



US00D895404S

(12) **United States Design Patent** (10) **Patent No.:** **US D895,404 S**
Lemieux et al. (45) **Date of Patent:** **** Sep. 8, 2020**

(54) **SUPPORT STAND FRAME EXTRUSION**
(71) Applicant: **ID Technology LLC**, Ft. Worth, TX (US)
(72) Inventors: **Francois Lemieux**, Quebec (CA); **Mark T. Snedecor**, Fort Worth, TX (US)
(73) Assignee: **ID TECHNOLOGY LLC**, Fort Worth, TX (US)
(**) Term: **15 Years**
(21) Appl. No.: **29/693,134**
(22) Filed: **May 31, 2019**
(51) **LOC (12) Cl.** **08-05**
(52) **U.S. Cl.**
USPC **D8/354**; D25/124; D15/145
(58) **Field of Classification Search**
USPC D8/354, 373-377; D25/35, 61, 102, D25/119-123, 124-125; D20/43, 44; D15/145
CPC .. B65B 65/00; B65C 9/00; B65C 9/08; B65C 9/26
See application file for complete search history.

D382,653 S * 8/1997 Colitto D25/122
D395,525 S * 6/1998 Rinot D25/122
D410,290 S * 5/1999 Gabriele D25/122
D424,213 S * 5/2000 Chaney D25/122
D455,841 S * 4/2002 Fisher D25/61
D514,712 S * 2/2006 Fannan D25/124
D548,063 S * 8/2007 Allen D8/377
D587,731 S * 3/2009 Niedermeyer D25/124
D596,319 S * 7/2009 Koehn D25/122
D598,574 S * 8/2009 Bergmann D25/122
D610,715 S * 2/2010 Koehn D25/124
D611,169 S * 3/2010 Harder D25/122
D631,171 S * 1/2011 Konrad D25/124
D666,328 S * 8/2012 Morton D25/122
D666,329 S * 8/2012 Morton D25/122
D673,343 S * 12/2012 Thiele D25/119
D732,698 S * 6/2015 Meng D25/61
D777,814 S * 1/2017 Verhoeven D15/145
2008/0054238 A1 3/2008 Craig
2010/0206364 A1* 8/2010 Armstrong E06B 9/52
136/252
2020/0123840 A1* 4/2020 Koster E06B 1/36

* cited by examiner

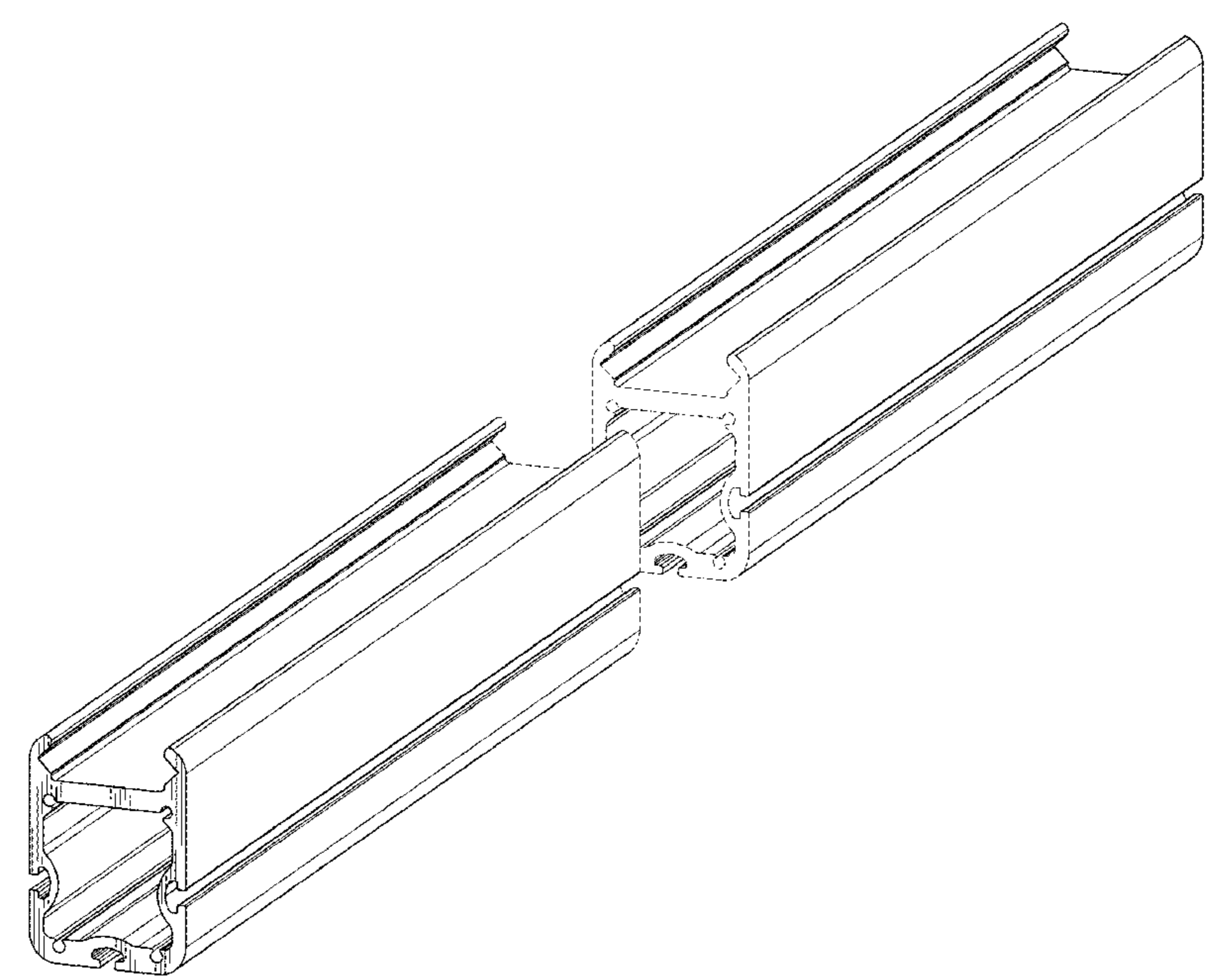
Primary Examiner — Llorelys Martinez
(74) *Attorney, Agent, or Firm* — Thompson Hine LLP

(57) **CLAIM**
The ornamental design for a support stand frame extrusion, as shown and described.

(56) **References Cited**
U.S. PATENT DOCUMENTS
D245,708 S * 9/1977 Dallaire D25/122
D251,451 S * 3/1979 Toder D25/121
D301,067 S * 5/1989 Dallaire D25/124
D324,506 S * 3/1992 Phillips D25/119
D330,264 S * 10/1992 Valentin D25/124
D330,431 S * 10/1992 Wang D25/119
D330,433 S * 10/1992 Valentin D25/124
D378,424 S * 3/1997 Leonelli D25/122
D382,652 S * 8/1997 Colitto D25/122

DESCRIPTION
FIG. 1 is a perspective view of a support stand frame extrusion according to our new design; and, FIG. 2 is an end view. The support stand frame extrusion is shown with a symbolic break in its length. The appearance of any portion of the support stand frame extrusion between the break lines forms no part of the claimed design.

1 Claim, 2 Drawing Sheets



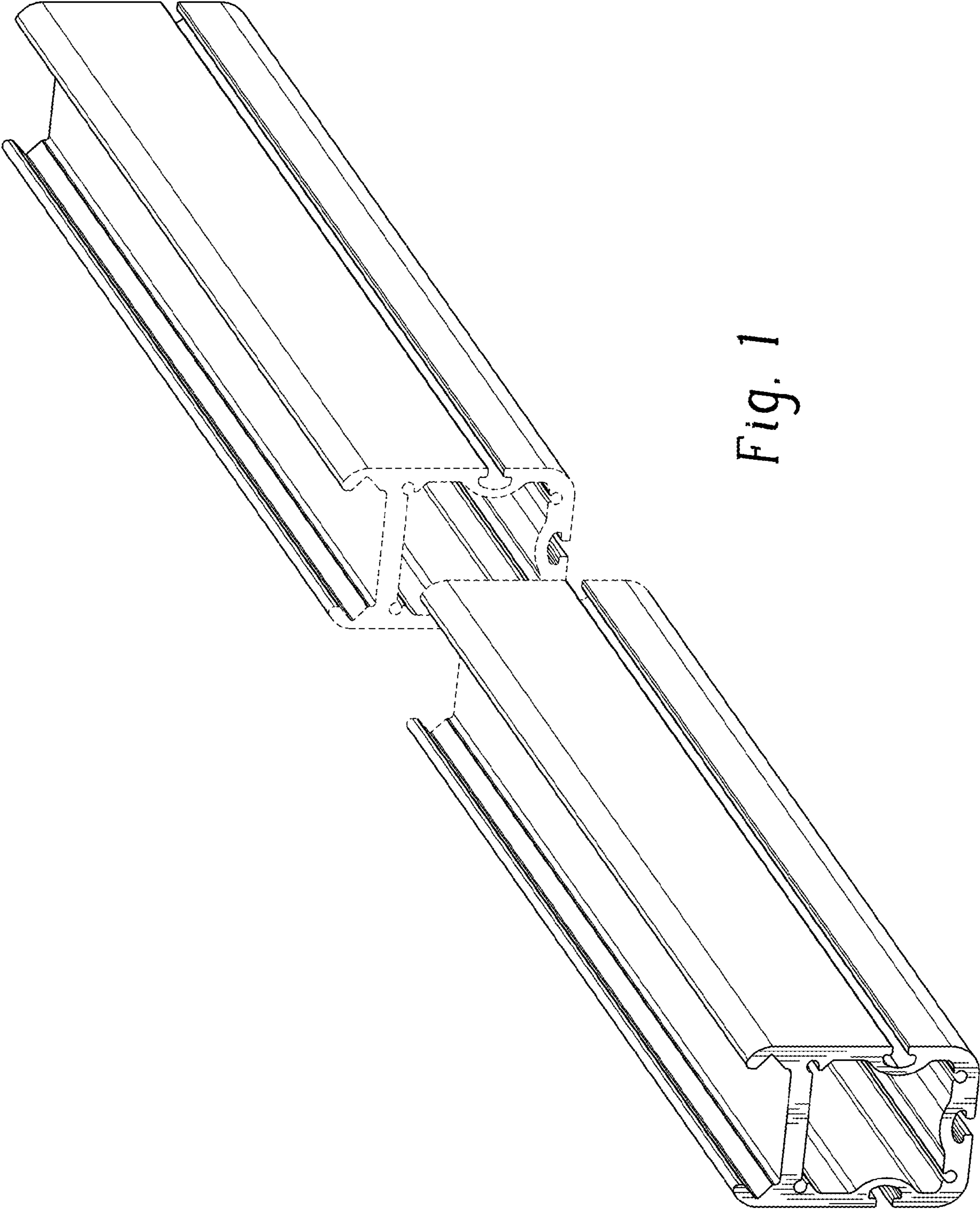


Fig. 1

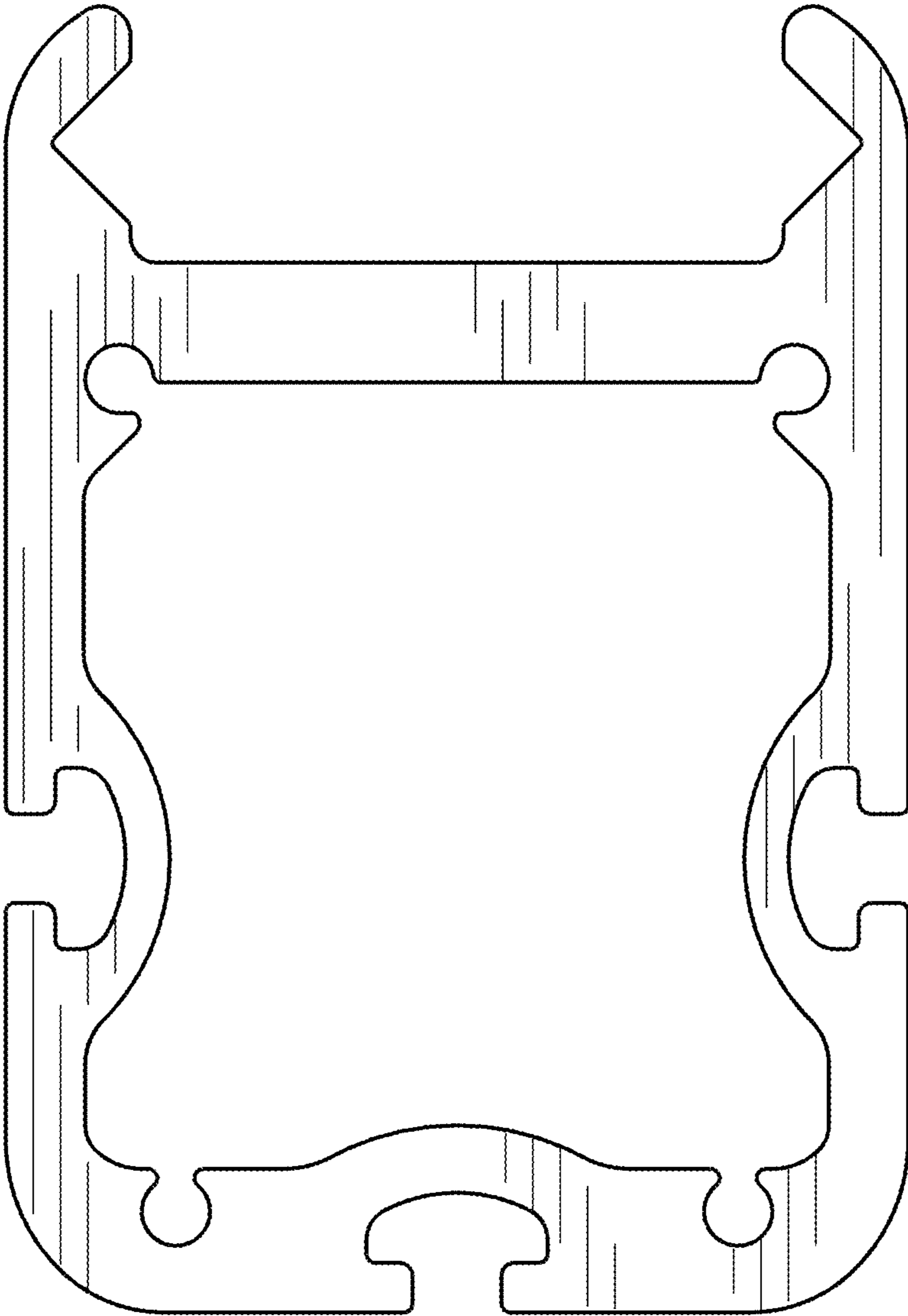


Fig. 2