



US00D895403S

(12) **United States Design Patent** (10) **Patent No.:** **US D895,403 S**  
**Fox** (45) **Date of Patent:** **\*\* Sep. 8, 2020**

(54) **RAFTER BRACKET**

OTHER PUBLICATIONS

(71) Applicant: **FOX HARDWOOD LUMBER COMPANY, L.L.C.**, Franklin, TN (US)

Joist Hangers JH-10, posted at cuttingedgemetals.com, posting date not given, [online], [site visited Jul. 24, 2020]. Available from Internet, URL: <https://www.cuttingedgemetals.com/custom-joist-hangers> (Year: 2020).\*

(72) Inventor: **Samuel Fox**, Franklin, TN (US)

Simpson Strong Tie LUS24 Joist Hanger, posted at amazon.com, posting date Apr. 1, 2004, [online], [site visited Jul. 24, 2020]. Available from Internet, URL: <https://www.amazon.com/Simpson-Strong-LUS24-2-Inch-4-Inch/dp/B000VYD2SC> (Year: 2004).\*

(73) Assignee: **Fox Hardwood Lumber Company, L.L.C.**, Franklin, TN (US)

(\*\*) Term: **15 Years**

(Continued)

(21) Appl. No.: **29/679,995**

*Primary Examiner* — George D. Kirschbaum

*Assistant Examiner* — Maria J Edwards

(22) Filed: **Feb. 12, 2019**

(74) *Attorney, Agent, or Firm* — Shane Cortesi

(51) **LOC (12) Cl.** ..... **08-05**

(52) **U.S. Cl.**  
USPC ..... **D8/354**

(57) **CLAIM**

The ornamental design for a rafter bracket, as shown and described.

(58) **Field of Classification Search**  
USPC ..... D8/354  
CPC .. F16B 2/005; F16B 2/10; F16B 2/185; A47B 45/00; A47B 81/00

**DESCRIPTION**

See application file for complete search history.

FIG. 1 is a front perspective view of a rafter bracket in accordance with the present invention.

FIG. 2 is a bottom perspective view thereof.

FIG. 3 is another bottom perspective view thereof.

FIG. 4 is a front perspective view thereof.

FIG. 5 is a front elevation view thereof.

FIG. 6 is a rear elevation view thereof.

FIG. 7 is a left side elevation view thereof.

FIG. 8 is a right side elevation view thereof.

FIG. 9 is a top plan view thereof.

FIG. 10 is a bottom plan view thereof; and,

FIG. 11 is a front perspective view thereof.

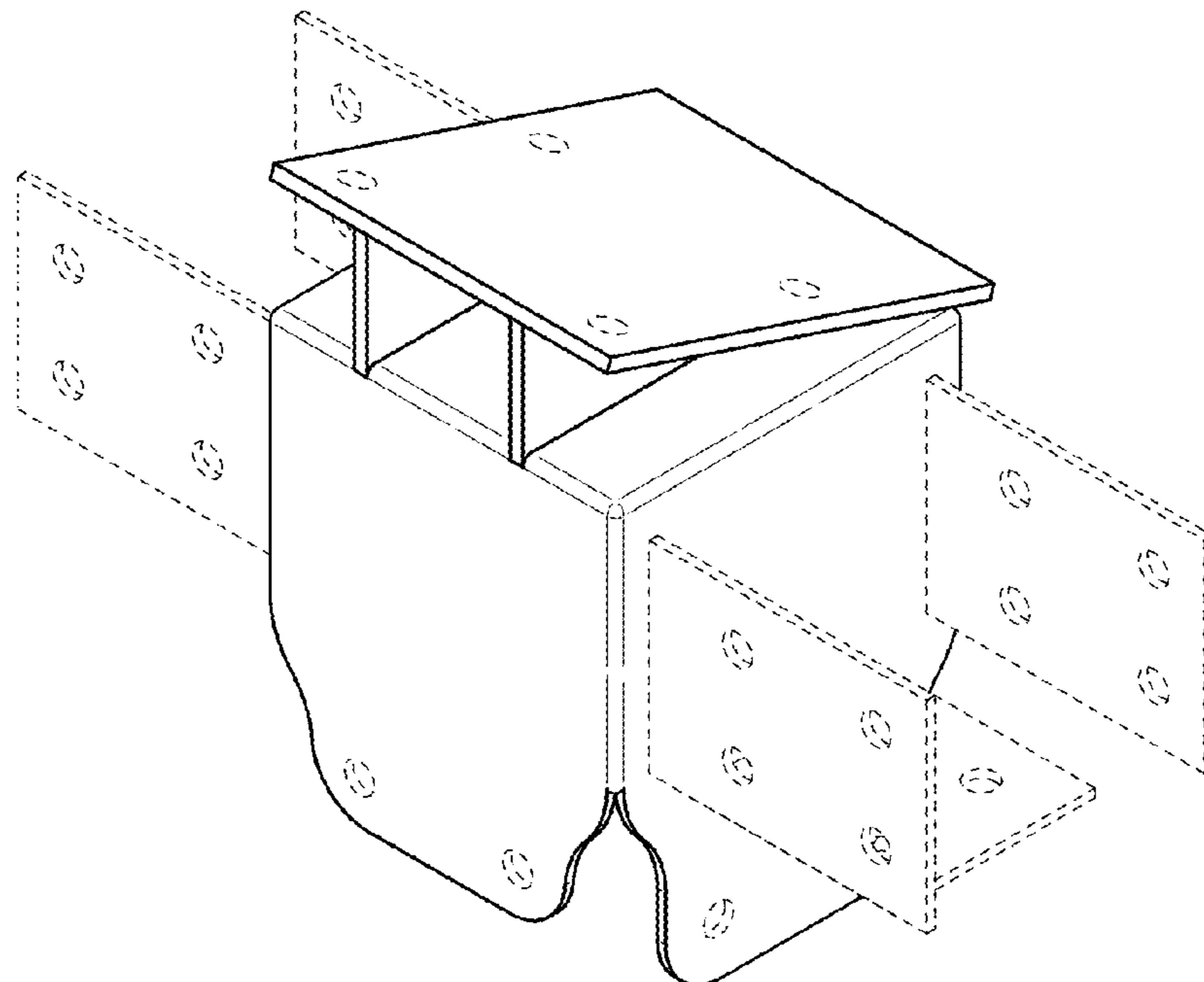
The broken lines shown in the Figures depict environmental subject matter only and are not part of the claimed design.

(56) **References Cited**

**U.S. PATENT DOCUMENTS**

1,728,981	A *	9/1929	Ropp	.....	E04B 1/2612
					52/702
1,785,790	A *	12/1930	Ropp	.....	E04B 1/2612
					52/702
D267,308	S *	12/1982	France	.....	D25/61
D574,220	S *	8/2008	Svedberg	.....	D8/349
D619,879	S *	7/2010	McCarthy	.....	D8/354
D794,420	S *	8/2017	Emmons	.....	D8/349
10,100,508	B1	10/2018	Fox		
10,202,766	B1	2/2019	Fox		
D858,255	S *	9/2019	Fox	.....	D8/354
D887,251	S *	6/2020	Fox	.....	D8/354

**1 Claim, 11 Drawing Sheets**



(56)

**References Cited**

OTHER PUBLICATIONS

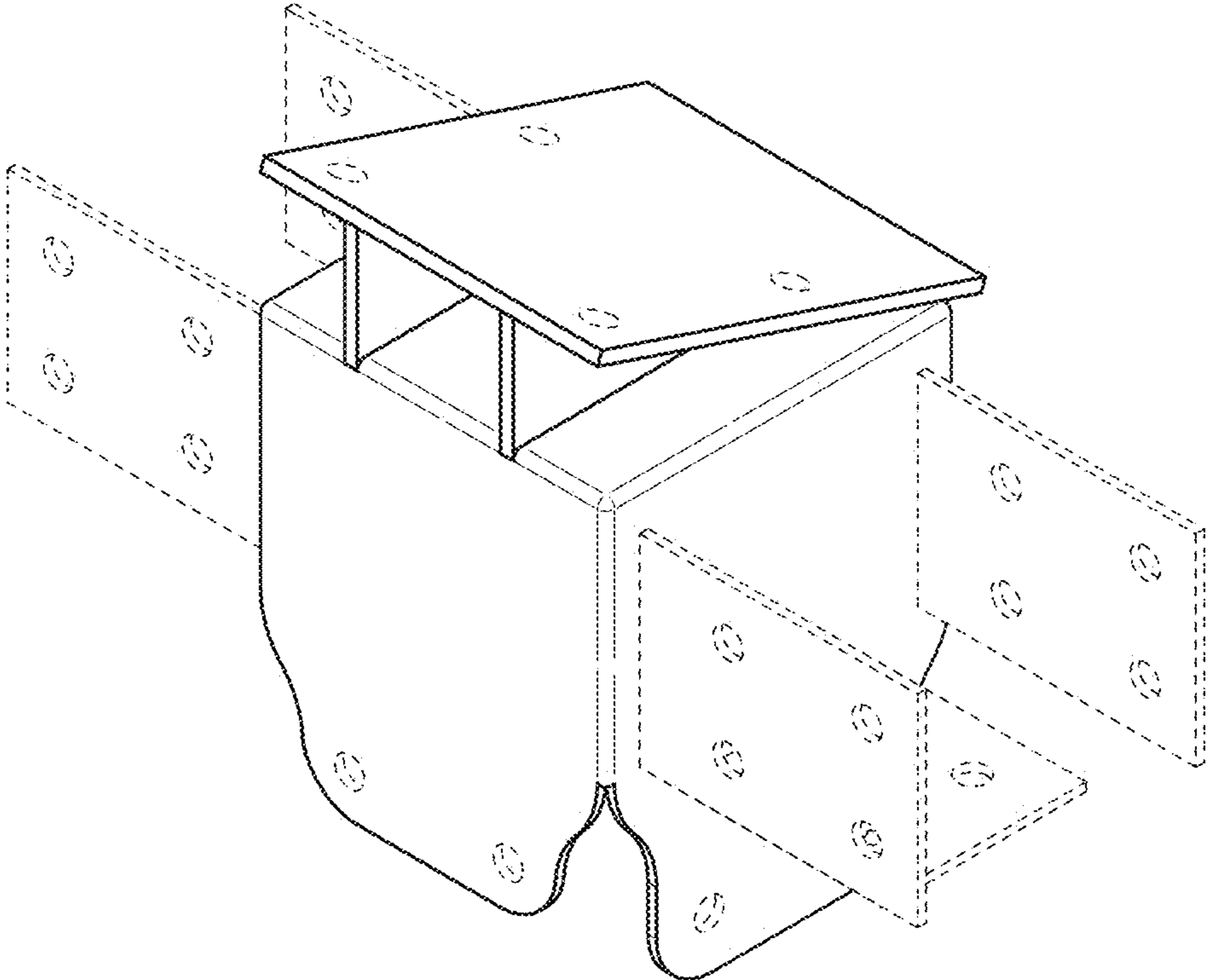
Simpson Strong-Tie VPA Galvanized Variable Pitch Connector, posted at homedep.com, posting date unknown, [online], [site visited Jul. 24, 2020]. Available from Internet, URL: <https://www.homedepot.com/p/Simpson-Strong-Tie-VPA-Galvanized-Variable-Pitch-Connector-for-1-1-2-in-Engineered-Wood-VPA2/204842454> (Year: 2020).\*

Design U.S. Appl. No. 29/661,303, filed Aug. 27, 2018.

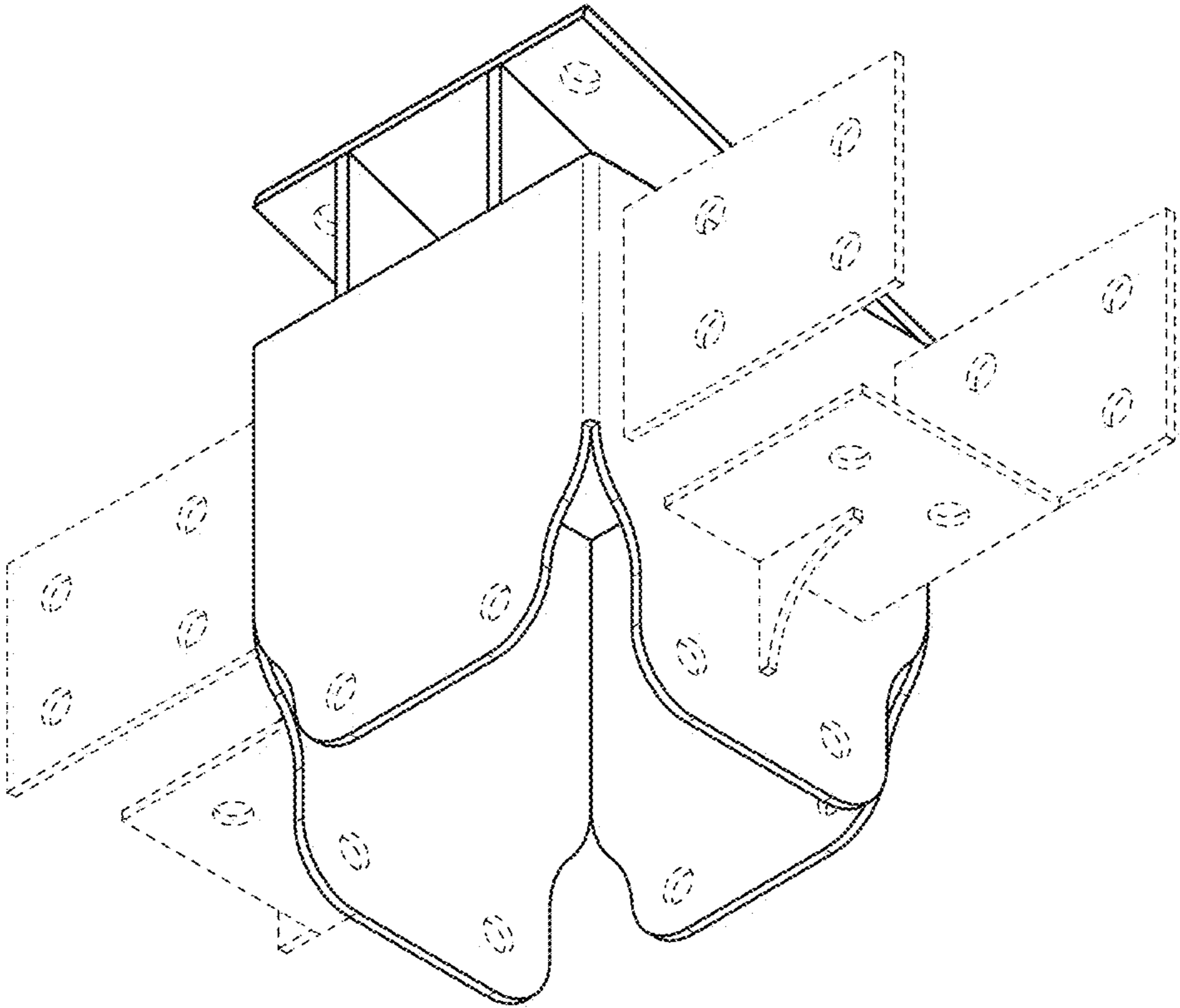
Design U.S. Appl. No. 29/661,306, filed Aug. 27, 2018.

U.S. Appl. No. 16/273,870, filed Feb. 12, 2019.

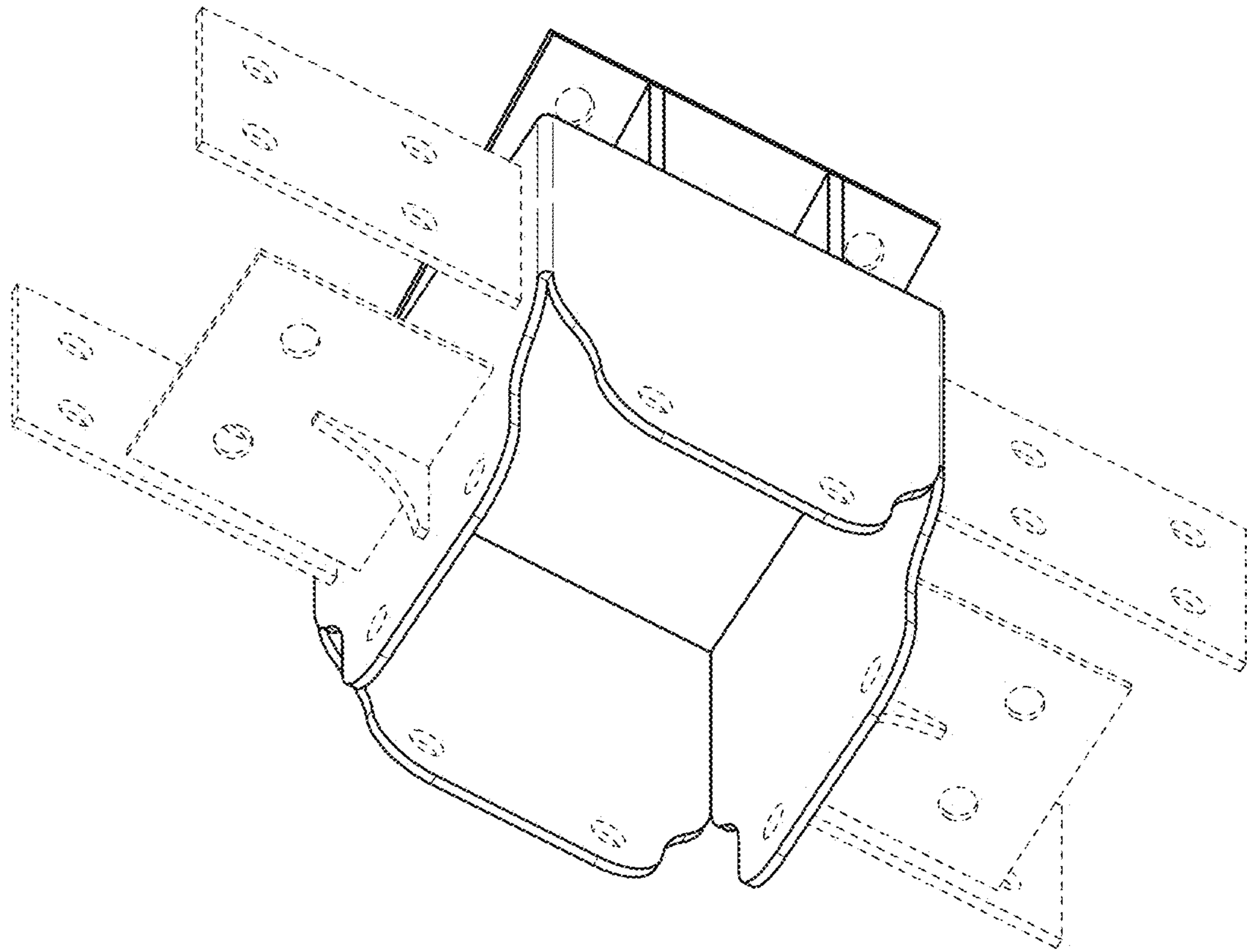
\* cited by examiner



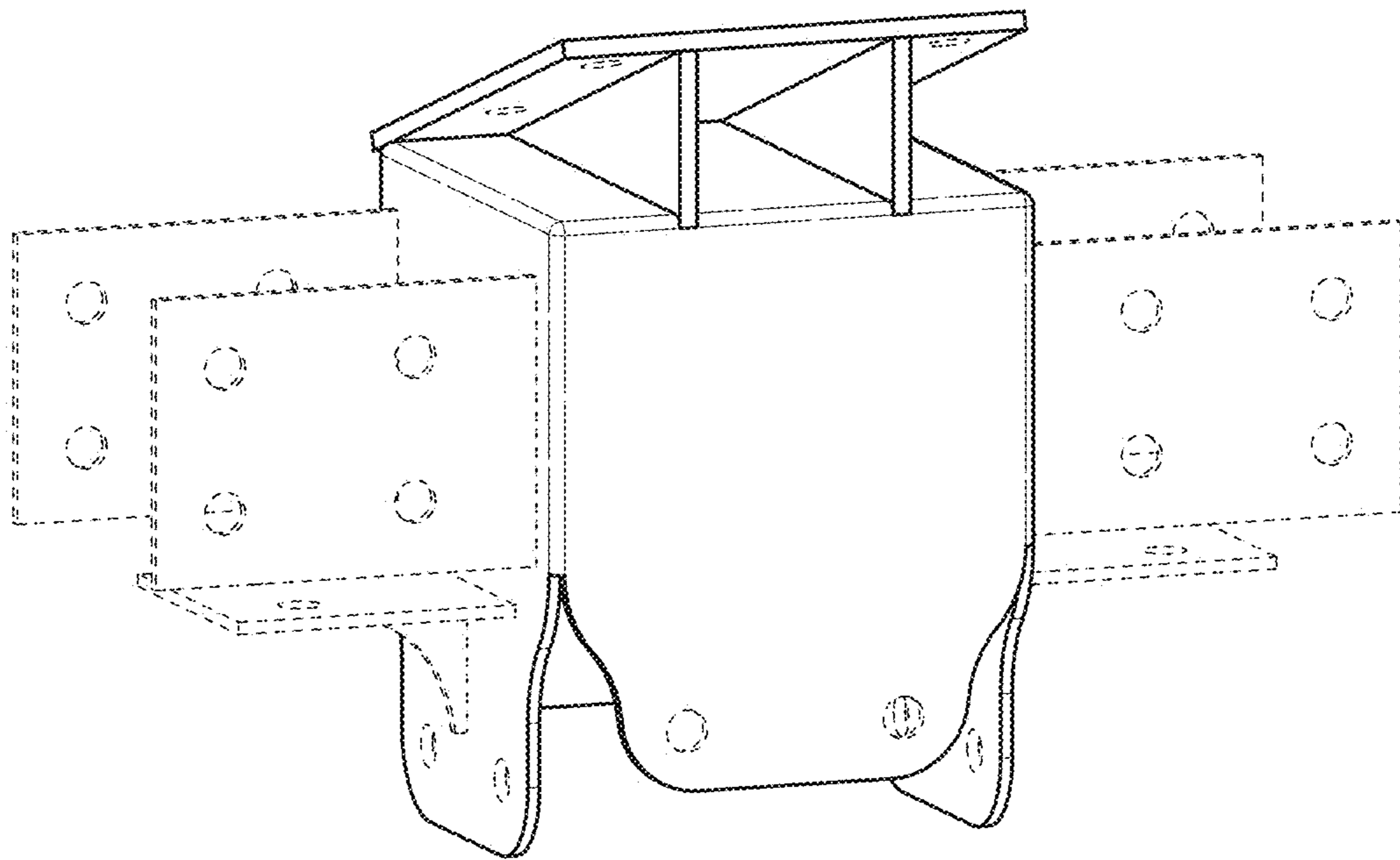
*FIG. 1*



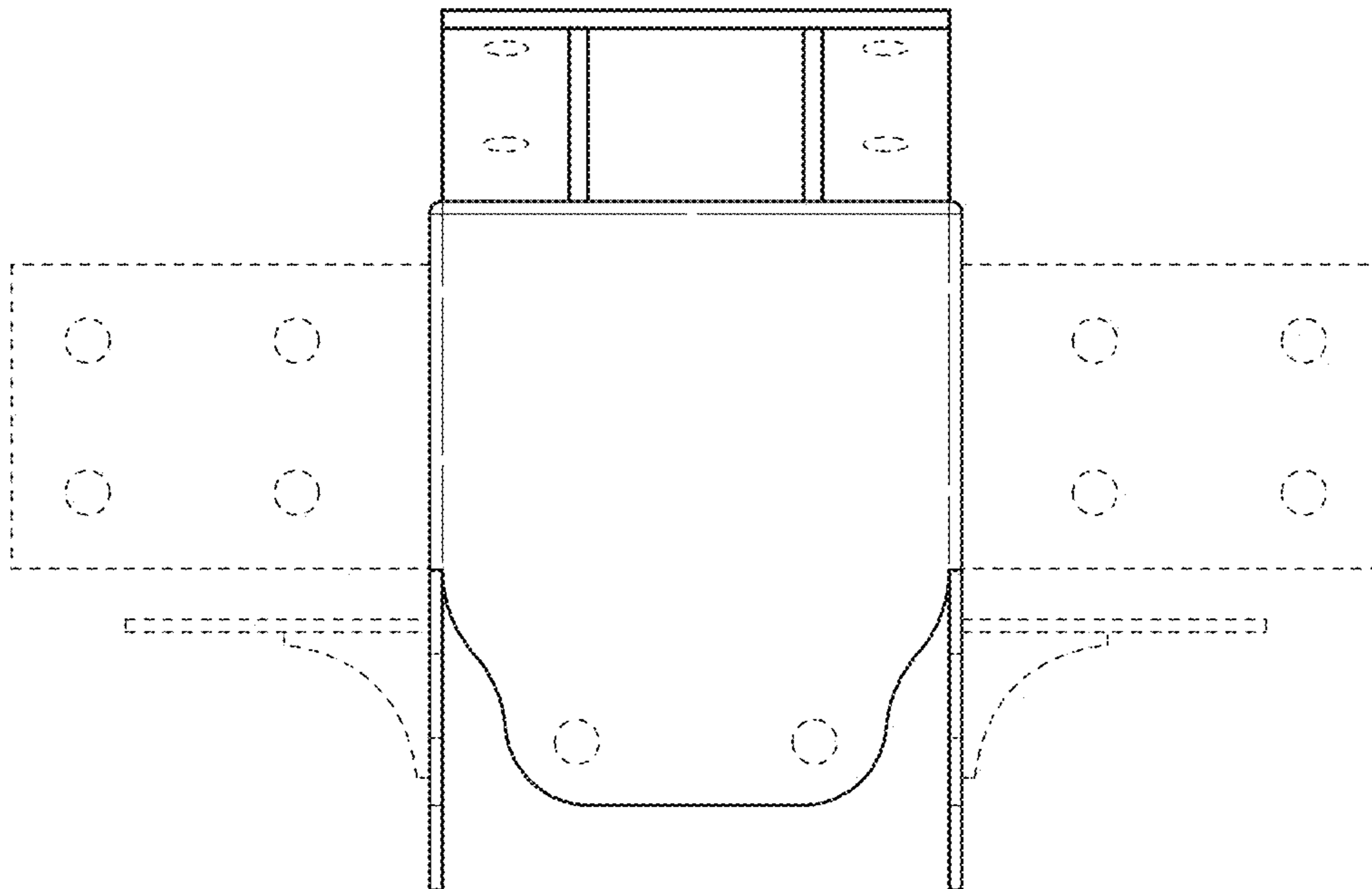
*FIG. 2*



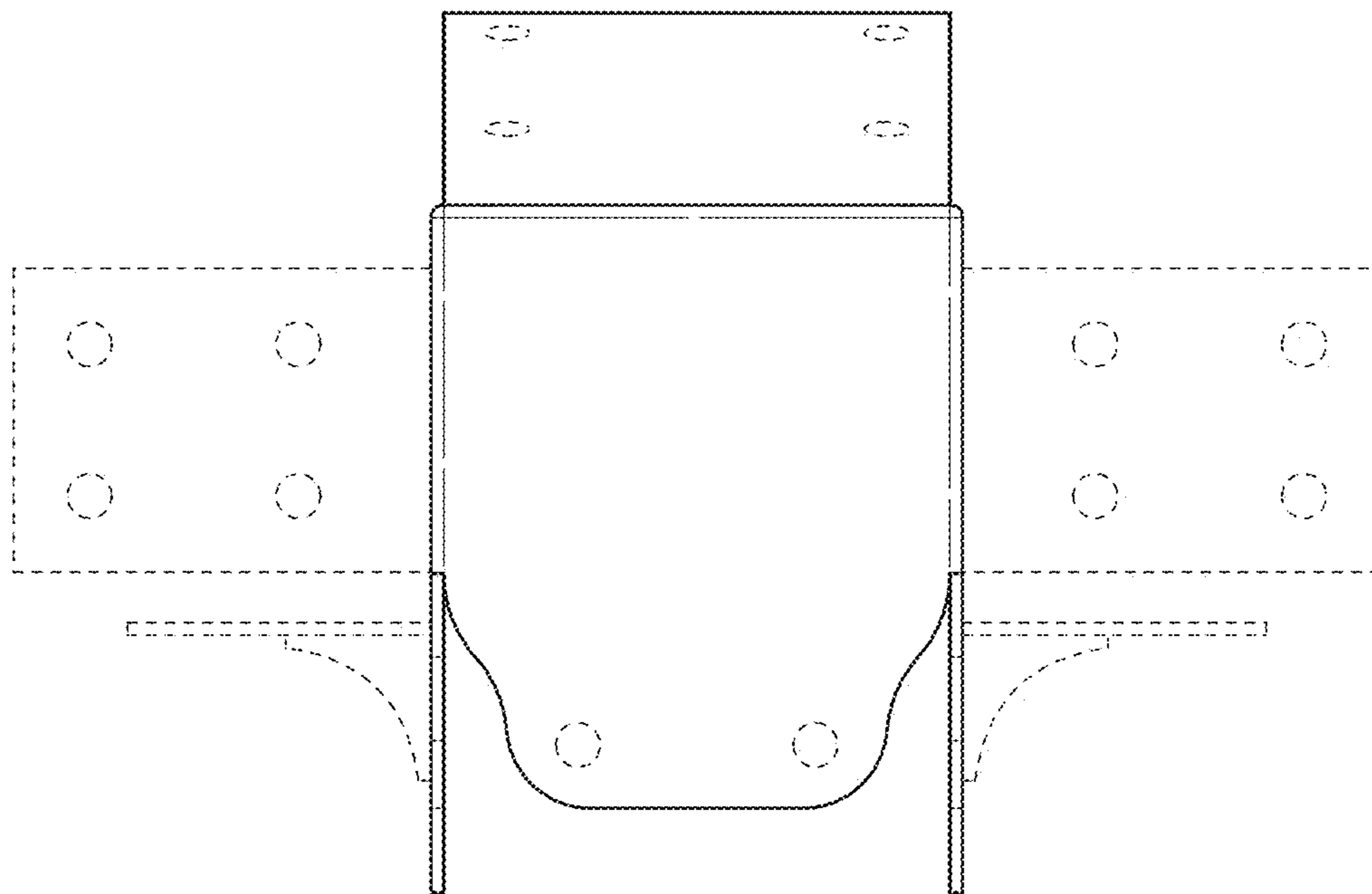
*FIG. 3*



*FIG. 4*

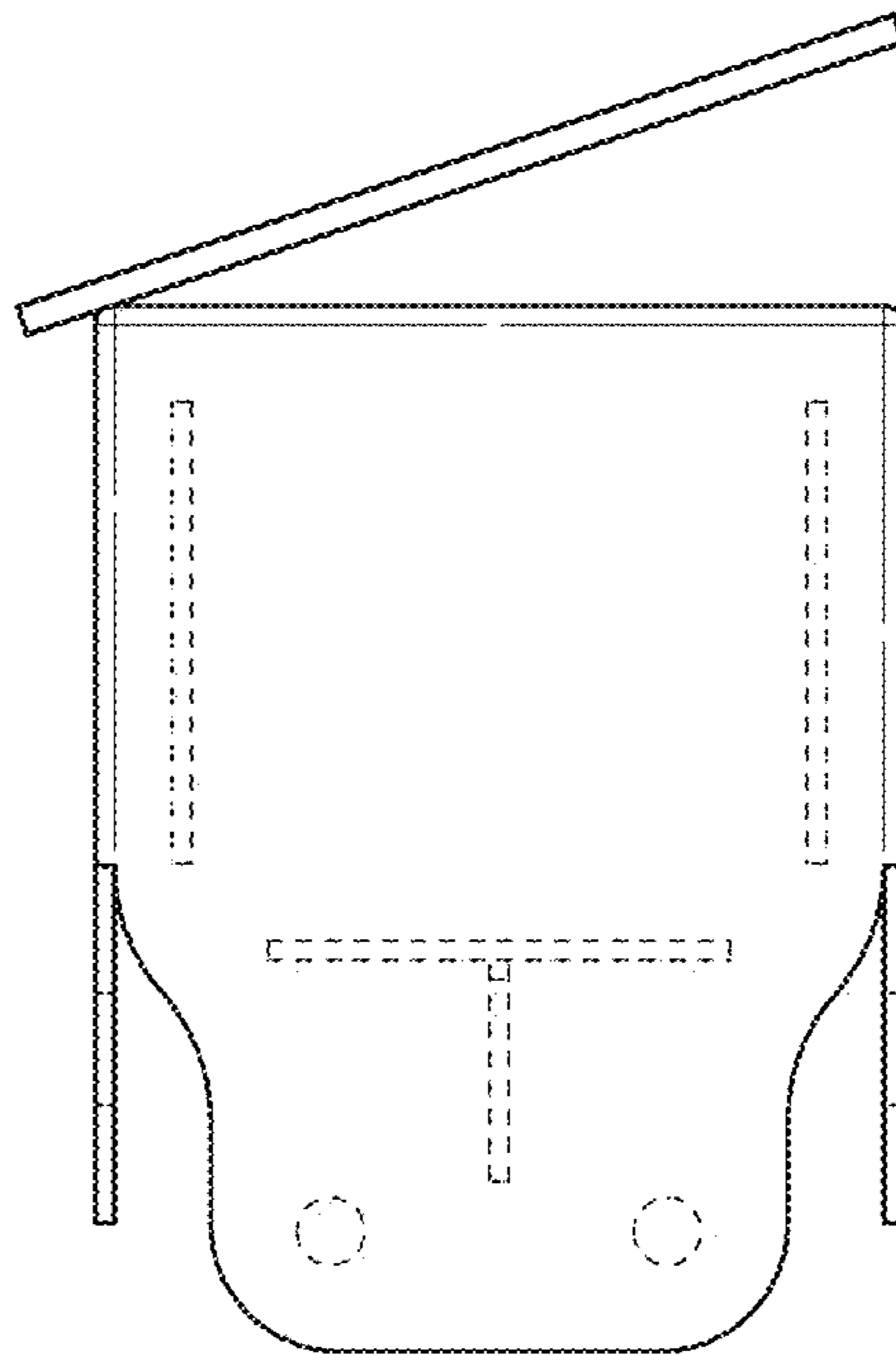


*FIG. 5*

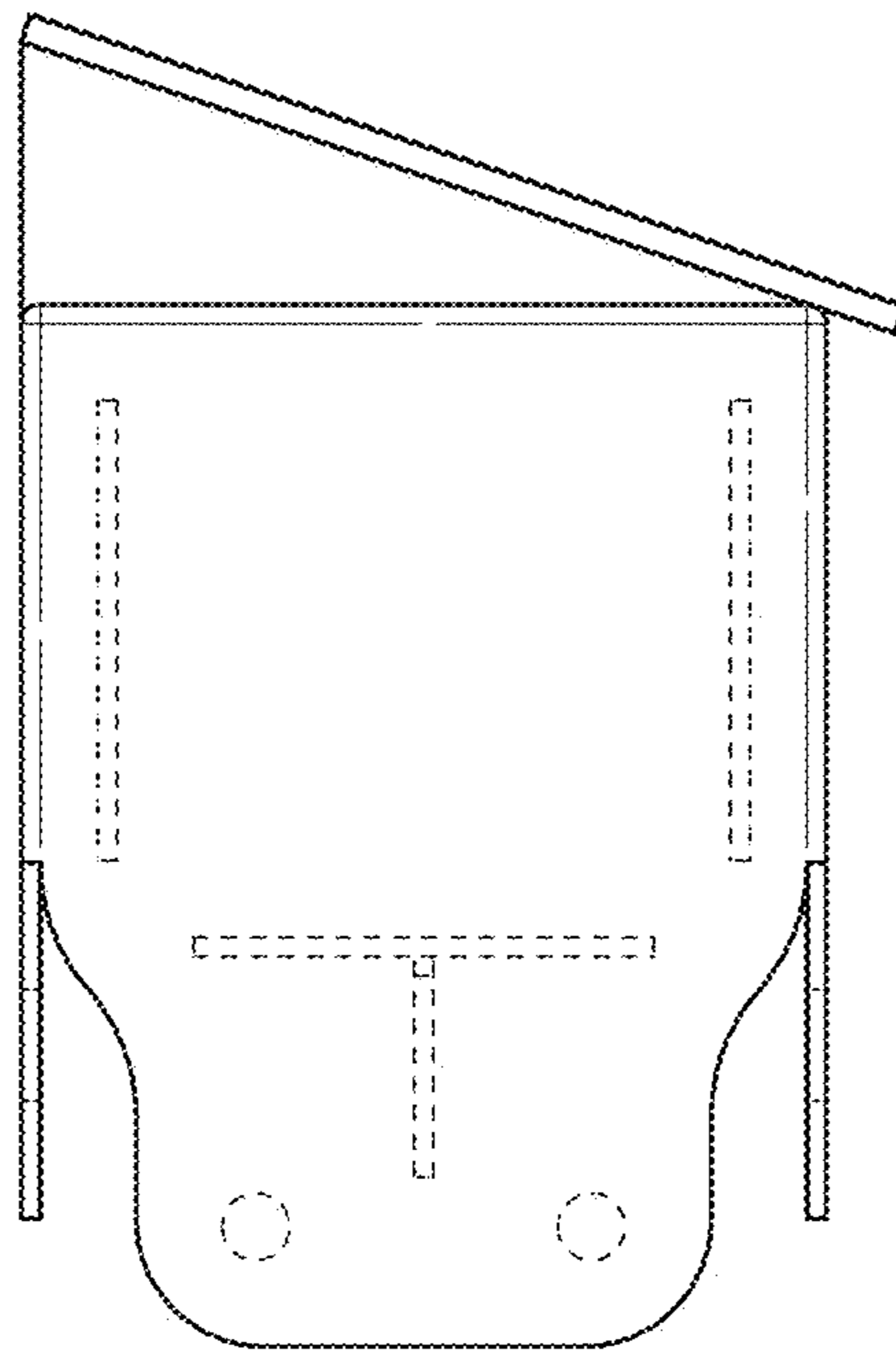


*FIG. 6*

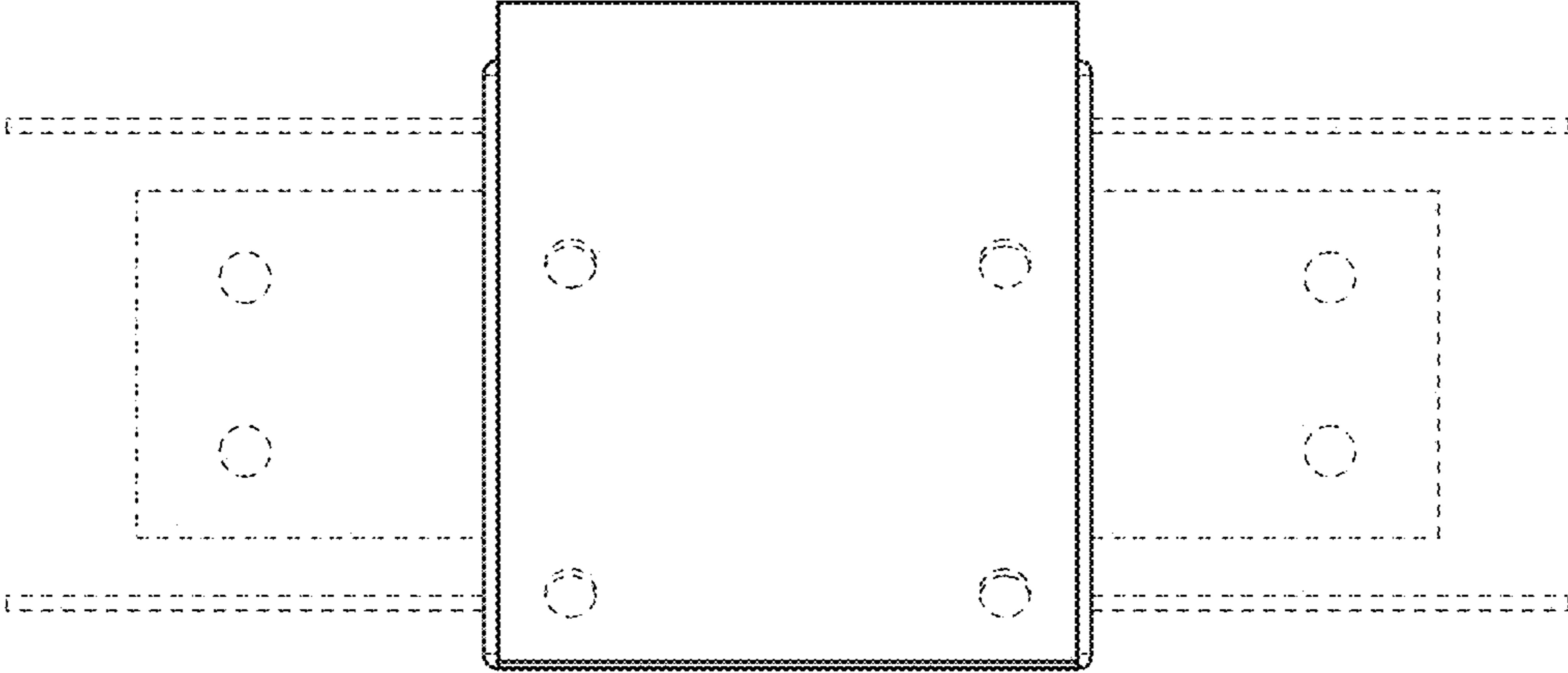




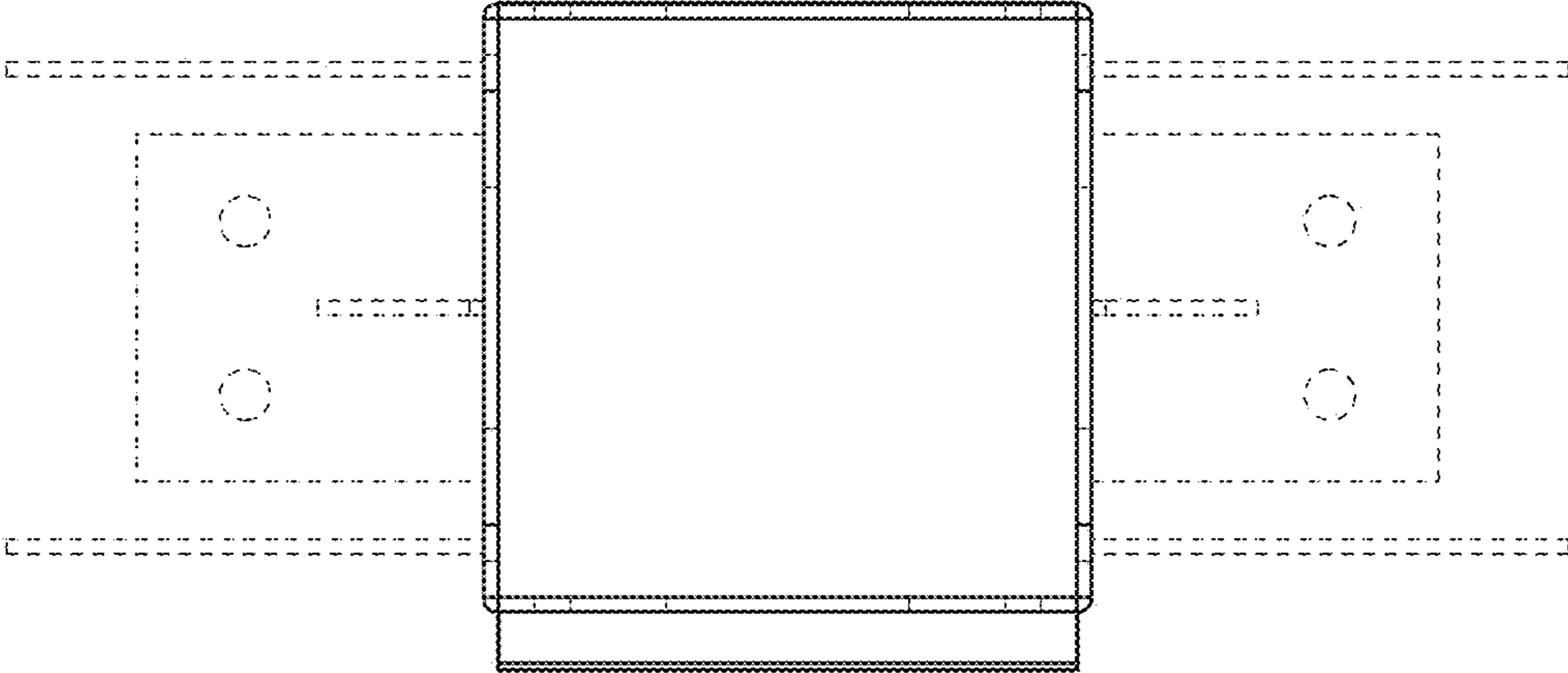
*FIG. 7*



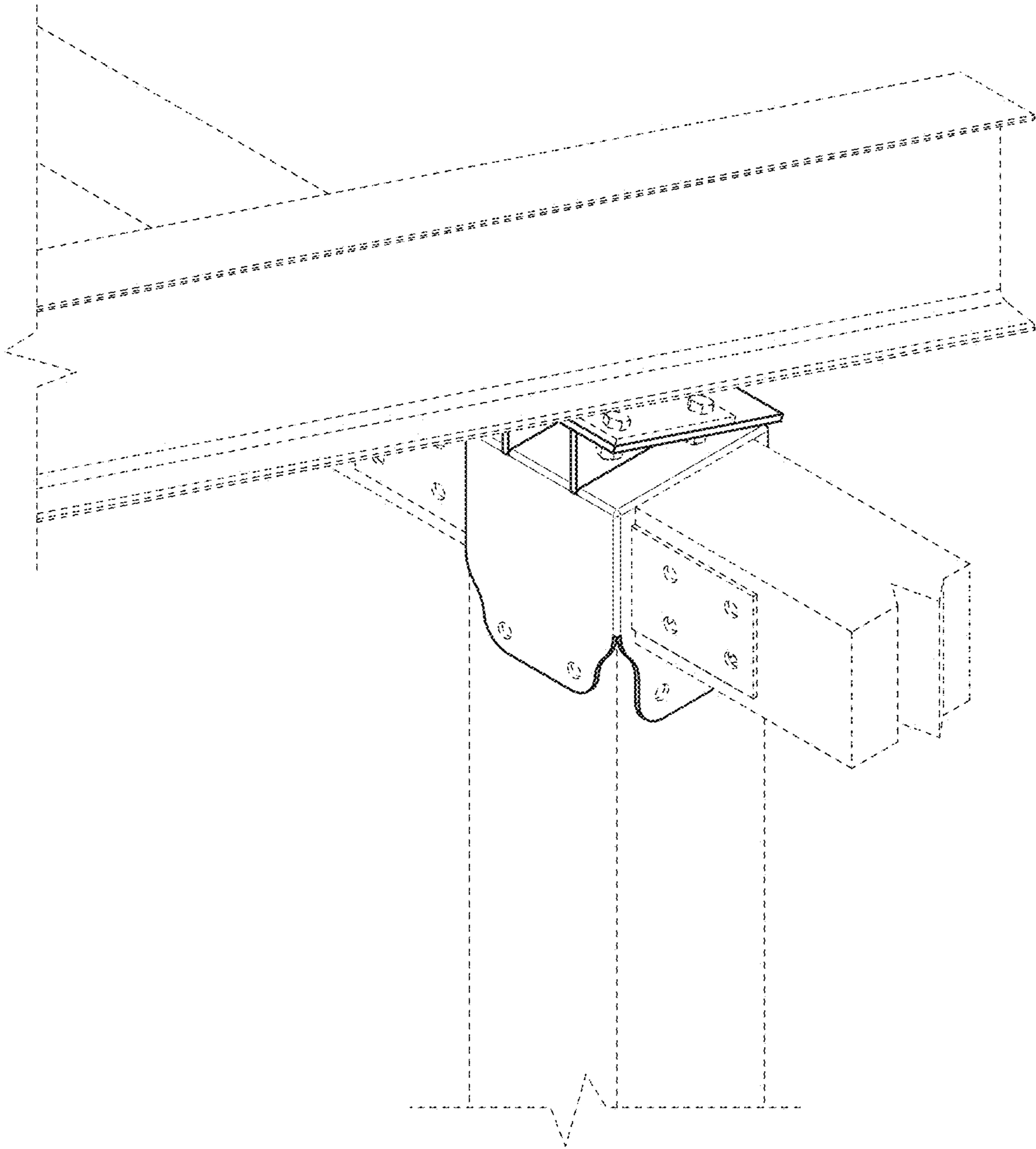
*FIG. 8*



*FIG. 9*



*FIG. 10*



*FIG. 11*