



US00D895399S

(12) **United States Design Patent** (10) **Patent No.:** **US D895,399 S**
Ferreira (45) **Date of Patent:** **** Sep. 8, 2020**

- (54) **VALVE BRACKET**
- (71) Applicant: **Symmons Industries, Inc.**, Braintree, MA (US)
- (72) Inventor: **Steven Ferreira**, North Dighton, MA (US)
- (73) Assignee: **Symmons Industries, Inc.**, Braintree, MA (US)
- (**) Term: **15 Years**
- (21) Appl. No.: **29/691,310**
- (22) Filed: **May 15, 2019**
- (51) **LOC (12) Cl.** **08-08**
- (52) **U.S. Cl.**
USPC **D8/349**
- (58) **Field of Classification Search**
USPC D8/14, 71, 72, 349, 354, 355, 371, 380, D8/381, 382, 356, 363, 366, 373, 394, D8/396, 499
CPC F16B 2/12; F16B 2/065; F16B 7/00; F16B 7/04; F16B 7/0446; F16B 7/0486; F16L 3/02; F16L 3/10; F16L 3/1016; F16L 3/1091; F16M 13/022; H01Q 1/12; H01Q 1/1207; H01Q 1/1228; H01Q 1/125
See application file for complete search history.

- D700,834 S * 3/2014 Fievet D8/382
- 8,959,809 B2 * 2/2015 MacNeil G09F 7/18 16/403
- D776,514 S * 1/2017 Schroeder D8/354
- D803,663 S * 11/2017 Zou D8/349
- D832,087 S * 10/2018 Fievet D8/382
- D832,723 S * 11/2018 Dahill D10/64
- D848,820 S * 5/2019 Dahill D8/354
- D873,122 S * 1/2020 Cho D8/382

(Continued)

OTHER PUBLICATIONS

Amazon, Symmons RTS-076 Temptrol Rapid Install Bracket, May 3, 2019. URL: : https://www.amazon.com/dp/B07RF9GQ6Y/ref=cm_sw_em_r_mt_dp_U_DF0.Eb3HGREP8 (Year: 2019).*

Primary Examiner — Mark A Goodwin
Assistant Examiner — Benjamin M Weeks
(74) *Attorney, Agent, or Firm* — Goodwin Procter LLP

(57) **CLAIM**

The ornamental design for a valve bracket, as shown and described.

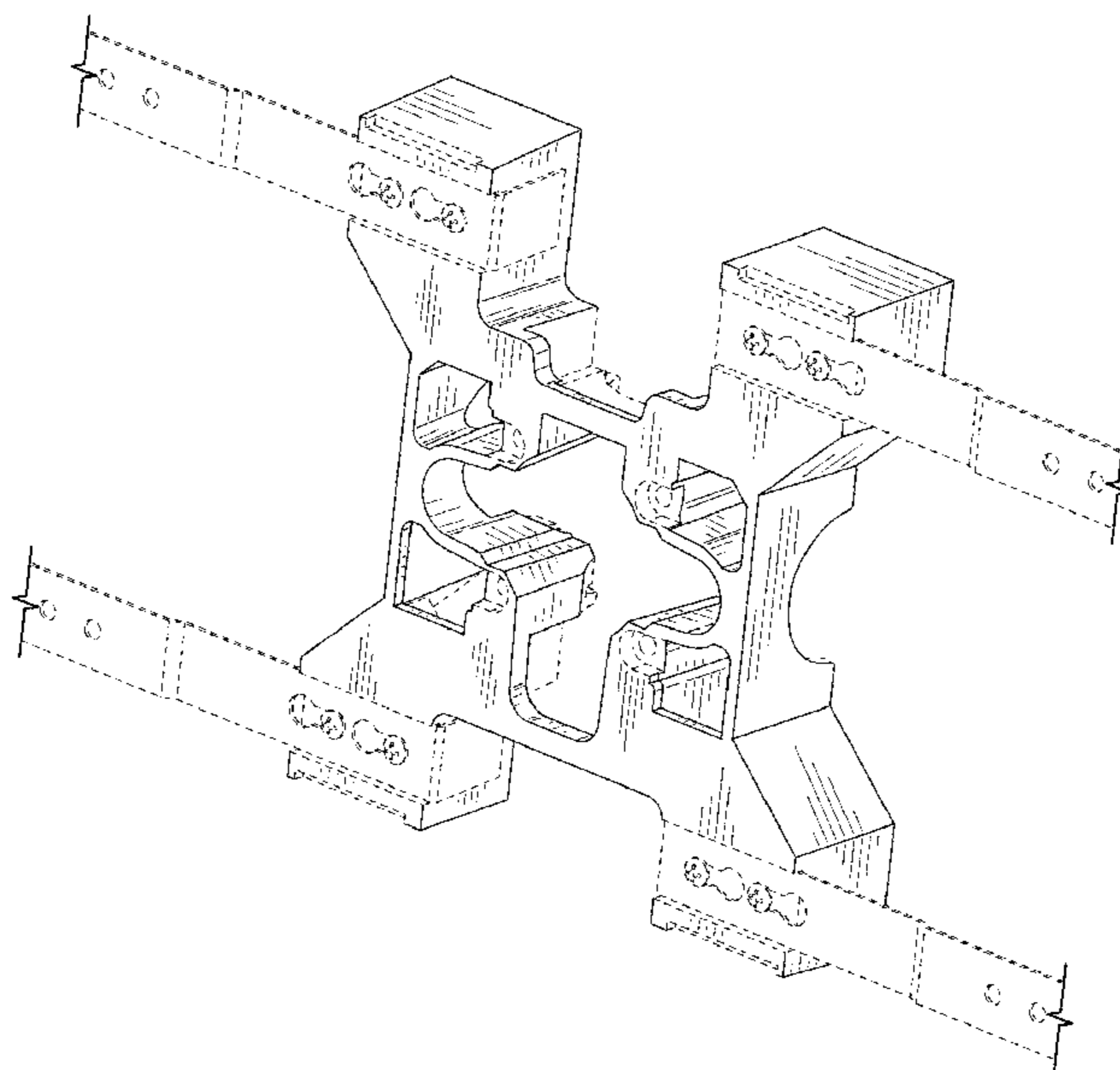
DESCRIPTION

FIG. 1 is a front perspective view of a valve bracket; FIG. 2 is a front view of the valve bracket; FIG. 3 is a rear view of the valve bracket; FIG. 4 is a right side view of the valve bracket; FIG. 5 is a left side view of the valve bracket; FIG. 6 is a top view of the valve bracket; FIG. 7 is a bottom view of the valve bracket; and, FIG. 8 is a rear perspective view of the valve bracket. The broken line showing of a valve bracket is included for the purpose of illustrating portions of the article and forms no part of the claimed design. The break lines shown in FIG. 1-3 and 6-8 are indicative of indeterminate length and form not part of the claimed design.

1 Claim, 4 Drawing Sheets

(56) **References Cited**
U.S. PATENT DOCUMENTS

- D523,803 S * 6/2006 Smith D12/223
- D523,920 S * 6/2006 Cresswell D21/804
- D560,470 S * 1/2008 Short D8/354
- D572,570 S * 7/2008 Terada D8/354
- D641,610 S * 7/2011 Sedalo D8/354
- D650,372 S * 12/2011 Molter D14/239
- D650,774 S * 12/2011 Molter D14/239
- D669,346 S * 10/2012 Jonsson D8/396
- D685,376 S * 7/2013 Kim D14/439



(56)

References Cited

U.S. PATENT DOCUMENTS

D885,949 S * 6/2020 Machijima D10/103
2005/0258321 A1 * 11/2005 Worrall F16M 13/027
248/201

* cited by examiner

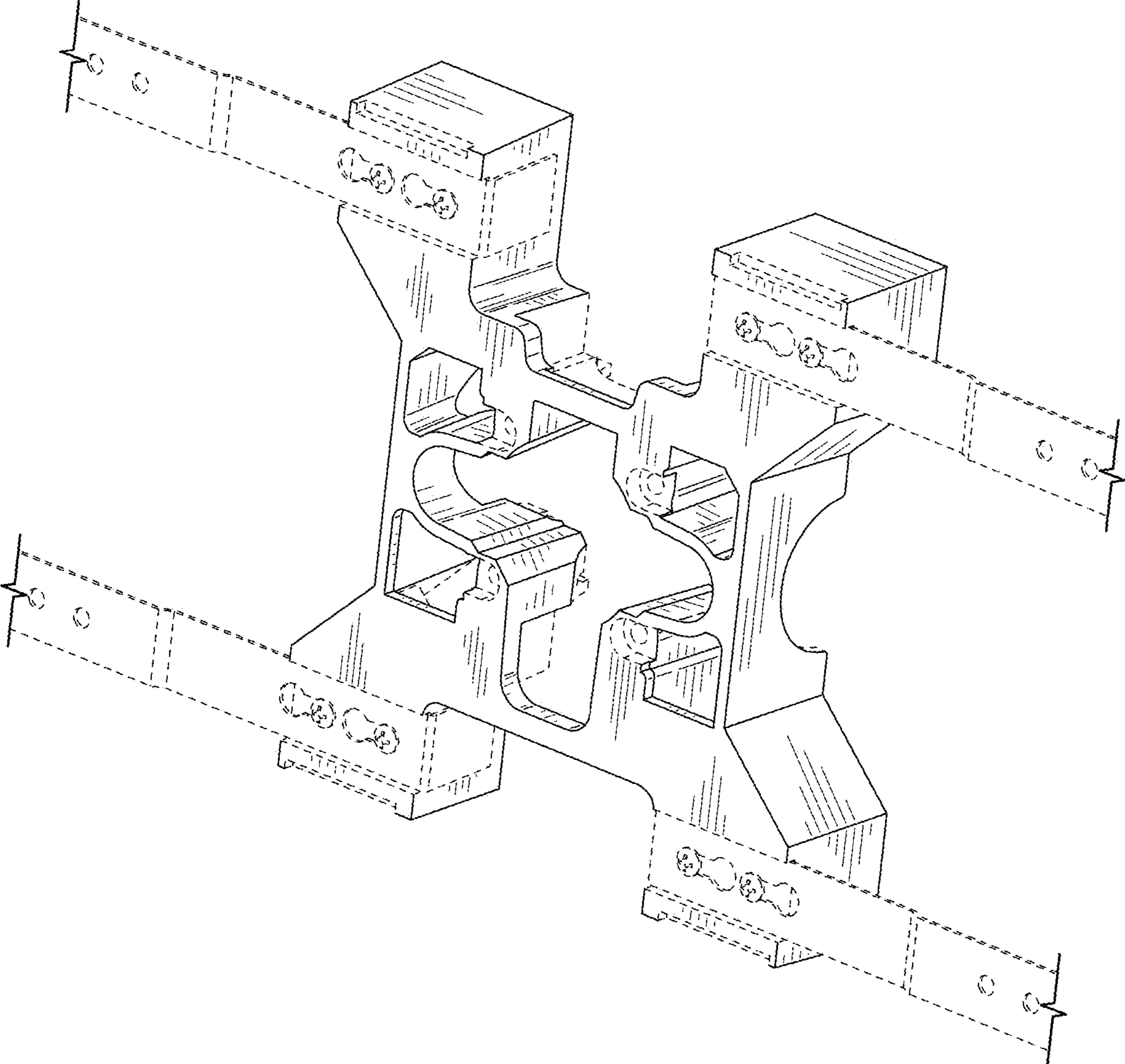


FIG. 1

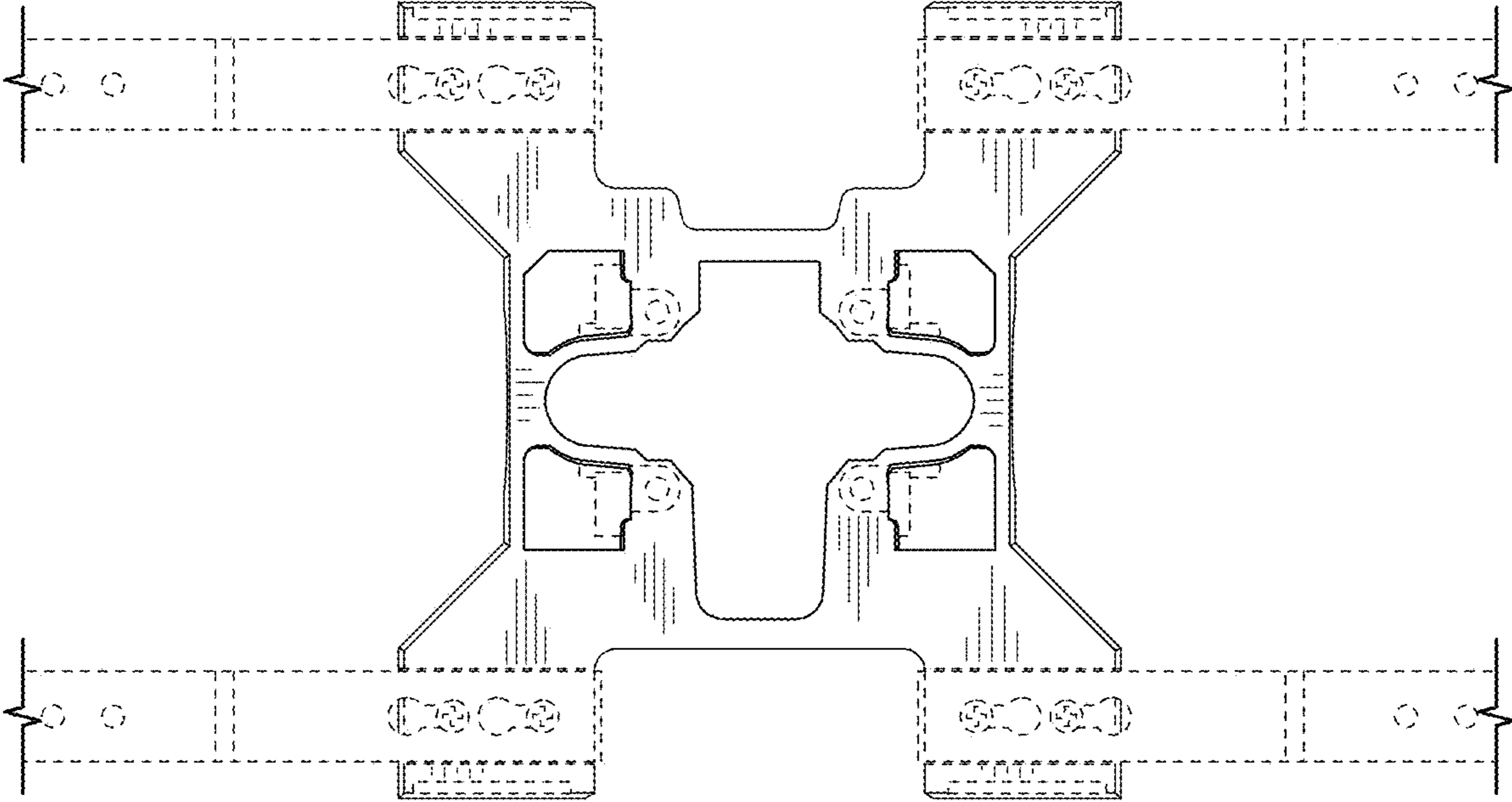


FIG. 2

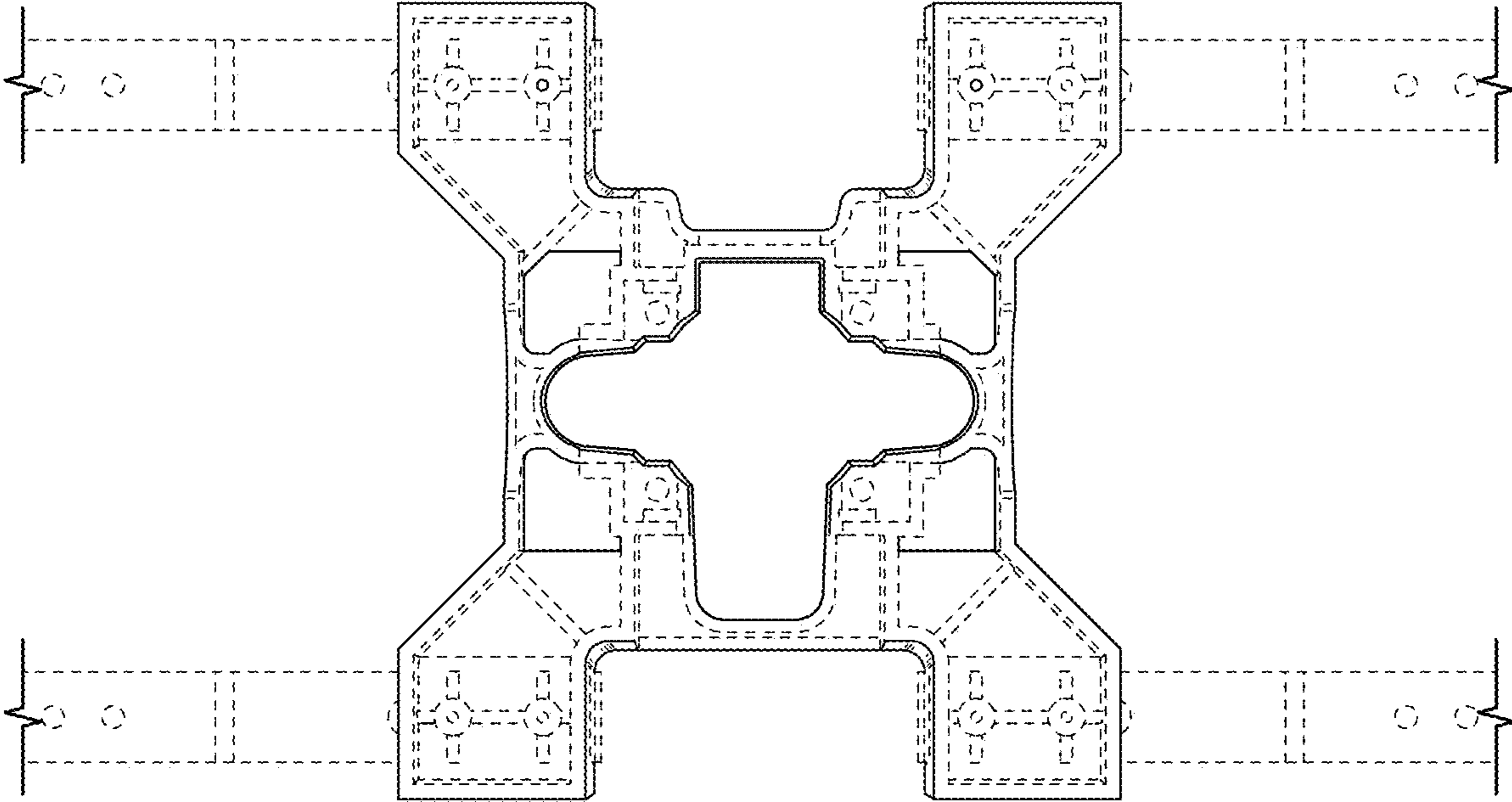


FIG. 3

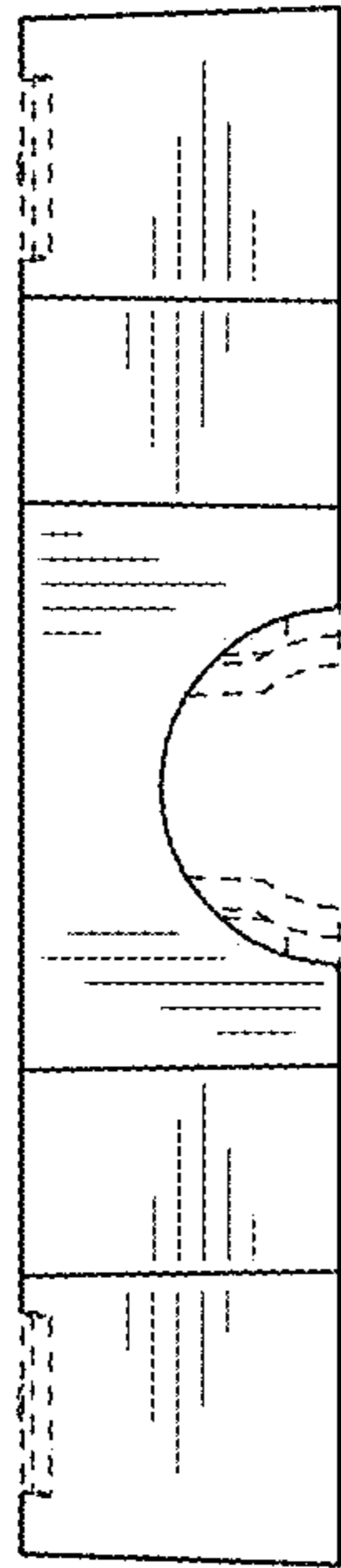


FIG. 4

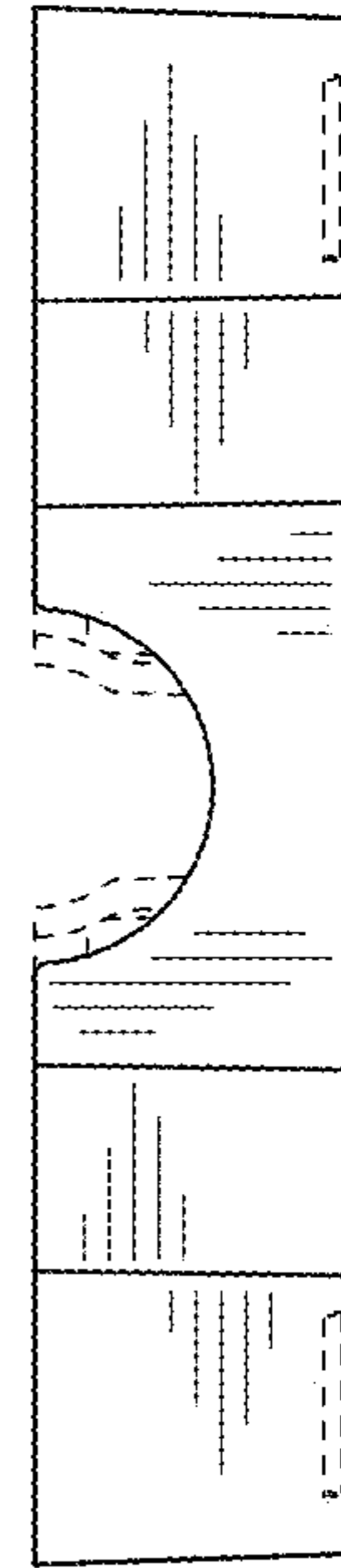


FIG. 5

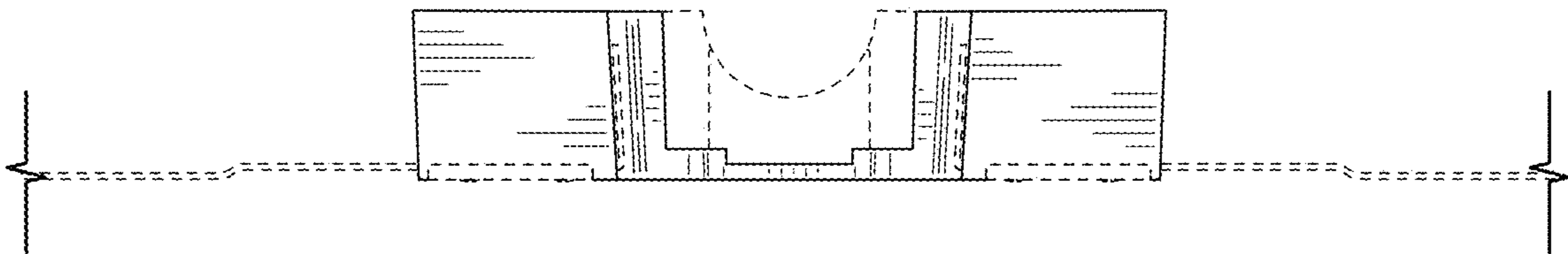


FIG. 6

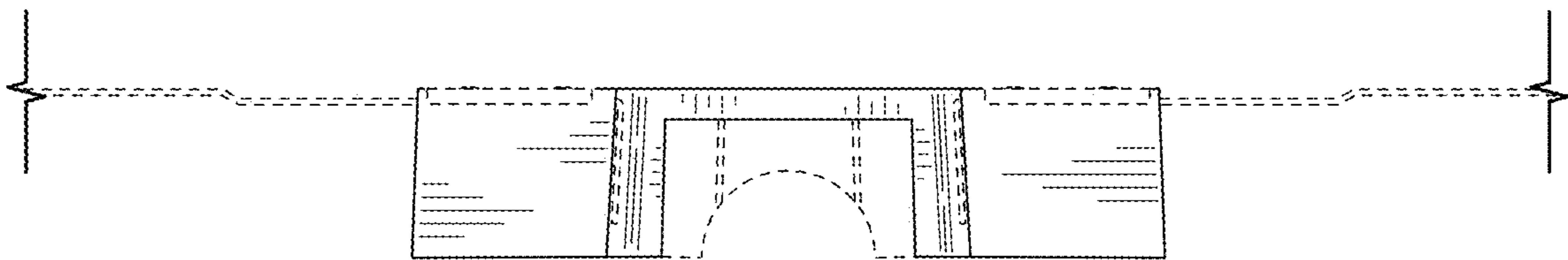


FIG. 7

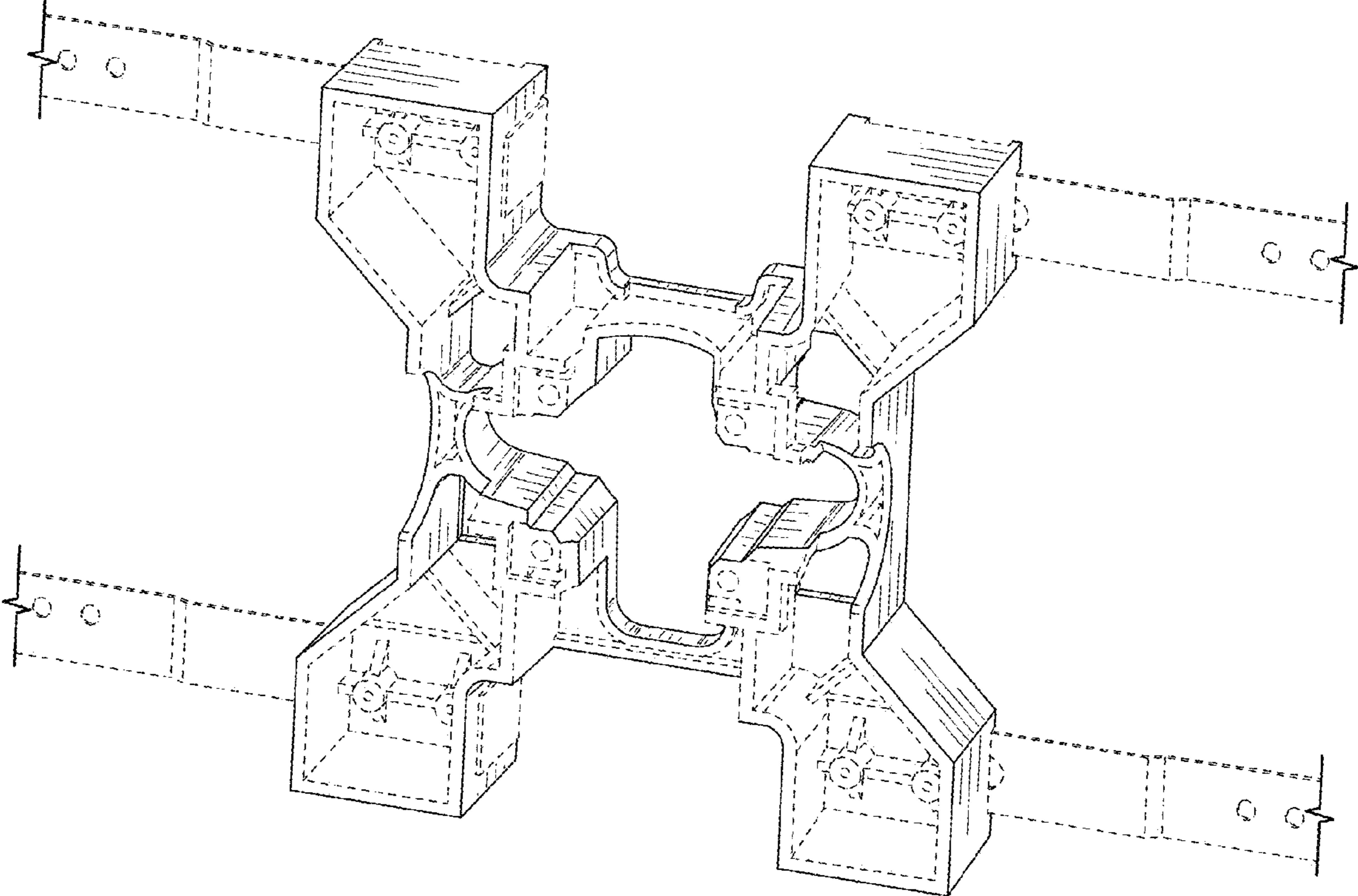


FIG. 8