



US00D895398S

(12) **United States Design Patent**
Almquist

(10) **Patent No.:** **US D895,398 S**

(45) **Date of Patent:** **** Sep. 8, 2020**

(54) **KEY HEAD**

(71) Applicant: **Scott Brian Almquist**, Sioux Falls, SD
(US)

(72) Inventor: **Scott Brian Almquist**, Sioux Falls, SD
(US)

(**) Term: **15 Years**

(21) Appl. No.: **29/657,769**

(22) Filed: **Jul. 25, 2018**

(51) **LOC (12) Cl.** **08-07**

(52) **U.S. Cl.**
USPC **D8/347**

(58) **Field of Classification Search**

USPC D8/347, 348
CPC .. E05B 19/24; E05B 19/0017; E05B 19/0041;
E05B 19/0052; E05B 19/0058; E05B
19/00

See application file for complete search history.

(56) **References Cited**

U.S. PATENT DOCUMENTS

D548,570 S * 8/2007 Ydremark D8/347
D575,628 S * 8/2008 Strawn D8/347

9,771,739 B1 * 9/2017 Wells E05B 19/04

* cited by examiner

Primary Examiner — Doris Clark

(74) *Attorney, Agent, or Firm* — Dunlap Bennett &
Ludwig, PLLC

(57) **CLAIM**

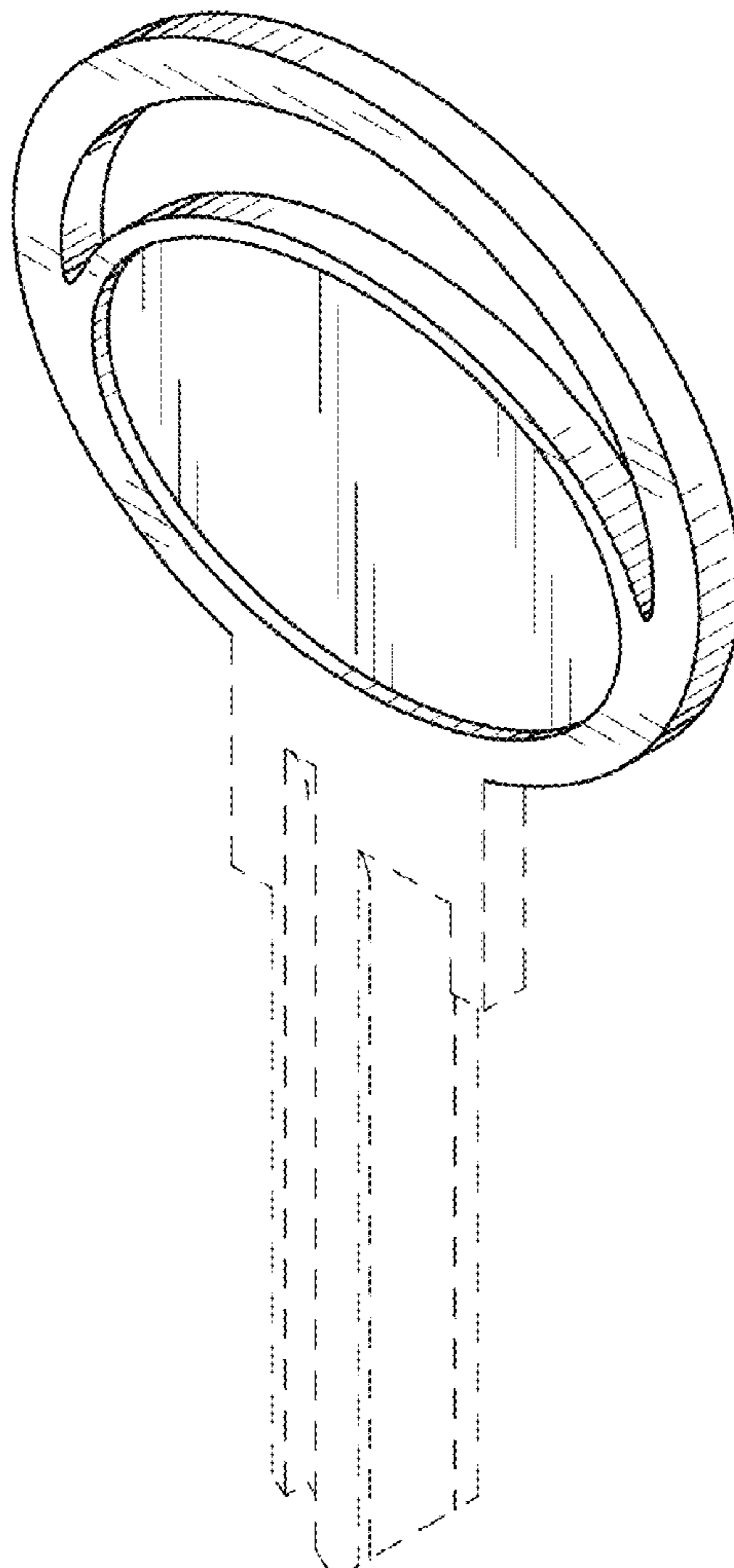
The ornamental design for a key head, as shown and described.

DESCRIPTION

FIG. 1 is a top front perspective view of a key head;
FIG. 2 is a front elevation view thereof;
FIG. 3 is a rear elevation view thereof;
FIG. 4 is a right side elevation view thereof;
FIG. 5 is a left side elevation view thereof;
FIG. 6 is a top elevation view thereof; and,
FIG. 7 is a bottom elevation view thereof.

The broken lines shown in the drawings depict portions of the key head that form no part of the claimed invention.

1 Claim, 3 Drawing Sheets



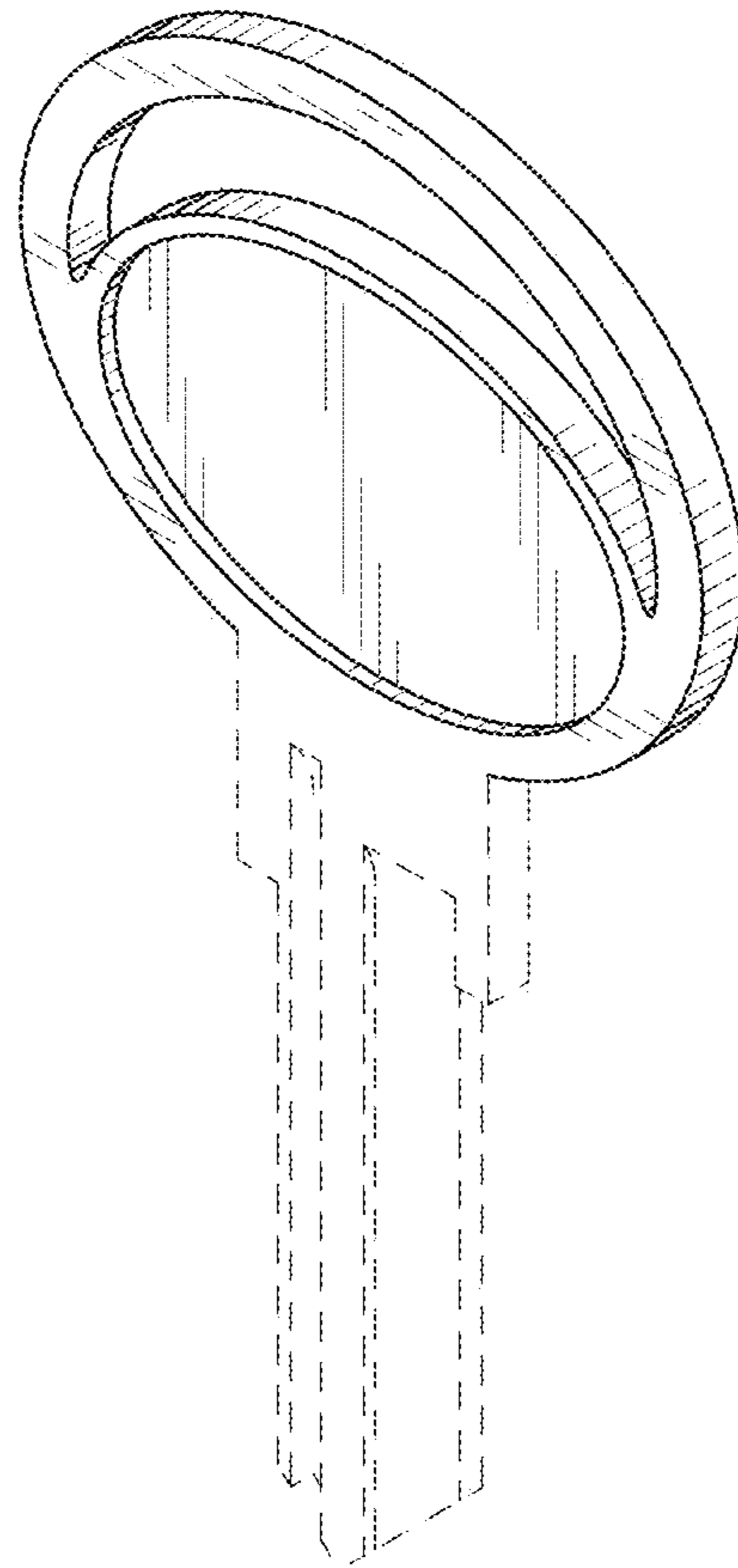


FIG. 1

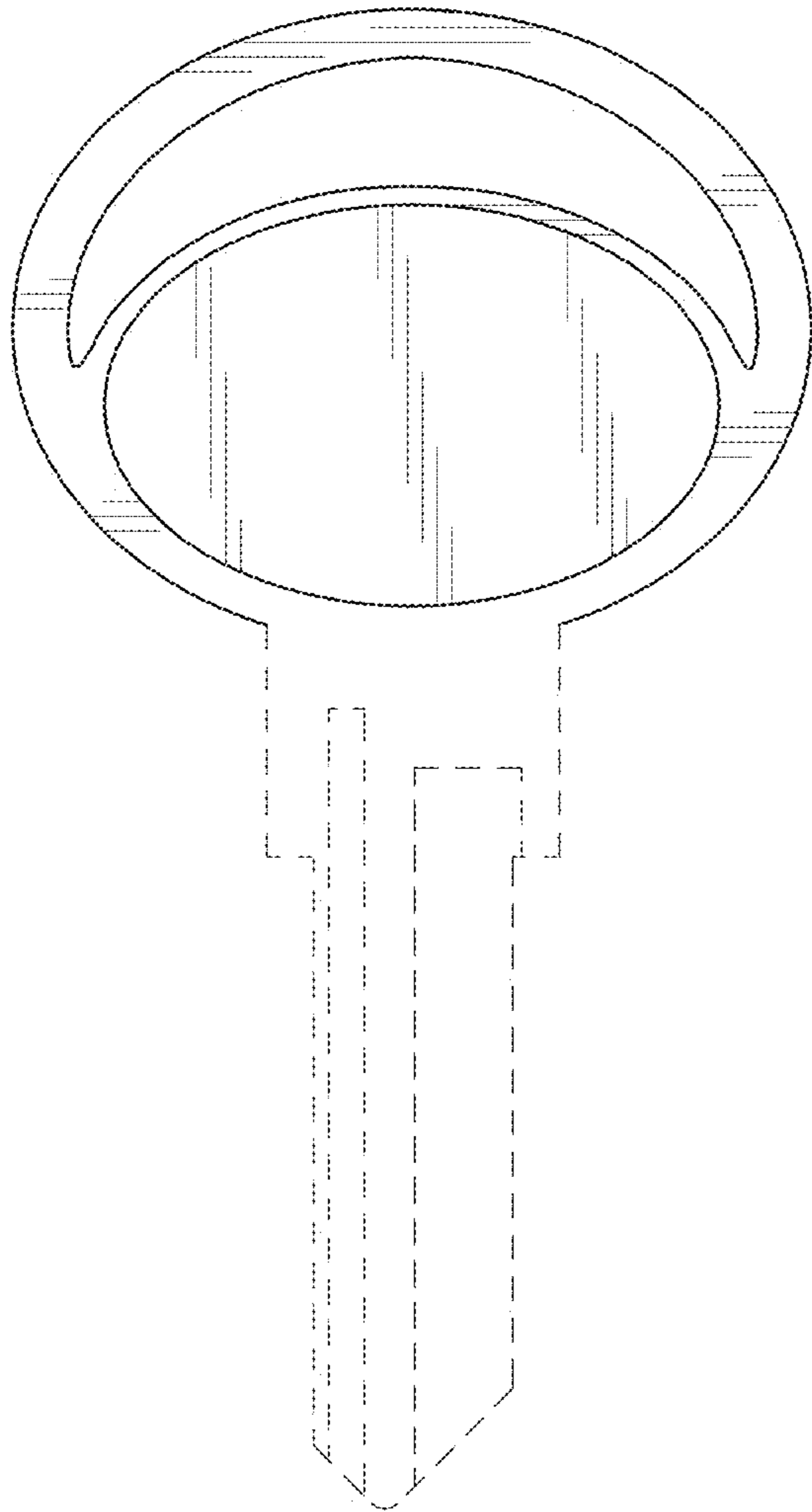


FIG. 2

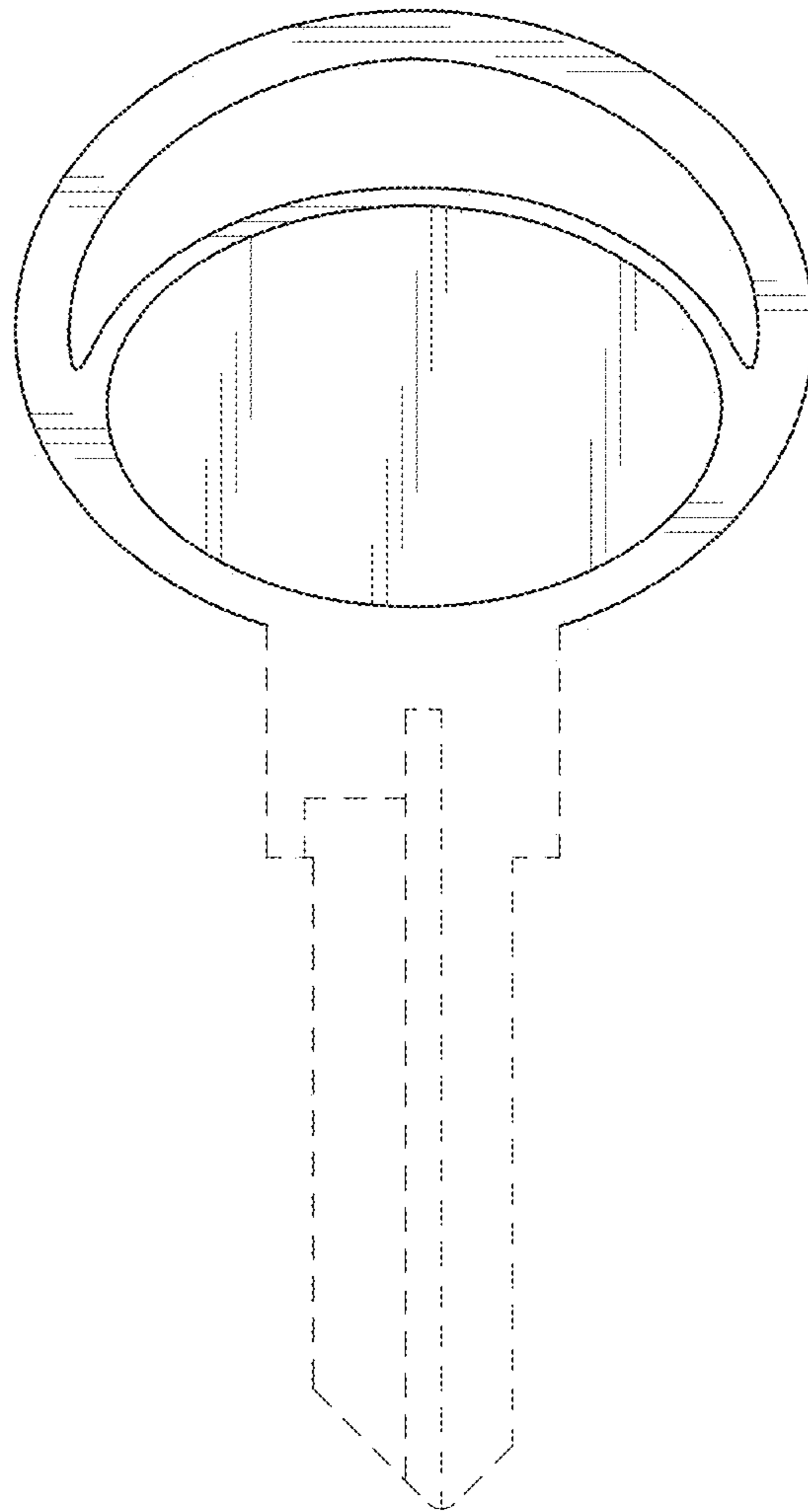


FIG. 3

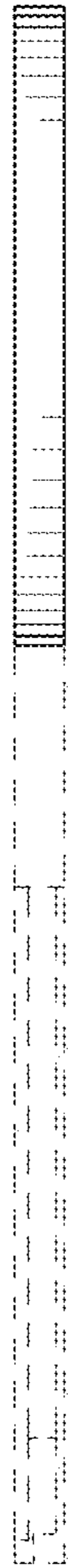


FIG. 4

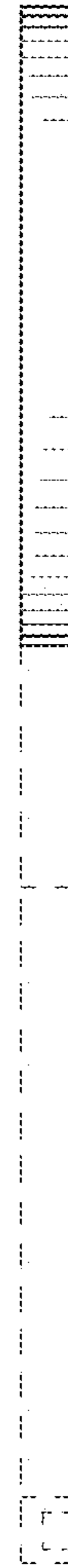


FIG. 5

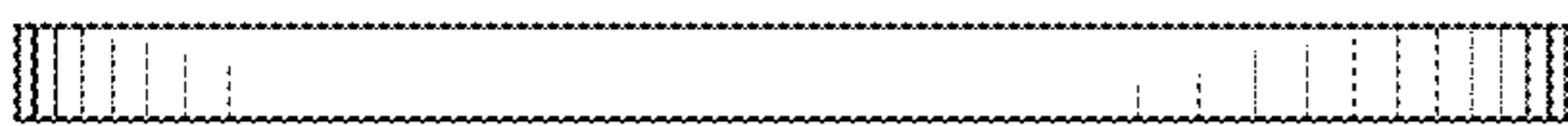


FIG. 6

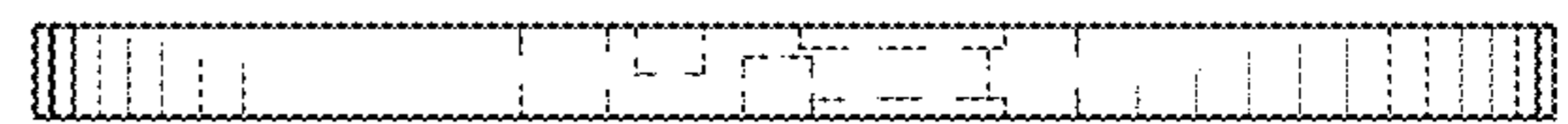


FIG. 7