

US00D895397S

(12) **United States Design Patent** (10) **Patent No.:** **US D895,397 S**
Freeman (45) **Date of Patent:** **** Sep. 8, 2020**

(54) **STORAGE LOCKER PAD LOCK**
(71) Applicant: **FRANK J. MARTIN COMPANY,**
Lynnwood, WA (US)
(72) Inventor: **Tim Freeman,** Edmonds, WA (US)
(73) Assignee: **FRANK J. MARTIN COMPANY,**
Lynnwood, WA (US)
(**) Term: **15 Years**

6,813,912 B1 11/2004 Ng et al.
D499,634 S 12/2004 Dolan et al.
7,086,258 B2 8/2006 Fisher et al.
D539,633 S 4/2007 Van
7,516,631 B2 4/2009 Hacker et al.
D615,842 S 5/2010 Freeman
7,946,141 B2 5/2011 Ng et al.
9,920,549 B2* 3/2018 Little E05B 37/0058
D834,918 S * 12/2018 Zheng D8/334
10,309,128 B2* 6/2019 Horton E05B 67/00
D866,292 S * 11/2019 Abdul D8/334
10,641,012 B2* 5/2020 Tropp E05B 37/0034

(Continued)

(21) Appl. No.: **29/653,135**

(22) Filed: **Jun. 12, 2018**

(51) **LOC (12) Cl.** **08-07**

(52) **U.S. Cl.**
USPC **D8/334**

(58) **Field of Classification Search**
USPC D8/334
CPC E05B 67/00; E05B 67/36; E05B 73/0011
See application file for complete search history.

(56) **References Cited**

U.S. PATENT DOCUMENTS

212,359 A 2/1879 Corbett et al.
2,020,879 A 11/1935 Eldred
4,191,035 A 3/1980 Hatch
4,354,367 A 10/1982 Wahl
4,609,780 A 9/1986 Clark
4,727,368 A 2/1988 Larson et al.
D301,682 S 6/1989 Gardenswartz
4,838,052 A 6/1989 Williams et al.
4,959,978 A 10/1990 Cappell et al.
5,465,090 A 11/1995 Deignan
5,794,466 A 8/1998 Hungerford et al.
5,851,652 A 12/1998 Jacobson et al.
6,085,671 A 7/2000 Kerr et al.
D472,129 S 3/2003 Hill et al.
6,526,786 B1 3/2003 Kayoda
D488,048 S 4/2004 Wasson et al.
D495,234 S 8/2004 Fisher et al.

OTHER PUBLICATIONS

NuSet Lockbox; Sold more than one year prior to the filing date of the application.

(Continued)

Primary Examiner — Doris Clark
(74) *Attorney, Agent, or Firm* — Lowe Graham Jones PLLC

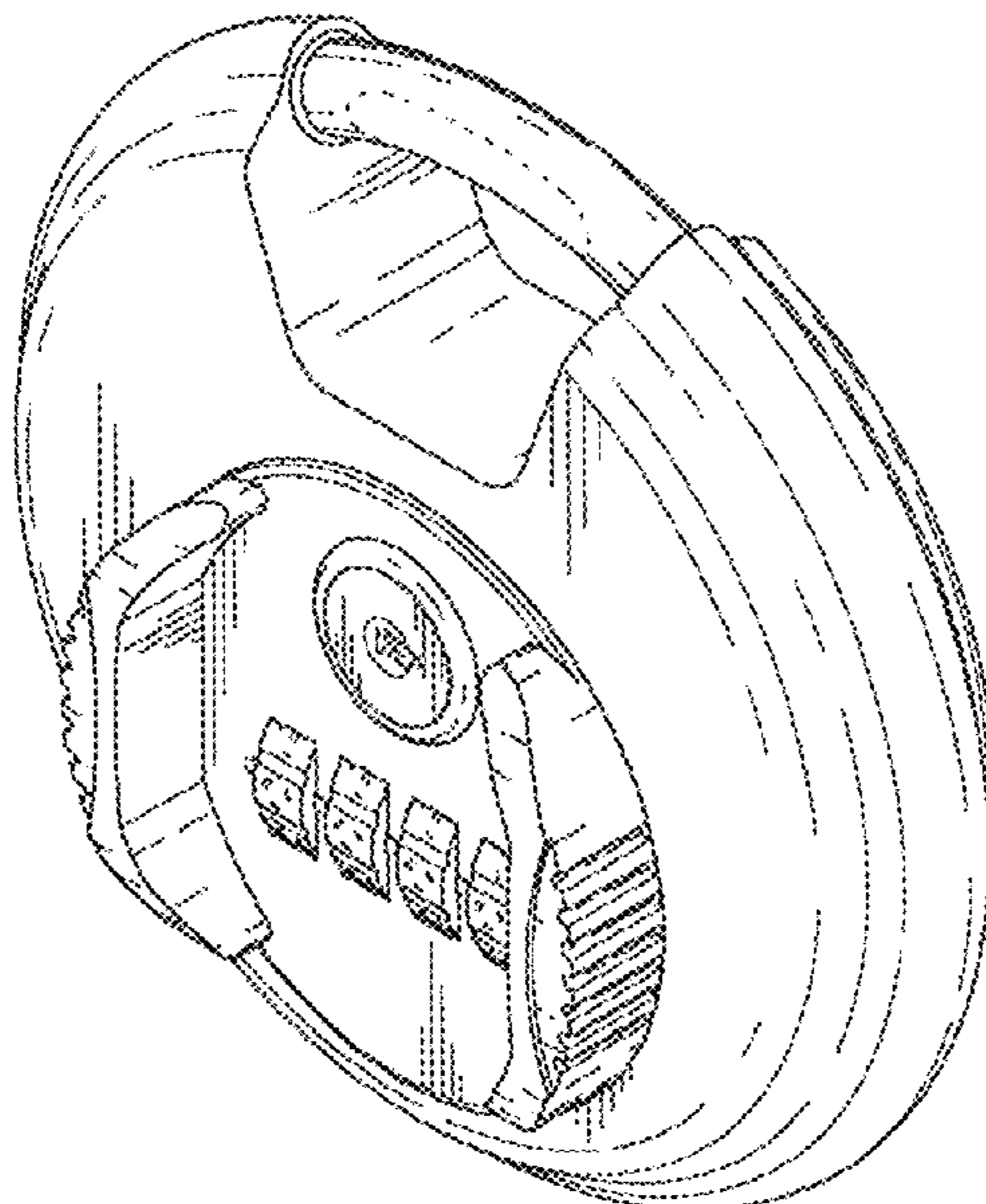
(57) **CLAIM**

The ornamental design for a storage locker pad lock, as shown and described.

DESCRIPTION

FIG. 1 is a top-front right isometric view of my new design. FIG. 2 is a front elevation view thereof. FIG. 3 is a rear elevational view thereof. FIG. 4 is a left side elevational view thereof. FIG. 5 is a right side elevational view thereof. FIG. 6 is a top plan view thereof; and, FIG. 7 is a bottom plan view thereof. The portions of the design shown in phantom lines are for environmental purposes only and form no part of the claimed invention.

1 Claim, 4 Drawing Sheets



(56)

References Cited

U.S. PATENT DOCUMENTS

2004/0226325 A1 11/2004 Ling
2009/0095036 A1 4/2009 Ng et al.
2011/0067461 A1 3/2011 Hacker
2011/0100074 A1 5/2011 Meekma et al.

OTHER PUBLICATIONS

Risco Partners, LLC; On-Line Store; www.riscopartners.com/files/risco_cart.htm; Sold and offered for sale prior to Dec. 23, 2008; p. 1; Lenexa, Kansas.

* cited by examiner

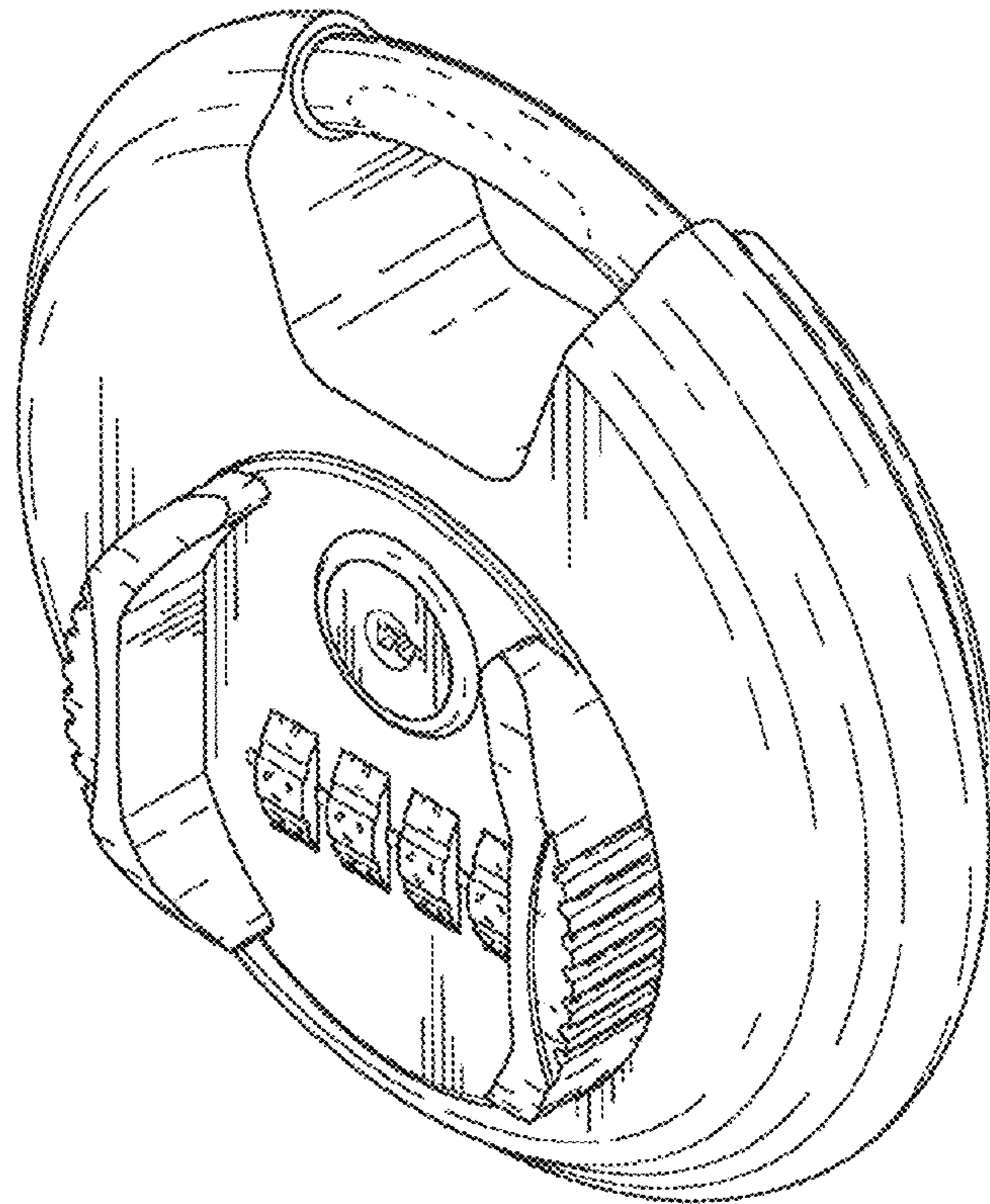


Fig. 1

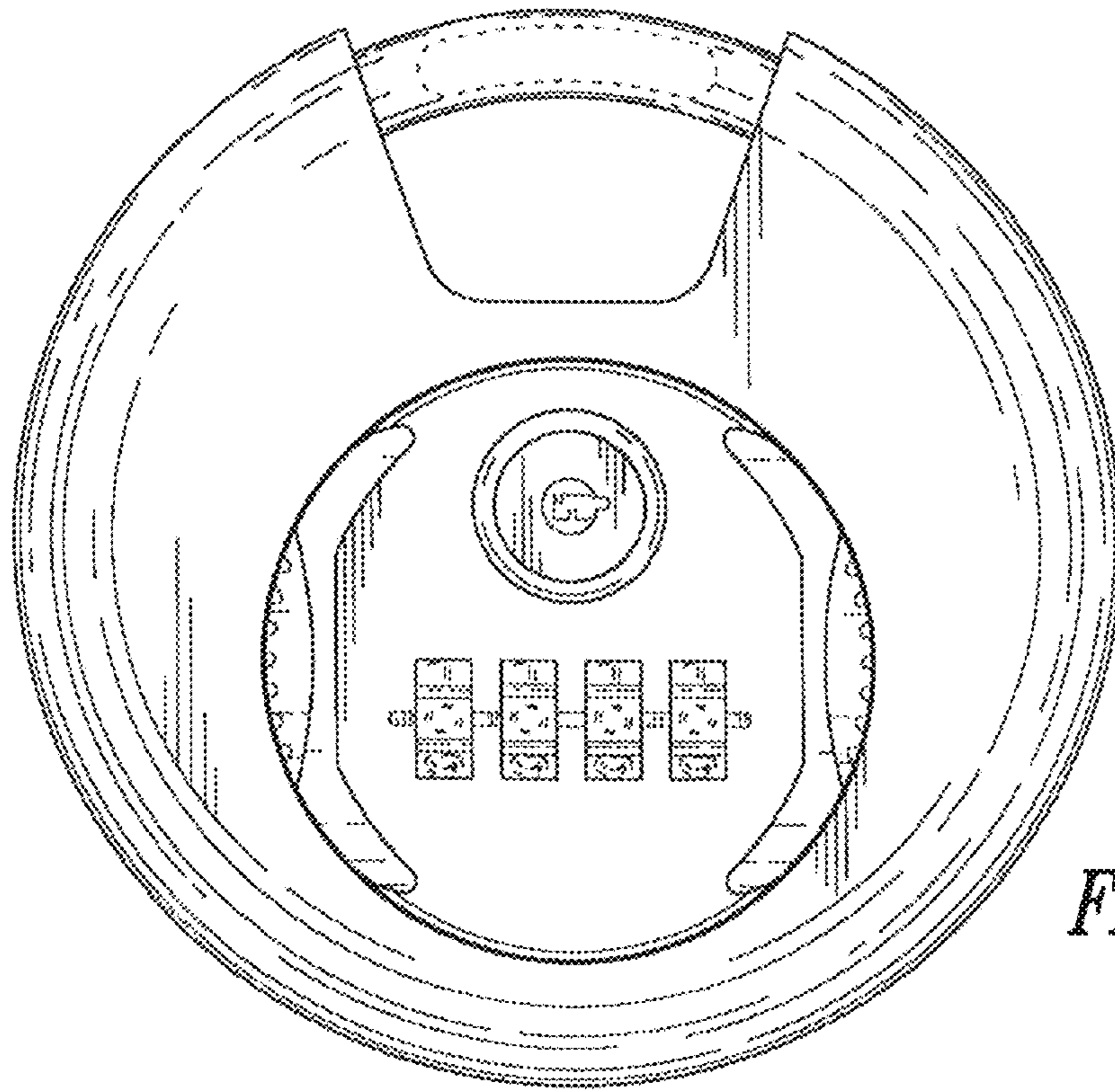


Fig. 2

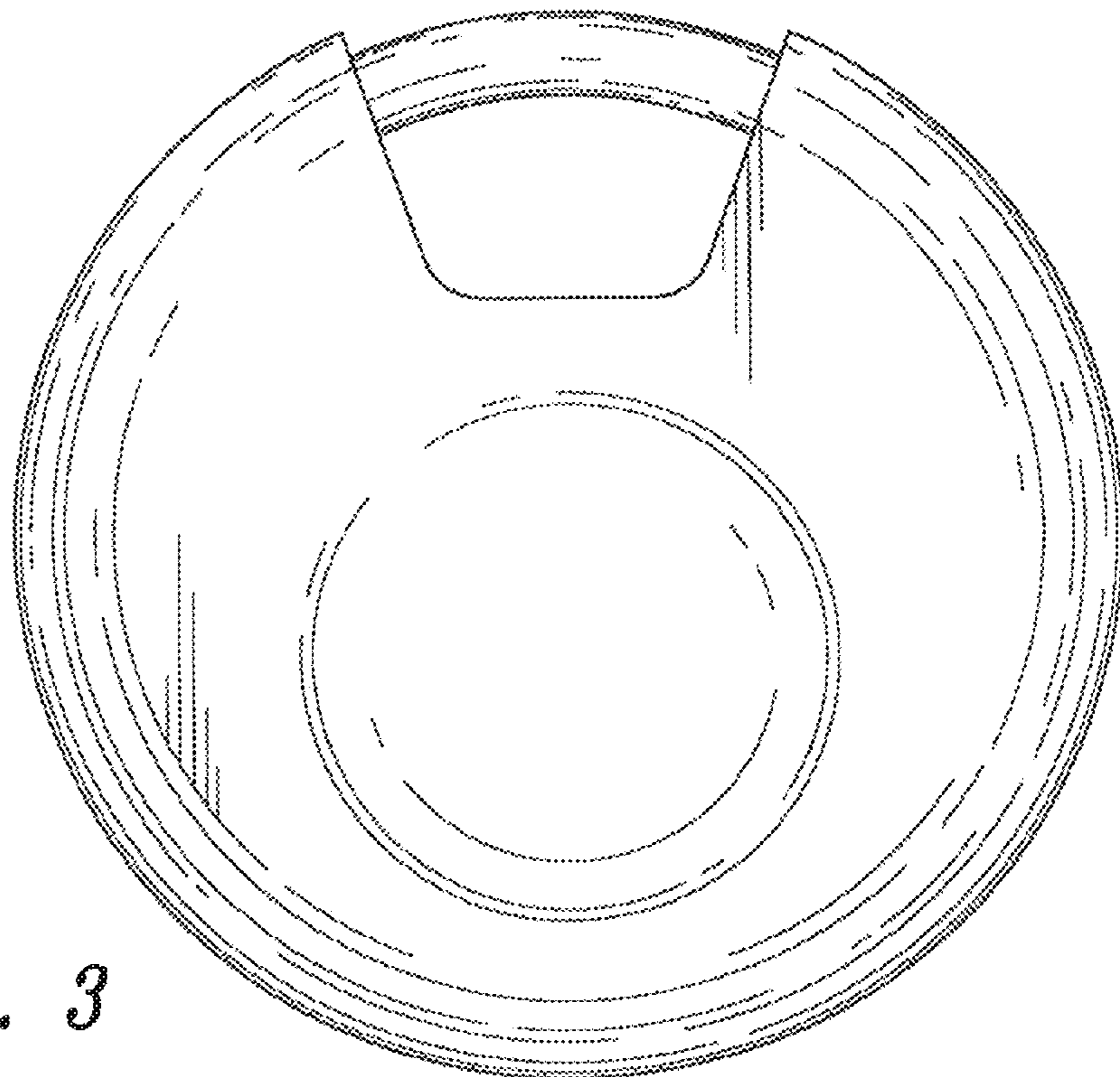


Fig. 3

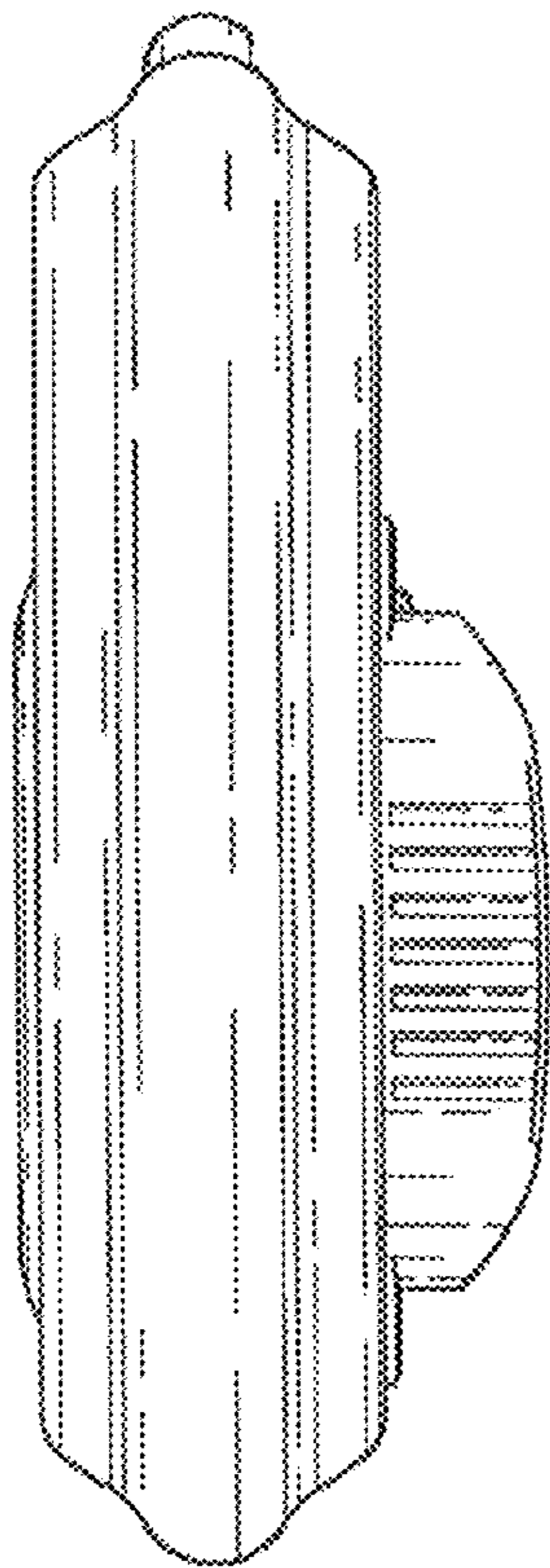


Fig. 4

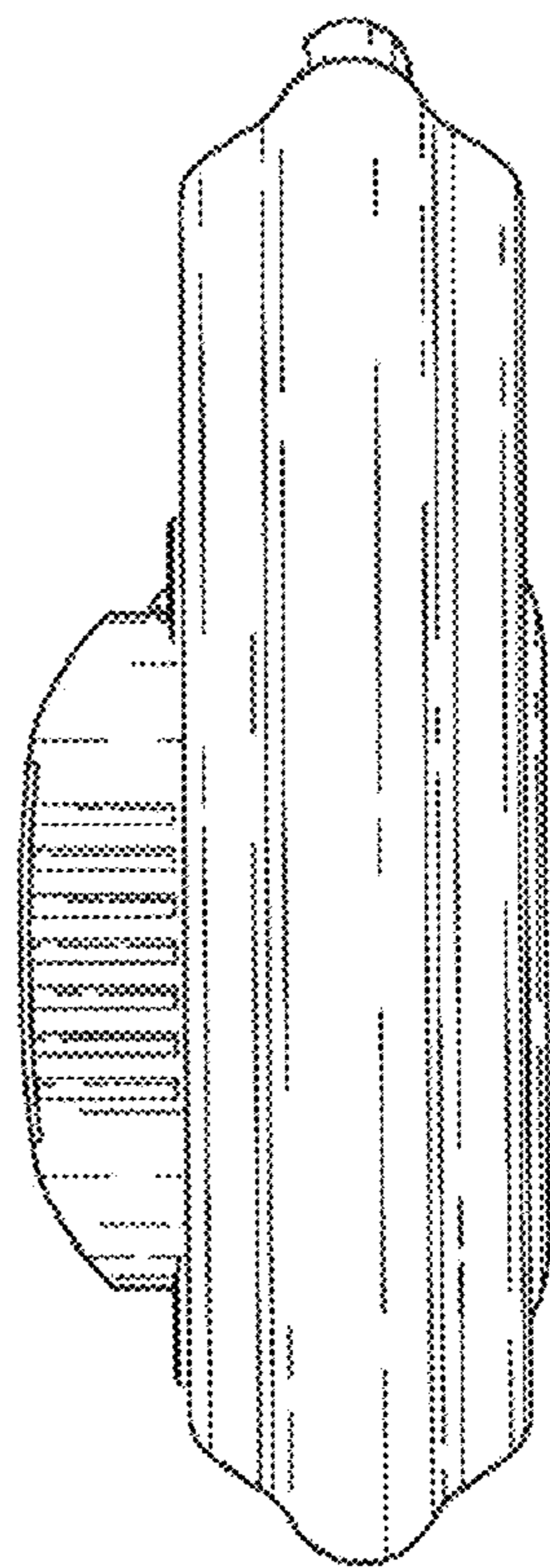


Fig. 5

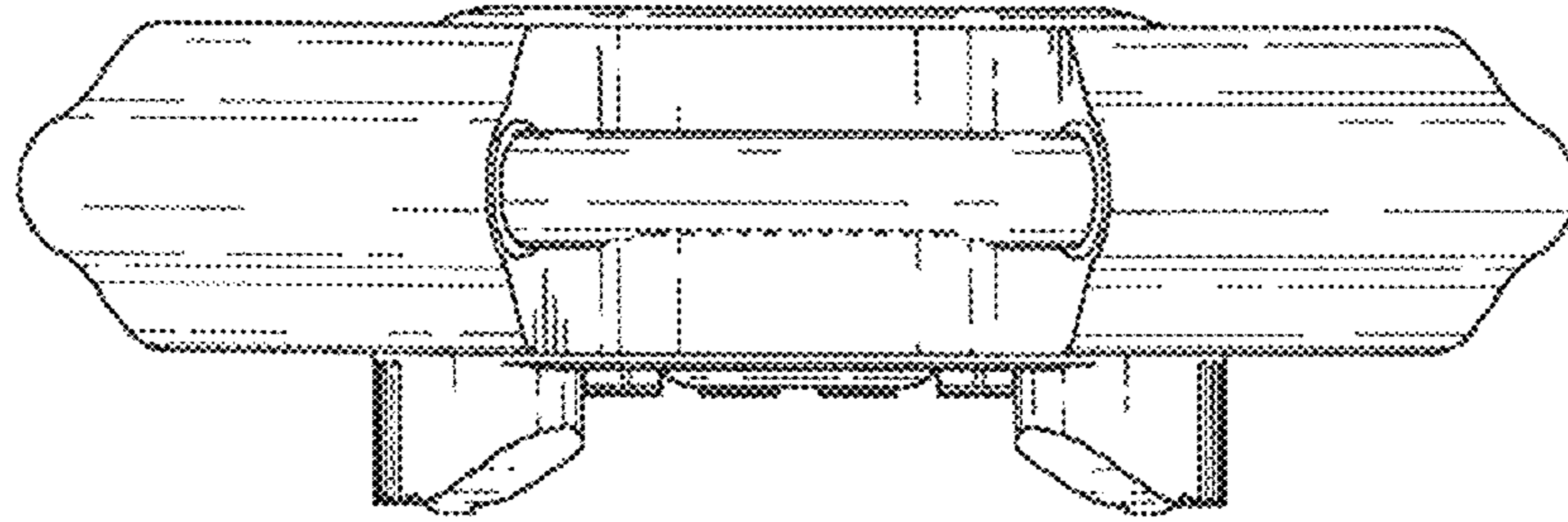


Fig. 6

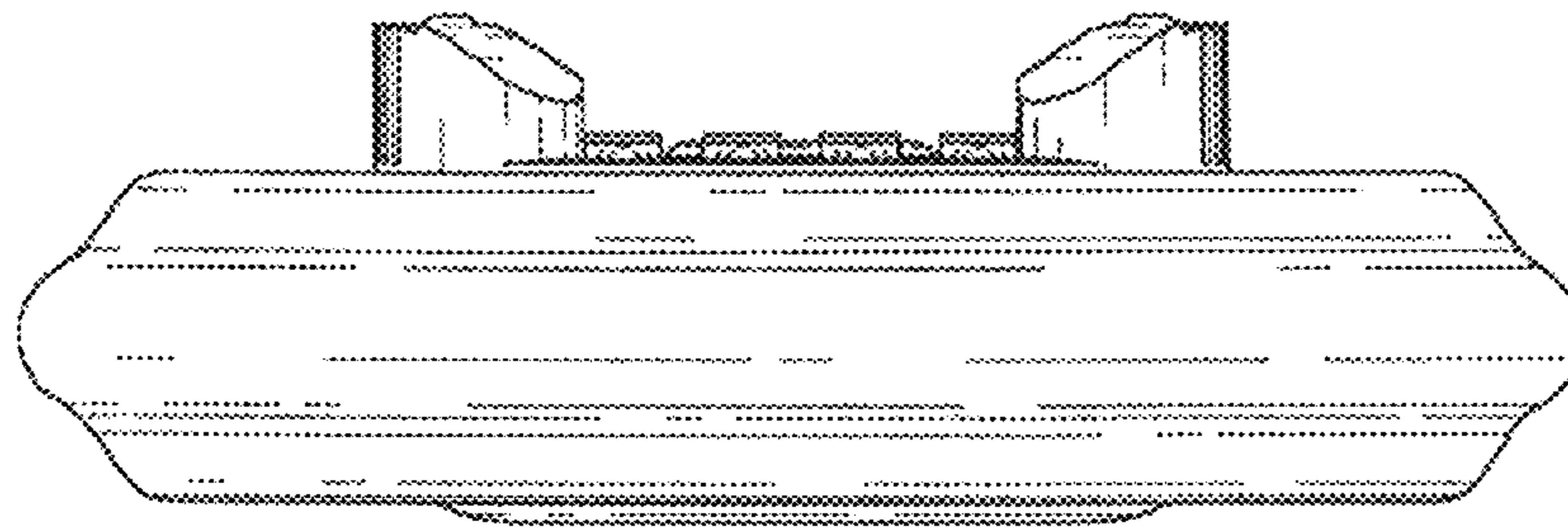


Fig. 7