



US00D895392S

(12) **United States Design Patent**
Marfione

(10) **Patent No.:** **US D895,392 S**
(45) **Date of Patent:** **** Sep. 8, 2020**

- (54) **SWITCHBLADE**
- (71) Applicant: **Anthony Louis Marfione**, Fletcher, NC (US)
- (72) Inventor: **Anthony Louis Marfione**, Fletcher, NC (US)
- (73) Assignee: **Microtech Knives, Inc.**, Bradford, PA (US)
- (**) Term: **15 Years**
- (21) Appl. No.: **29/680,152**
- (22) Filed: **Feb. 13, 2019**
- (51) **LOC (12) Cl.** **08-03**
- (52) **U.S. Cl.**
USPC **D8/99**
- (58) **Field of Classification Search**
USPC D8/98, 99, 100, 105, 107; D22/118
CPC B26B 5/001; B26B 5/003; B26B 11/00;
B26B 1/08; B26B 1/02; B26B 1/10;
B26B 1/04; B26B 1/042; B26B 1/048;
B26B 3/08; B26B 29/06
See application file for complete search history.

5,502,895 A	4/1996	Lemaire	
5,511,311 A	4/1996	Collins	
5,617,635 A	4/1997	Berns	
D385,173 S	10/1997	McWillis	
D387,966 S	12/1997	Horn	
D389,389 S	1/1998	Glesser	
5,819,414 A *	10/1998	Marifone B26B 1/046 30/160
D407,002 S	3/1999	Morton	
D407,004 S	3/1999	Hull	
6,085,423 A	7/2000	Marifone	
6,101,724 A	8/2000	Halligan	
6,148,522 A	11/2000	Dobandi	
D435,421 S	12/2000	Strider	
6,154,965 A	12/2000	Sakai	
D438,443 S	3/2001	Keating	
D464,246 S *	10/2002	Sloan D8/99
D473,917 S *	4/2003	Carter, III D22/118
D474,669 S	5/2003	Onion	
D488,045 S	4/2004	Onion	
D494,440 S *	8/2004	Carter, III D22/118
D497,531 S *	10/2004	Carter, III D8/99
D505,057 S	5/2005	Ralph	
D510,249 S *	10/2005	Ray D8/99

(Continued)

Primary Examiner — Philip S Hyder
(74) *Attorney, Agent, or Firm* — Steve LeBlanc, LLC

(57) **CLAIM**

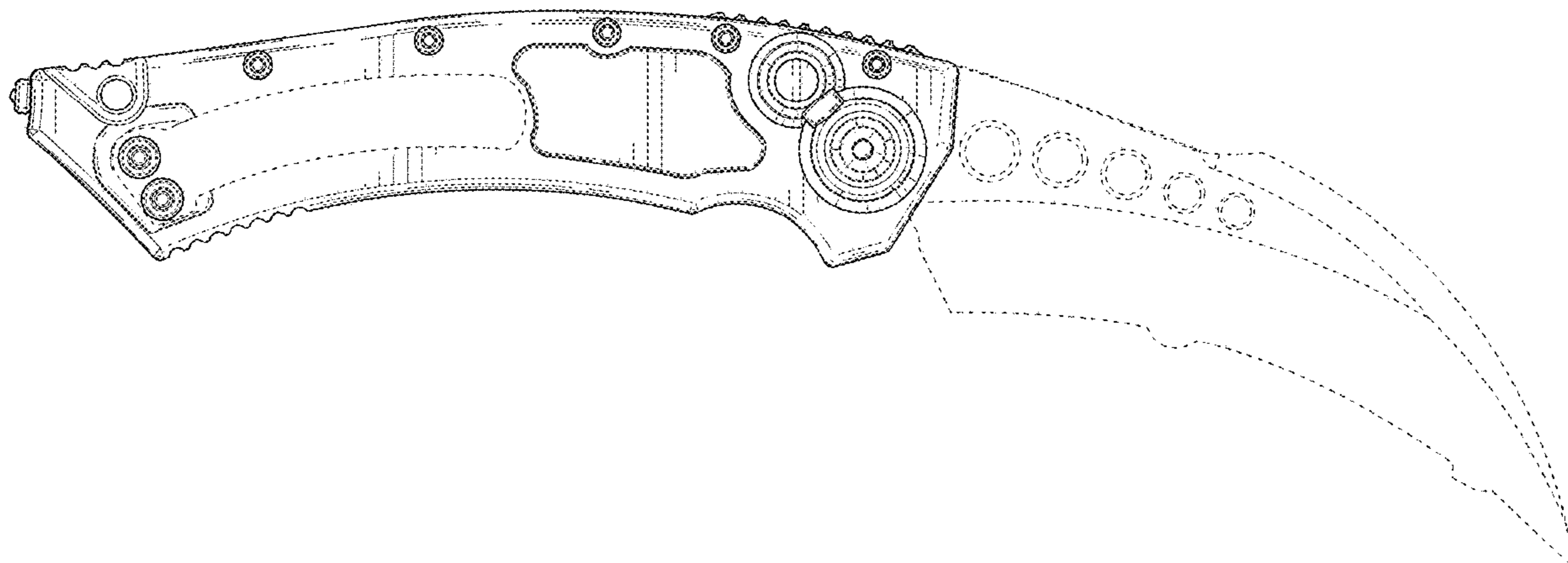
The ornamental design for a switchblade, as shown and described.

DESCRIPTION

FIG. 1 is a left side view of the switchblade;
FIG. 2 is a right side view of the switchblade;
FIG. 3 is a rear side view of the switchblade;
FIG. 4 is a front side view of the switchblade;
FIG. 5 is a blade end view of the switchblade;
FIG. 6 is a glass break end view of the switchblade; and,
FIG. 7 is a perspective view of the switchblade.

1 Claim, 6 Drawing Sheets

- (56) **References Cited**
U.S. PATENT DOCUMENTS
- 1,056,404 A 3/1913 Lorenzo
- 1,231,058 A 6/1917 Pansa
- 2,854,745 A 10/1958 Braverman
- 4,089,112 A 5/1978 Richards
- D265,719 S 9/1982 Dowdy
- D276,887 S 12/1984 Sakurai
- 4,523,379 A 6/1985 Osterhout
- 4,744,146 A 5/1988 Schmidt
- 4,947,552 A 9/1990 Barnes
- 5,060,379 A 10/1991 Neely
- D347,375 S 5/1994 Sakai
- D349,837 S * 8/1994 Glesser D8/20



(56)

References Cited

U.S. PATENT DOCUMENTS

7,086,158	B1	9/2006	Halpern	
7,305,729	B2	12/2007	Dehner	
7,305,769	B2	12/2007	McHenry	
D567,055	S	4/2008	Renzi	
D578,857	S *	10/2008	Yang-Fu	D8/99
D613,574	S *	4/2010	Pohl	D8/99
D613,754	S	4/2010	Barcheck	
D614,933	S	5/2010	Freeman	
7,797,838	B2	9/2010	Chu	
D636,051	S	4/2011	Freeman	
7,979,990	B2	7/2011	Hawk et al.	
8,028,419	B2	10/2011	VanHoy	
D677,551	S	3/2013	Pelton	
D697,780	S	1/2014	Pelton	
D697,781	S *	1/2014	Trbovich	D8/99
8,671,578	B1	3/2014	Frazer	
D706,107	S	6/2014	Pelton	
D737,110	S	8/2015	Schuft	
D743,769	S	11/2015	Glesser	
D753,459	S	4/2016	Glesser	
D765,217	S	8/2016	Tom	
D768,456	S	10/2016	Cheng	
D768,458	S	10/2016	Mingyi	
D769,694	S	10/2016	Mingyi	
9,573,282	B1	2/2017	Sheahan	
D784,485	S *	4/2017	Nawaz	D22/118
D811,191	S *	2/2018	Berenji	D8/99
D856,775	S *	8/2019	Marfione	D8/99
2005/0044717	A1	3/2005	Nishihara	
2005/0252010	A1	11/2005	Freeman	
2006/0143929	A1	7/2006	Lake	
2007/0204468	A1	9/2007	Cheng	
2012/0180320	A1	7/2012	Lo	
2012/0304470	A1	12/2012	Freeman	
2015/0367520	A1	12/2015	MacNair	

* cited by examiner

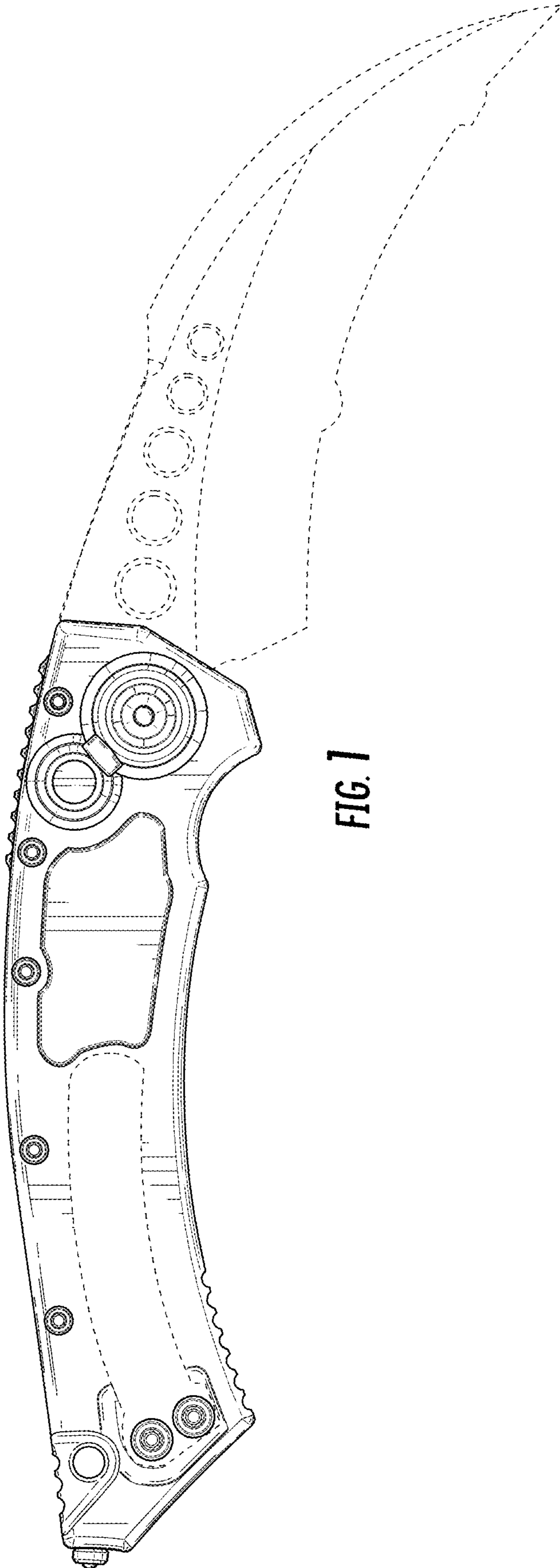


FIG. 1

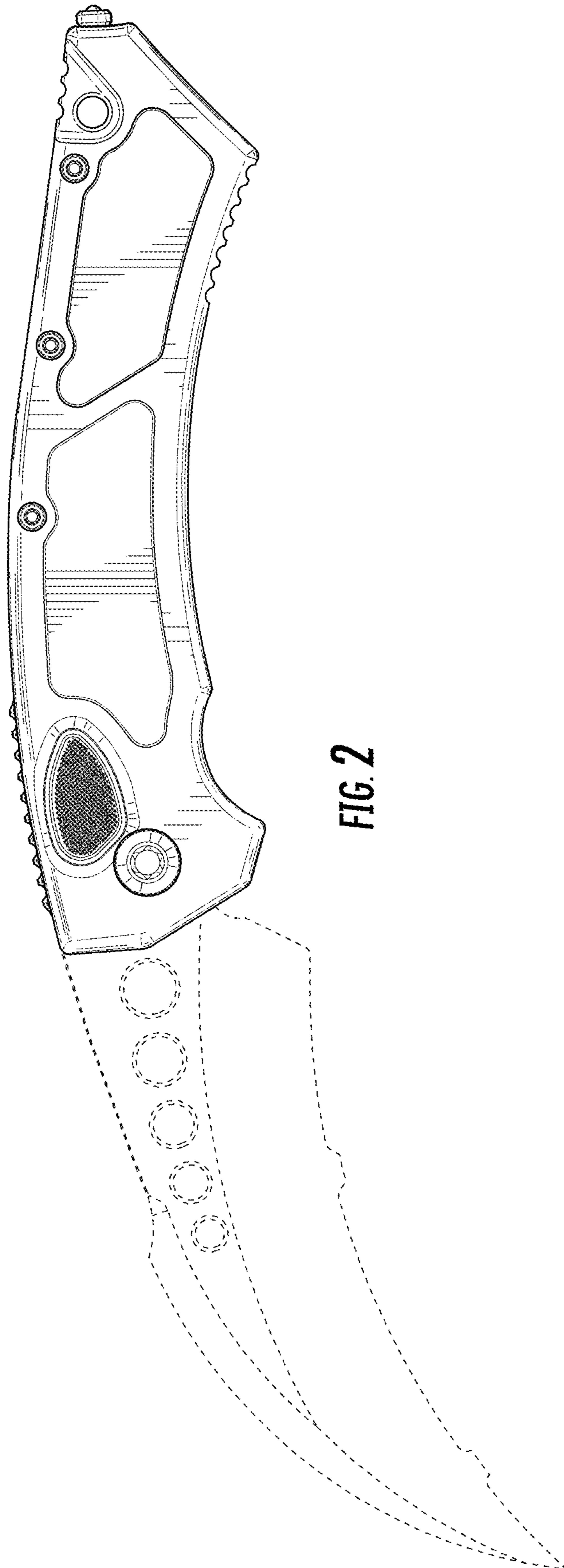


FIG. 2

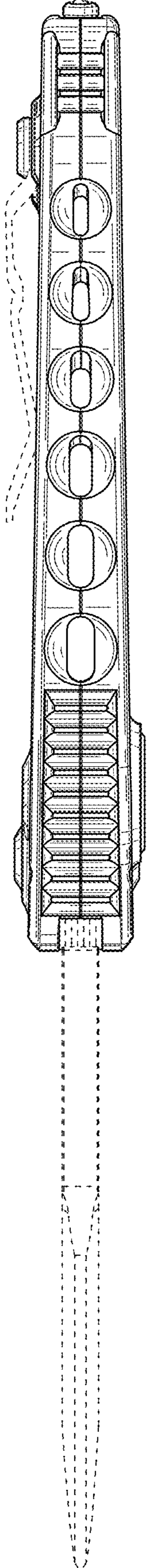


FIG. 3

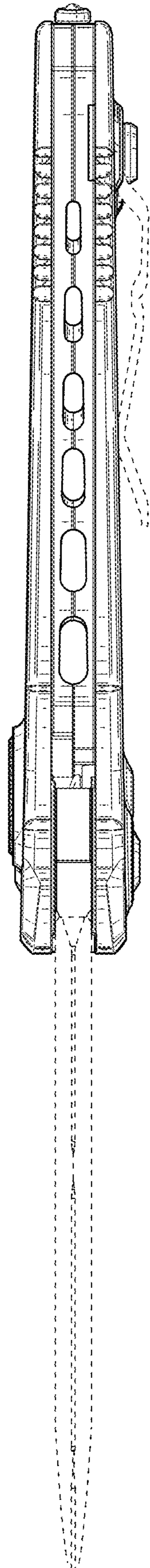


FIG. 4

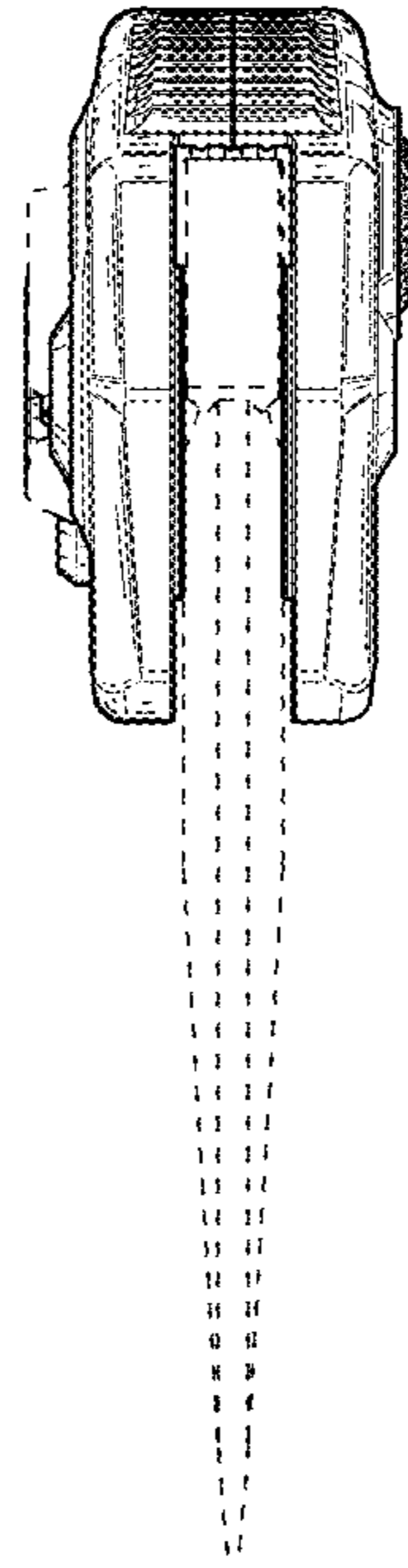


FIG. 5

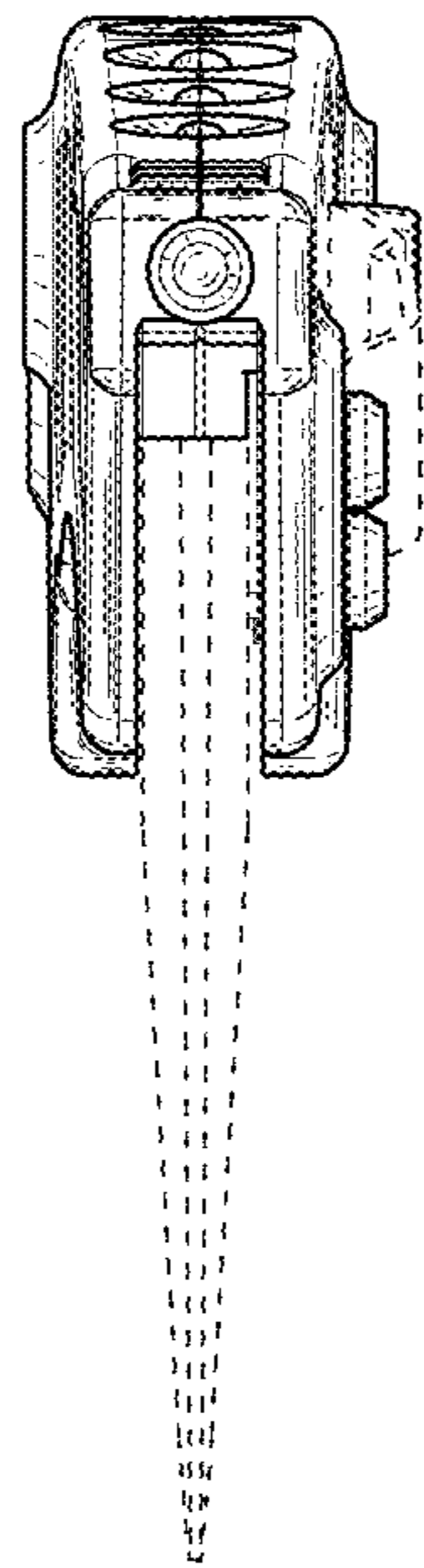


FIG. 6

