



US00D895391S

(12) **United States Design Patent** (10) **Patent No.:** **US D895,391 S**
Rivera (45) **Date of Patent:** **** Sep. 8, 2020**

(54) **HAND TOOL**
(71) Applicant: **John Rivera**, Midland, GA (US)
(72) Inventor: **John Rivera**, Midland, GA (US)
(**) Term: **15 Years**
(21) Appl. No.: **29/698,267**
(22) Filed: **Jul. 16, 2019**
(51) **LOC (12) Cl.** **08-02**
(52) **U.S. Cl.**
USPC **D8/76; D8/81**
(58) **Field of Classification Search**
USPC D8/75, 76, 77, 78, 79, 80, 81, 107
CPC . B26B 23/00; B25F 1/00; B25F 1/006; A01B
1/20; A62B 3/005; B24D 1/00; B25G
1/04; B25G 3/28
See application file for complete search history.

D521,843 S * 5/2006 Hung D8/76
7,051,390 B2 5/2006 Beek
D607,295 S * 1/2010 Knight D8/76
D608,615 S * 1/2010 Knight D8/76
D622,122 S * 8/2010 Branby D8/76
D661,170 S * 6/2012 Beggs A01G 23/099
D8/78
D688,348 S * 8/2013 Christenson D22/117
D690,181 S * 9/2013 Sykes D8/76
D748,964 S * 2/2016 Bloch D8/76
D752,407 S * 3/2016 Johnson D8/76
D766,060 S * 9/2016 Seeds D8/76
D784,783 S * 4/2017 Chen D8/76
D808,758 S * 1/2018 Nelson D8/76
D808,759 S * 1/2018 Nelson D8/76
D818,337 S * 5/2018 Nelson D8/76
D823,660 S * 7/2018 Pirrone D8/81
D854,903 S * 7/2019 Nelson D8/76
D862,191 S * 10/2019 Caglar D8/76
10,427,286 B2 * 10/2019 McCann A62B 3/005
D865,476 S * 11/2019 Taylor D8/76

(Continued)

FOREIGN PATENT DOCUMENTS

WO 2016203355 12/2016

Primary Examiner — Philip S Hyder

(56) **References Cited**
U.S. PATENT DOCUMENTS

604,830 A 5/1898 Karner
2,593,663 A 4/1952 Fanelli
3,599,255 A 8/1971 Carroll, Sr.
4,412,572 A * 11/1983 Clark B26B 23/00
30/308.1
D299,412 S * 1/1989 Zabarte D8/105
D318,896 S * 8/1991 Crain D22/117
5,141,353 A * 8/1992 Meredith, Jr. B25G 1/10
294/57
D329,366 S 9/1992 Ragoonath
5,315,725 A 5/1994 Heuvel
D354,212 S * 1/1995 Ronnholm D8/76
D356,480 S * 3/1995 Ronnholm D8/76
D362,480 S * 9/1995 Reaves D21/793
D402,874 S * 12/1998 Hall D8/76
D440,834 S * 4/2001 Khachatoorian D8/11
6,568,016 B1 5/2003 Hoogland
D519,813 S * 5/2006 Hung D8/76
D521,344 S * 5/2006 Hung D8/76

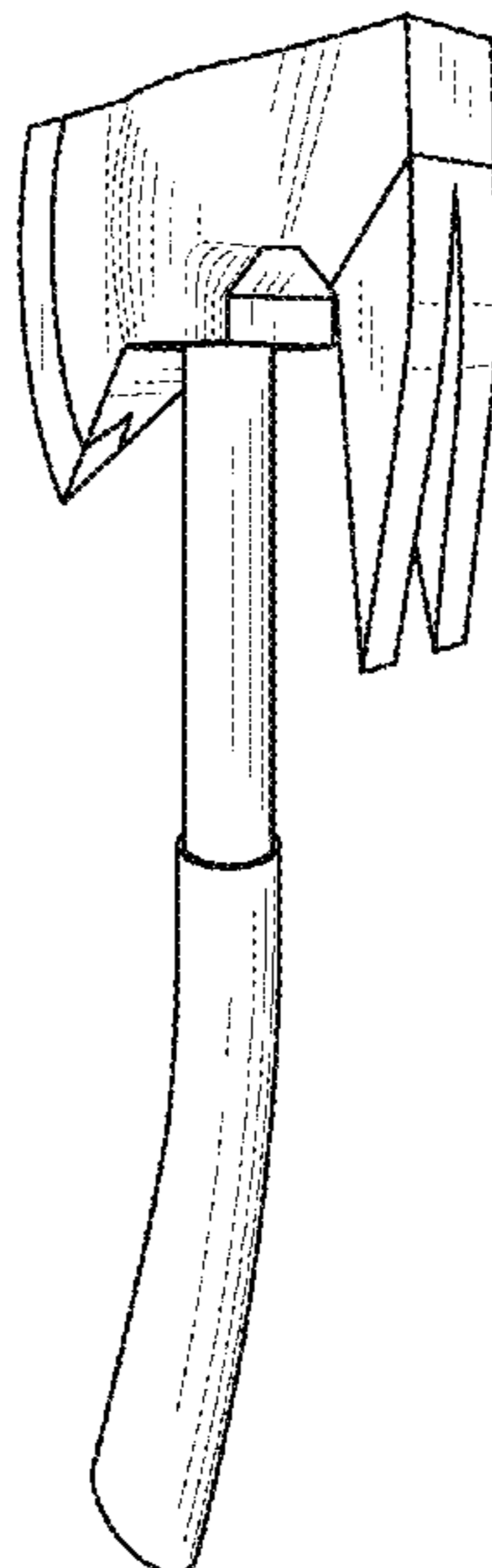
(57) **CLAIM**

I claim the ornamental design for a hand tool, as shown and described.

DESCRIPTION

FIG. 1 is a front view of the hand tool.
FIG. 2 is a rear view of the claimed design.
FIG. 3 is a left side view of the claimed design.
FIG. 4 is a right side view of the claimed design.
FIG. 5 is a top view of the claimed design.
FIG. 6 is a bottom view of the claimed design; and,
FIG. 7 is a perspective view of the claimed design.

1 Claim, 3 Drawing Sheets



(56)

References Cited

U.S. PATENT DOCUMENTS

D871,186 S * 12/2019 Hartle D8/76
2011/0088170 A1 4/2011 Crookston
2018/0297188 A1* 10/2018 McCann B26B 23/00

* cited by examiner

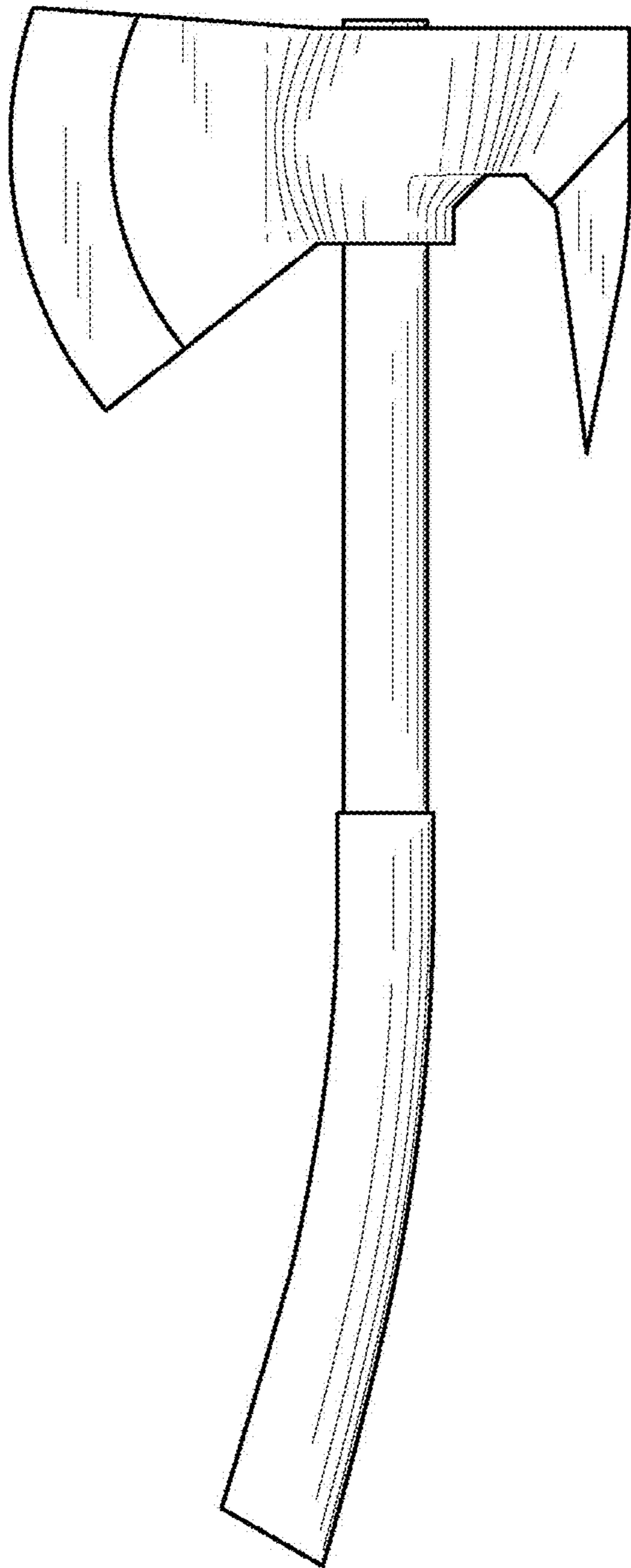


FIG. 1

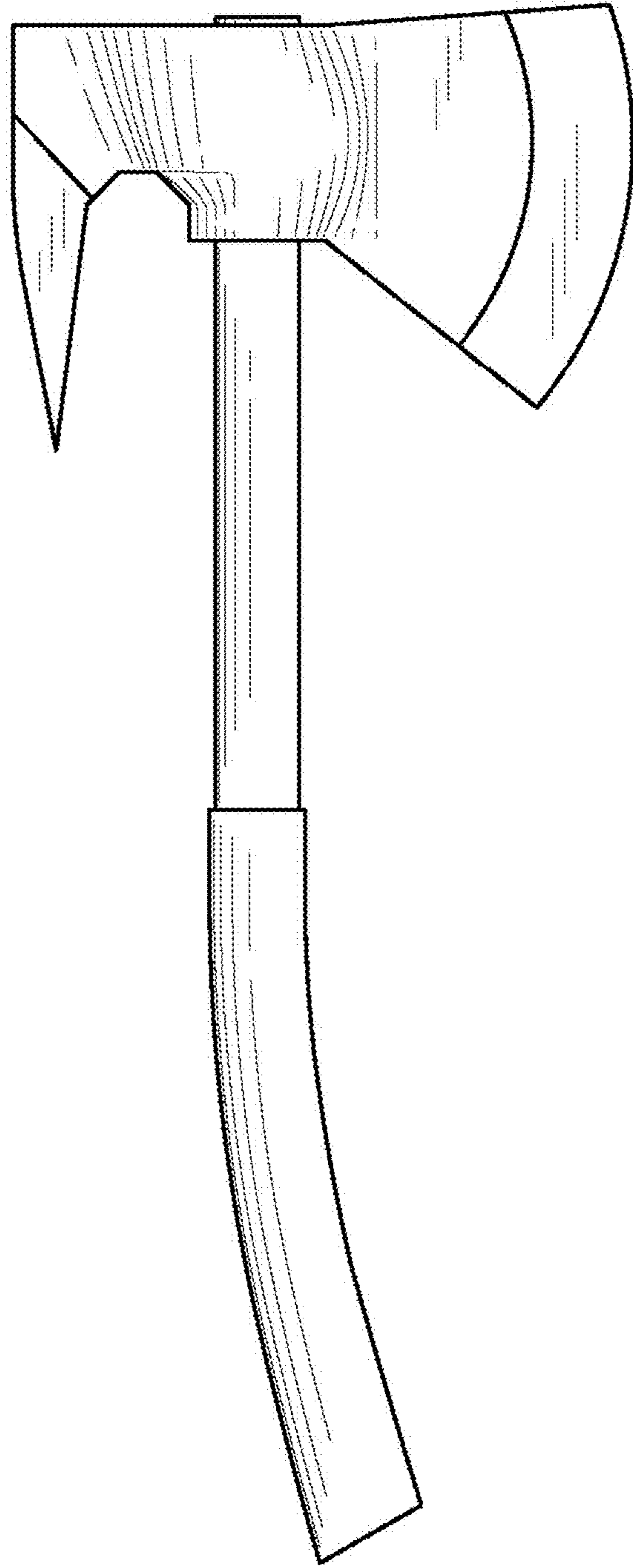


FIG. 2

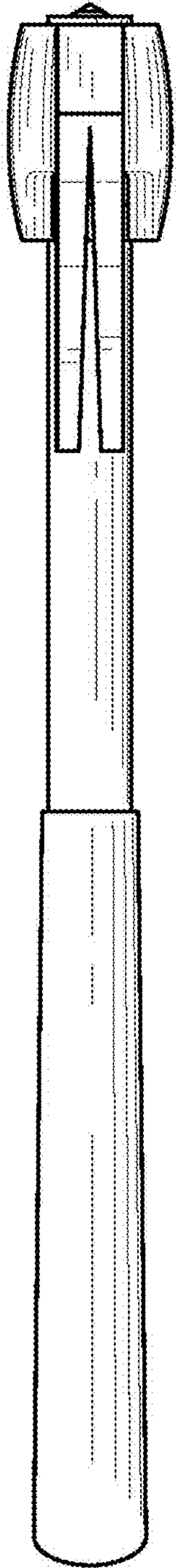


FIG. 3

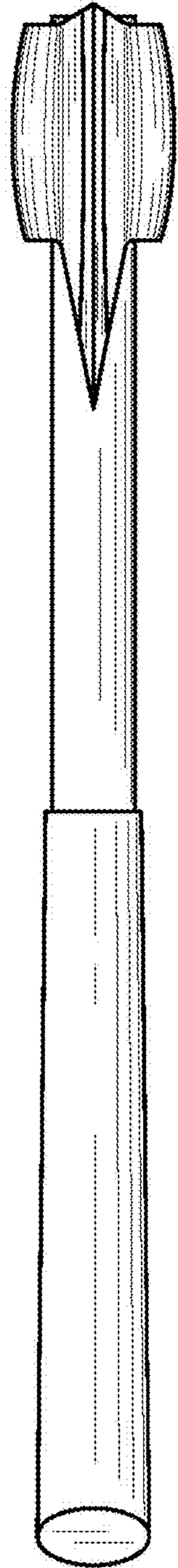


FIG. 4

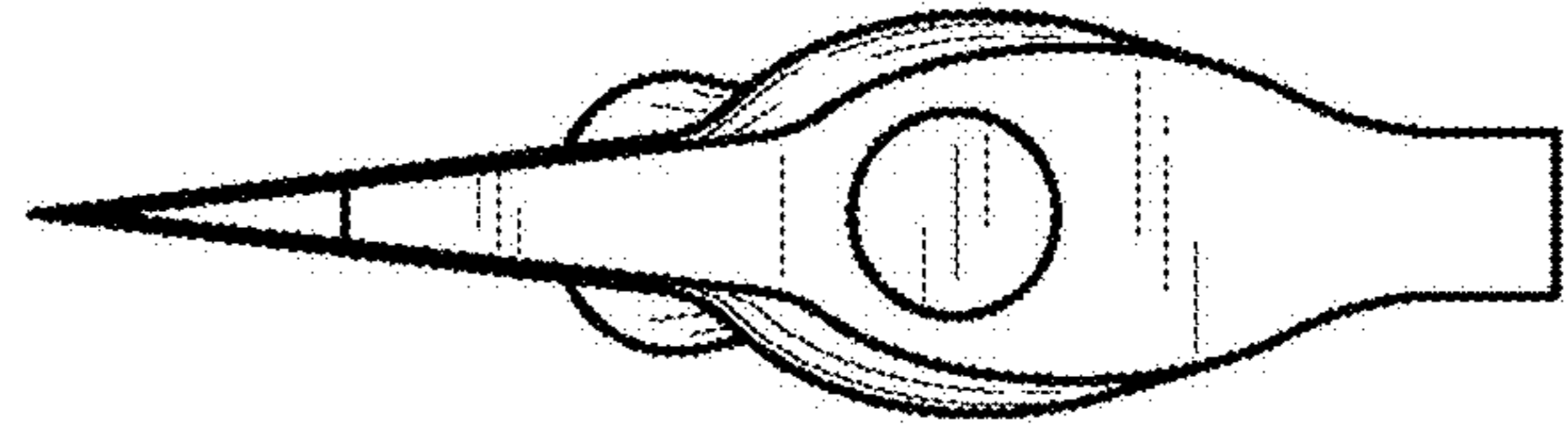


FIG. 5

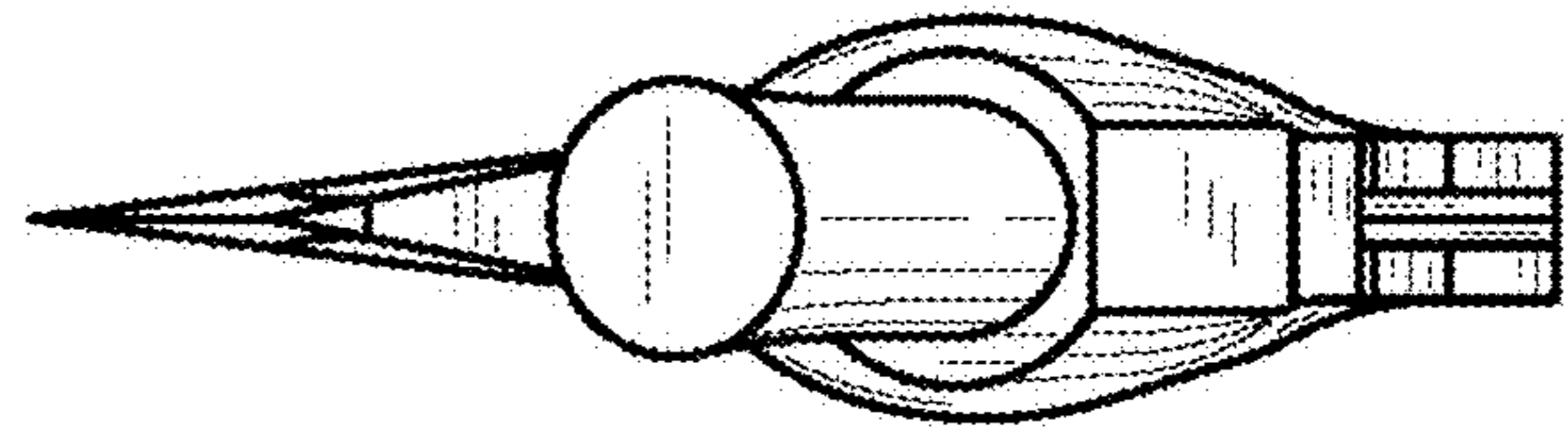


FIG. 6

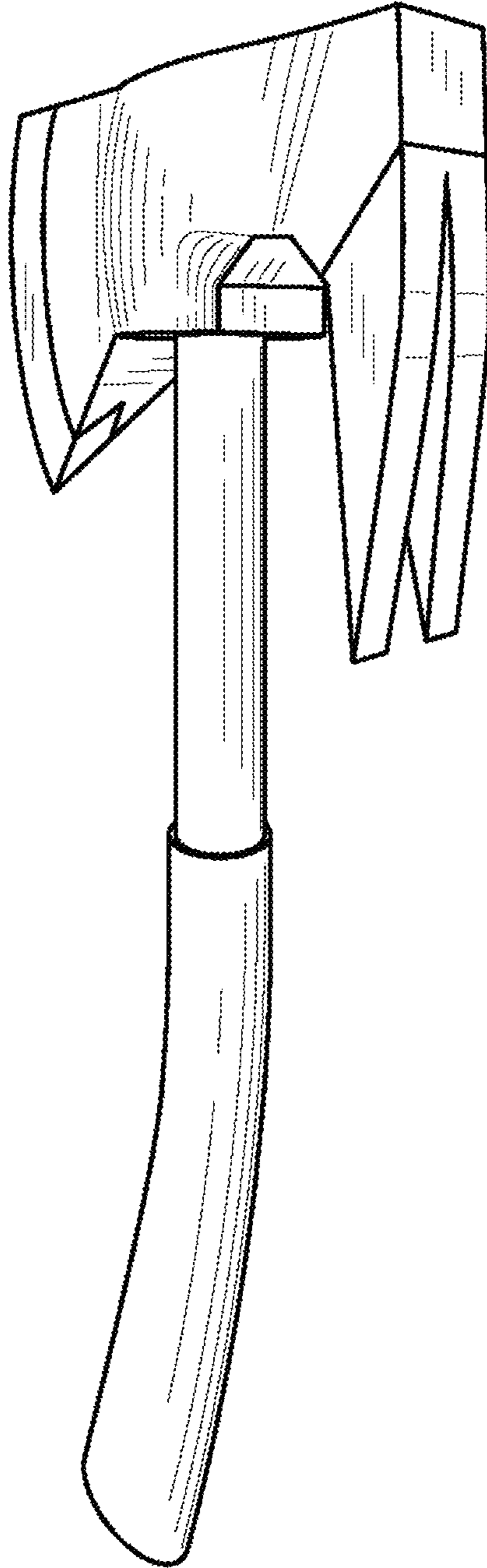


FIG. 7