



US00D895389S

(12) **United States Design Patent** (10) **Patent No.:** **US D895,389 S**
Matteo (45) **Date of Patent:** **** Sep. 8, 2020**

(54) **POWER TOOL**

(71) Applicant: **Harbor Freight Tools USA, Inc.**,
Calabasas, CA (US)

(72) Inventor: **Michael Matteo**, Los Angeles, CA (US)

(73) Assignee: **Harbor Freight Tools USA, INC.**,
Calabasas, CA (US)

(**) Term: **15 Years**

(21) Appl. No.: **29/688,109**

(22) Filed: **Apr. 18, 2019**

(51) **LOC (12) Cl.** **08-05**

(52) **U.S. Cl.**
USPC **D8/68**

(58) **Field of Classification Search**
USPC D8/61, 67, 68
CPC . B21J 15/043; B21J 15/22; B21J 15/36; B21J
15/326

See application file for complete search history.

(56) **References Cited**

U.S. PATENT DOCUMENTS

D460,674 S	7/2002	Heun	
D462,248 S	9/2002	Cooper	
D466,777 S *	12/2002	Watson	D8/68
D466,779 S *	12/2002	Shibata	D8/68
D466,781 S *	12/2002	Matsuoka	D8/68
D467,483 S	12/2002	Heun	
D479,456 S	9/2003	Murray et al.	
6,729,413 B2	5/2004	Turner et al.	
D496,843 S	10/2004	Sugawara et al.	
D506,914 S	7/2005	Okuda	
D508,643 S *	8/2005	Concari	D8/68
D515,377 S *	2/2006	Chung	D8/68
D520,834 S	5/2006	Furuta et al.	
D525,848 S *	8/2006	Kokawa	D8/68
D527,971 S *	9/2006	Kokawa	D8/68
D536,944 S *	2/2007	Tsai	D8/68

D539,110 S	3/2007	Okuda	
D540,639 S	4/2007	Watson	
D546,154 S	7/2007	Fong et al.	
D556,002 S *	11/2007	Ino	D8/68
D559,062 S	1/2008	Concari	
D574,688 S *	8/2008	Yamamoto	D8/68
D589,317 S	3/2009	Okuda	
D609,544 S	2/2010	Lopano et al.	
7,661,486 B2	2/2010	Turner et al.	
D615,837 S	5/2010	Lopano et al.	
D617,621 S	6/2010	Houghton et al.	
D628,454 S *	12/2010	Misaki	D8/68
D642,037 S *	7/2011	Miller	D8/68
D646,947 S *	10/2011	Lopano	D8/68

(Continued)

FOREIGN PATENT DOCUMENTS

CN 3609514 2/2007

Primary Examiner — Darlington Ly

(74) *Attorney, Agent, or Firm* — McAndrews Held & Malloy, Ltd.

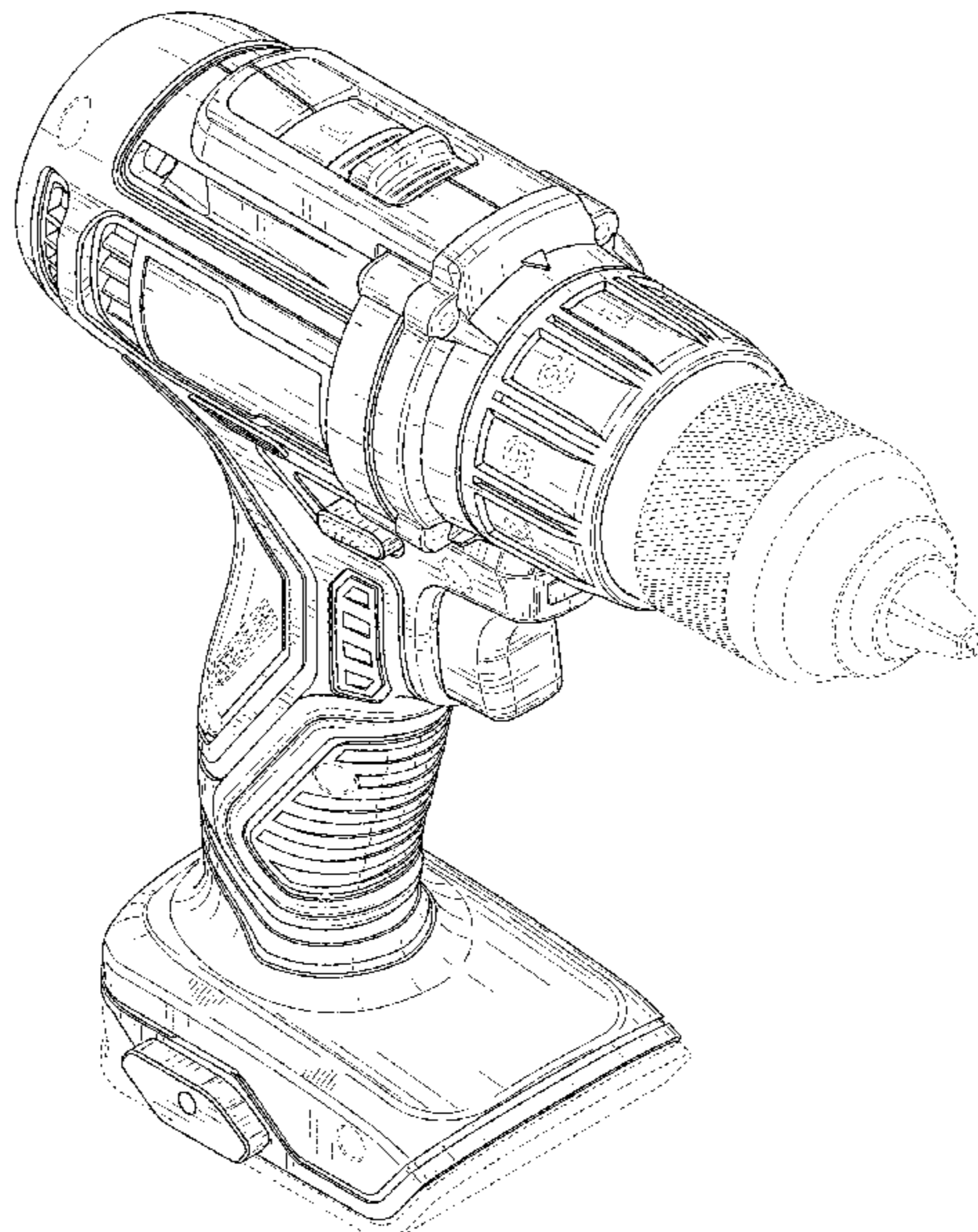
(57) **CLAIM**

The ornamental design for a power tool, as shown and described.

DESCRIPTION

FIG. 1 is a top and front perspective view of a power tool showing my new design;
FIG. 2 is a front elevation view thereof;
FIG. 3 is a rear elevation view thereof;
FIG. 4 is a right side elevation view thereof;
FIG. 5 is a left side elevation view thereof;
FIG. 6 is a top plan view thereof;
FIG. 7 is a bottom plan view thereof; and,
FIG. 8 is a bottom and rear perspective view thereof.
The dashed broken lines in the figures illustrate portions of the power tool that form no part of the claimed design.

1 Claim, 6 Drawing Sheets



(56)

References Cited

U.S. PATENT DOCUMENTS

8,181,717	B2	5/2012	Turner et al.	
8,267,192	B2	9/2012	Lopano et al.	
D670,989	S *	11/2012	Kawase	D8/61
8,312,937	B2	11/2012	Turner et al.	
D675,500	S *	2/2013	Taniguchi	D8/68
D678,025	S *	3/2013	Naksen	D8/68
D678,744	S *	3/2013	Aoki	D8/68
D679,161	S *	4/2013	Kawase	D8/61
D684,028	S *	6/2013	Costoli	173/90
D685,245	S *	7/2013	Tirone	D8/68
8,573,324	B2	11/2013	Turner et al.	
D700,821	S *	3/2014	Tschopp	D8/68
D708,496	S *	7/2014	Zhou	D8/68
2015/0041164	A1 *	2/2015	Sergyeyenko	B25B 23/147 173/1

* cited by examiner

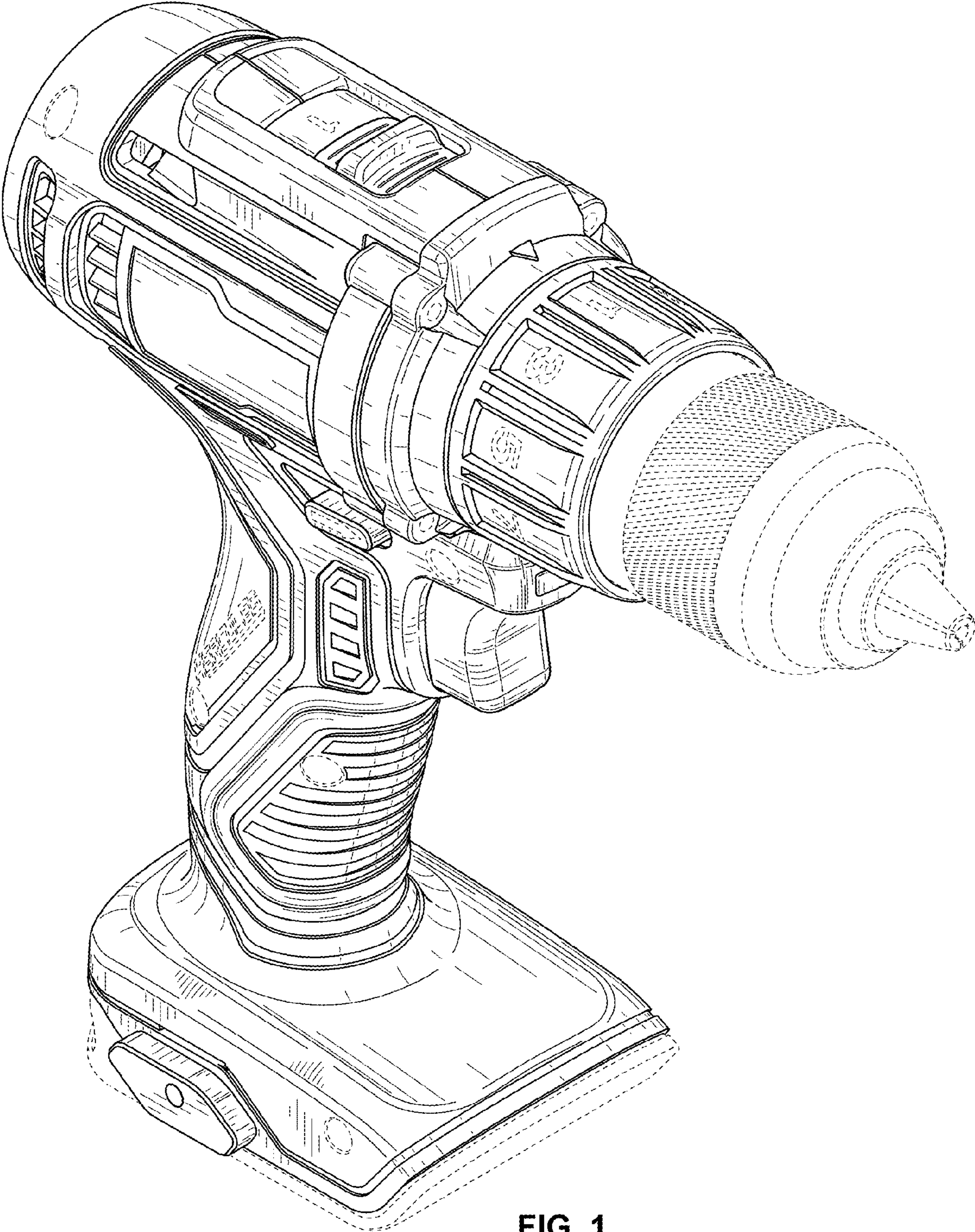


FIG. 1

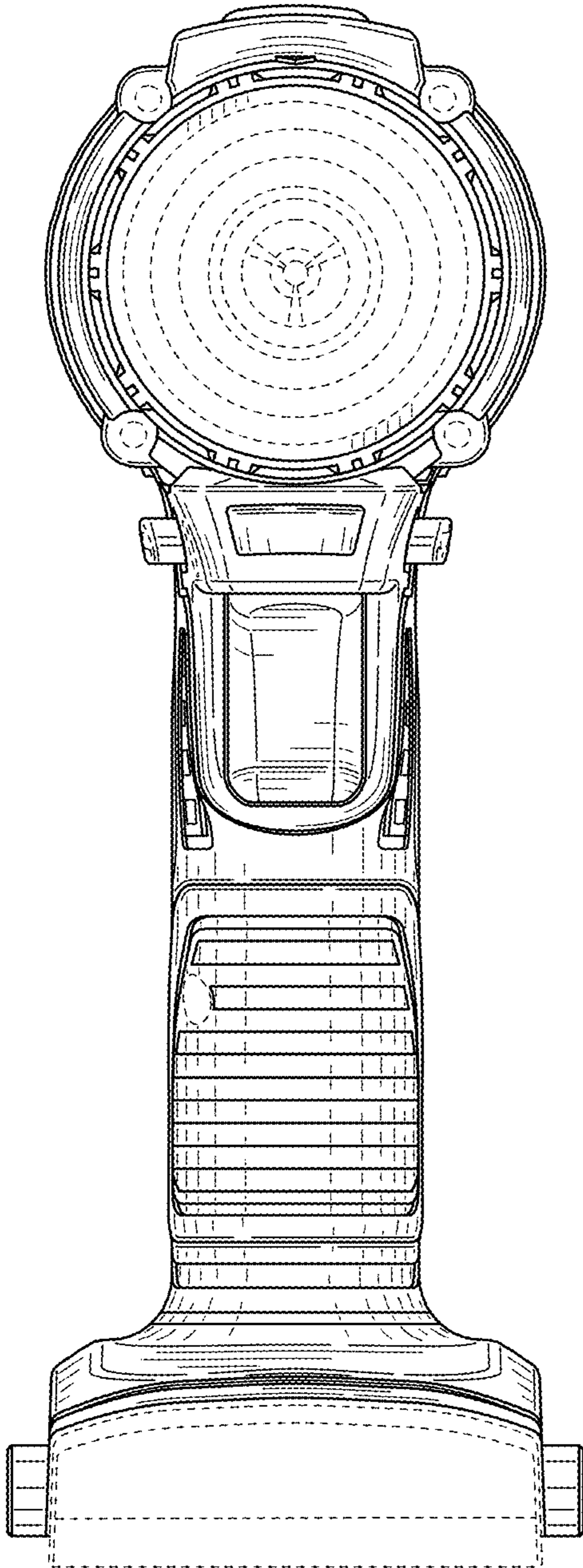


FIG. 2

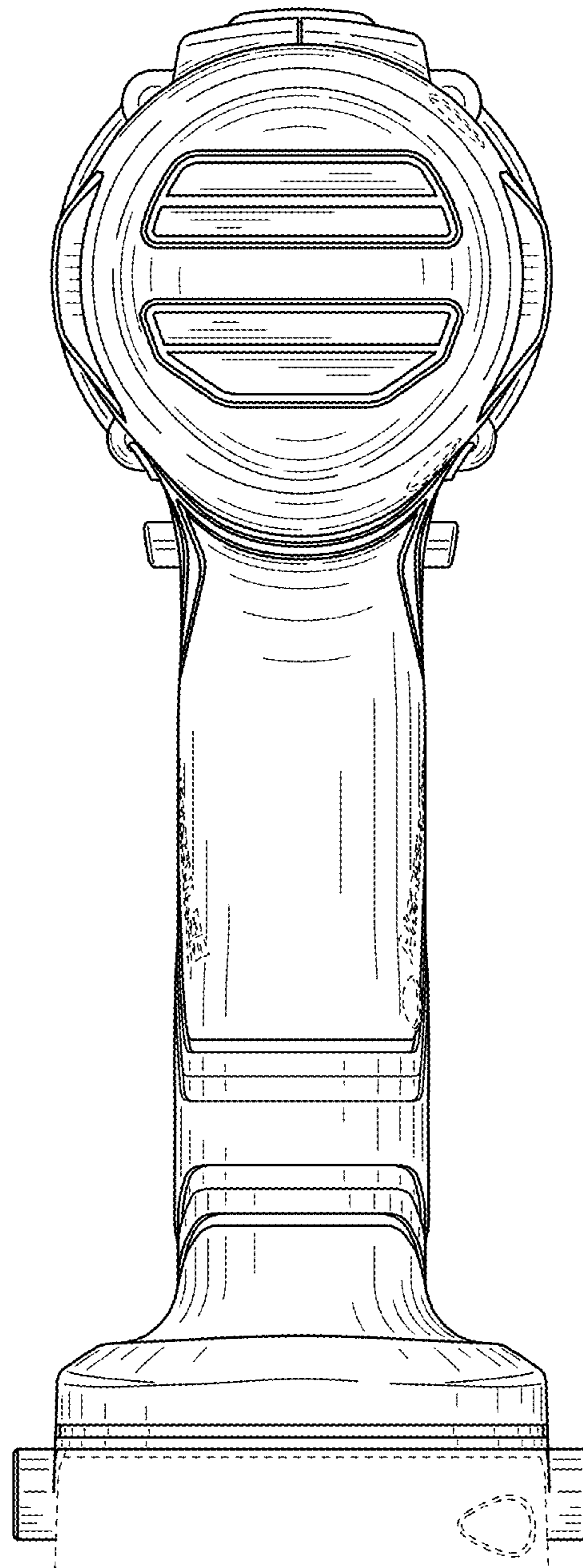


FIG. 3

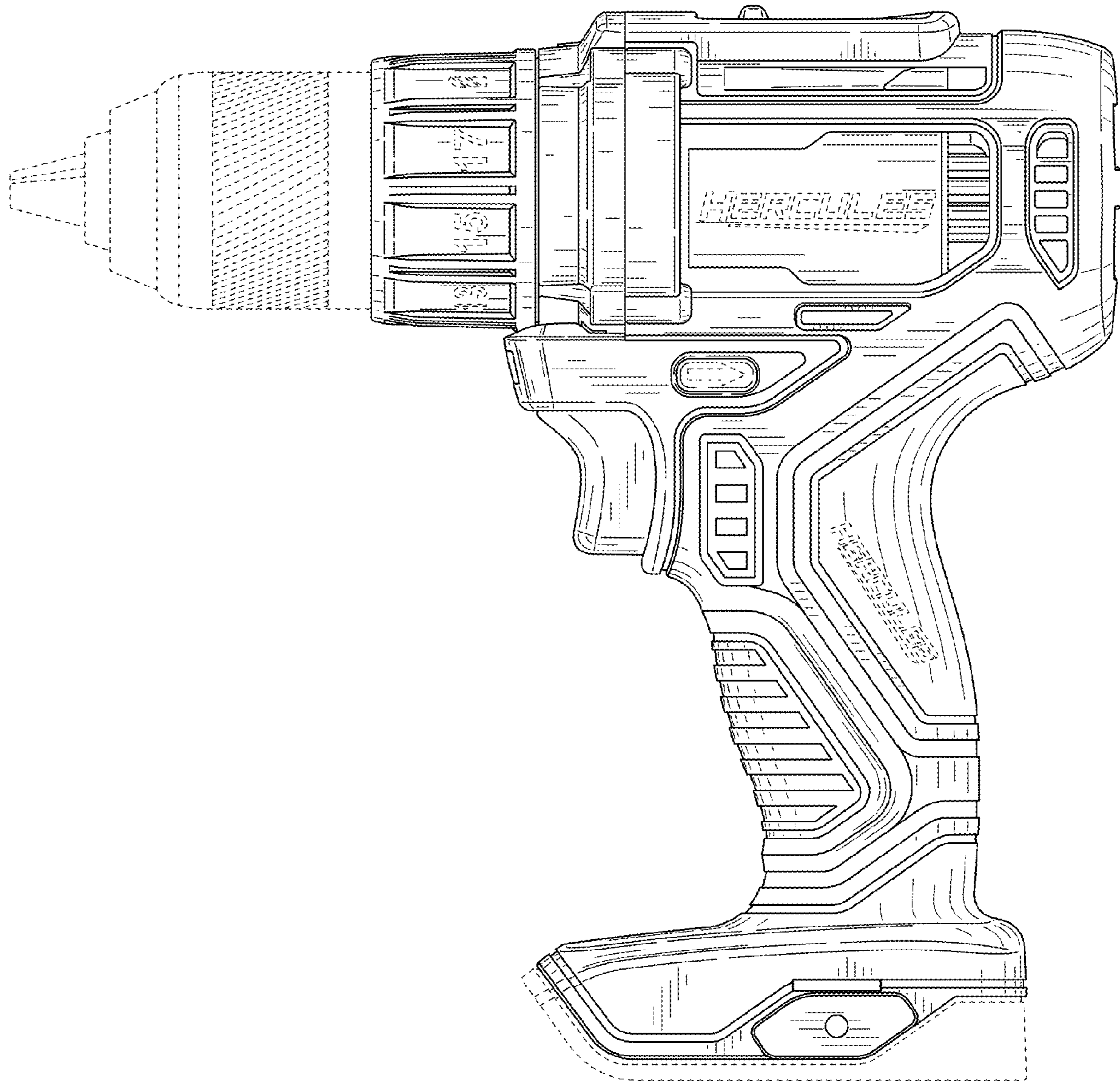


FIG. 4

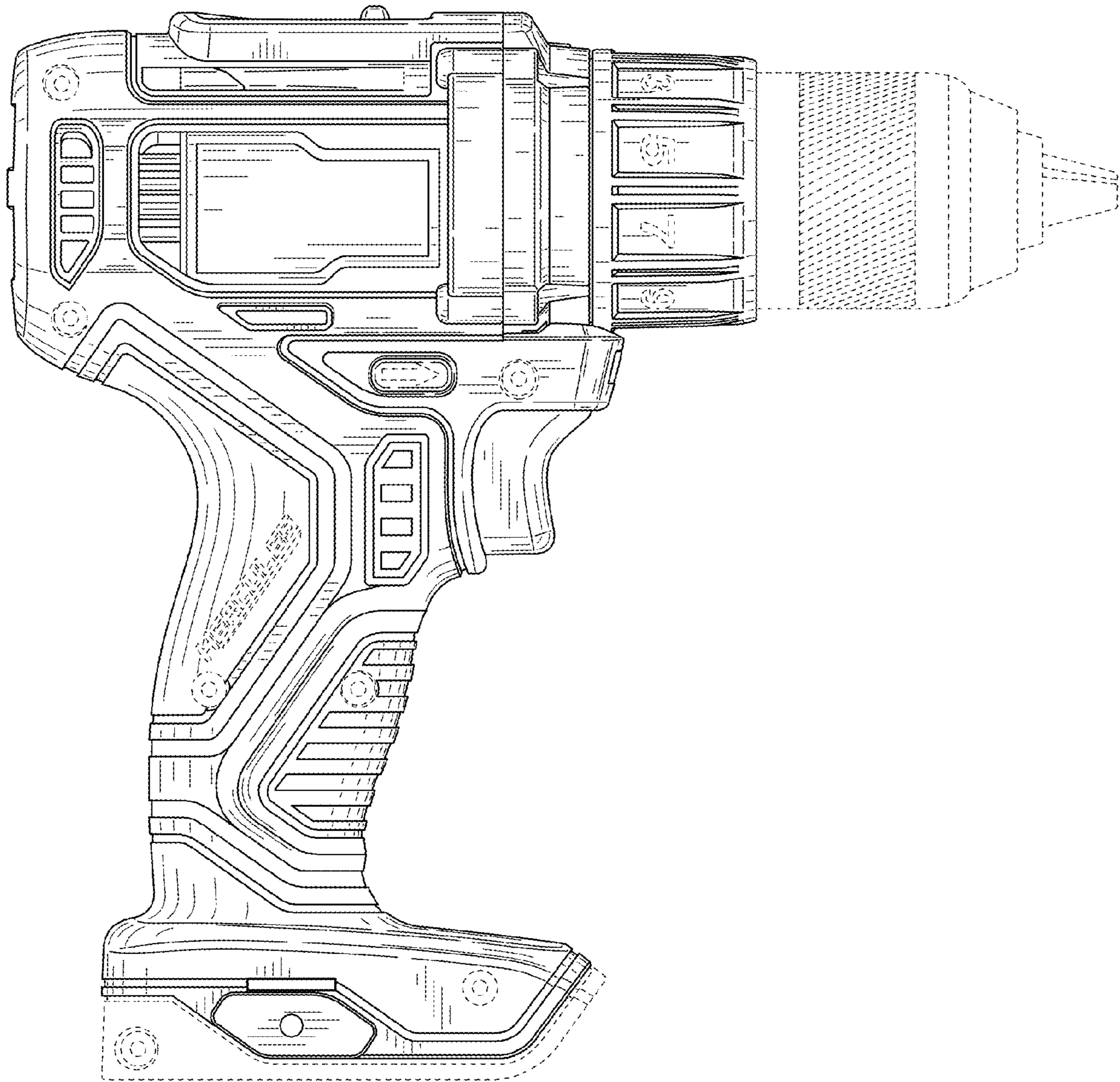


FIG. 5

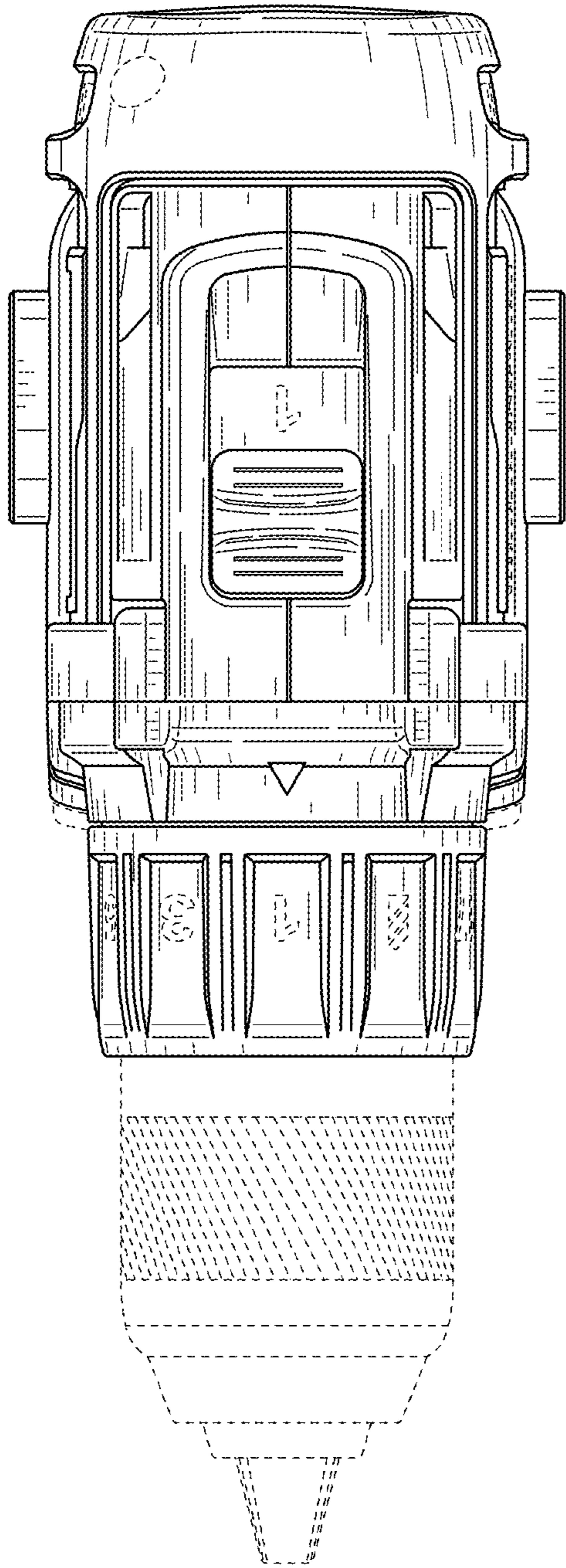


FIG. 6

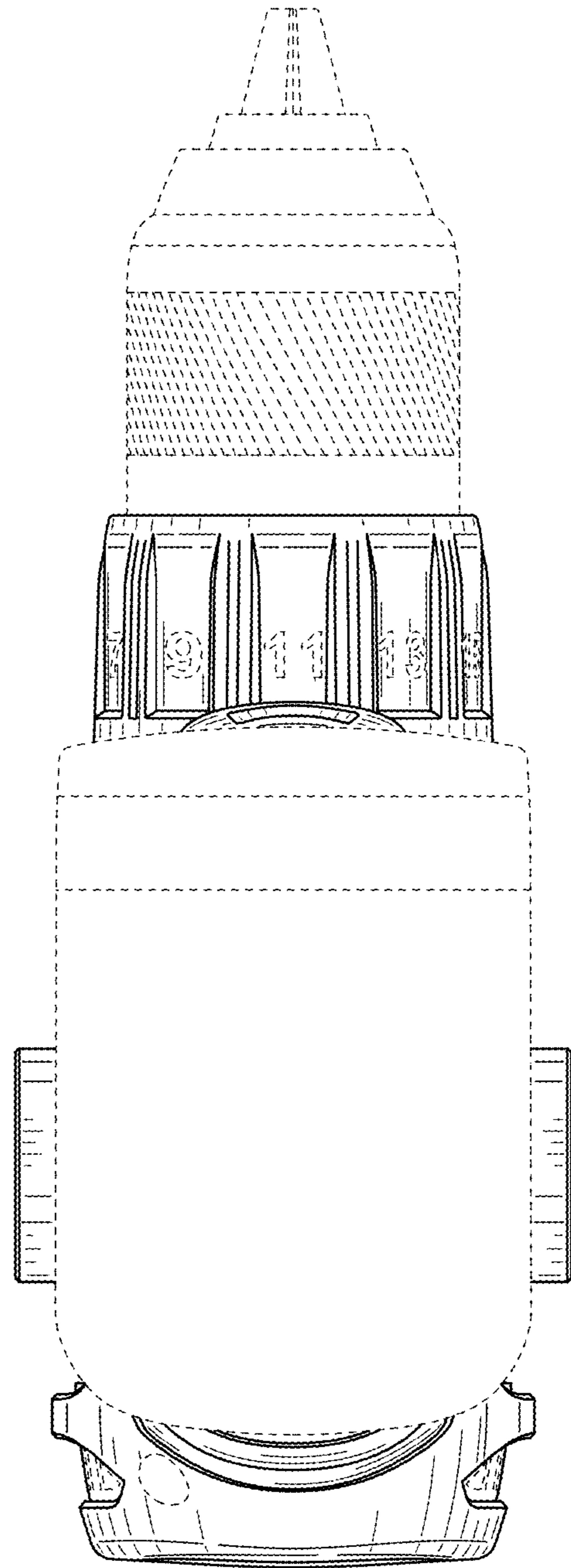


FIG. 7

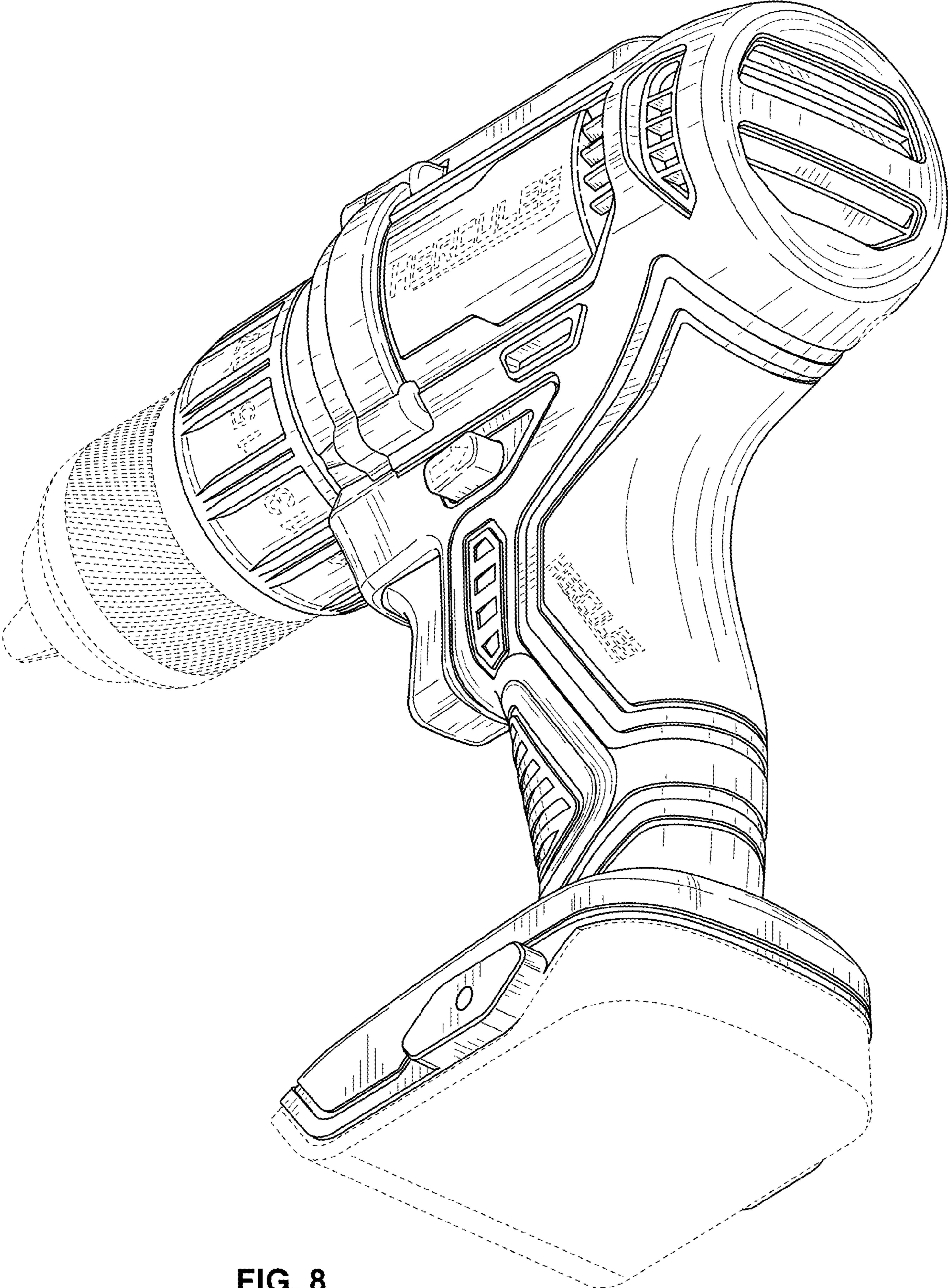


FIG. 8