



US00D895388S

(12) **United States Design Patent** (10) **Patent No.:** **US D895,388 S**
Matteo (45) **Date of Patent:** **** Sep. 8, 2020**

(54) **POWER DRILL**

(71) Applicant: **Harbor Freight Tools USA, Inc.**,
Calabasas, CA (US)

(72) Inventor: **Michael Matteo**, Los Angeles, CA (US)

(73) Assignee: **Harbor Freight Tools USA, INC.**,
Calabasas, CA (US)

(**) Term: **15 Years**

(21) Appl. No.: **29/688,107**

(22) Filed: **Apr. 18, 2019**

(51) **LOC (12) Cl.** **08-05**

(52) **U.S. Cl.**
USPC **D8/68**

(58) **Field of Classification Search**
USPC D8/61, 67, 68
CPC . B21J 15/043; B21J 15/22; B21J 15/36; B21J
15/326
See application file for complete search history.

(56) **References Cited**

U.S. PATENT DOCUMENTS

| | | | |
|--------------|---------|-----------------|-------|
| D460,674 S | 7/2002 | Heun | |
| D462,248 S | 9/2002 | Cooper | |
| D466,777 S * | 12/2002 | Watson | D8/68 |
| D466,779 S * | 12/2002 | Shibata | D8/68 |
| D466,781 S * | 12/2002 | Matsuoka | D8/68 |
| D467,483 S | 12/2002 | Heun | |
| D479,456 S | 9/2003 | Murray et al. | |
| 6,729,413 B2 | 5/2004 | Turner et al. | |
| D496,843 S | 10/2004 | Sugawara et al. | |
| D506,914 S | 7/2005 | Okuda | |
| D508,643 S * | 8/2005 | Concari | D8/68 |
| D515,377 S * | 2/2006 | Chung | D8/68 |
| D520,834 S | 5/2006 | Furuta et al. | |
| D525,848 S * | 8/2006 | Kokawa | D8/68 |
| D527,971 S * | 9/2006 | Kokawa | D8/68 |
| D536,944 S * | 2/2007 | Tsai | D8/68 |

| | | | |
|--------------|---------|-----------------|-------|
| D539,110 S | 3/2007 | Okuda | |
| D540,639 S | 4/2007 | Watson | |
| D546,154 S | 7/2007 | Fong et al. | |
| D556,002 S * | 11/2007 | Ino | D8/68 |
| D559,062 S | 1/2008 | Concari | |
| D574,688 S * | 8/2008 | Yamamoto | D8/68 |
| D589,317 S | 3/2009 | Okuda | |
| D609,544 S | 2/2010 | Lopano et al. | |
| 7,661,486 B2 | 2/2010 | Turner et al. | |
| D615,837 S | 5/2010 | Lopano et al. | |
| D617,621 S | 6/2010 | Houghton et al. | |
| D628,454 S * | 12/2010 | Misaki | D8/68 |

(Continued)

FOREIGN PATENT DOCUMENTS

CN 3609514 2/2007

Primary Examiner — Darlington Ly

(74) *Attorney, Agent, or Firm* — McAndrews Held & Malloy, Ltd.

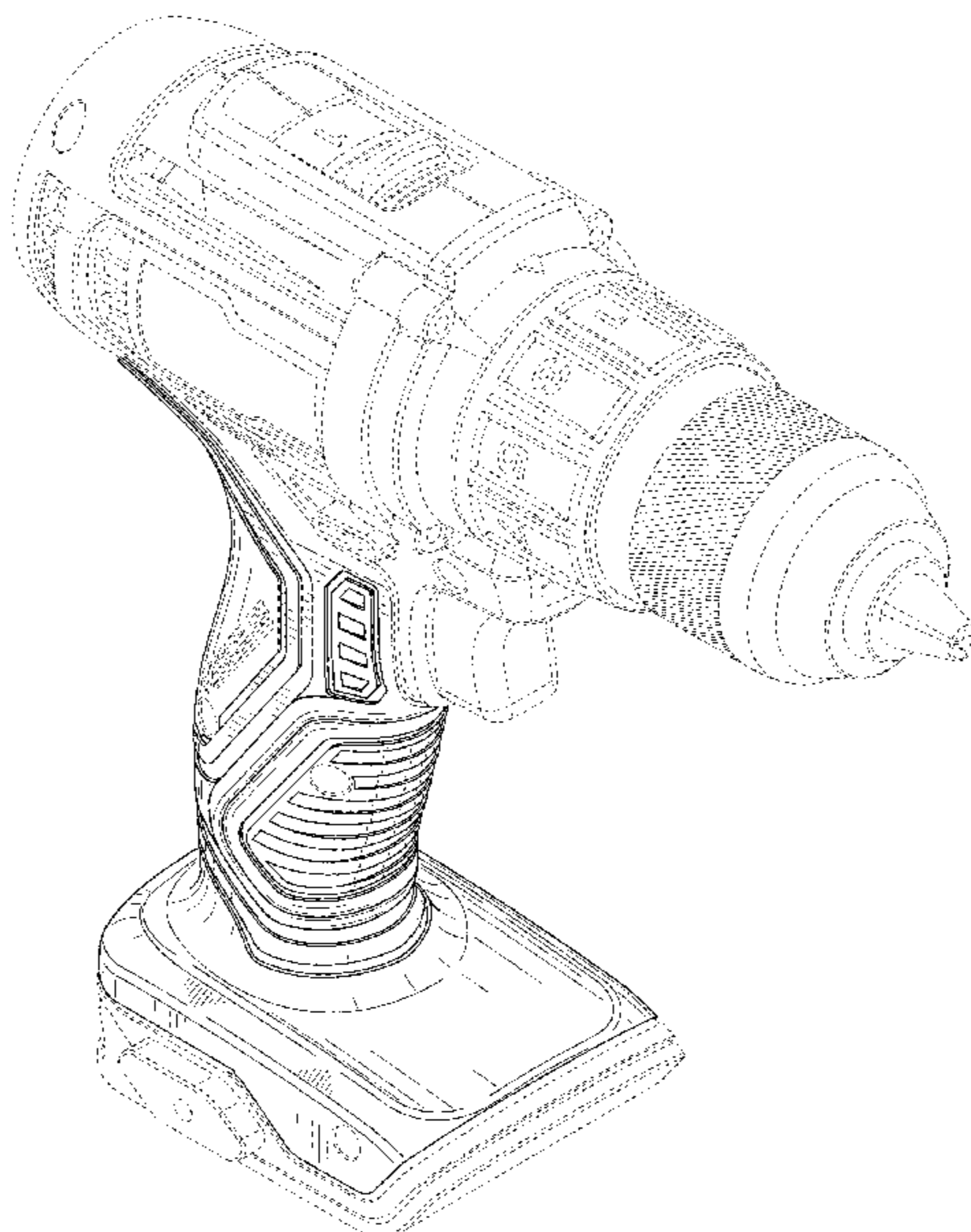
(57) **CLAIM**

The ornamental design for a power tool, as shown and described.

DESCRIPTION

FIG. 1 is a top and front perspective view of a power tool showing my new design;
FIG. 2 is a front elevation view thereof;
FIG. 3 is a rear elevation view thereof;
FIG. 4 is a right side elevation view thereof;
FIG. 5 is a left side elevation view thereof;
FIG. 6 is a top plan view thereof;
FIG. 7 is a bottom plan view thereof; and,
FIG. 8 is a bottom and rear perspective view thereof.
The dashed broken lines in the figures illustrate portions of the power tool that form no part of the claimed design.
The dot-dash broken lines in the figures illustrate a boundary line that forms no part of the claimed design.

1 Claim, 6 Drawing Sheets



(56)

References Cited

U.S. PATENT DOCUMENTS

| | | | | |
|--------------|------|---------|-------------------|----------------------|
| D642,037 | S * | 7/2011 | Miller | D8/68 |
| D646,947 | S * | 10/2011 | Lopano | D8/68 |
| 8,181,717 | B2 | 5/2012 | Turner et al. | |
| 8,267,192 | B2 | 9/2012 | Lopano et al. | |
| D670,989 | S * | 11/2012 | Kawase | D8/61 |
| 8,312,937 | B2 | 11/2012 | Turner et al. | |
| D675,500 | S * | 2/2013 | Taniguchi | D8/68 |
| D678,025 | S * | 3/2013 | Naksen | D8/68 |
| D678,744 | S * | 3/2013 | Aoki | D8/68 |
| D679,161 | S * | 4/2013 | Kawase | D8/61 |
| D684,028 | S * | 6/2013 | Costoli | 173/90 |
| D685,245 | S * | 7/2013 | Tirone | D8/68 |
| 8,573,324 | B2 | 11/2013 | Turner et al. | |
| D700,821 | S * | 3/2014 | Tschopp | D8/68 |
| D708,496 | S * | 7/2014 | Zhou | D8/68 |
| 2015/0041164 | A1 * | 2/2015 | Sergyeyenko | B25B 23/147 173/1 |

* cited by examiner

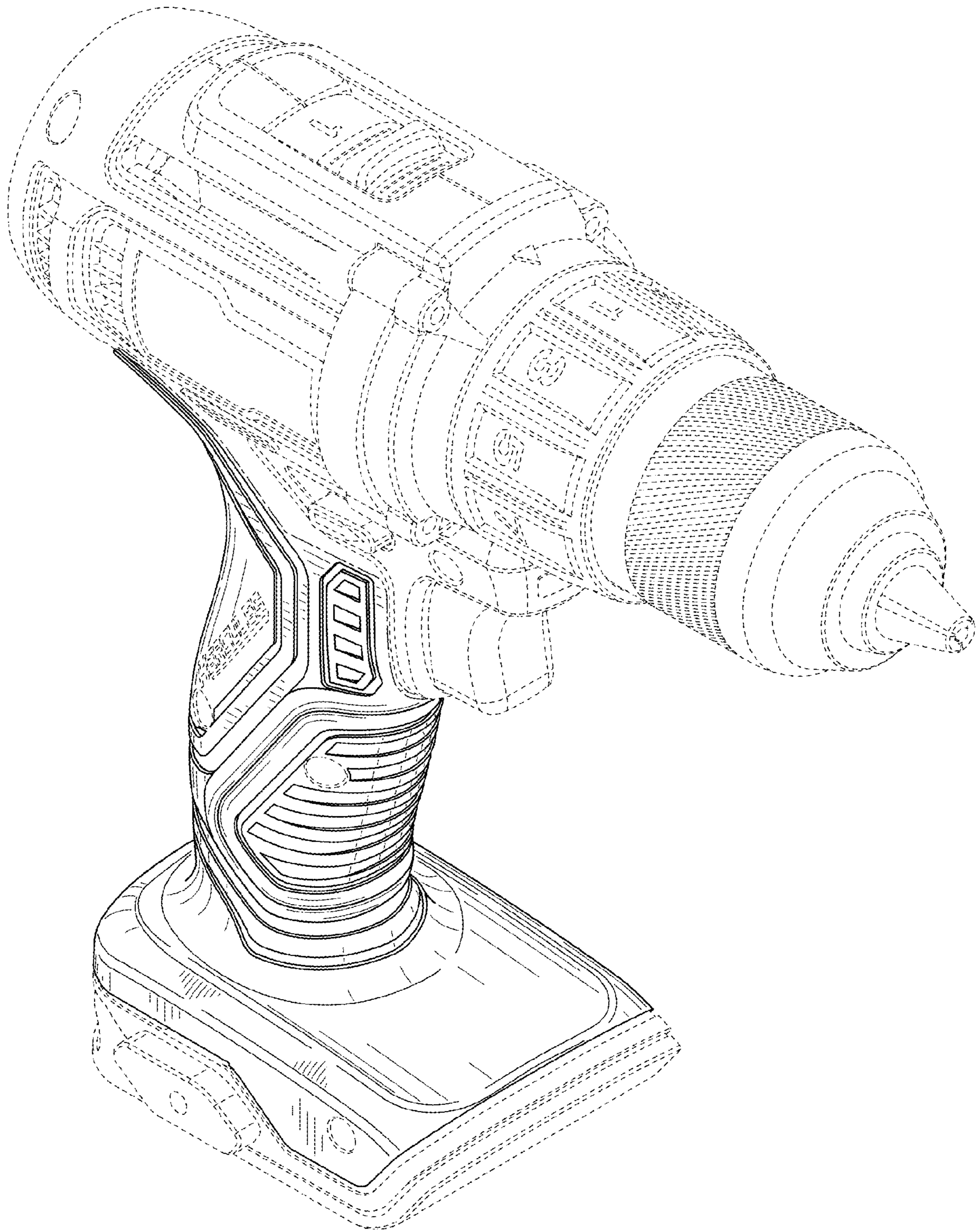


FIG. 1

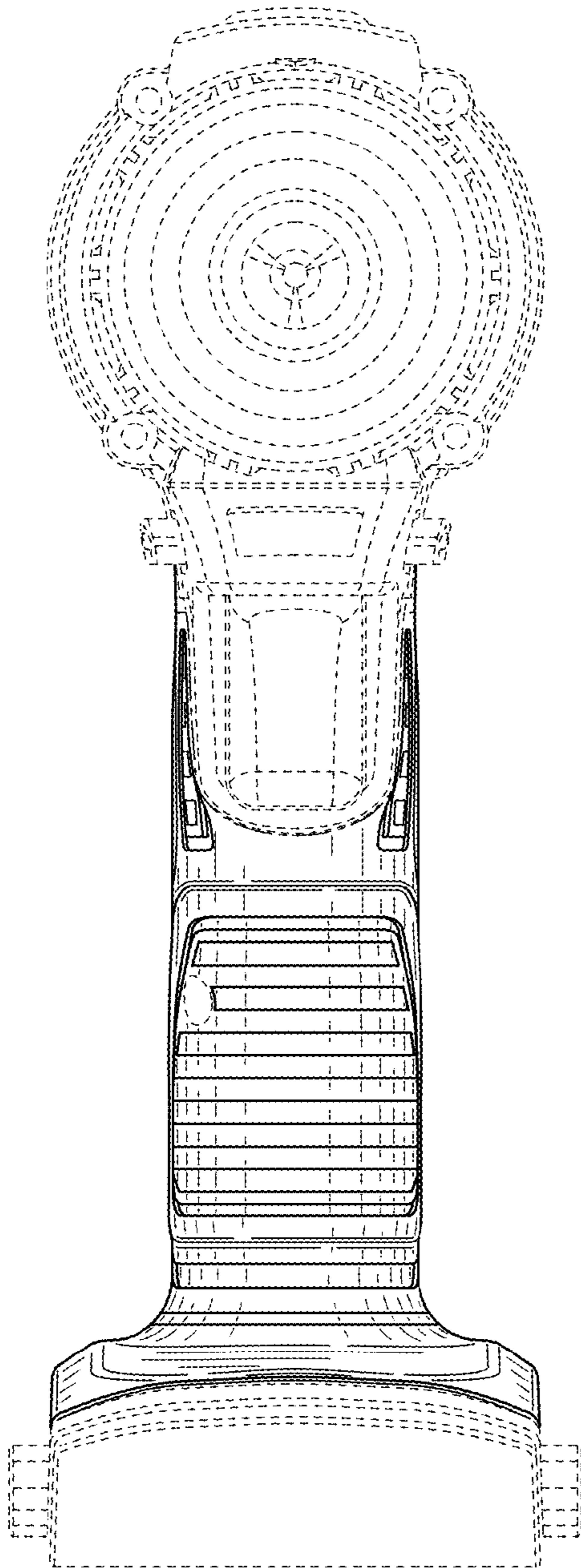


FIG. 2

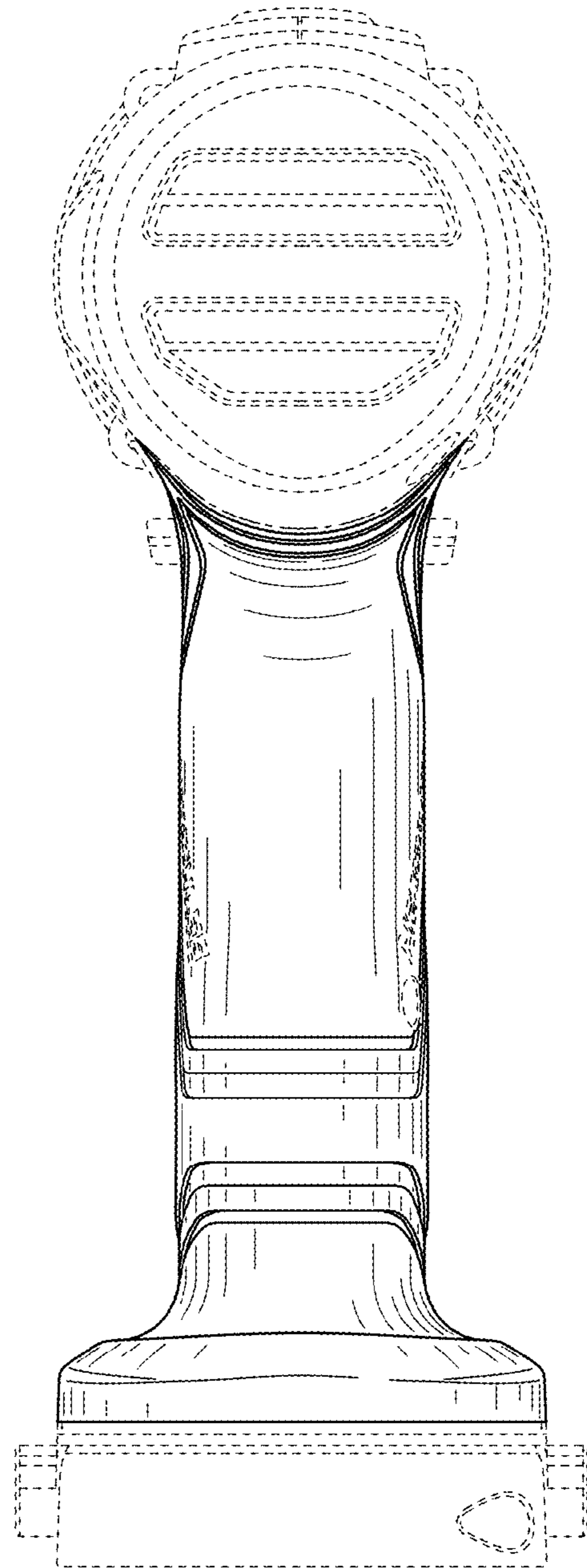


FIG. 3

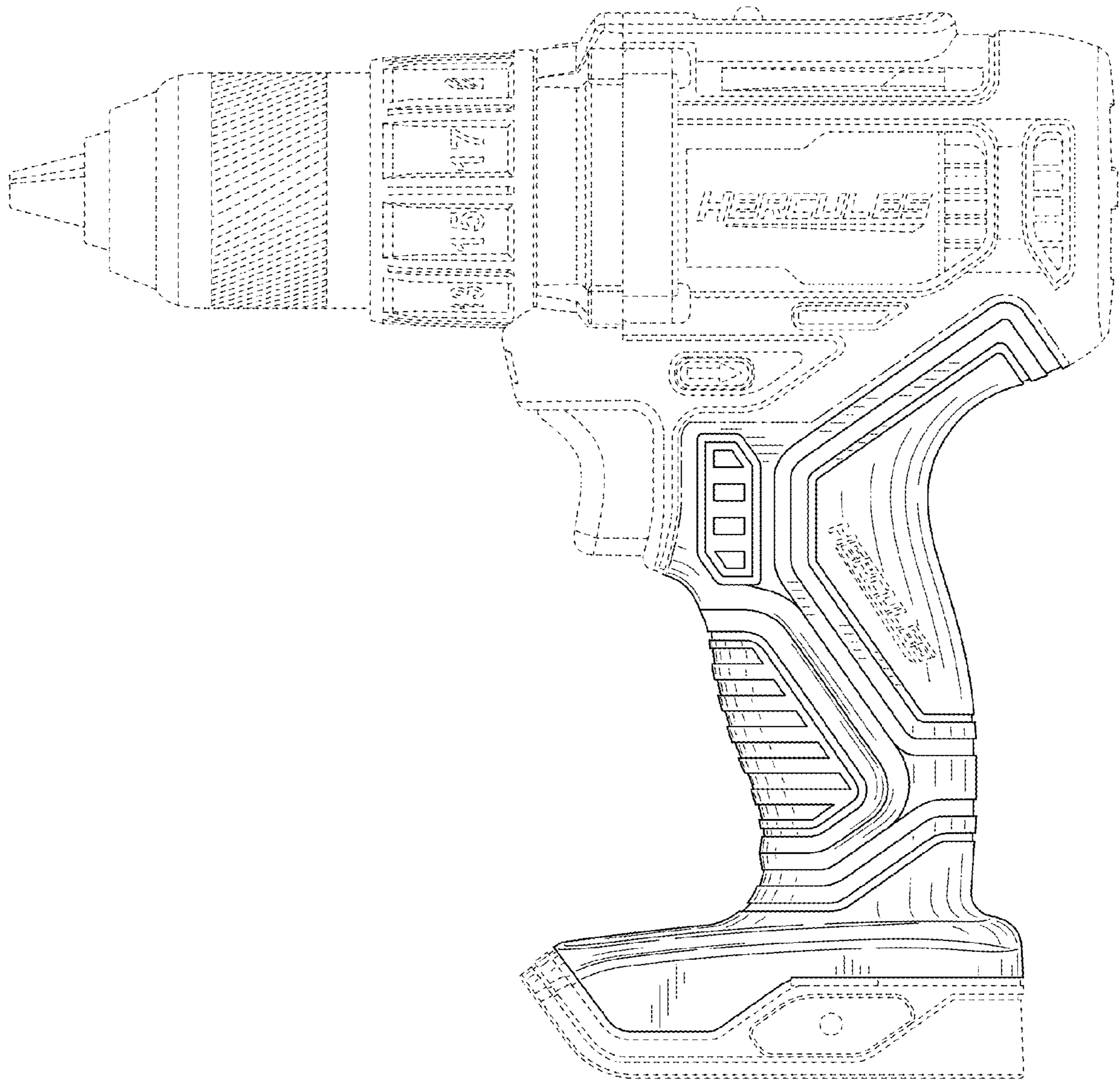


FIG. 4

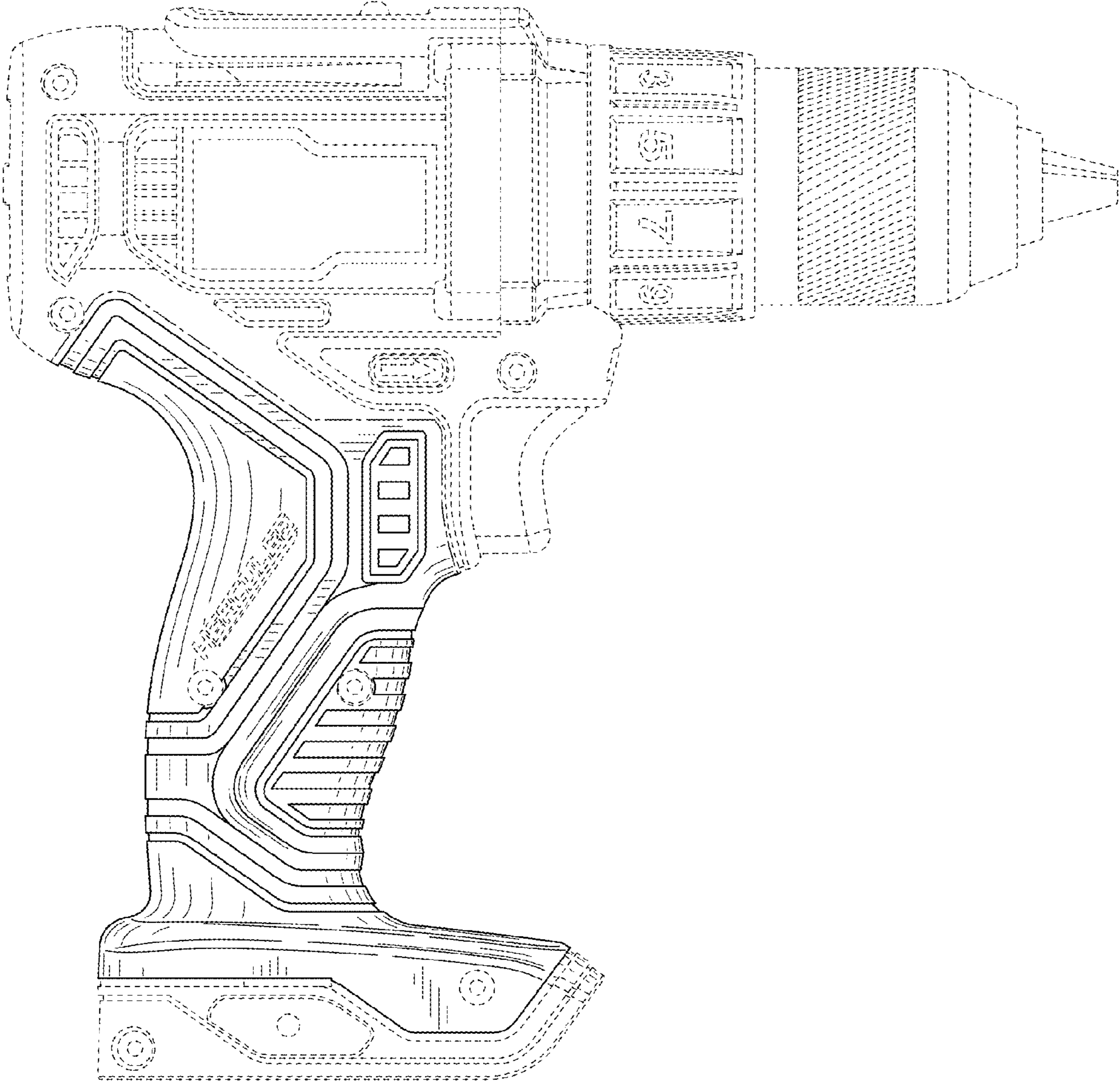


FIG. 5

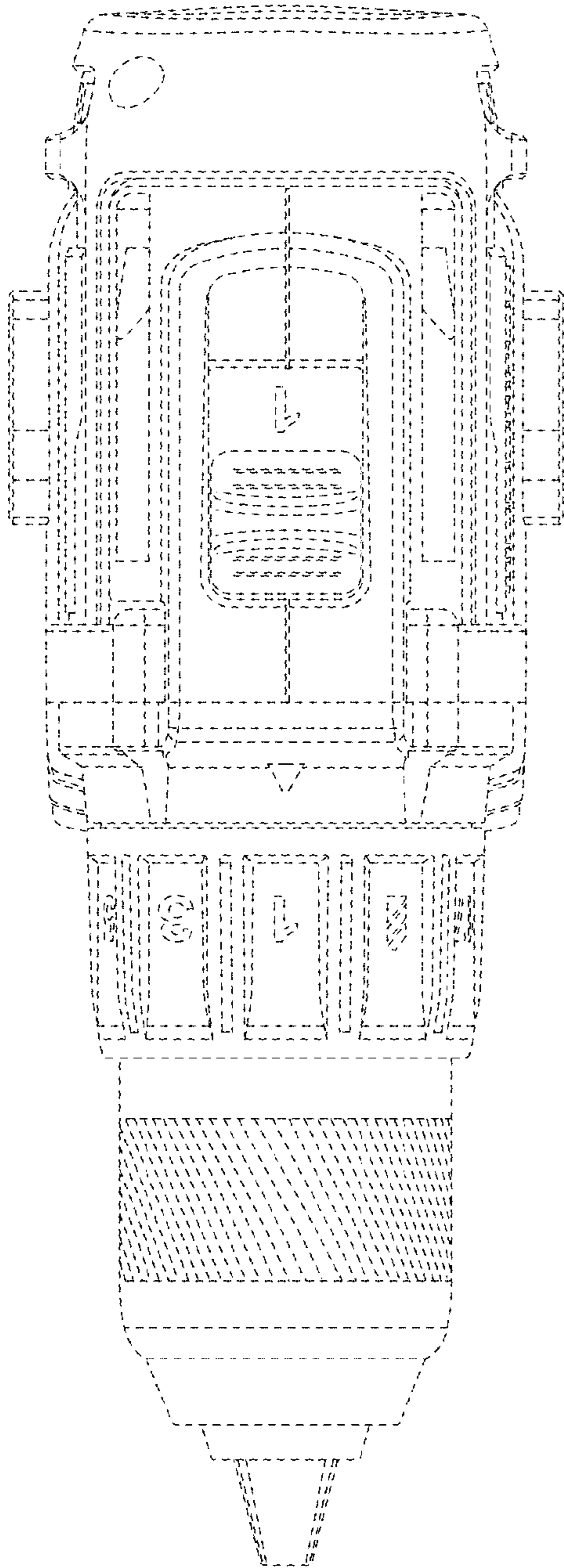


FIG. 6

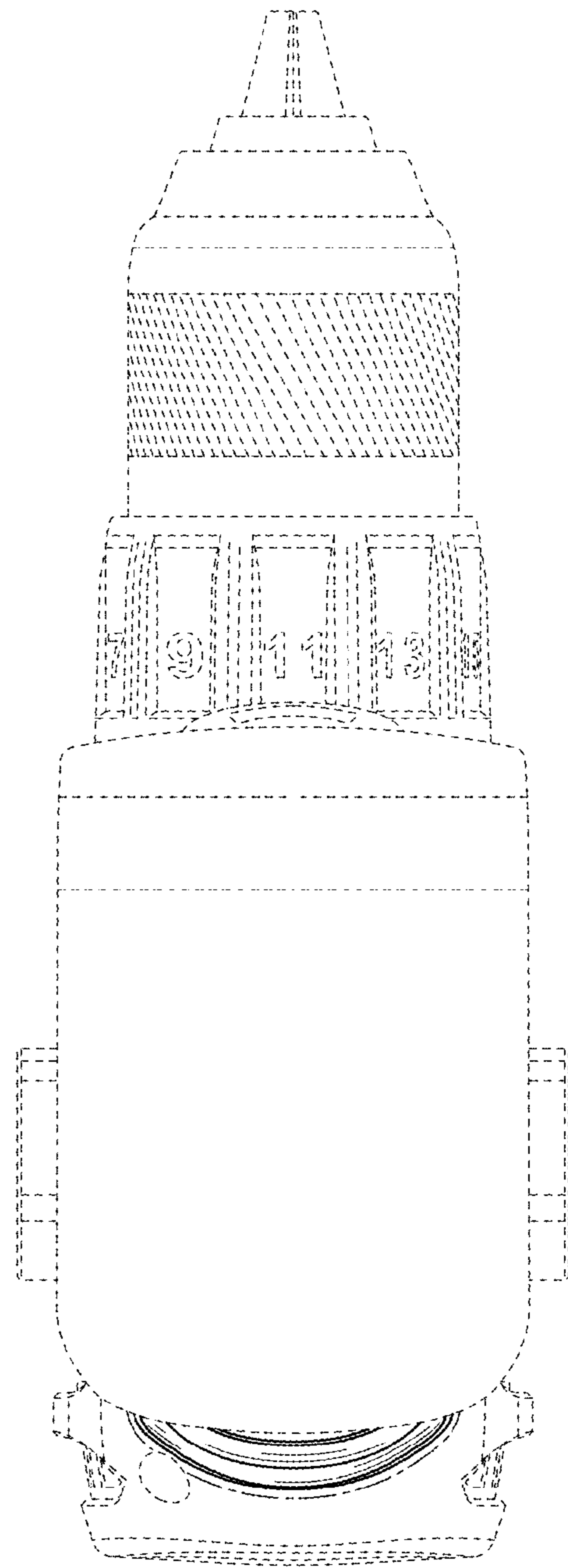


FIG. 7

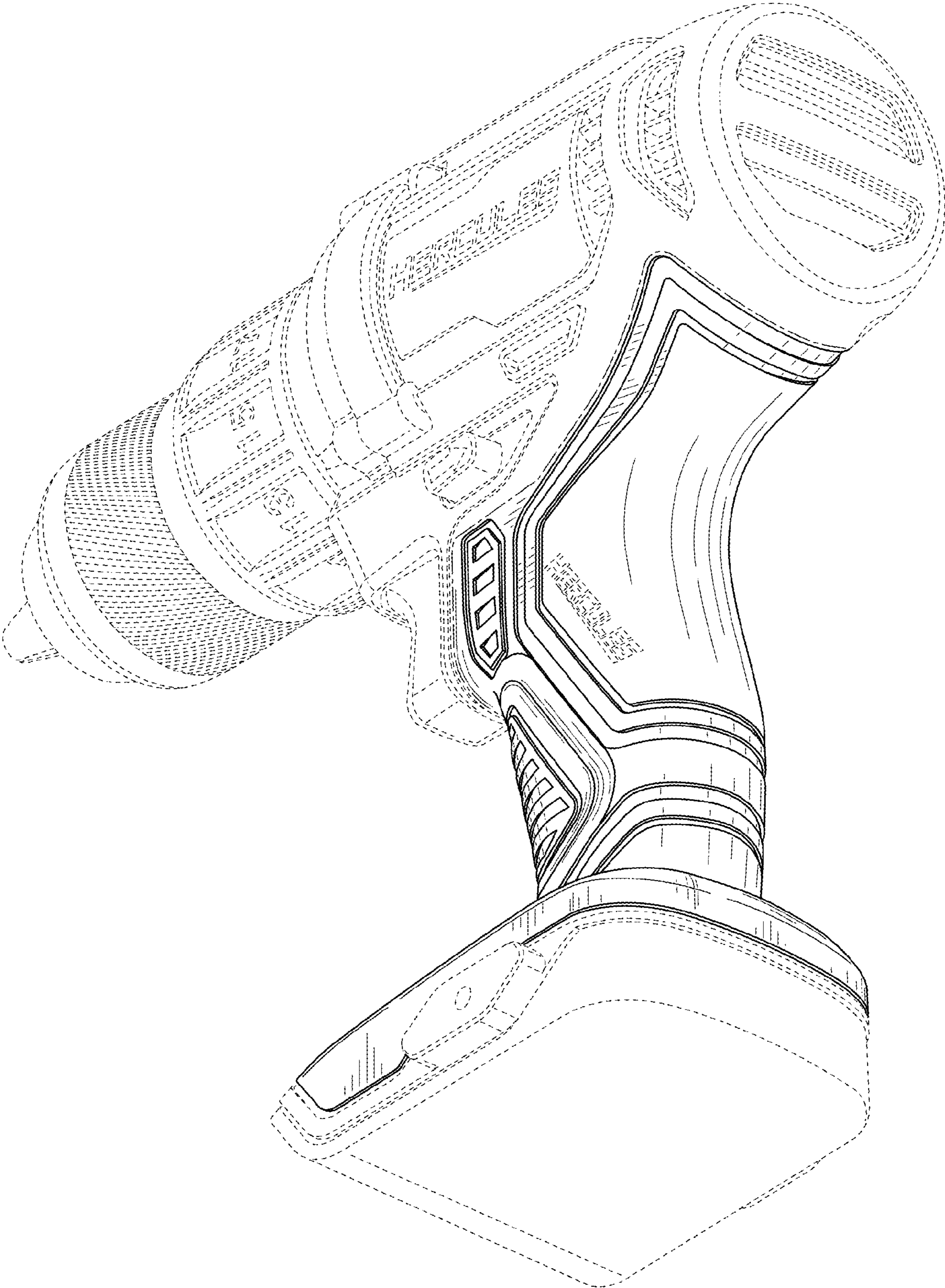


FIG. 8