

US00D895387S

(12) **United States Design Patent**
Wyser

(10) **Patent No.:** **US D895,387 S**
(45) **Date of Patent:** **** Sep. 8, 2020**

- (54) **FLOOR GRINDING MACHINE**
- (71) Applicant: **AIRTEC AG**, Zunzgen (CH)
- (72) Inventor: **Thomas Wyser**, Zunzgen (CH)
- (73) Assignee: **AIRTEC AG**, Zunzgen (CH)
- (**) Term: **15 Years**
- (21) Appl. No.: **29/687,163**
- (22) Filed: **Apr. 11, 2019**
- (30) **Foreign Application Priority Data**

Dec. 11, 2018 (CH) WIPO80313

- (51) **LOC (12) Cl.** **08-05**
- (52) **U.S. Cl.**
USPC **D8/62; D15/124**
- (58) **Field of Classification Search**
USPC D15/10, 13, 23-26, 28, 124; 451/11,
451/270, 271, 340, 344, 350, 351, 352,
451/353, 355, 357, 358; D8/8, 62, 107
CPC .. E01H 5/04; E01H 5/098; E01H 5/09; E01H
5/045; E01H 5/06; E01H 5/061; E01H
5/066; E01H 5/02
See application file for complete search history.

(56) **References Cited**
U.S. PATENT DOCUMENTS

- 3,102,372 A * 9/1963 Vezner B24B 7/186
451/353
- 3,412,415 A * 11/1968 Brab A47L 11/16
15/50.1
- 4,097,950 A * 7/1978 Satterfield A47L 11/16
15/385
- 4,115,890 A * 9/1978 Burgoon A47L 11/162
15/143.1
- D256,881 S * 9/1980 Hutchins D15/124
- D260,847 S * 9/1981 Biederman 451/359

- 5,768,735 A * 6/1998 Wiese A47L 11/4075
15/49.1
- 6,921,320 B1 * 7/2005 Nielson B24B 7/186
451/353
- 7,147,548 B1 * 12/2006 Mehrabi B24B 7/186
451/323
- 7,247,085 B1 * 7/2007 Anderson A47L 11/162
15/340.1
- 7,261,623 B1 * 8/2007 Palushi B24B 7/186
451/350
- 7,563,156 B2 * 7/2009 Anderson B24B 7/186
451/353
- 7,568,254 B2 * 8/2009 Duncan A47L 11/16
15/320
- 7,587,779 B2 * 9/2009 Walz A47L 11/283
15/180
- D620,509 S * 7/2010 Hauenstein D15/124
- 7,997,960 B2 * 8/2011 Williams, Sr. B24B 7/186
451/350

(Continued)

Primary Examiner — Mark A Goodwin
Assistant Examiner — Benjamin M Weeks
(74) *Attorney, Agent, or Firm* — Donald J. Ersler

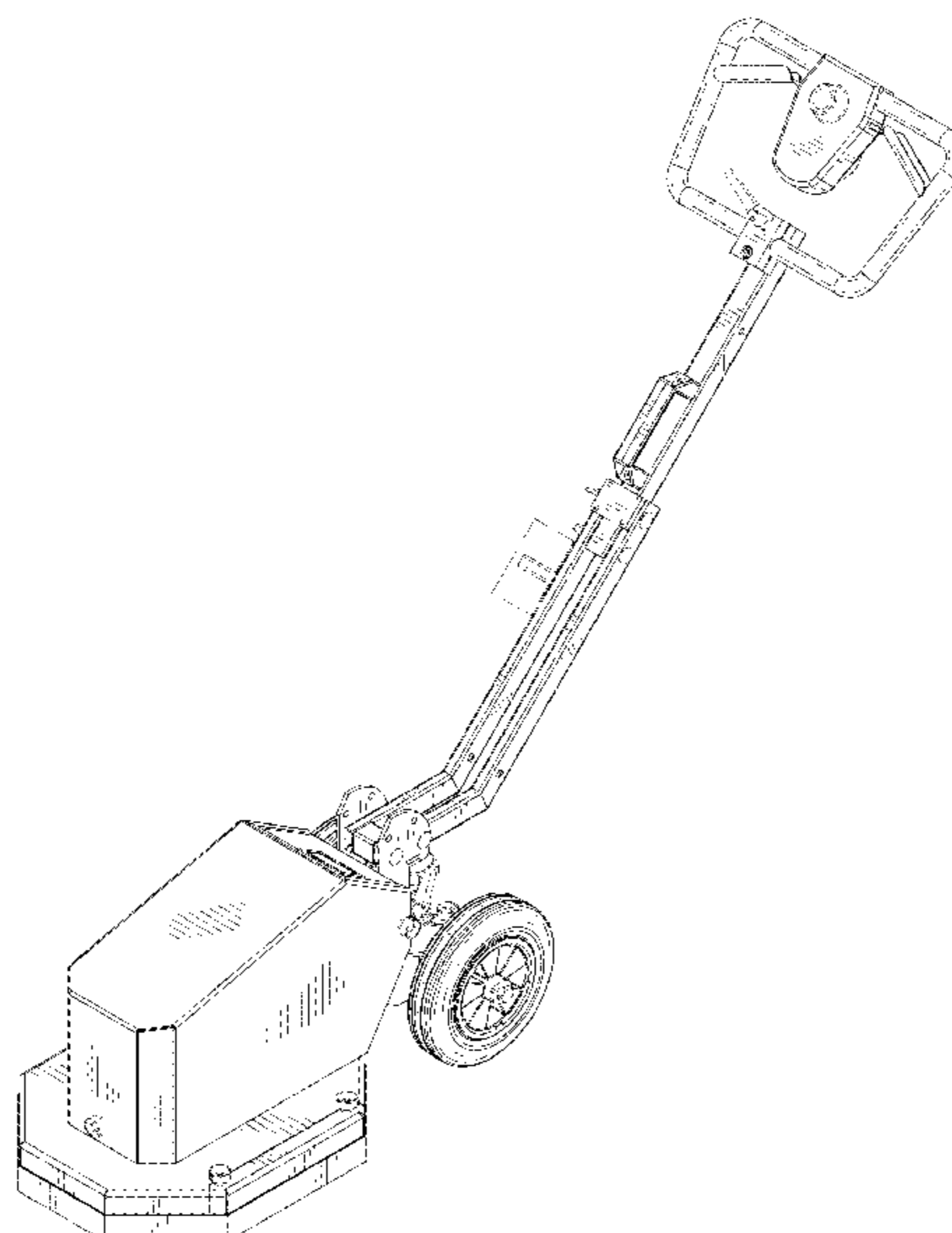
(57) **CLAIM**

The ornamental design for a floor grinding machine, as shown and described.

DESCRIPTION

FIG. 1 is a perspective view of a floor grinding machine incorporating my new design;
FIG. 2 is a front elevation view thereof;
FIG. 3 is a rear elevation view thereof;
FIG. 4 is a left side view thereof;
FIG. 5 is a right side view thereof;
FIG. 6 is a top plan view thereof; and,
FIG. 7 is a bottom plan view thereof.
The broken lines shown in the drawings illustrate portions of the floor grinding machine that form no part of the claimed invention.

1 Claim, 7 Drawing Sheets



(56)

References Cited

U.S. PATENT DOCUMENTS

8,147,297 B2 * 4/2012 Hamm B24B 41/047
451/270
8,356,375 B2 * 1/2013 Geurkink A47L 11/4069
15/49.1
D716,856 S * 11/2014 Brandstetter D15/126
D718,796 S * 12/2014 Popov D15/126
D719,592 S * 12/2014 Inkster D15/126
D719,593 S * 12/2014 Inkster D15/126
D748,695 S * 2/2016 Norton D15/126
D802,032 S * 11/2017 Reinius D15/124
D871,465 S * 12/2019 Johnson D15/124

* cited by examiner

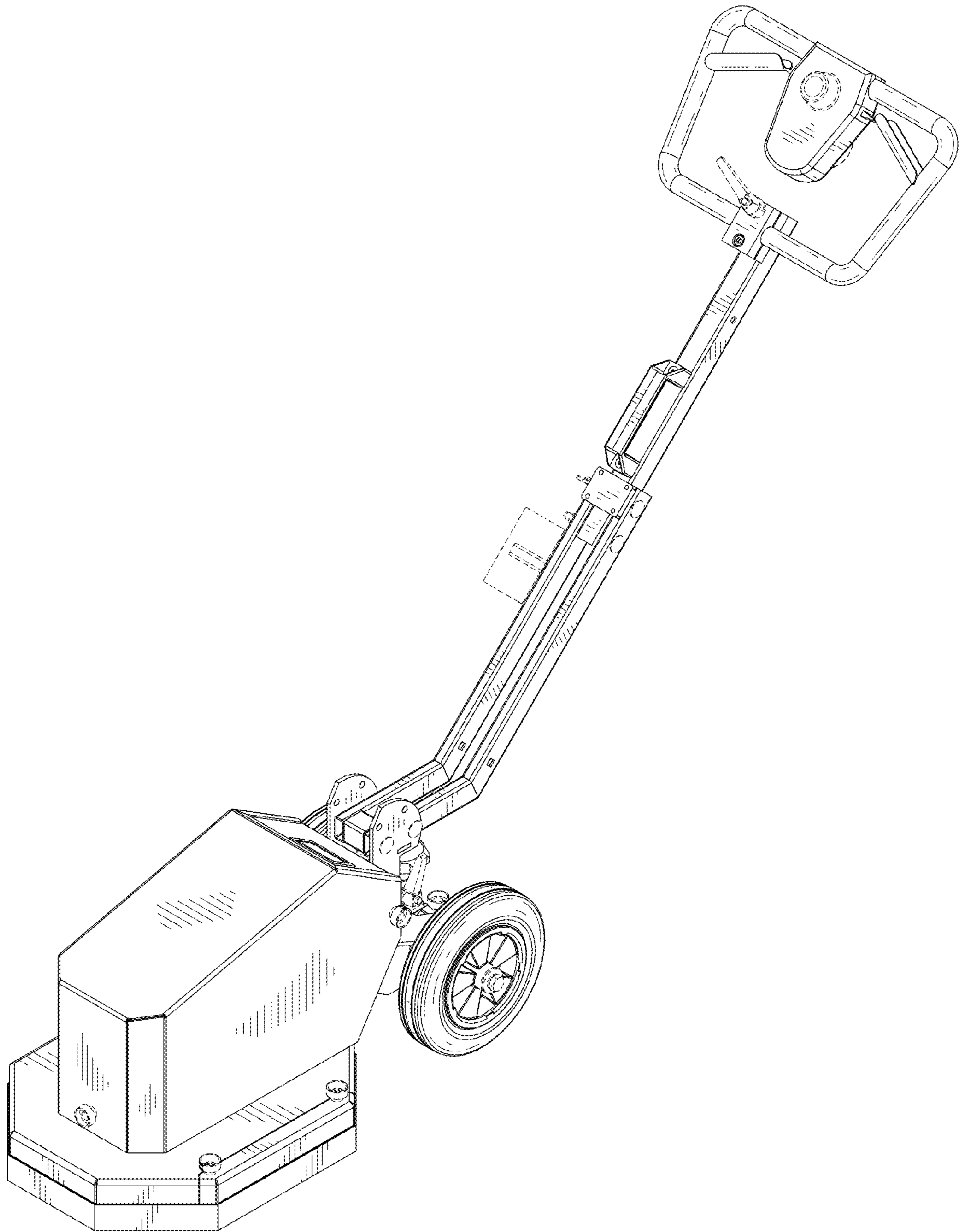


FIG. 1

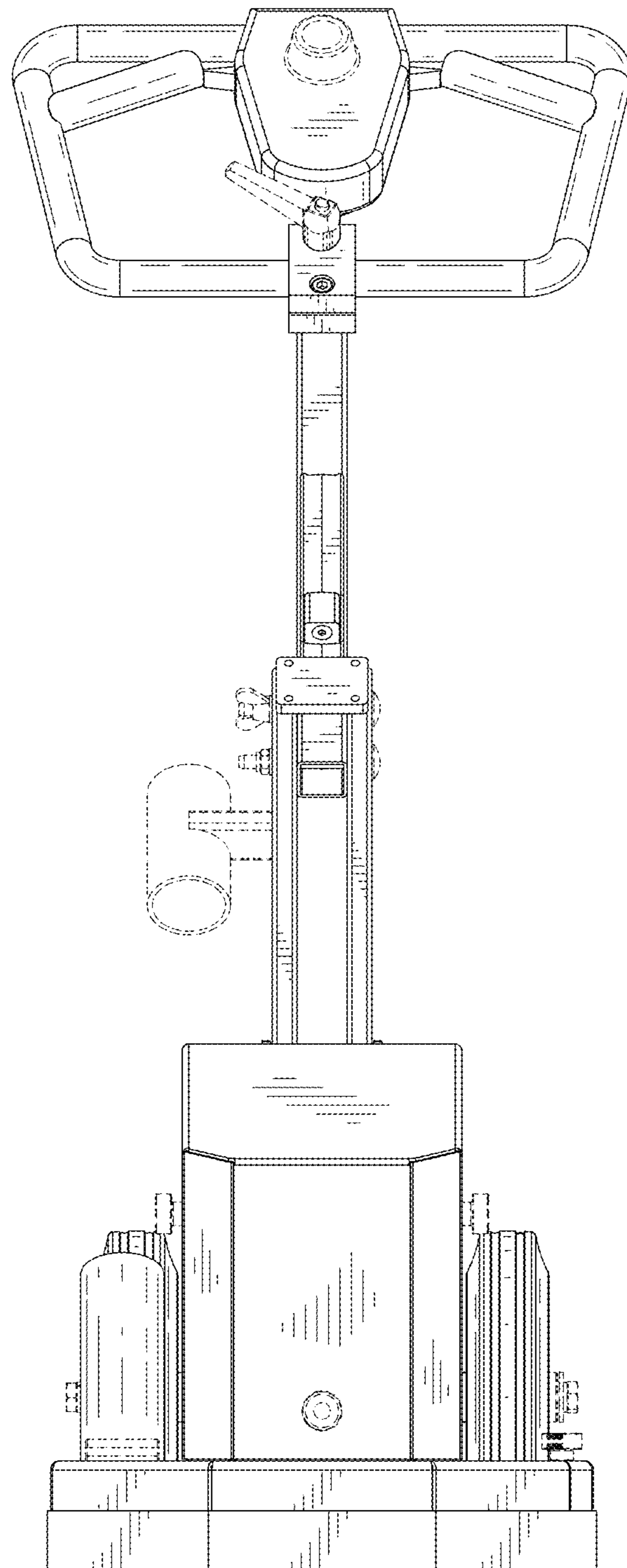


FIG. 2

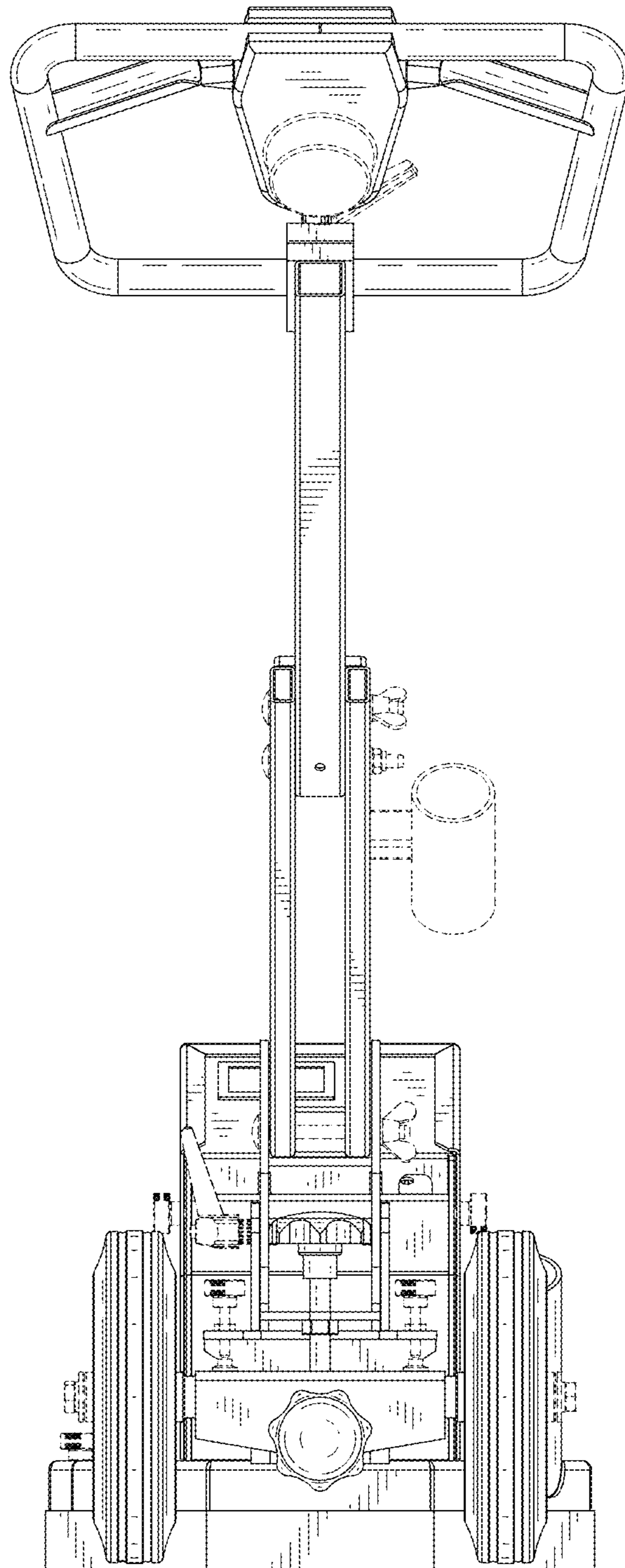


FIG. 3

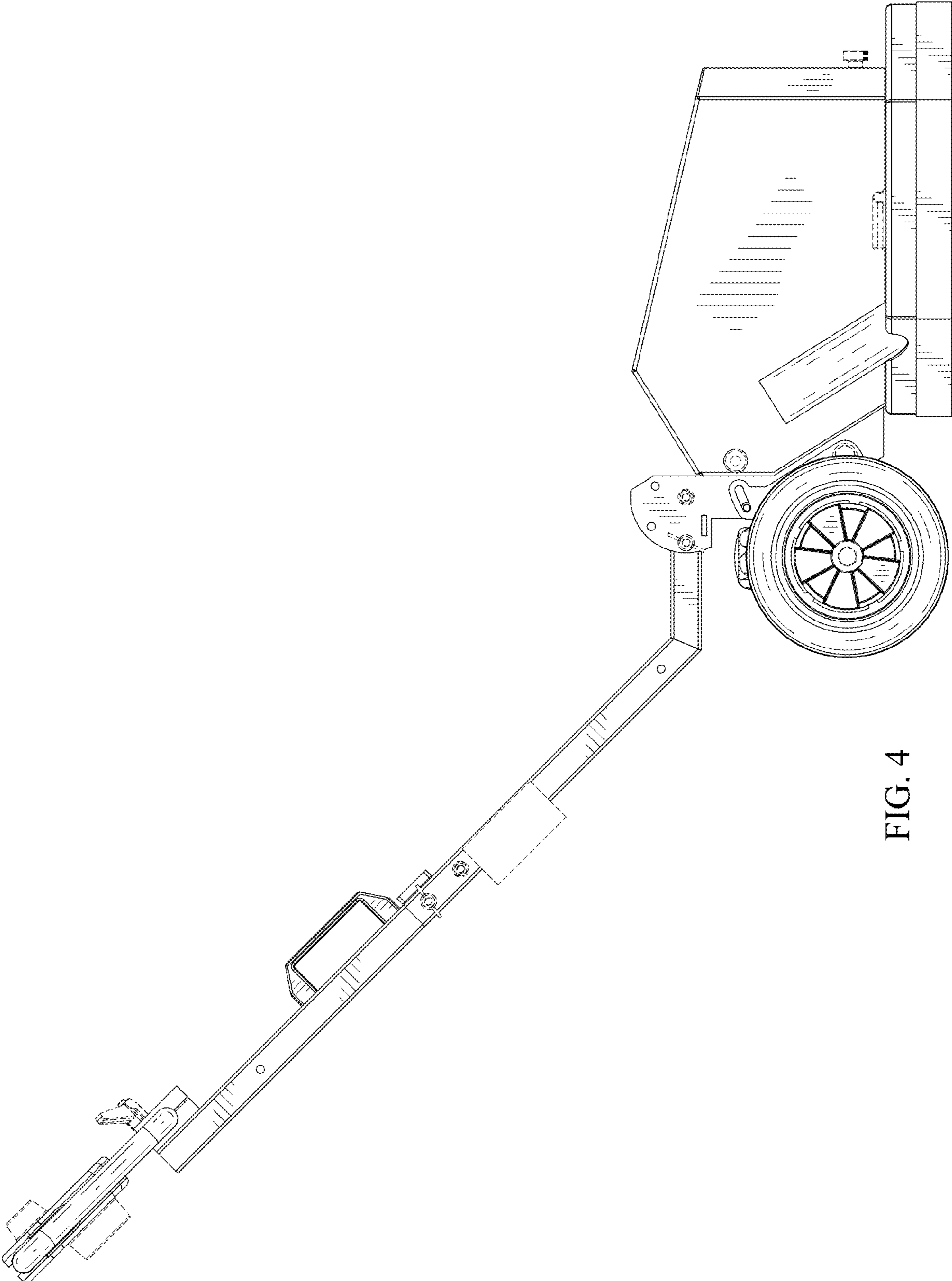


FIG. 4

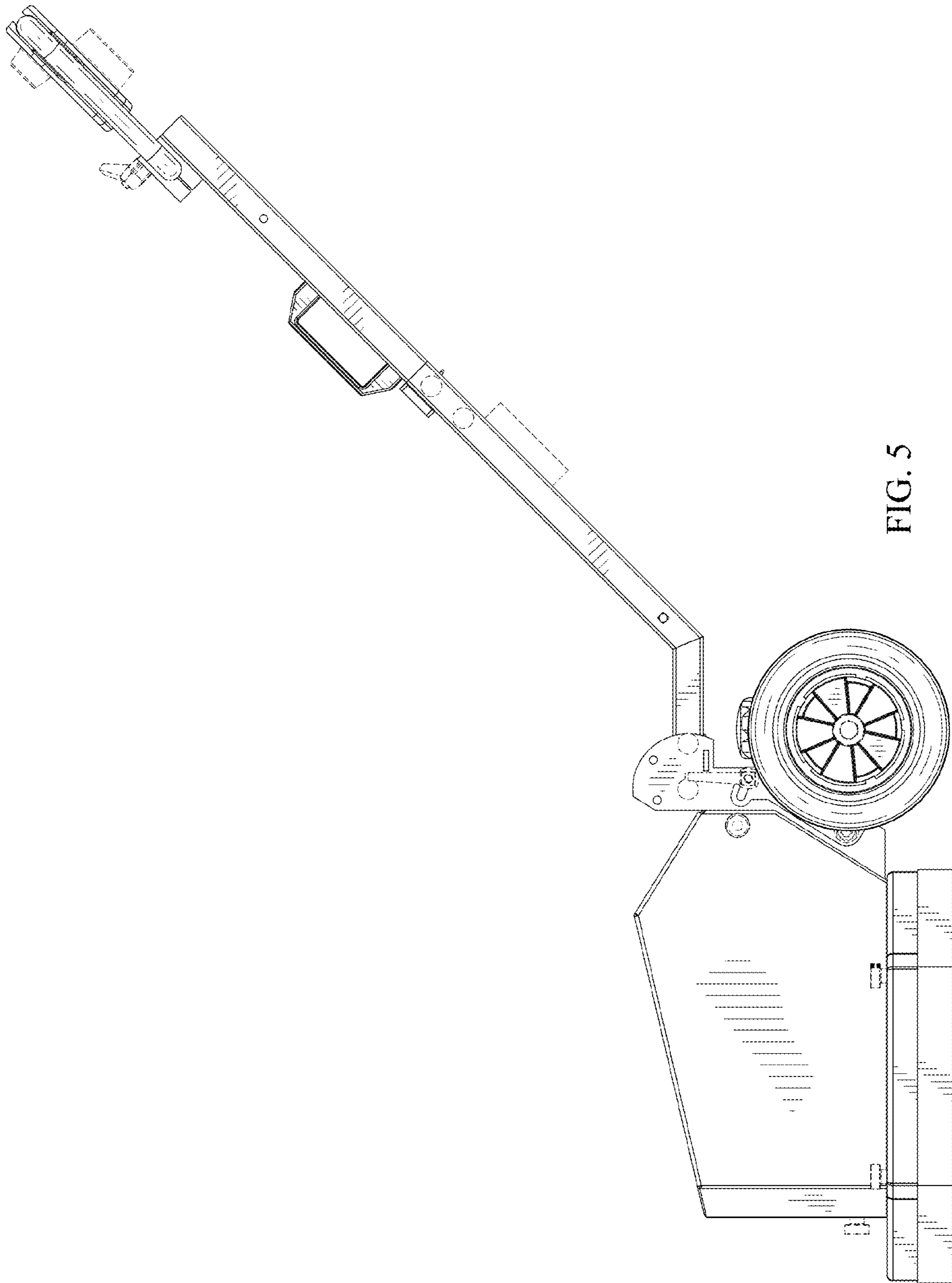


FIG. 5

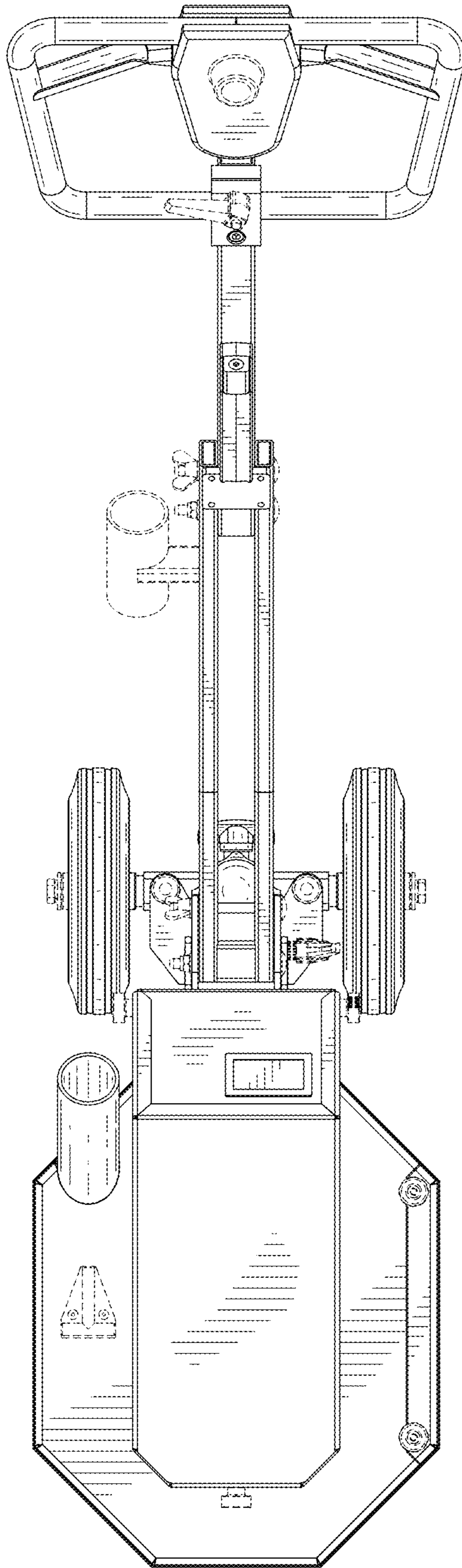


FIG. 6

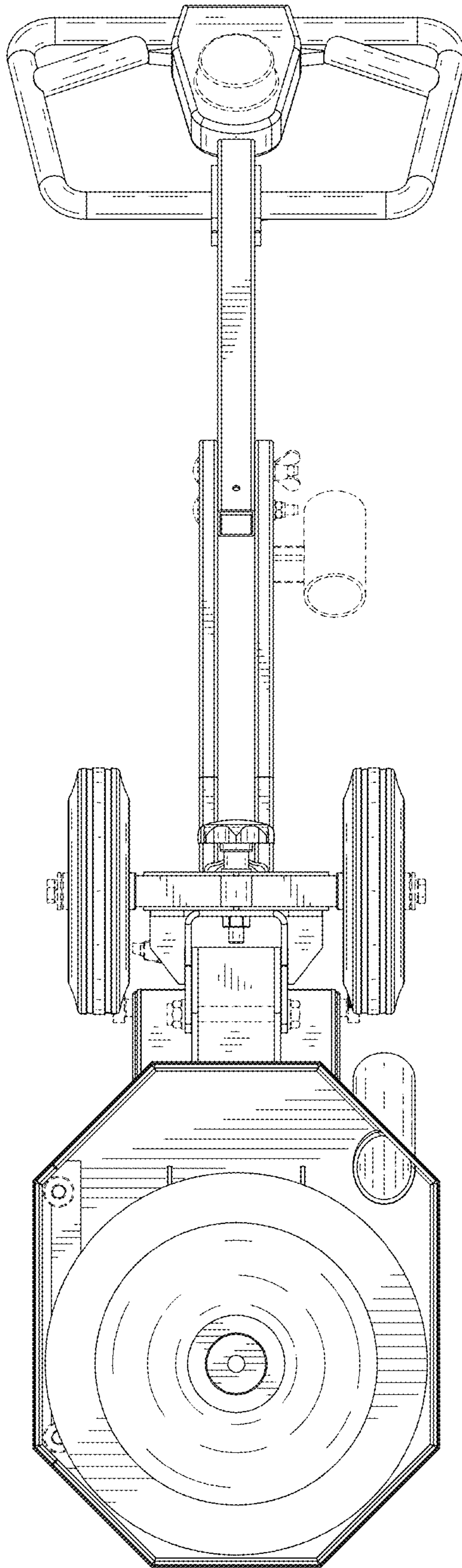


FIG. 7