



US00D895385S

(12) **United States Design Patent**
Chen

(10) **Patent No.:** **US D895,385 S**

(45) **Date of Patent:** **** Sep. 8, 2020**

(54) **WRENCH**

(71) Applicant: **FORGING ADAPTER CO., LTD,**
Taichung (TW)

(72) Inventor: **Sheng-Ping Chen,** Taichung (TW)

(73) Assignee: **FORGING ADAPTER CO., LTD,**
Taichung (TW)

(**) Term: **15 Years**

(21) Appl. No.: **29/701,262**

(22) Filed: **Aug. 9, 2019**

(51) **LOC (12) Cl.** **08-05**

(52) **U.S. Cl.**
USPC **D8/29**

(58) **Field of Classification Search**
USPC D8/15-29, 29.1, 29.2, 30-32, 349,
D8/382-386, 396-399, 70, 71, 70.1,
D8/72-74, 471, 83, 104-107, 354, 361,
D8/362, 360, 360.1, 363-372, 355-359;
81/487, 60, 186, 124, 4, 121.1, 63.1, 119,
81/489, 177.1, 177.2, 177.85, 177.8, 62
CPC . B25B 23/1427; B25B 23/0007; B25B 23/16;
B25B 17/00; B25B 23/0028; B25B
23/0021; B25B 13/50; B25B 13/08; B25B
13/481; B25B 13/461; B25B 23/0035;
B25B 15/04; B25G 1/043; E06B 3/685;
A61C 1/186; A61C 8/0089; A61B
17/8875; A61B 17/8883
See application file for complete search history.

(56) **References Cited**

U.S. PATENT DOCUMENTS

D381,879 S * 8/1997 Peng D8/21
D399,107 S * 10/1998 Murray D8/31
D409,060 S * 5/1999 Lucy D8/24
6,450,479 B1 * 9/2002 Reynolds B25B 13/48
251/291

7,155,998 B1 * 1/2007 Shyu B25B 13/461
81/177.2
D704,015 S * 5/2014 Hernandez, Jr. D8/27
D715,611 S * 10/2014 Stamm D8/24
D804,263 S * 12/2017 Landon D8/25
D852,598 S * 7/2019 Tang D8/61

(Continued)

FOREIGN PATENT DOCUMENTS

DE 202019105147 * 11/2019 B25B 15/04
EM 002243352-0001 * 5/2013
JP D1566080 * 1/2016

OTHER PUBLICATIONS

Fix It Sticks,Ratcheting T-Way Wrench,Date first available Feb. 2,
2020, [online]retrieved Jul. 8, 2020, available from internet, https://
store.fixitsticks.com/products/ratcheting-t-way-wrench (Year: 2020).*

(Continued)

Primary Examiner — Keli L Hill
Assistant Examiner — Sara S Sahneh
(74) *Attorney, Agent, or Firm* — WPAT, PC

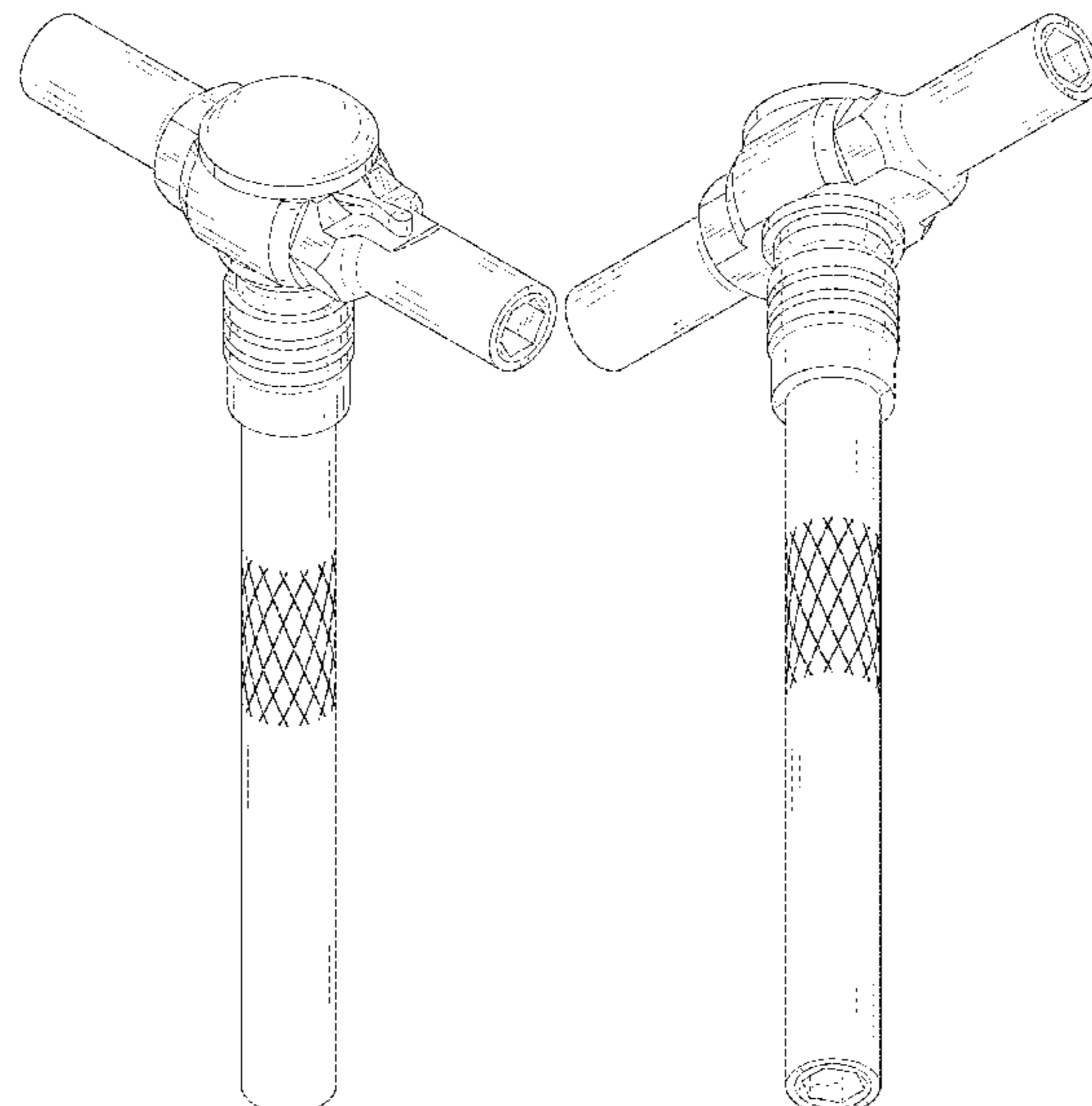
(57) **CLAIM**

The ornamental design for a wrench, as shown and described.

DESCRIPTION

FIG. 1 is a perspective view of a wrench showing my new design;
FIG. 2 is a front elevational view thereof;
FIG. 3 is a rear elevational view thereof;
FIG. 4 is a left side elevational view thereof;
FIG. 5 is a right side elevational view thereof;
FIG. 6 is a top plan view thereof;
FIG. 7 is a bottom plan view thereof; and,
FIG. 8 is another perspective view thereof.

1 Claim, 7 Drawing Sheets



(56)

References Cited

U.S. PATENT DOCUMENTS

2014/0090520 A1* 4/2014 Lee B25G 1/00
81/177.1
2017/0021487 A1* 1/2017 Davis B25B 13/48

OTHER PUBLICATIONS

Powerbuilt, 9 Pc Torx Star T-Handle Hex Allen Key Wrench Set, Date first available Aug. 10, 2017, [online]retrieved Jul. 8, 2020, available from internet, www.amazon.com (Year: 2017).*

Craftsman, Mach Series 14 pc. THandle Driver, Date first available Jul. 22, 2016, [online]retrieved Jul. 8, 2020, available from internet, www.amazon.com (Year: 2016).*

Tsunoda, TL-1.5 Quick Turn T-handle Hex Key Wrench, Date first available Feb. 21, 2018, [online]retrieved Jul. 8, 2020, available from internet, www.amazon.com (Year: 2018).*

* cited by examiner

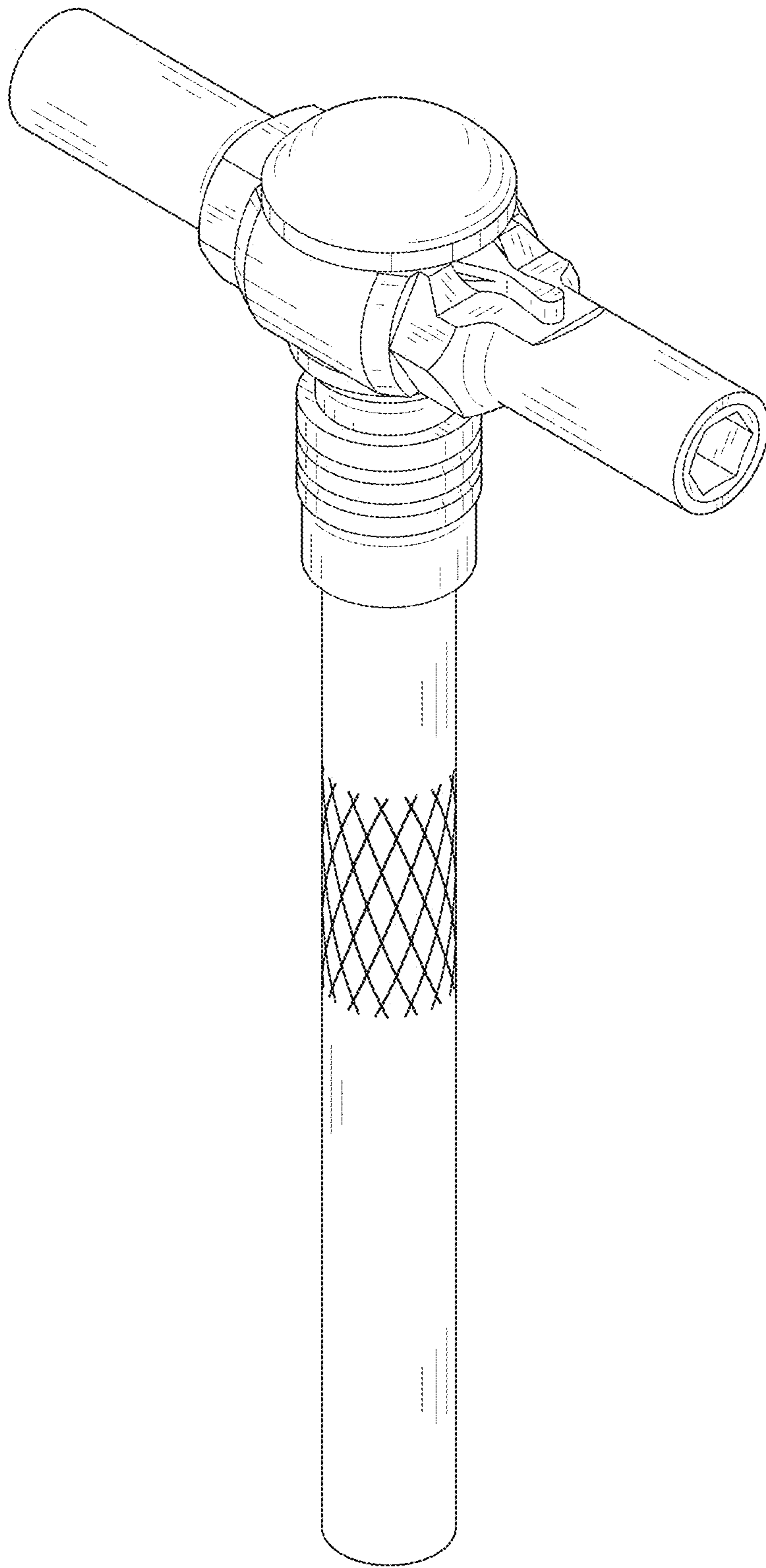


FIG. 1

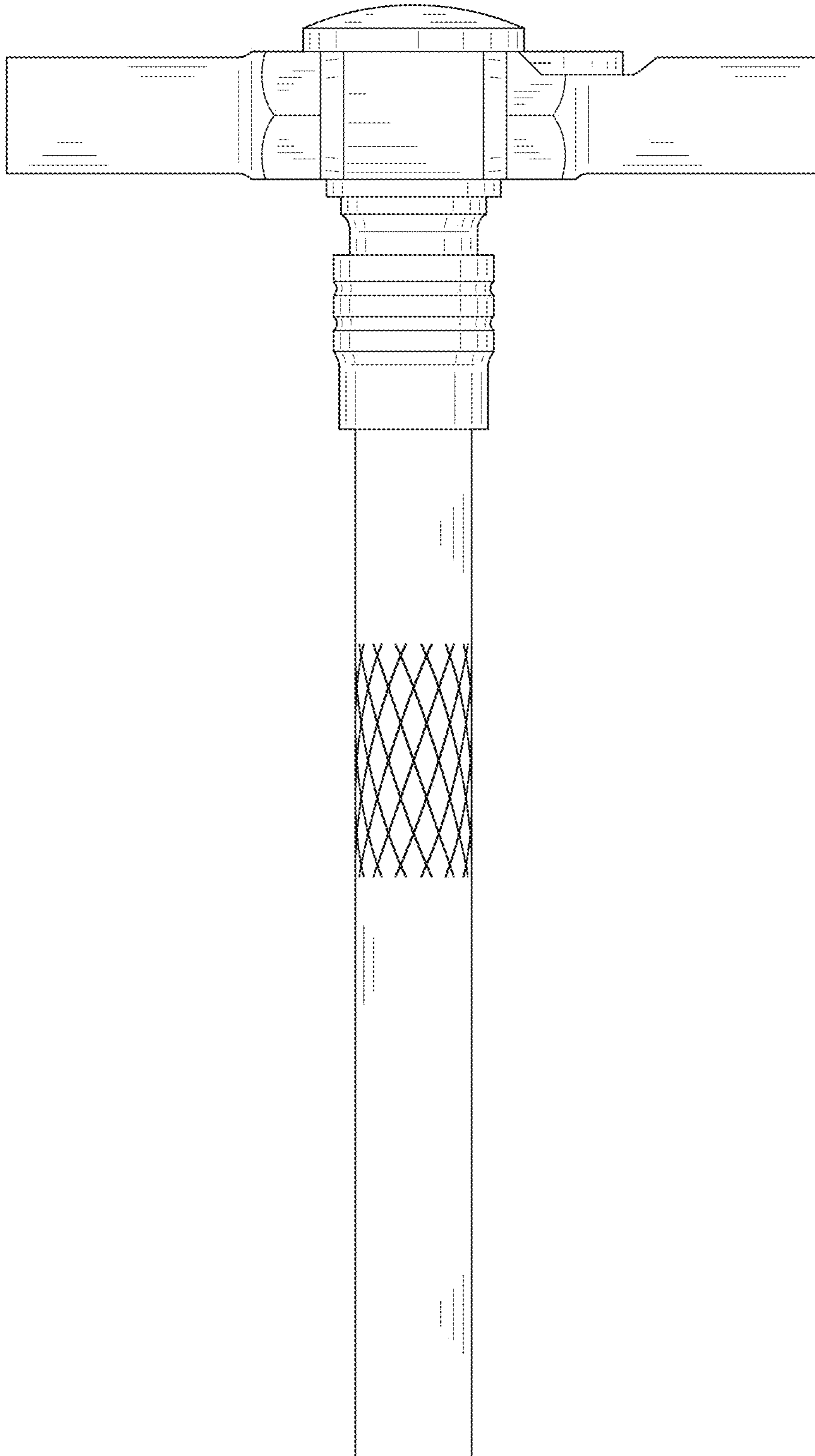


FIG. 2

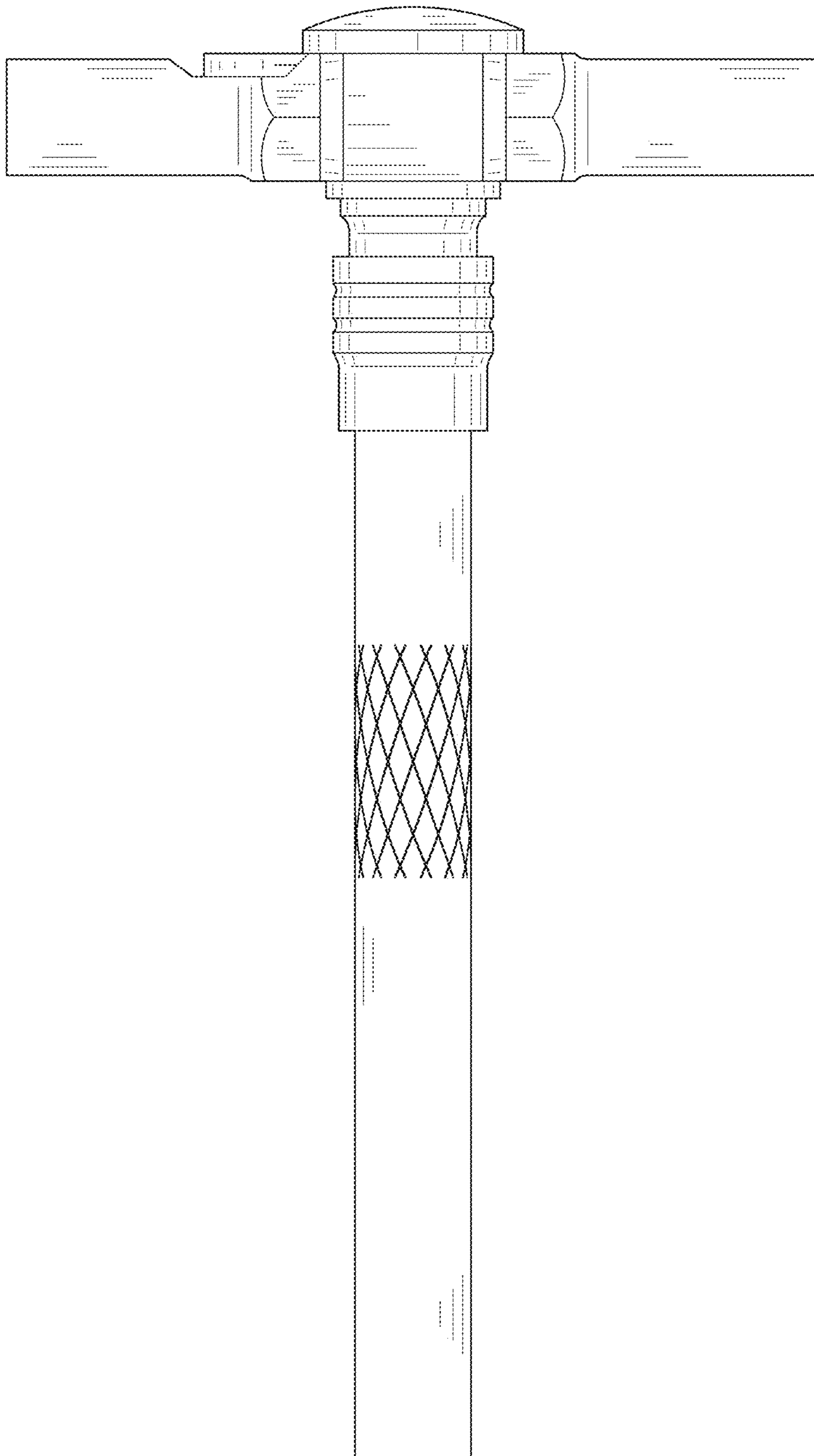


FIG. 3

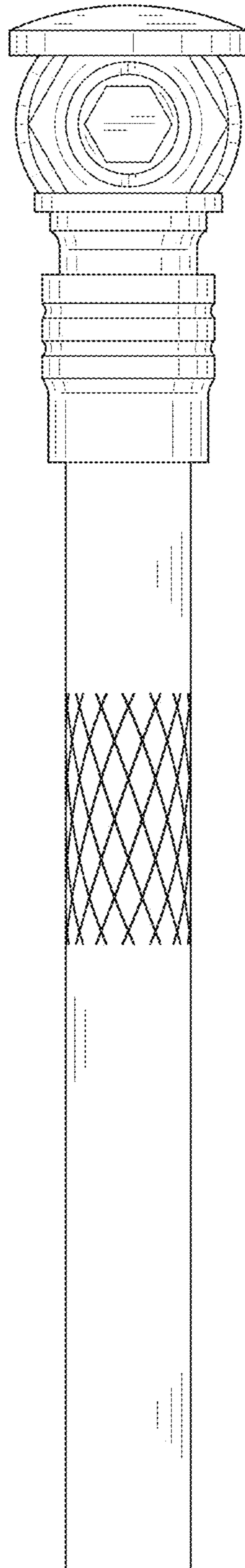


FIG. 4

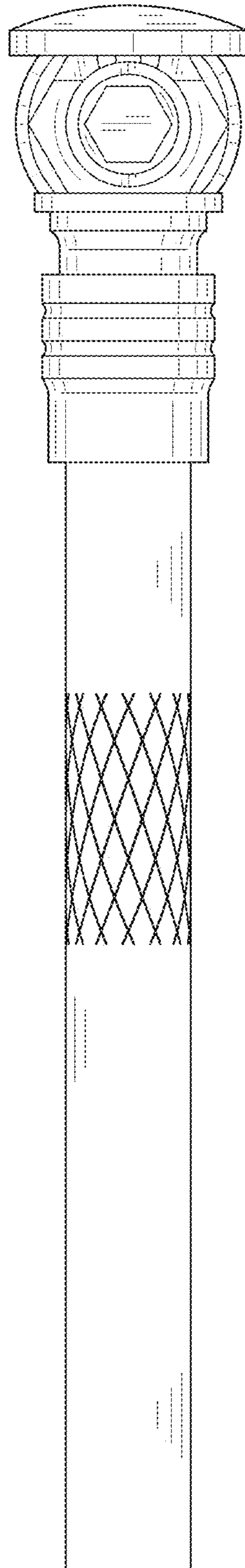


FIG. 5

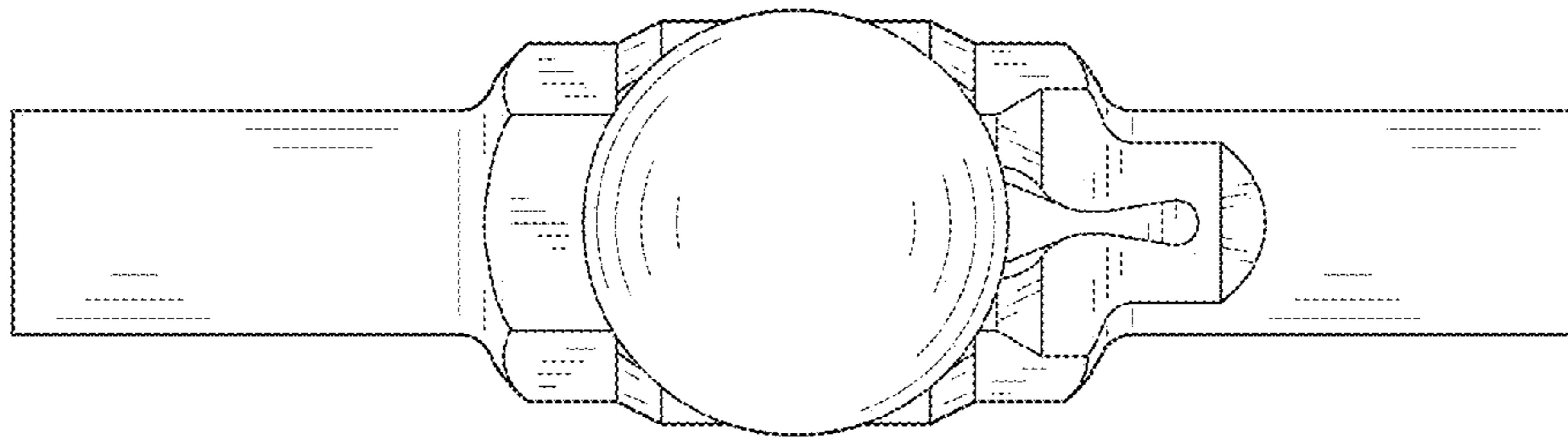


FIG. 6

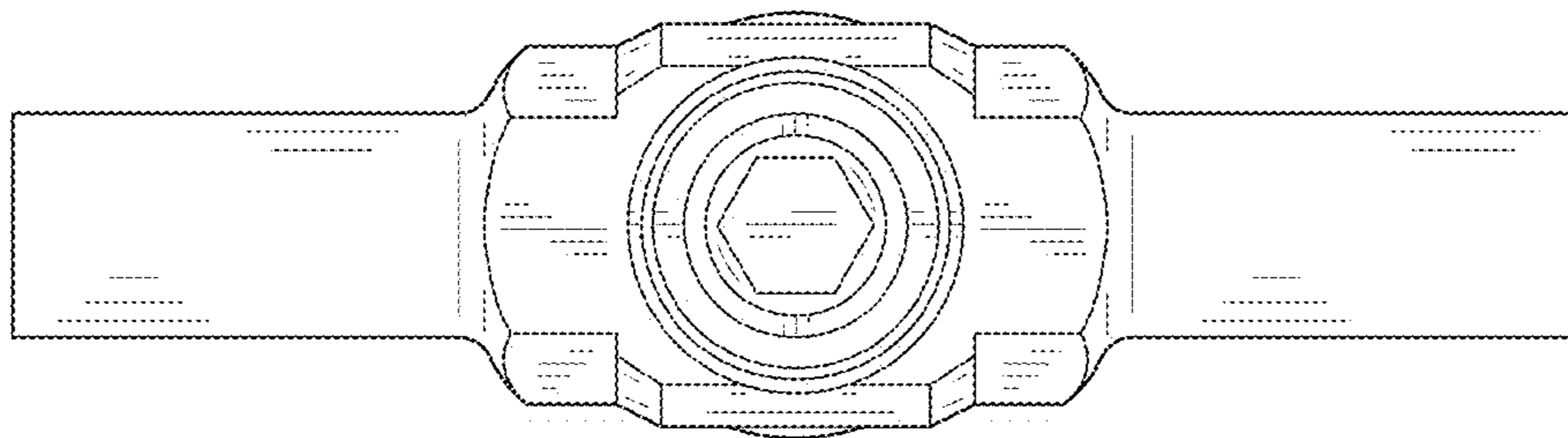


FIG. 7

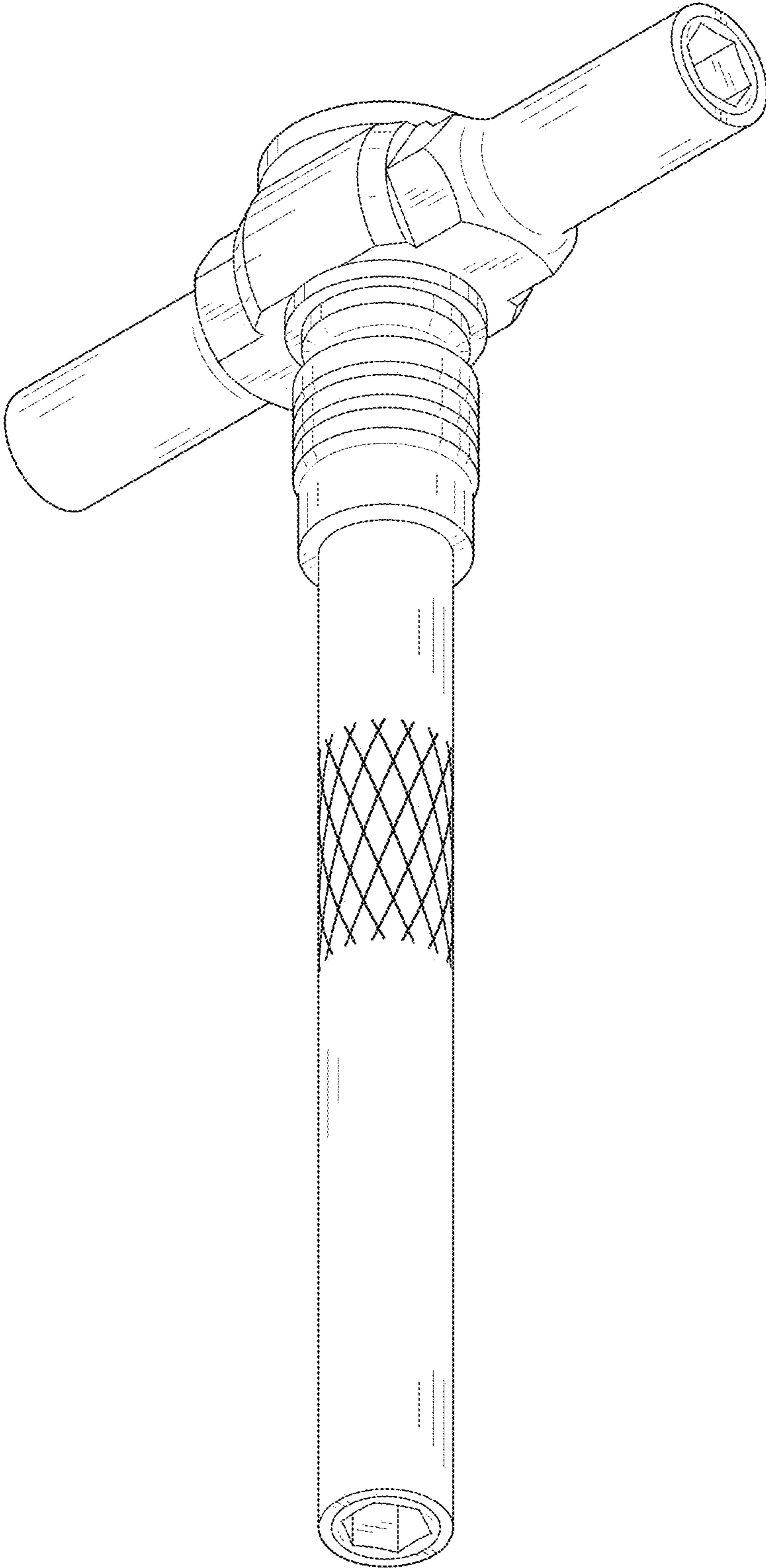


FIG. 8