



US00D895384S

(12) **United States Design Patent**  
**Scimone et al.**

(10) **Patent No.:** **US D895,384 S**

(45) **Date of Patent:** **\*\* Sep. 8, 2020**

(54) **BLADE**

(71) Applicant: **SLICE, INC.**, San Jose, CA (US)

(72) Inventors: **Thomas Scimone**, Campbell, CA (US);  
**Scot Herbst**, Santa Cruz, CA (US);  
**Robert Joseph Gallegos**, Fremont, CA (US)

(\*\*) Term: **15 Years**

(21) Appl. No.: **29/680,734**

(22) Filed: **Feb. 19, 2019**

(51) **LOC (12) Cl.** ..... **08-03**

(52) **U.S. Cl.**  
USPC ..... **D8/20**

(58) **Field of Classification Search**  
USPC ..... D8/20, 98, 99, 100, 101, 70  
CPC ..... B23D 49/14; B23D 51/10; B23D 61/02;  
B23D 61/025; B23D 61/026; B23D  
61/12; B23D 61/121; B23D 61/123;  
B23D 61/126; B23D 61/127; B23D  
61/128; B23D 61/006; B23D 61/14;  
B23D 61/18; B26B 5/00; B26B 9/00;  
B26B 9/02

See application file for complete search history.

(56) **References Cited**

**U.S. PATENT DOCUMENTS**

D139,299 S \* 10/1944 Walters ..... D8/20  
2,784,489 A \* 3/1957 Reise ..... B25G 1/00  
30/151  
3,518,758 A \* 7/1970 Bennett ..... B26B 5/005  
30/154  
4,989,320 A \* 2/1991 Borkott ..... E04F 21/32  
30/272.1  
5,022,156 A \* 6/1991 Kallens ..... B26B 5/00  
30/125  
5,337,482 A \* 8/1994 Schmidt ..... B26B 9/00  
30/162

5,581,890 A \* 12/1996 Schmidt ..... B26B 5/003  
30/162  
5,909,930 A \* 6/1999 Ragland, III ..... B26B 5/001  
30/125  
6,324,762 B1 \* 12/2001 Huang ..... B26B 11/00  
30/125  
D455,057 S \* 4/2002 Medhurst ..... D8/20  
6,701,627 B2 \* 3/2004 Korb ..... B21D 53/64  
30/350  
6,886,257 B2 \* 5/2005 Chih ..... B26B 5/001  
30/125  
D568,126 S \* 5/2008 Allem ..... D8/20  
D582,229 S \* 12/2008 Johnson ..... D8/20  
7,621,051 B2 \* 11/2009 Ping ..... B26B 5/00  
30/162  
D608,168 S \* 1/2010 Green ..... D8/20  
7,658,129 B2 \* 2/2010 Korb ..... B21D 53/64  
30/350  
7,712,222 B2 \* 5/2010 Korb ..... B21D 53/64  
30/346.53  
D617,161 S \* 6/2010 Tom ..... D8/20  
D617,162 S \* 6/2010 Tom ..... D8/20  
D619,865 S \* 7/2010 Boehler ..... D8/20  
D623,911 S \* 9/2010 Allem ..... D8/20

(Continued)

*Primary Examiner* — Elizabeth A. Albert  
(74) *Attorney, Agent, or Firm* — Ellenoff Grossman &  
Schole LLP; James M. Smedley; Alex Korona

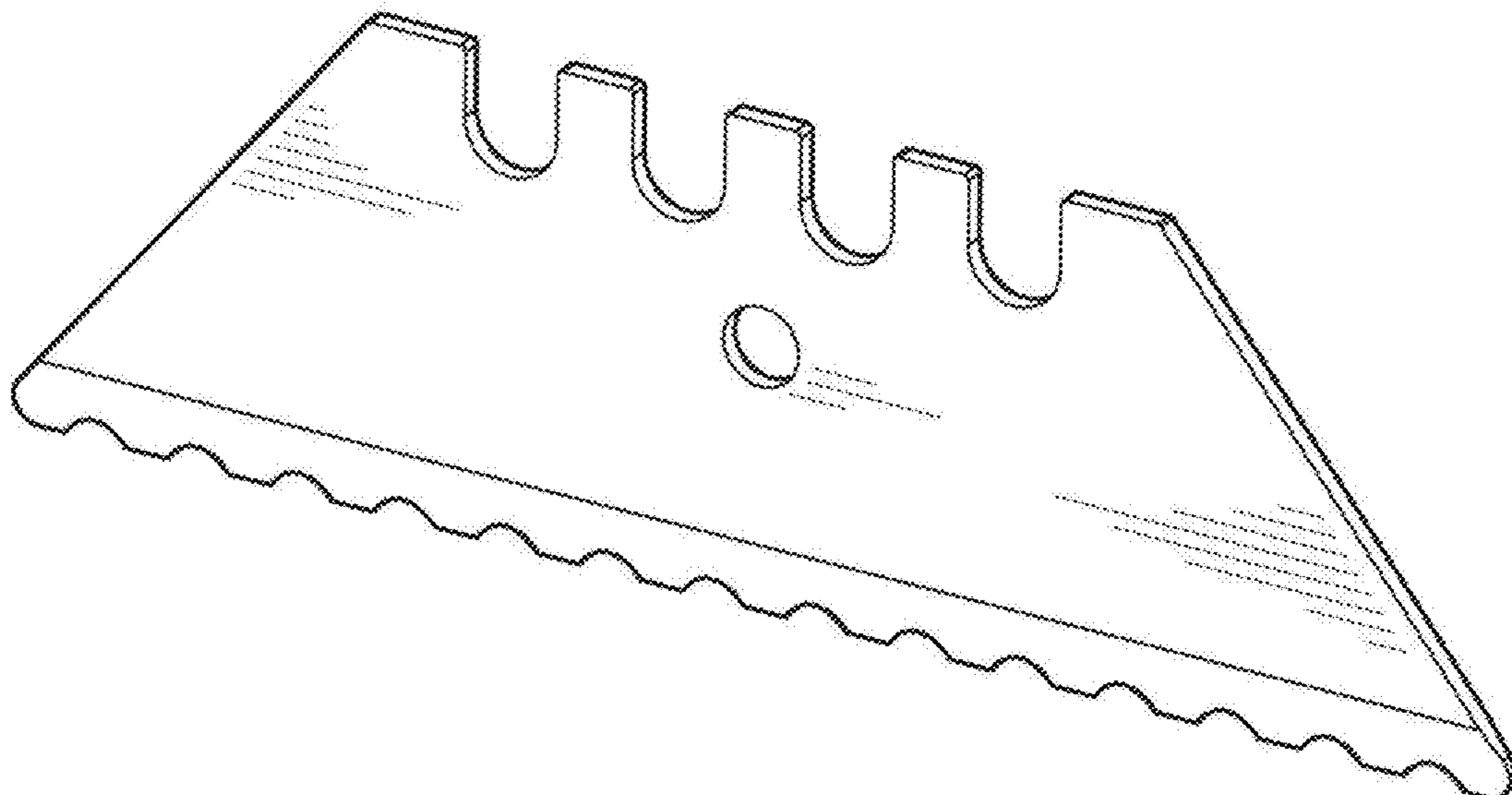
(57) **CLAIM**

We claim the ornamental design for a blade, as shown and described.

**DESCRIPTION**

FIG. 1 is a front perspective view of a blade showing our new design;  
FIG. 2 is a front elevation view thereof;  
FIG. 3 is a top plan view thereof;  
FIG. 4 is a bottom plan view thereof; and,  
FIG. 5 is a side elevation view thereof which is also a mirror image of the opposite side thereof.

**1 Claim, 1 Drawing Sheet**



(56)

**References Cited**

U.S. PATENT DOCUMENTS

7,921,568	B2 *	4/2011	Green	.....	B26B 9/00 30/346.52
8,161,654	B2 *	4/2012	Green	.....	B26B 9/00 30/346.52
8,291,602	B2 *	10/2012	Korb	.....	B21D 53/64 30/350
8,739,412	B2 *	6/2014	Gioia	.....	B26B 5/00 30/123
8,739,414	B2 *	6/2014	Tyers	.....	B25F 1/00 30/162
9,126,259	B2 *	9/2015	Korb	.....	B21D 53/64
9,662,796	B2 *	5/2017	Scimone	.....	B26B 21/56
10,046,466	B2 *	8/2018	Wang	.....	B26B 1/042
D832,067	S *	10/2018	Quinn	.....	D8/20
D833,241	S *	11/2018	Medhurst	.....	D8/20
2004/0163261	A1 *	8/2004	Lin	.....	B26B 5/001 30/162
2004/0187314	A1 *	9/2004	Johnson	.....	B26B 9/02 30/162
2007/0101576	A1 *	5/2007	Green	.....	B26B 29/02 30/62
2011/0030226	A1 *	2/2011	Dunn-Rankin	.....	B26B 21/58 30/346.53
2014/0041239	A1 *	2/2014	Scimone	.....	B26B 9/00 30/346.53
2017/0246748	A1 *	8/2017	Scimone	.....	B26B 9/00
2018/0333871	A1 *	11/2018	Scimone	.....	B26B 21/58

\* cited by examiner

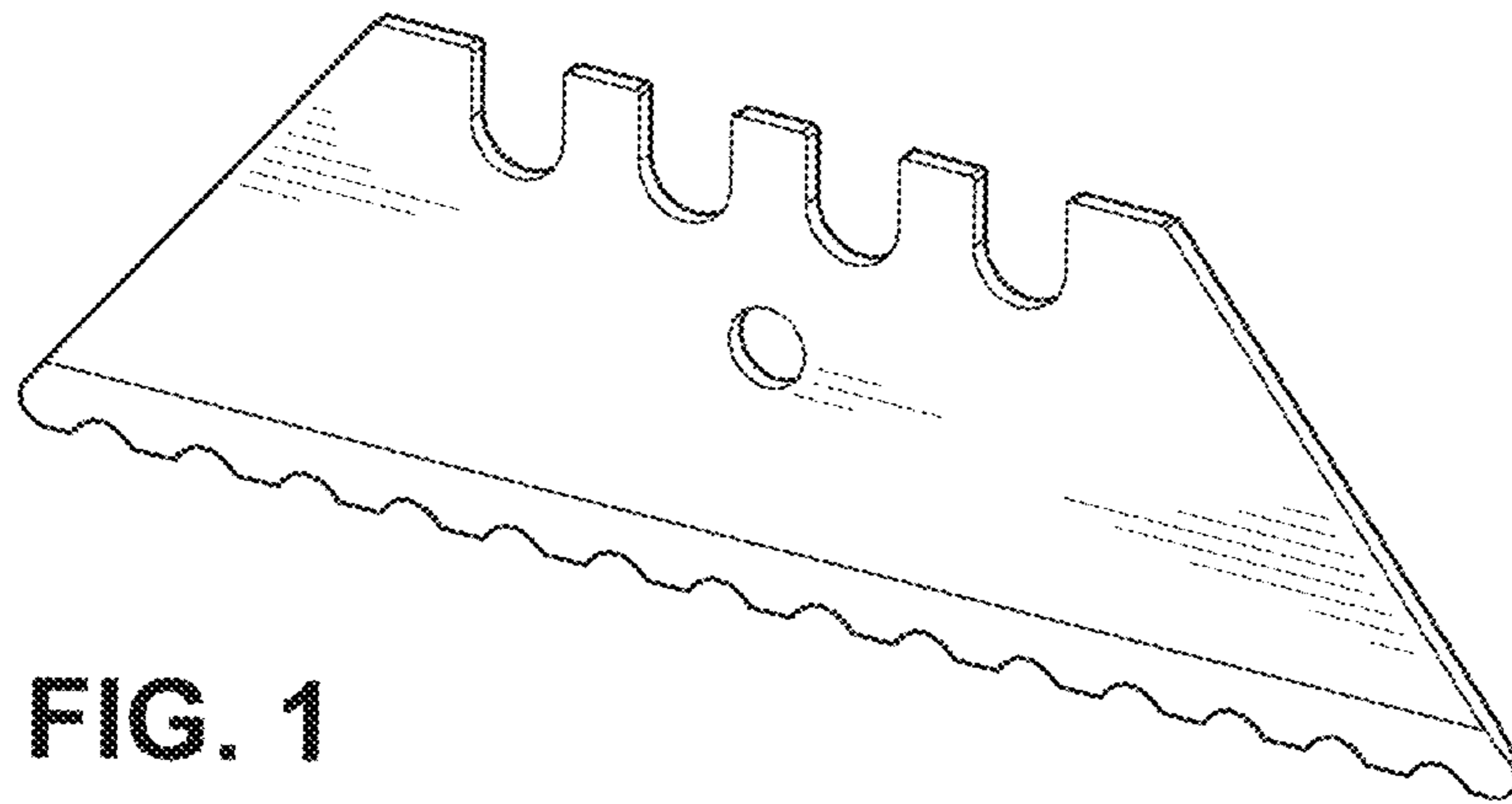


FIG. 1

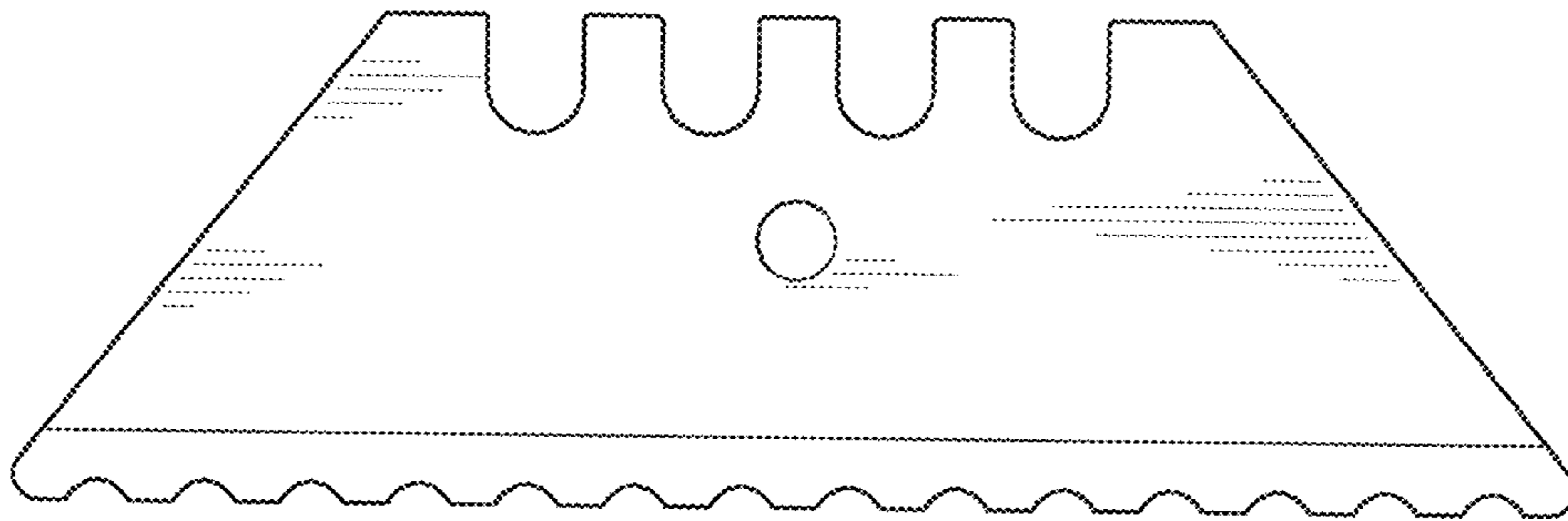


FIG. 2

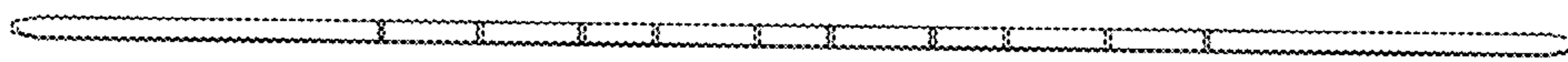


FIG. 3

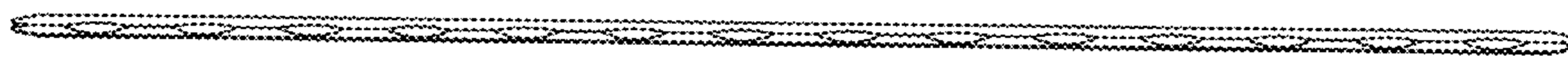


FIG. 4



FIG. 5