

US00D895383S

(12) **United States Design Patent**
Thorn

(10) **Patent No.:** **US D895,383 S**

(45) **Date of Patent:** **** Sep. 8, 2020**

(54) **SPADE**
(71) Applicant: **Oakthrift Corporation Ltd,**
Borehamwood (GB)
(72) Inventor: **James John Thorn,** Borehamwood
(GB)

(**) Term: **15 Years**

(21) Appl. No.: **29/679,097**

(22) Filed: **Feb. 1, 2019**

(51) **LOC (12) Cl.** **08-01**

(52) **U.S. Cl.**
USPC **D8/10; D8/107**

(58) **Field of Classification Search**
USPC D8/1, 10, 13, 107; D21/253
CPC A01B 1/00; A01B 1/02; A01B 1/04; A01B
1/022; A01B 1/026
See application file for complete search history.

(56) **References Cited**

U.S. PATENT DOCUMENTS

337,602 A * 3/1886 McBride A01B 1/02
294/49
808,168 A * 12/1905 Reed A01B 1/02
294/49
821,847 A * 5/1906 Arnavat B25G 3/02
294/57
844,002 A * 2/1907 Colclough A01B 1/02
294/59
1,051,042 A * 1/1913 Wiener A01B 1/022
7/116
1,055,044 A * 3/1913 Hollander A01B 1/022
7/116
1,323,980 A * 12/1919 Hare A01B 1/022
294/51
2,696,294 A * 12/1954 Tarnay B25F 1/00
206/372
3,014,750 A * 12/1961 Briggs A01B 1/026
294/58

3,401,971 A * 9/1968 Cronquist A01B 1/022
294/53.5
D237,451 S * 11/1975 Bartz D8/9
4,002,207 A * 1/1977 Bartz A01B 1/00
172/378
D267,772 S * 2/1983 Heimdal D8/9
D362,601 S * 9/1995 Jackson D8/9
5,507,051 A * 4/1996 Mazon A01B 1/022
7/104
D426,436 S * 6/2000 Ng D8/10
D526,864 S * 8/2006 Braun D8/10
D579,287 S * 10/2008 Hyp D8/9
D601,866 S * 10/2009 Carroll D8/10

(Continued)

FOREIGN PATENT DOCUMENTS

EM 005520764 * 1/2018

OTHER PUBLICATIONS

Sears, Oakthrift Roamwild Multi-Digger Garden Spade, 2020,
<https://www.sears.com/oakthrift-rpvyc5f-roamwild-multi-digger-garden-spade-reinforced/p-SPM14711290032> (Year: 2020).*

Primary Examiner — Sheryl Lane

(74) *Attorney, Agent, or Firm* — Donn K. Harms

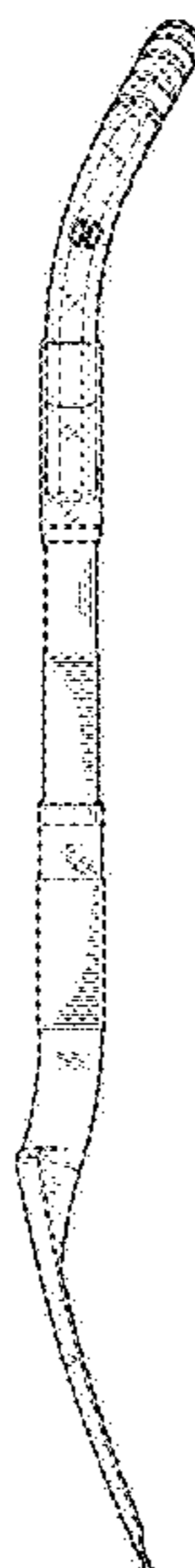
(57) **CLAIM**

The ornamental design for a spade, as shown and described.

DESCRIPTION

FIG. 1 is a right side elevation view of a spade, showing my new design;
FIG. 2 is a front elevation view thereof;
FIG. 3 is a bottom view thereof;
FIG. 4 is a top view thereof;
FIG. 5 is a left side elevation view thereof;
FIG. 6 is a rear elevation view thereof;
FIG. 7 is rear perspective view thereof; and,
FIG. 8 is a front perspective view thereof.

1 Claim, 7 Drawing Sheets



(56)

References Cited

U.S. PATENT DOCUMENTS

D601,867 S *	10/2009	Carroll	D8/10
D604,128 S *	11/2009	Carroll	D8/10
D691,866 S *	10/2013	Lee	D8/10
D720,593 S *	1/2015	Singh	D8/107
D882,370 S *	4/2020	Roberts	D8/107
2002/0020537 A1 *	2/2002	Shonfeld	B25G 1/102 172/378

* cited by examiner

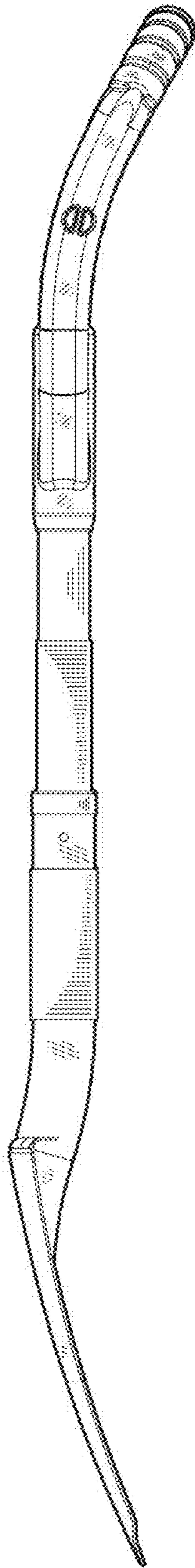


FIG 1

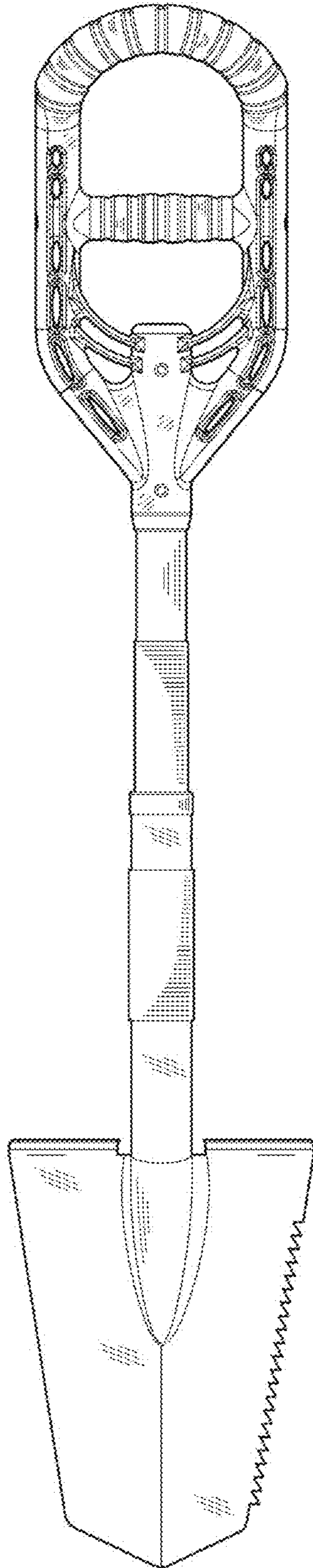


FIG 2

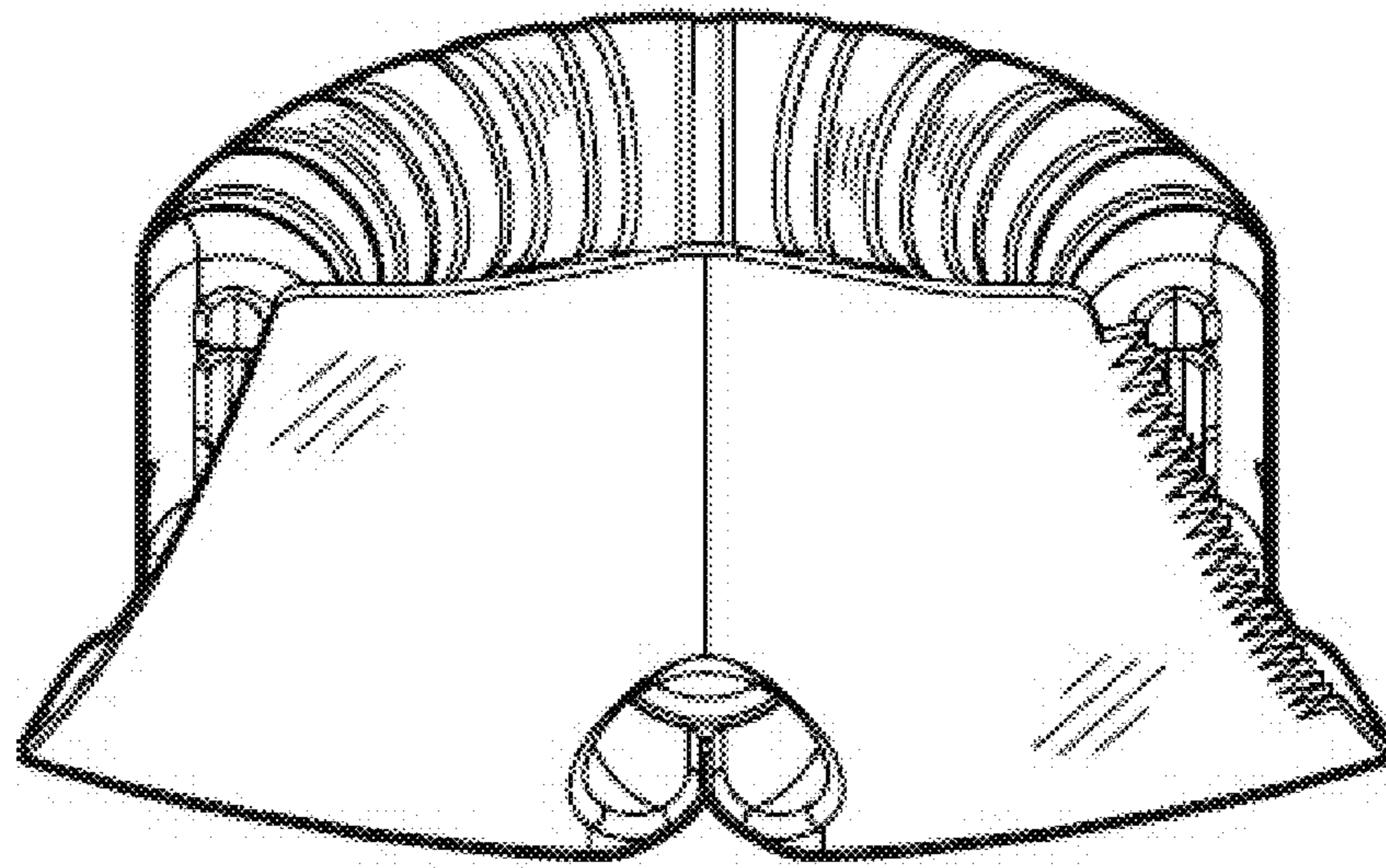


FIG 3

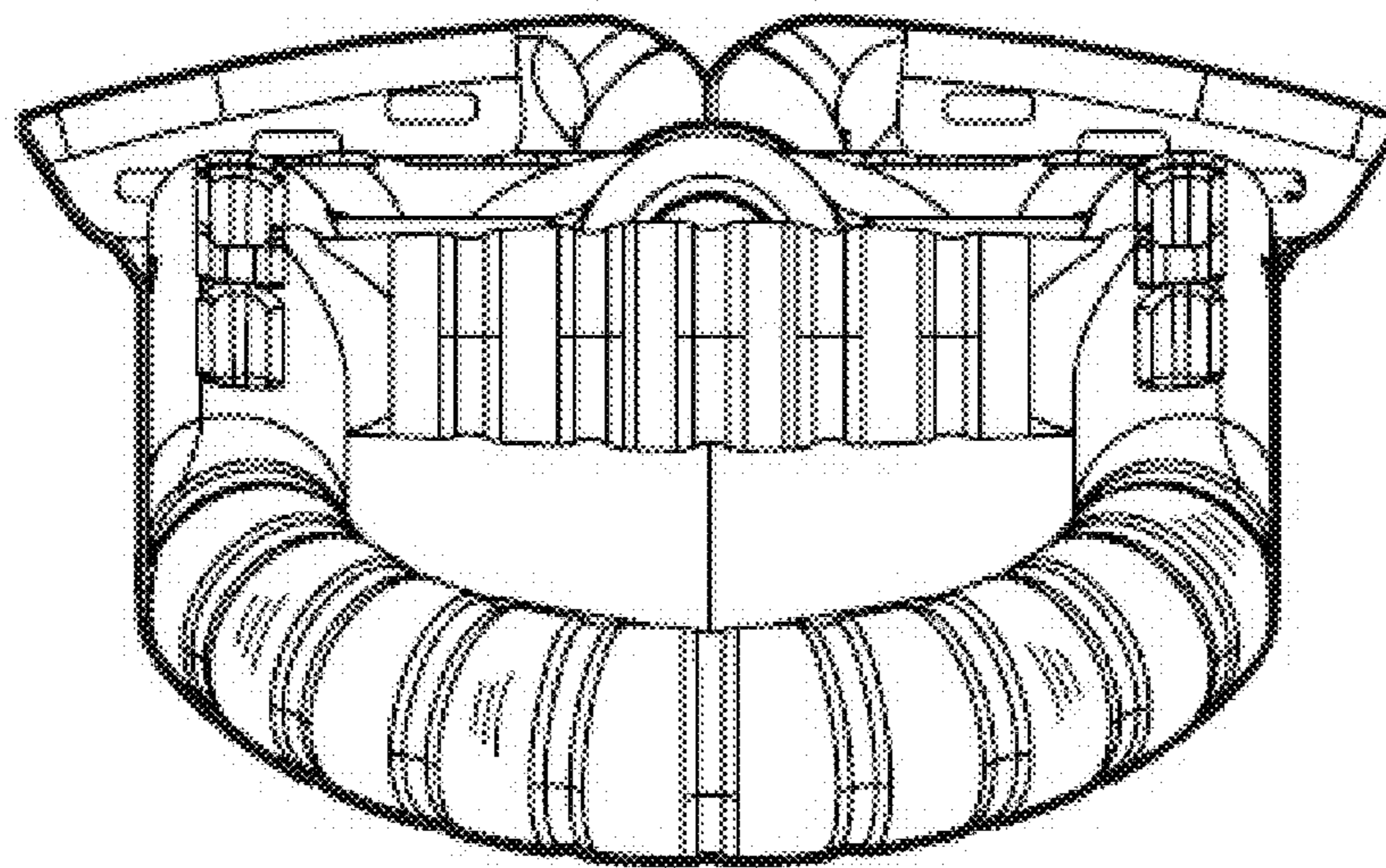


FIG 4

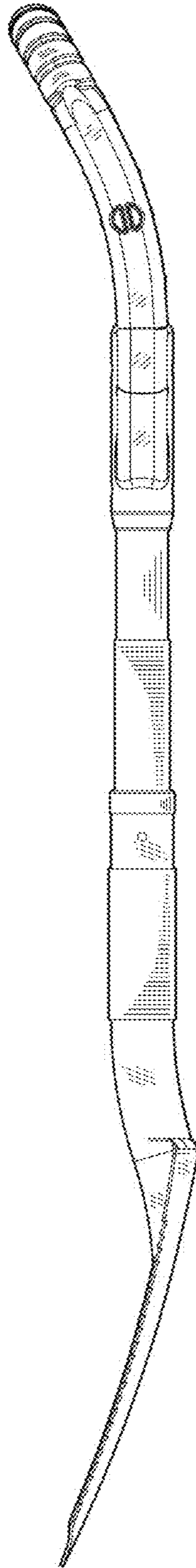


FIG 5

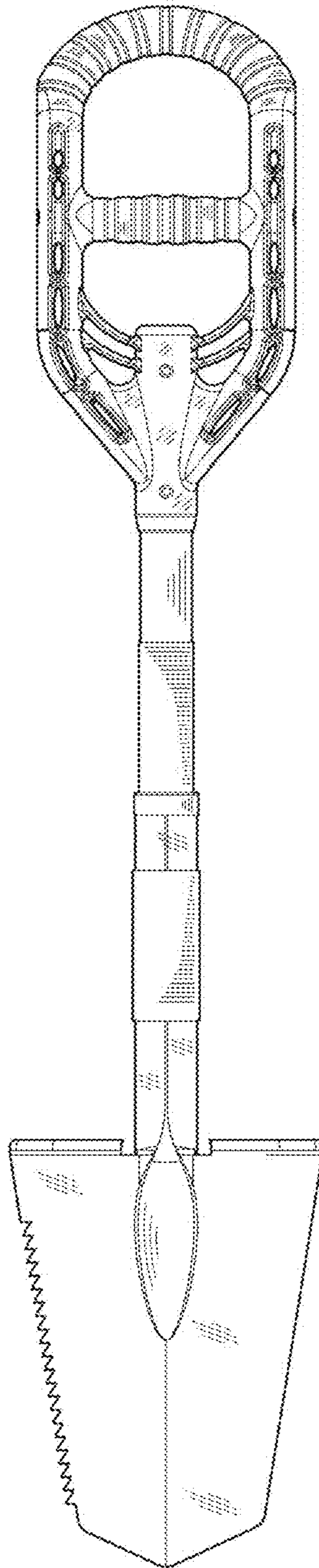


FIG 6

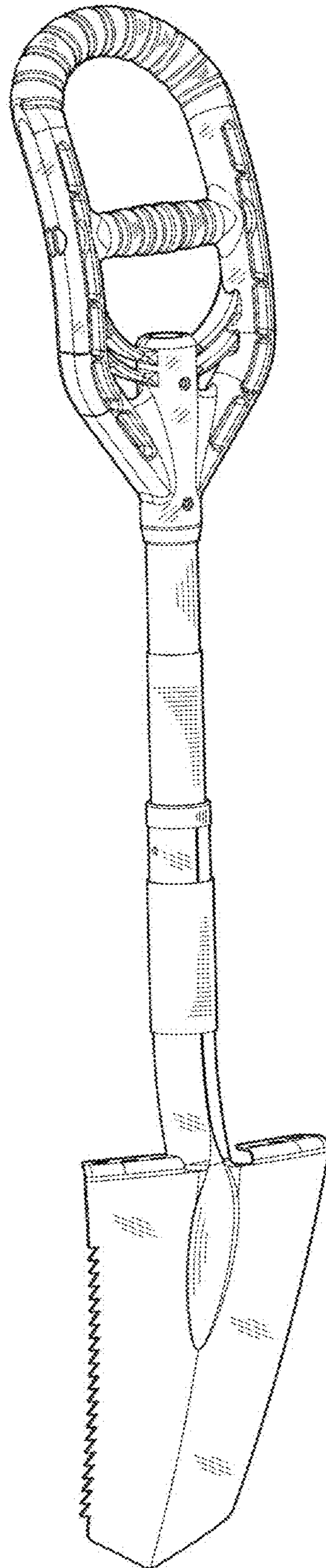


FIG 7

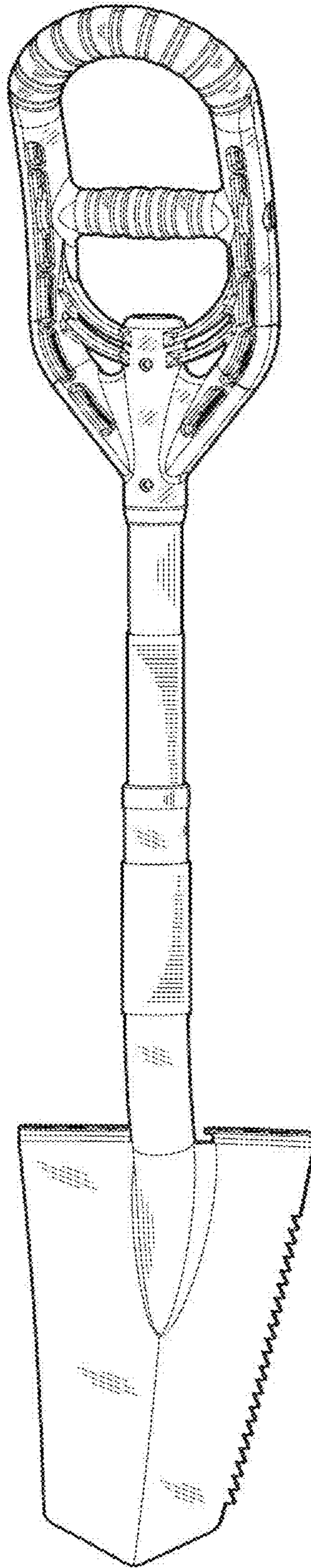


FIG 8