

US00D895381S

(12) **United States Design Patent** (10) **Patent No.:** **US D895,381 S**
Aasness et al. (45) **Date of Patent:** **** Sep. 8, 2020**

(54) **MASHING TOOL**
(71) Applicant: **Progressive international corporation,**
Kent, WA (US)
(72) Inventors: **Kyle Aasness,** Athens, GA (US);
Sascha Kaposi, Tacoma, WA (US)
(73) Assignee: **Progressive International**
Corporation, Kent, WA (US)

D255,636 S 7/1980 Kelly
D304,894 S 12/1989 Carlson
5,433,278 A 7/1995 Shipley
D437,747 S * 2/2001 Kwok D7/682
D443,185 S 6/2001 Kaposi
D476,536 S * 7/2003 Levien D7/682
D482,579 S * 11/2003 Kortleven D7/667
D644,893 S * 9/2011 Jossem D7/682
D702,513 S * 4/2014 Harris D7/682
D751,354 S * 3/2016 De Leo D7/682
2009/0193981 A1 8/2009 Webb

(**) Term: **15 Years**

* cited by examiner

(21) Appl. No.: **29/677,799**

Primary Examiner — Terry A Wallace

(22) Filed: **Jan. 23, 2019**

(74) *Attorney, Agent, or Firm* — Lowe Graham Jones
PLLC

(51) **LOC (12) Cl.** **07-04**

(52) **U.S. Cl.**
USPC **D7/682; D7/692**

(58) **Field of Classification Search**
USPC D7/680–696, 393, 395
CPC B02C 4/42; A47J 19/04; A47J 19/02; A47J
19/00
See application file for complete search history.

(57) **CLAIM**

We claim the ornamental design for a mashing tool, as shown and described.

(56) **References Cited**

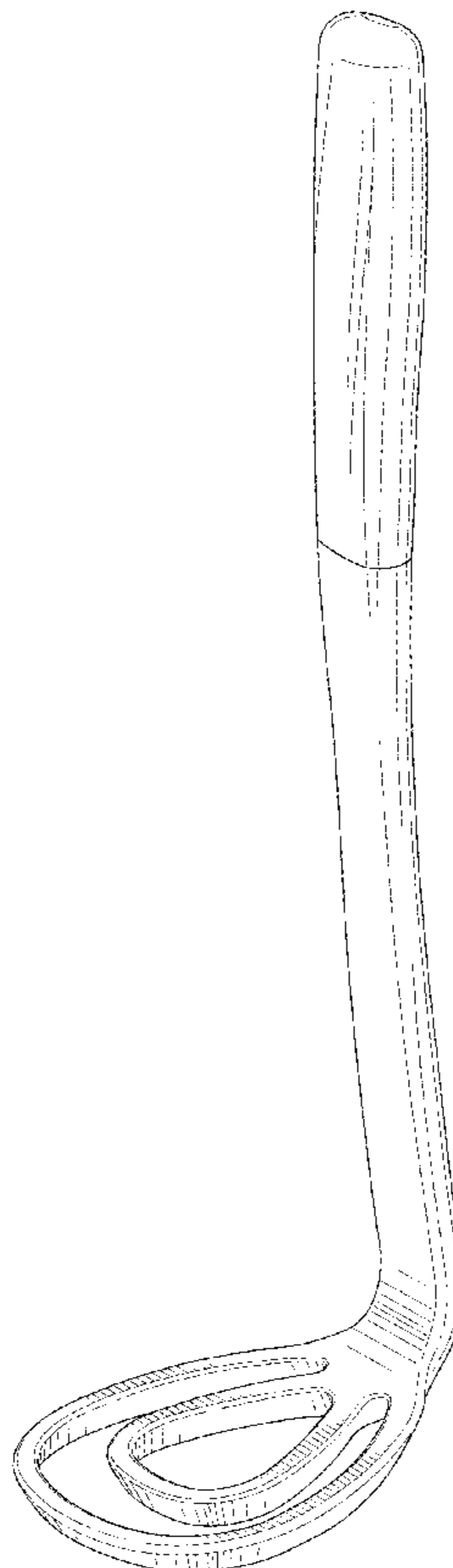
DESCRIPTION

U.S. PATENT DOCUMENTS

33,654 A 11/1861 Lorton
1,533,405 A * 4/1925 Griffin A47J 19/04
241/169.2

FIG. 1 is a top perspective view of a mashing tool, showing our new design.
FIG. 2 is a front elevational view of the mashing tool.
FIG. 3 is a rear elevational view of the mashing tool.
FIG. 4 is a right side elevational view of the mashing tool.
FIG. 5 is a left side elevational view of the mashing tool.
FIG. 6 is a top plan view of the mashing tool; and,
FIG. 7 is a bottom plan view of the mashing tool.

1 Claim, 7 Drawing Sheets



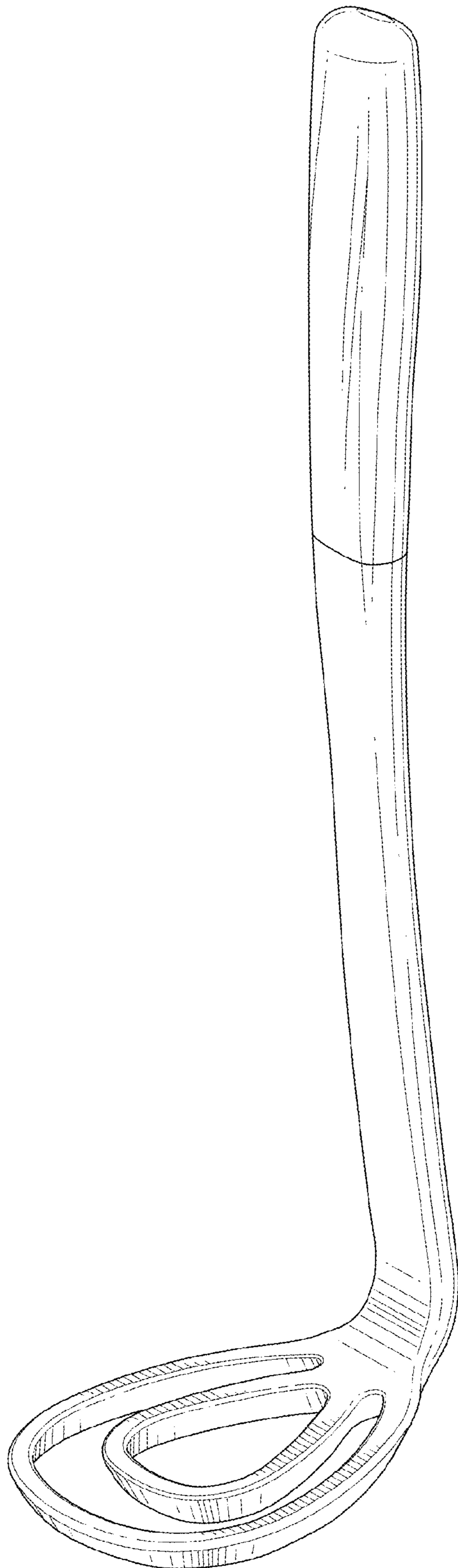


FIG. 1

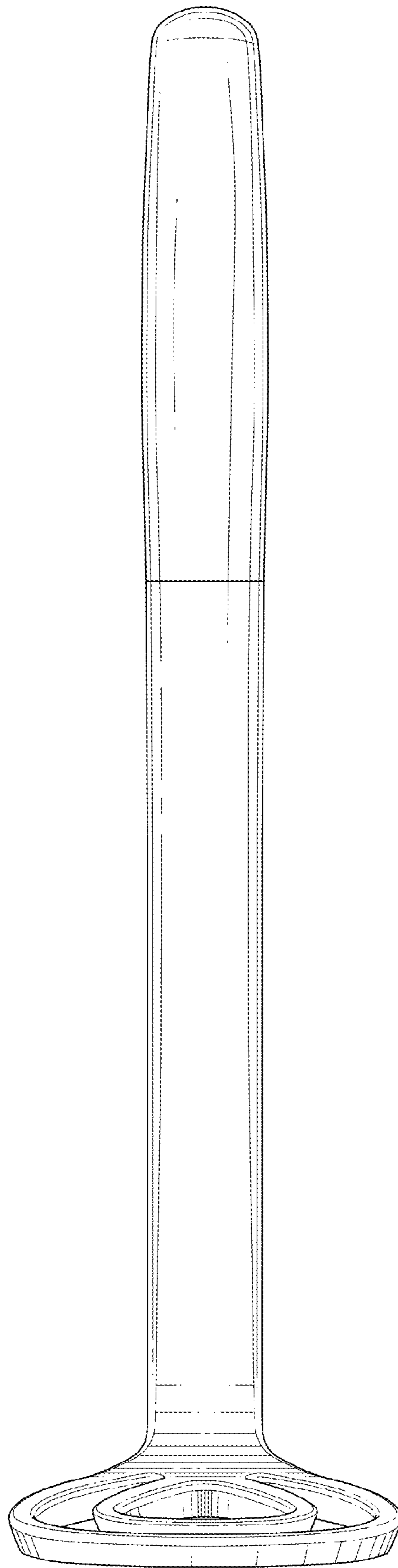


FIG. 2

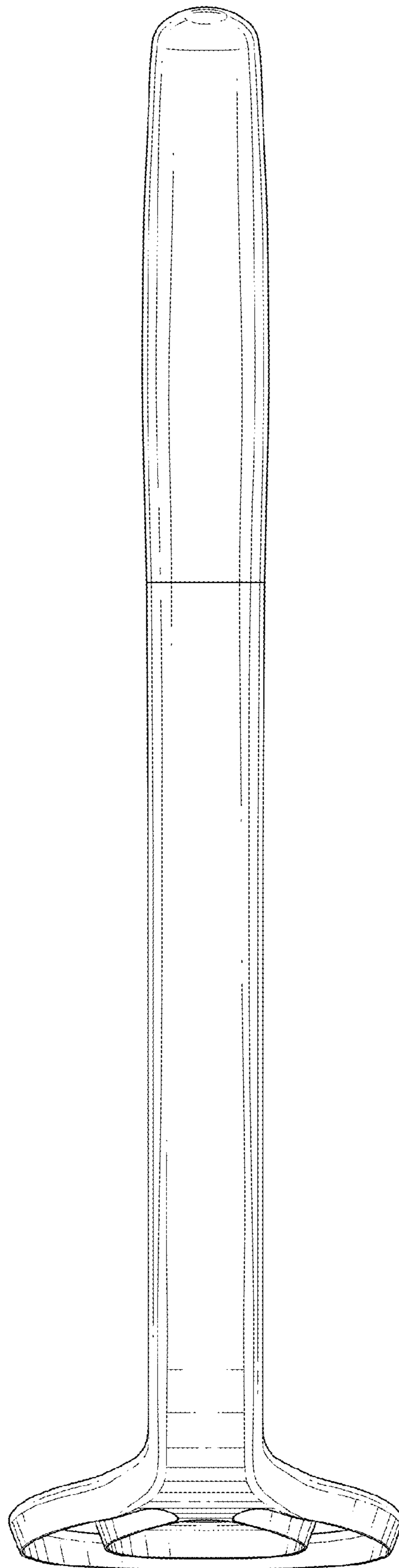


FIG.3

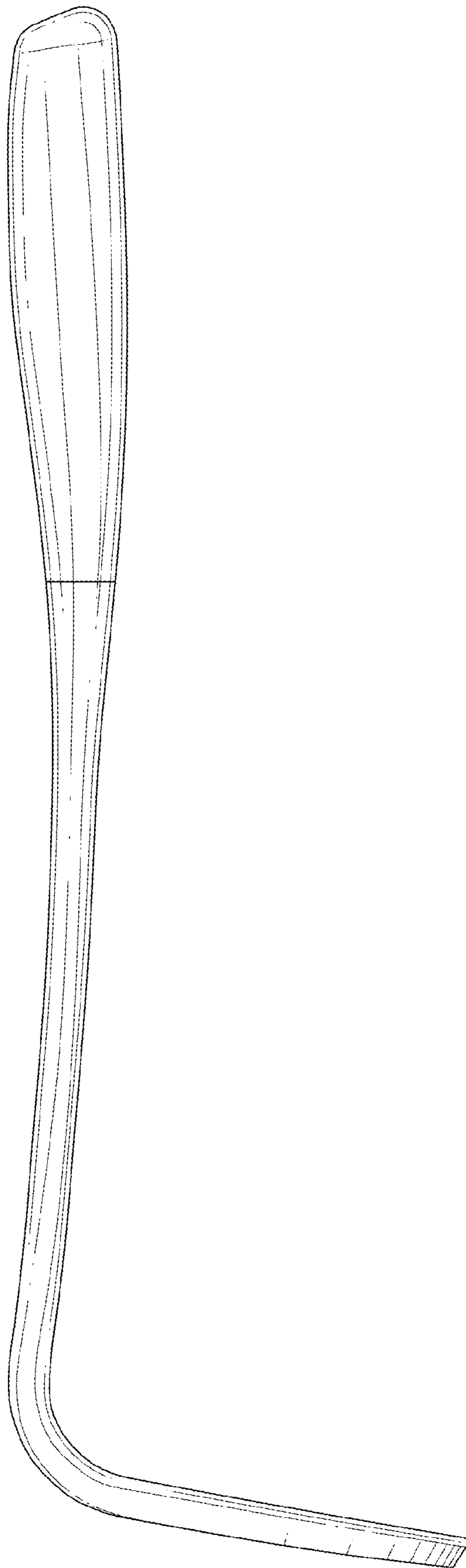


FIG.4

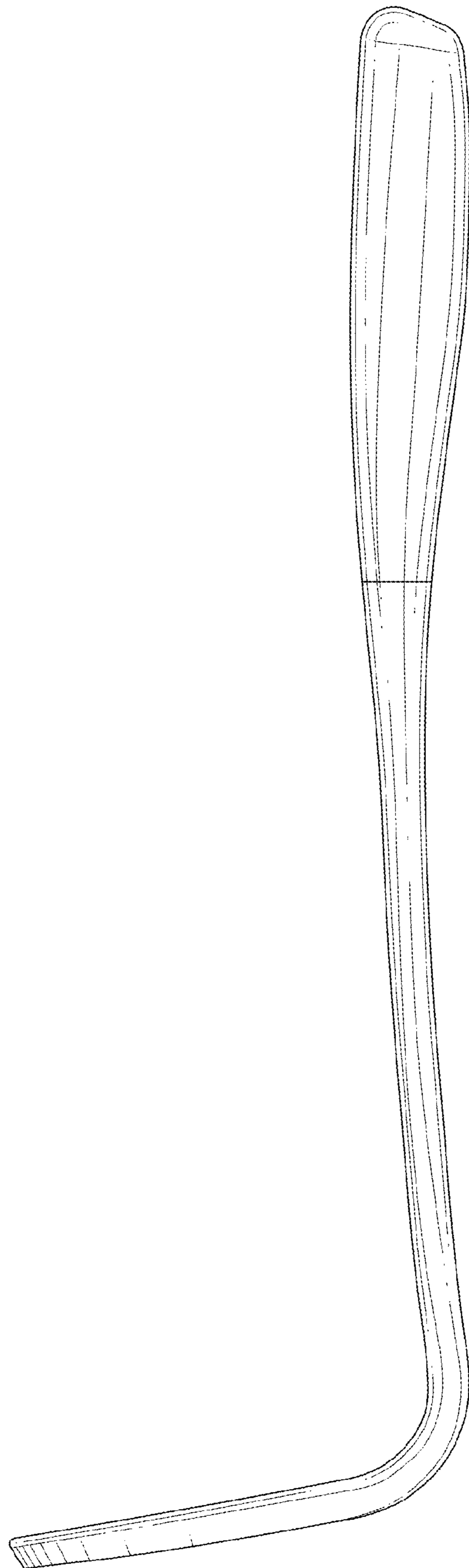


FIG.5

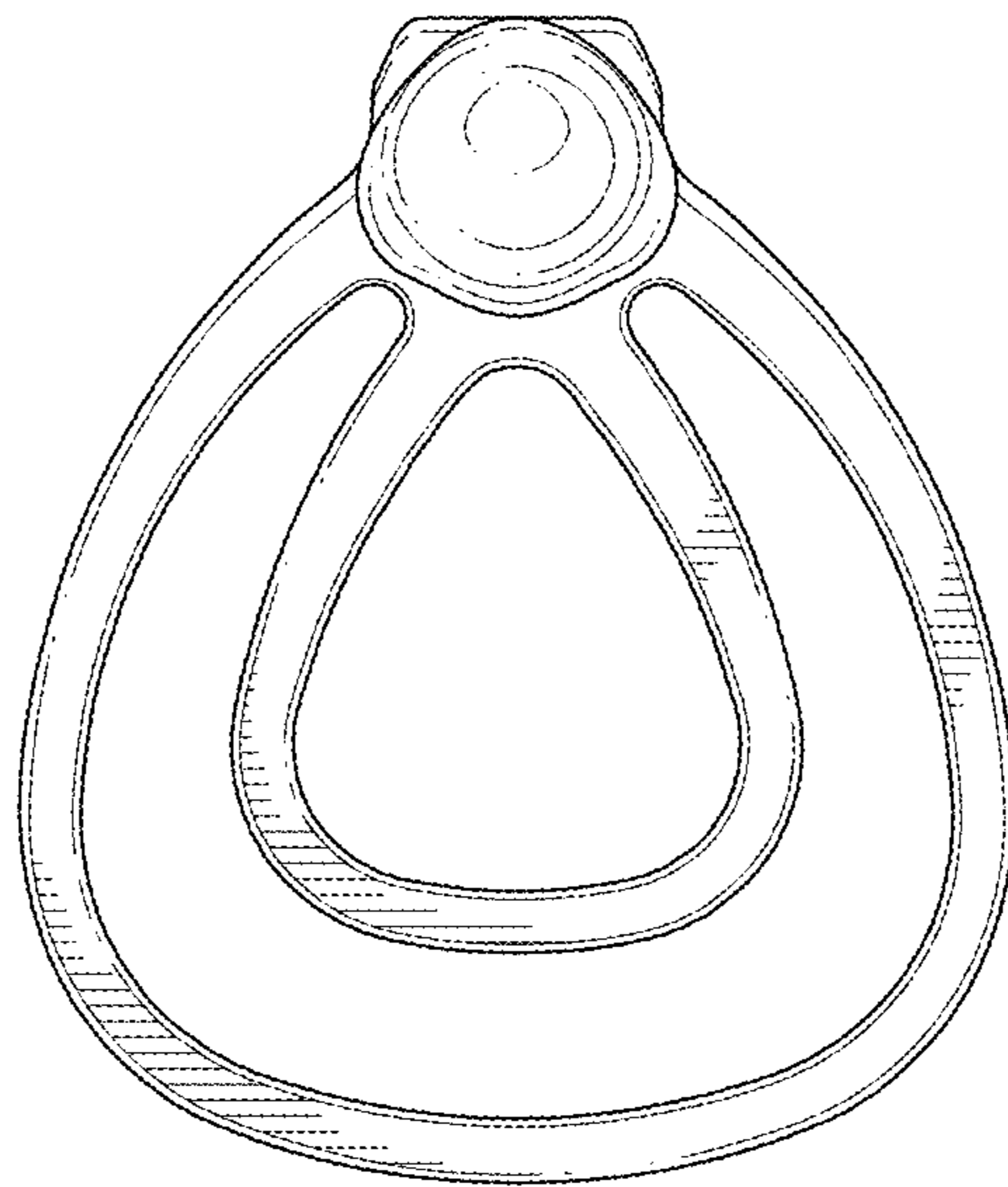


FIG.6

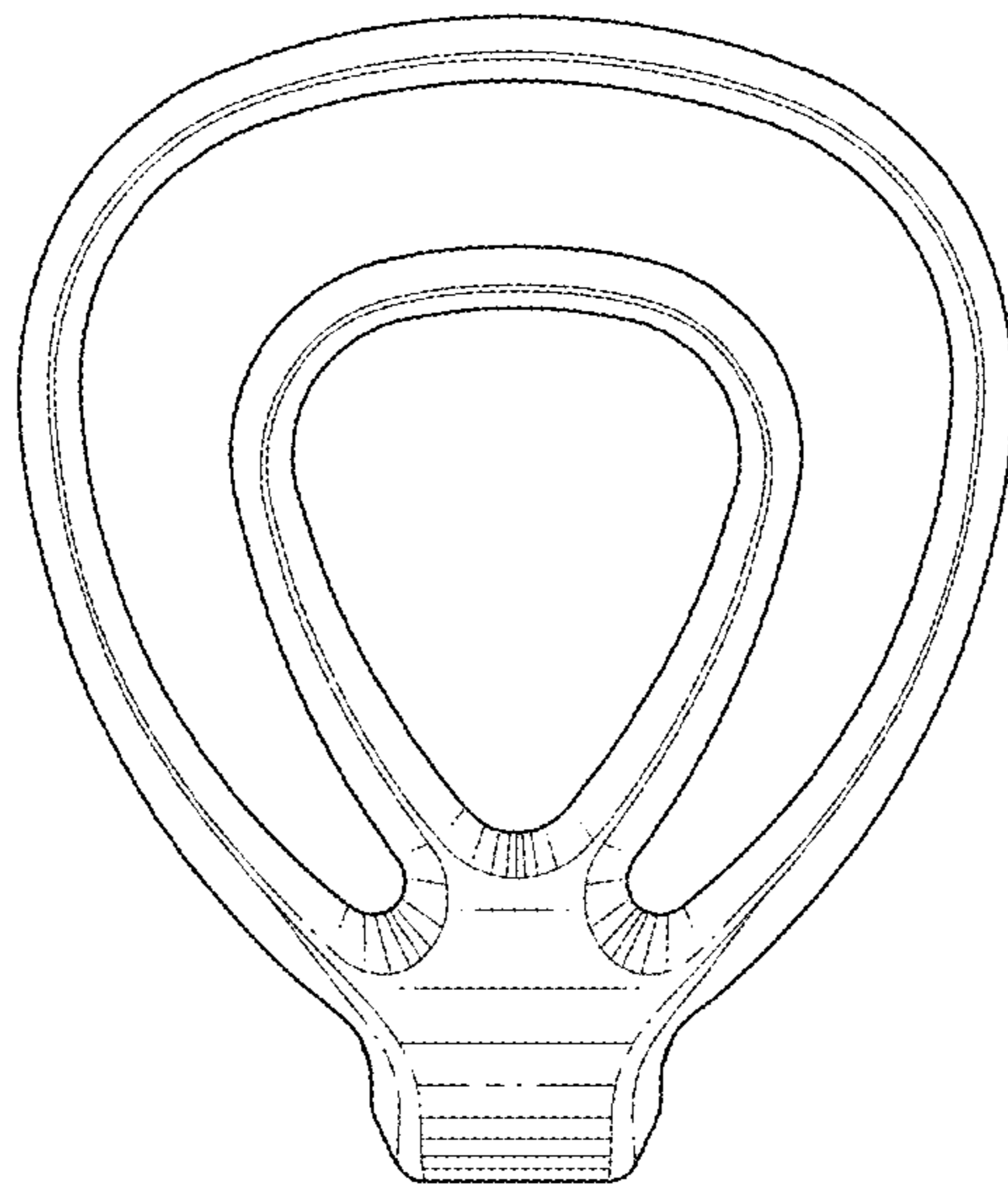


FIG. 7