



US00D895375S

(12) **United States Design Patent** (10) **Patent No.:** **US D895,375 S**  
**Hurley, Jr.** (45) **Date of Patent:** **\*\* Sep. 8, 2020**

(54) **COOLER**  
(71) Applicant: **JPJ INVESTMENT HOLDING CORP.**, Carson City, NV (US)  
(72) Inventor: **Roger Dale Hurley, Jr.**, Raleigh, NC (US)  
(73) Assignee: **Olympia Tools International, Inc.**, Covina, CA (US)

D318,175 S \* 7/1991 Venanzini ..... D3/260  
D429,966 S \* 8/2000 Israel ..... D7/605  
D451,765 S \* 12/2001 Israel ..... D7/605  
D494,021 S \* 8/2004 Huthmaker ..... D7/605  
8,910,819 B2 12/2014 Seiders  
10,046,885 B2 8/2018 Sonntag et al.  
2009/0025417 A1\* 1/2009 Azzara ..... A01K 97/20  
62/457.1  
2012/0132657 A1\* 5/2012 Seiders ..... B65D 81/3816  
220/592.2  
2013/0062356 A1\* 3/2013 Deka ..... F25D 3/08  
220/592.25

(\*\*) Term: **15 Years**

(21) Appl. No.: **29/678,674**

(22) Filed: **Jan. 30, 2019**

(51) **LOC (12) Cl.** ..... **07-01**

(52) **U.S. Cl.**  
USPC ..... **D7/605**

(58) **Field of Classification Search**  
USPC ..... D7/603-608, 709, 710, 629; D3/283,  
D3/287, 289, 233, 267, 268, 273, 276,  
D3/315, 318  
CPC ..... F25D 2331/804; F25D 2331/801; F25D  
3/08; B65D 30/08; B65D 30/22; B65D  
81/3858; B65D 81/3828; B65D 81/3888;  
B65D 81/18; B65D 81/3897; B65D  
81/3816; B65D 31/04; B65D 53/00;  
B65D 69/00; B65D 8/18; A45C 11/20;  
A45C 13/02; A45F 3/02; A45F 3/12;  
A45F 3/14; A45F 3/04; A45F 4/02; A01K  
97/20

See application file for complete search history.

(56) **References Cited**

**U.S. PATENT DOCUMENTS**

2,960,216 A \* 11/1960 Brady ..... F25D 3/08  
206/544  
4,592,482 A \* 6/1986 Seager ..... A45C 11/20  
220/318

**OTHER PUBLICATIONS**

RTIC 20 Cooler depicted at <https://www.rticcoolers.com/shop/coolers/roto-molded/RTIC-20-White>, webpage downloaded on Jan. 29, 2019.

(Continued)

*Primary Examiner* — Terry A Wallace  
(74) *Attorney, Agent, or Firm* — Patterson + Sheridan, LLP

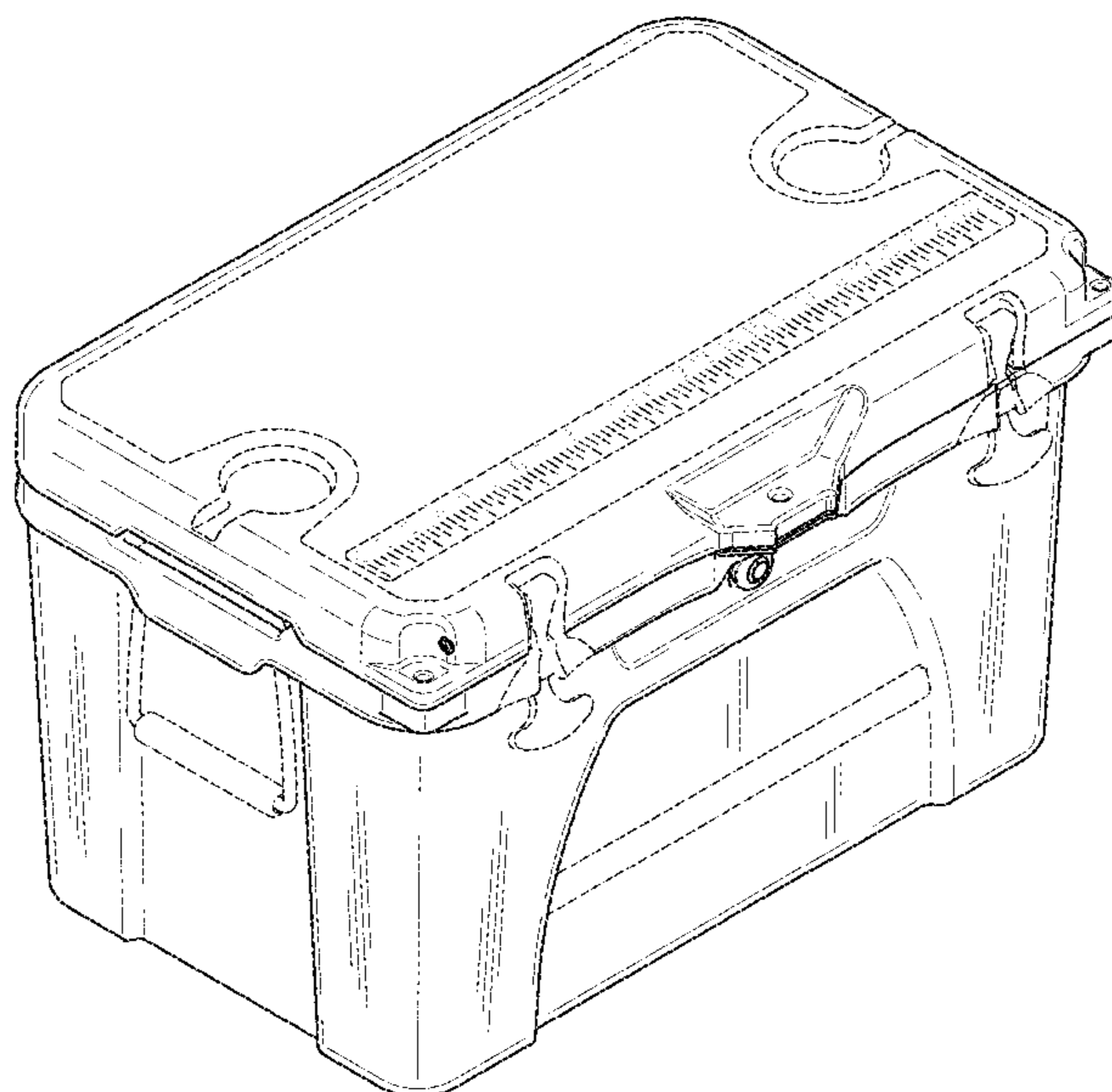
(57) **CLAIM**

The ornamental design for a cooler, as shown and described.

**DESCRIPTION**

FIG. 1 is a top front perspective view of a cooler showing my new design.  
FIG. 2 is a bottom rear perspective view thereof.  
FIG. 3 is a front elevational view thereof.  
FIG. 4 is a rear elevational view thereof.  
FIG. 5 is a first side elevational view thereof.  
FIG. 6 is a second side elevational view thereof.  
FIG. 7 is a top plan view thereof; and,  
FIG. 8 is a bottom plan view thereof.  
The portions illustrated in broken lines in the drawings do not form part of the claimed design.

**1 Claim, 6 Drawing Sheets**



(56)

**References Cited**

## OTHER PUBLICATIONS

RTIC 145 Cooler depicted at <https://www.rticcoolers.com/shop/coolers/roto-molded/RTIC-145-White>, webpage downloaded on Jan. 29, 2019.

Igloo Sportsman 20 Cooler depicted at <https://www.igloocoolers.com/collections/sportsman-hard-coolers/products/sportsman-20-qt-rotomold-cooler?variant=29722255749>, webpage downloaded on Jan. 29, 2019.

Igloo Sportsman 40 Cooler depicted at <https://www.igloocoolers.com/collections/sportsman-hard-coolers/products/sportsman-40-qt-rotomold-cooler?variant=29722258821>, webpage downloaded on Jan. 29, 2019.

Igloo Yukon 70 Cooler depicted at <https://www.igloocoolers.com/collections/yukon-hard-coolers/products/yukon-70-qt-rotomold-cooler?variant=7710741889081>, webpage downloaded on Jan. 29, 2019.

Igloo IMX 70 Cooler depicted at <https://www.igloocoolers.com/collection/imx-hard-coolers/products/49830-imx-70-qt-cooler-white>, webpage downloaded on Jan. 29, 2019.

Mammoth Cruiser Cooler, various sizes, depicted at <https://mammothcooler.com/product/cruiser/>, webpage downloaded on Jan. 29, 2019.

Mammoth Ranger Cooler, various sizes, depicted at <https://mammothcooler.com/product/ranger/>, webpage downloaded on Jan. 29, 2019.

Pelican 20qt Elite Cooler depicted at <https://www.pelicancoolers.com/collections/pelican-elite-custom-color-coolers/products/new-design-20qt-pelican-elite-cooler>, webpage downloaded on Jan. 29, 2019.

Pelican 70qt Elite Cooler depicted at <https://www.pelicancoolers.com/collections/pelican-elite-custom-color-coolers/products/pelican-70qt-elite-cooler>, webpage downloaded on Jan. 29, 2019.

Ozark Trail 73-Quart High-Performance Cooler depicted at <https://www.walmart.com/ip/Ozark-Trail-73-Quart-High-Performance-Cooler/49229408>, webpage downloaded on Jan. 30, 2019.

Ozark Trail 26-Quart High-Performance Cooler depicted at <https://www.walmart.com/ip/Ozark-Trail-26-Quart-High-Performance-Cooler/55703255>, webpage downloaded on Jan. 30, 2019.

Cabela's Polar Cap Equalizer Cooler, various sizes, depicted at <https://www.cabelas.com/product/Cabelas-Polar-Cap-Equalizer-Coolers/2063244.uts>, webpage downloaded on Jan. 30, 2019.

Engel 25 Roto-Molded Cooler depicted at [https://www.engelcoolers.com/eng25x-rotomolded-cooler.html?\\_store=default](https://www.engelcoolers.com/eng25x-rotomolded-cooler.html?_store=default), webpage downloaded on Jan. 30, 2019.

Engel 80 Roto-Molded Cooler depicted at [https://www.engelcoolers.com/eng80-rotomolded-cooler.html?\\_store=default](https://www.engelcoolers.com/eng80-rotomolded-cooler.html?_store=default), webpage downloaded on Jan. 30, 2019.

Orca 20 Quart Cooler depicted at <https://orcacoolers.com/collections/20-quart/products/white-20-cooler>, webpage downloaded on Jan. 30, 2019.

Orca 75 Quart Cooler depicted at <https://orcacoolers.com/collections/75-quart/products/white-75-cooler>, webpage downloaded on Jan. 30, 2019.

Canyon Outfitter 22 Cooler depicted at <https://canyoncoolers.com/collections/hard-coolers/products/outfitter-22>, webpage downloaded on Jan. 30, 2019.

Canyon Outfitter 75 Cooler depicted at <https://canyoncoolers.com/collections/hard-coolers/products/outfitter-75>, webpage downloaded on Jan. 30, 2019.

Orion 25 Cooler depicted at <https://store.orioncoolers.com/product/orion-25.html>, webpage downloaded on Jan. 30, 2019.

Orion 85 Cooler depicted at <https://store.orioncoolers.com/products/orion-85.html>, webpage downloaded on Jan. 30, 2019.

Grizzly 20 Cooler depicted at <https://www.grizzlycoolers.com/grizzly-20>, webpage downloaded on Jan. 30, 2019.

Grizzly 75 Cooler depicted at <https://www.grizzlycoolers.com/grizzly-75>, webpage downloaded on Jan. 30, 2019.

\* cited by examiner

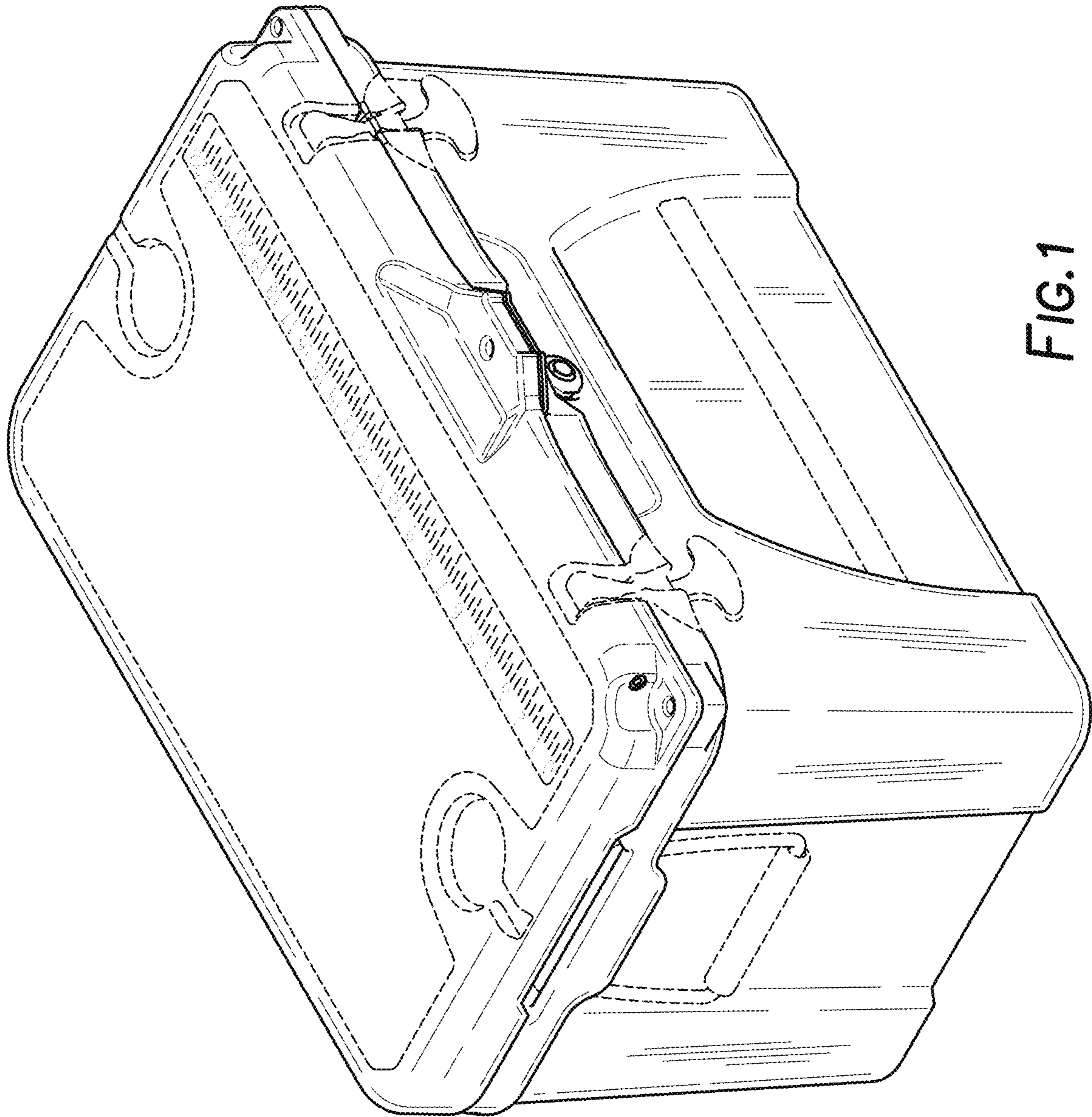


FIG.1

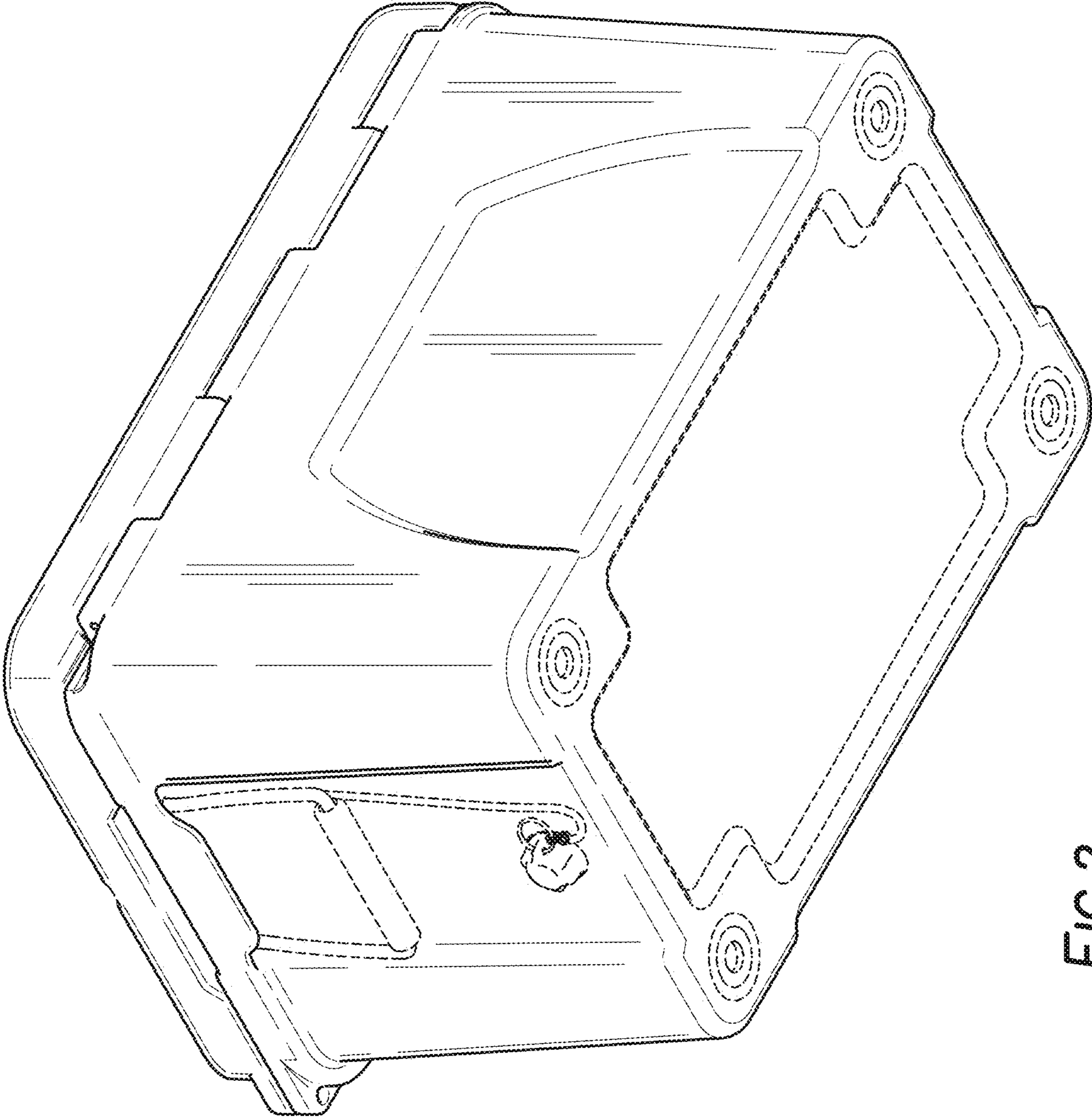


FIG.2

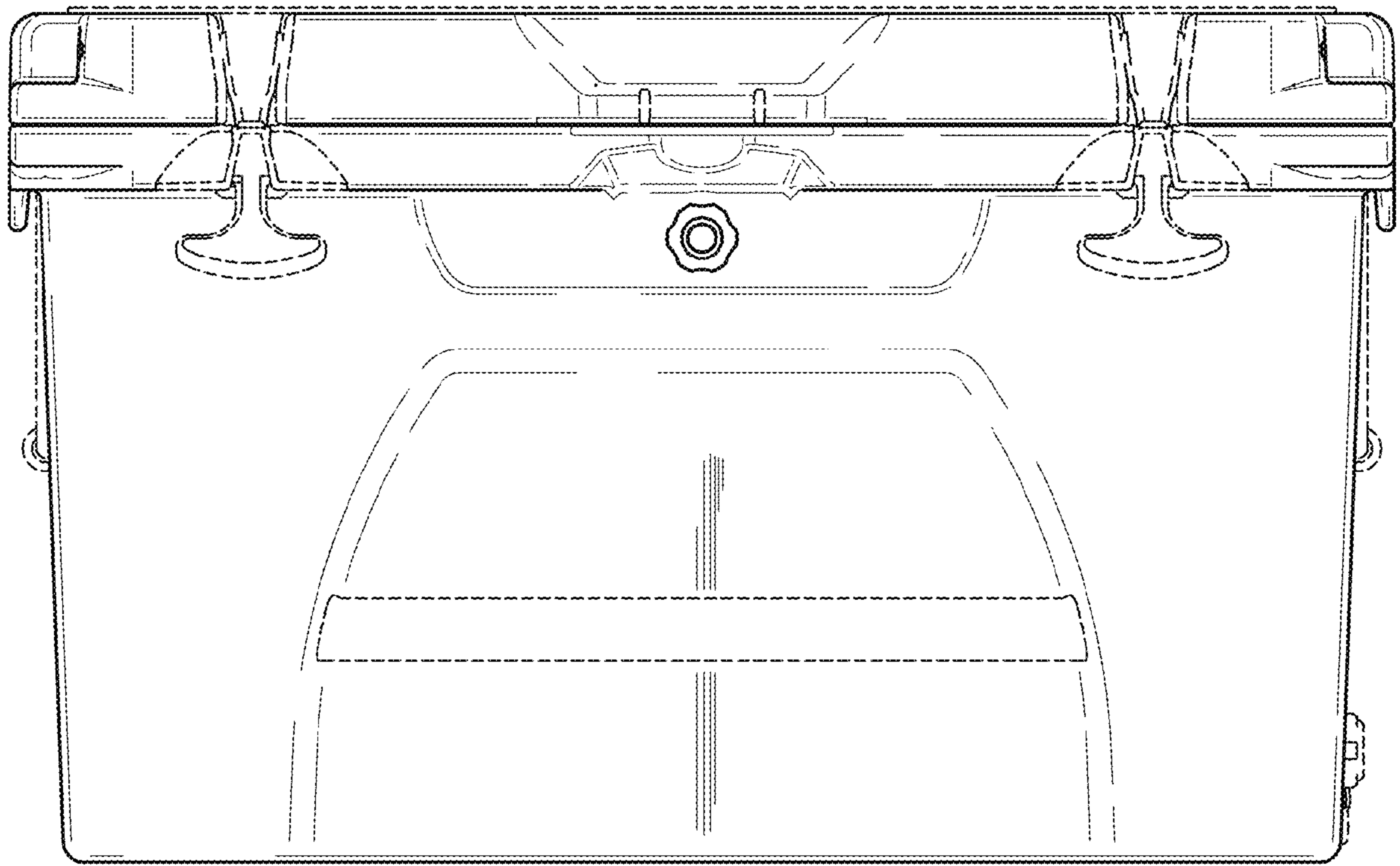


FIG. 3

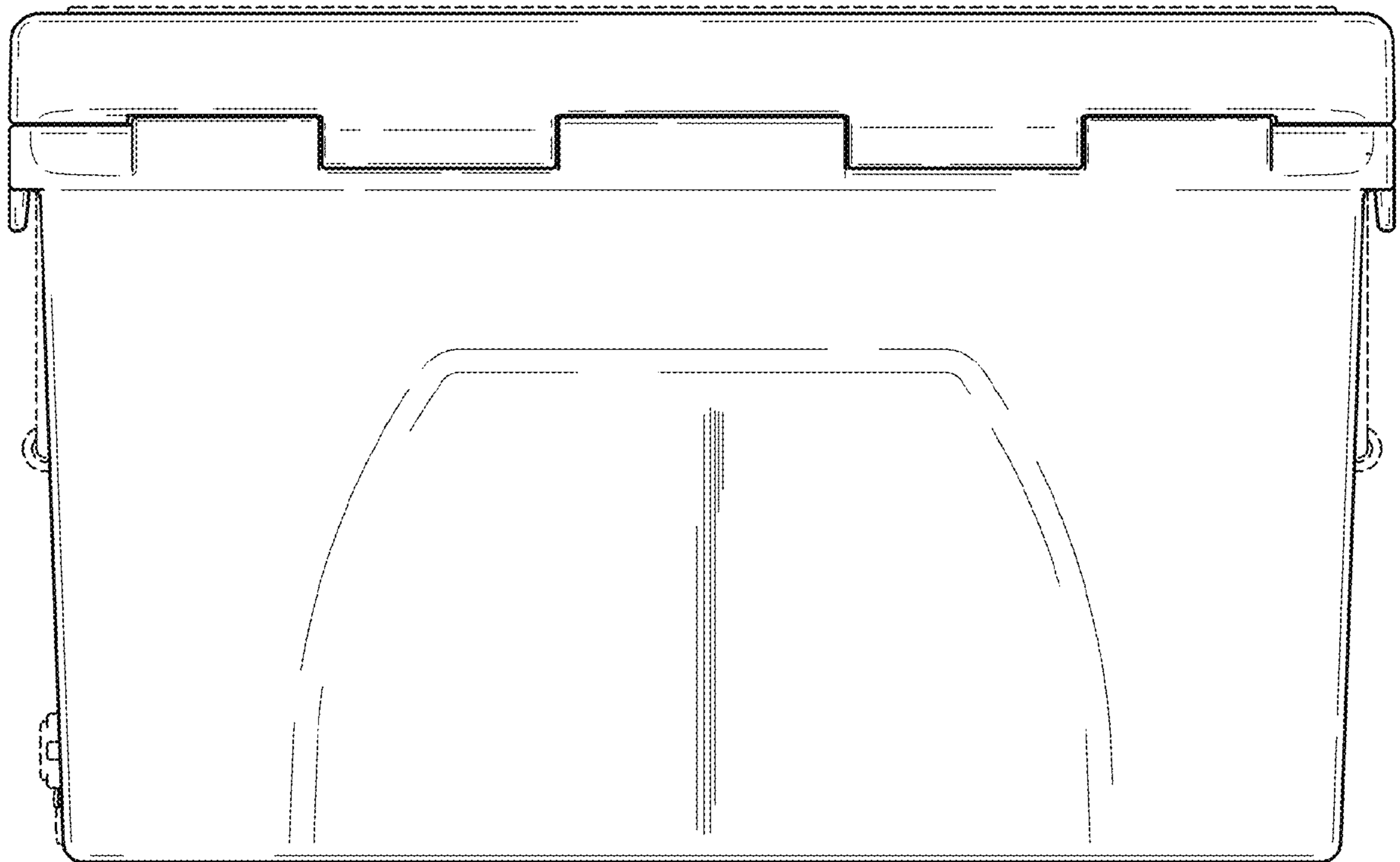


FIG. 4

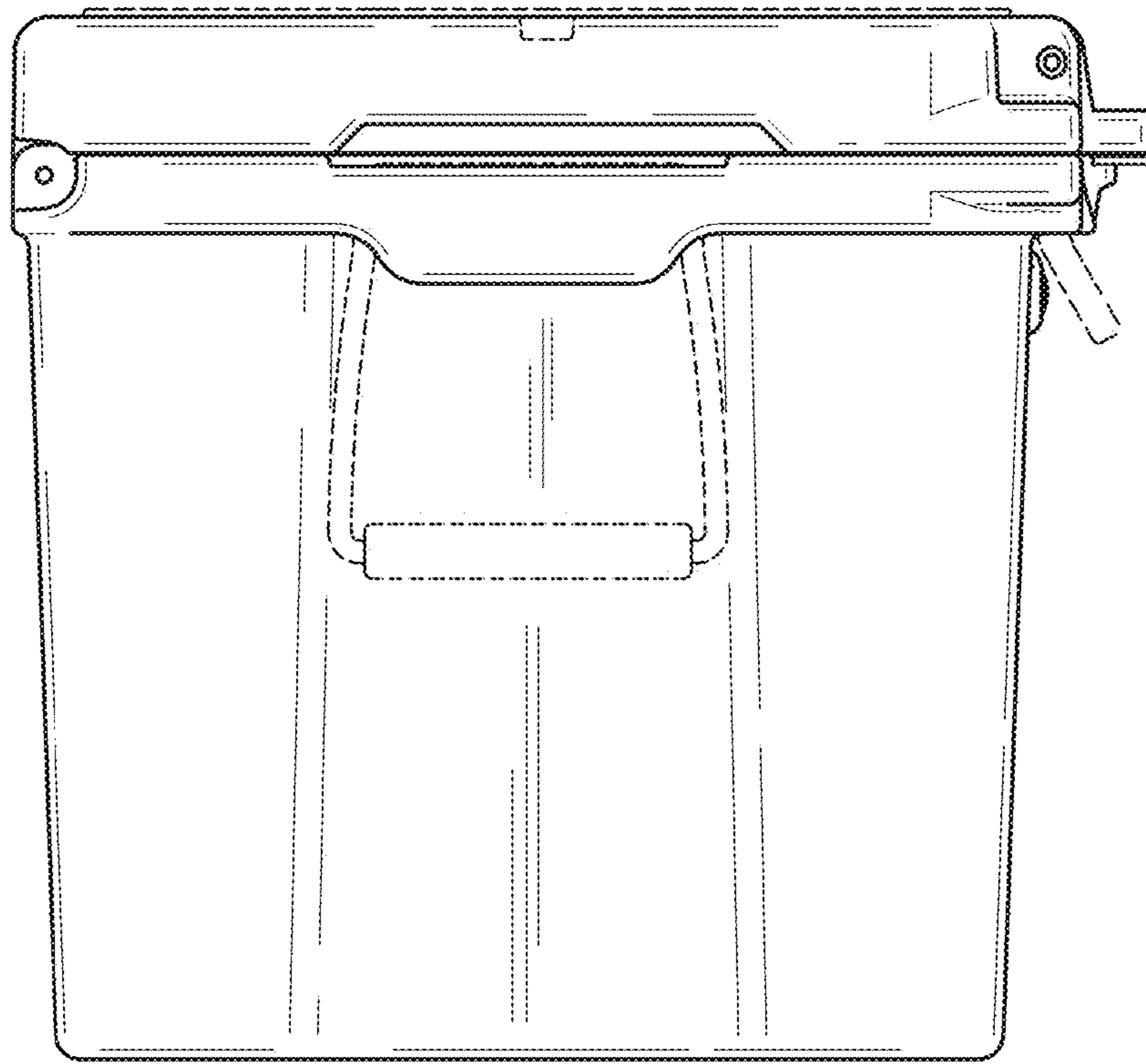


FIG. 5

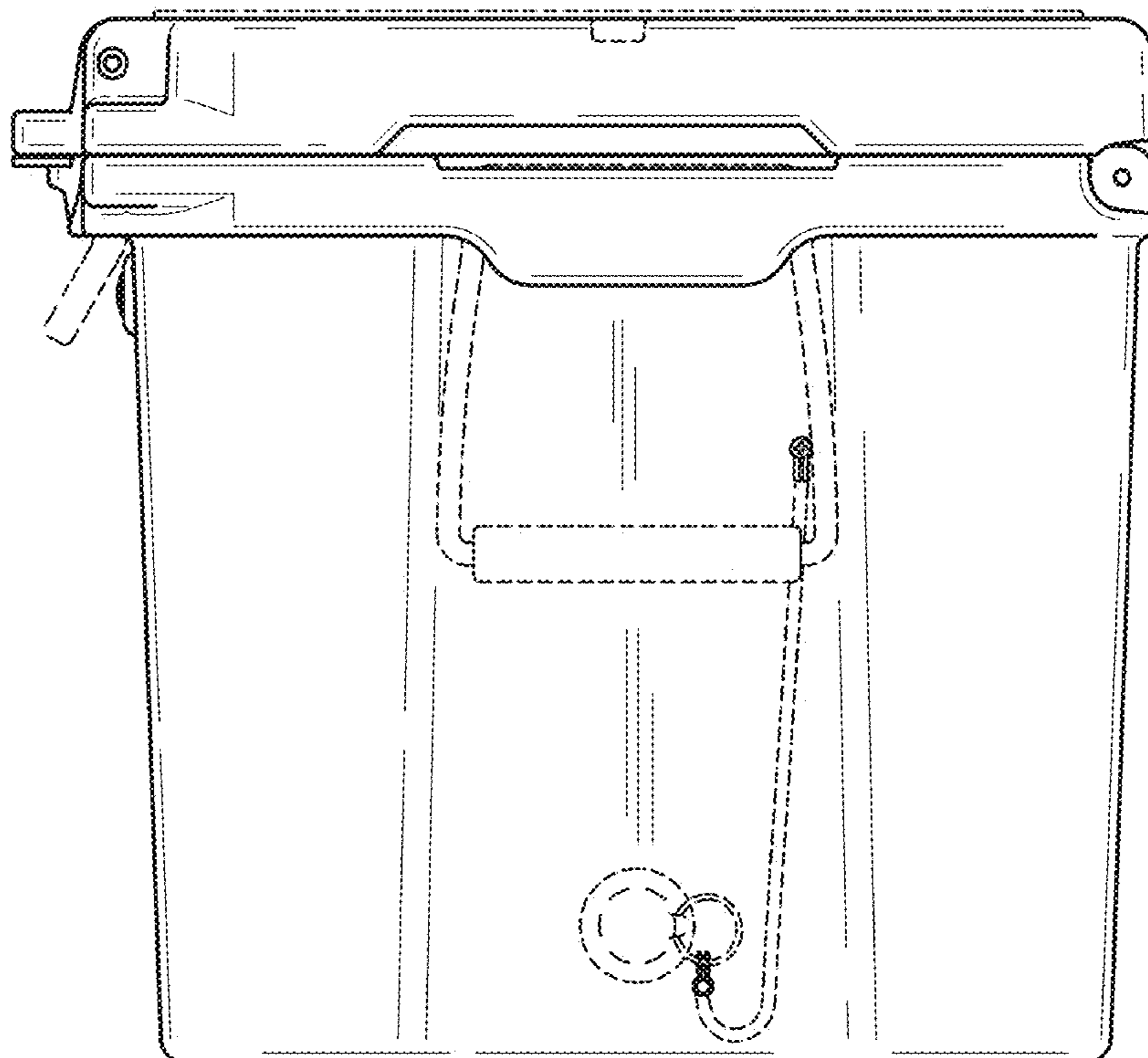


FIG. 6

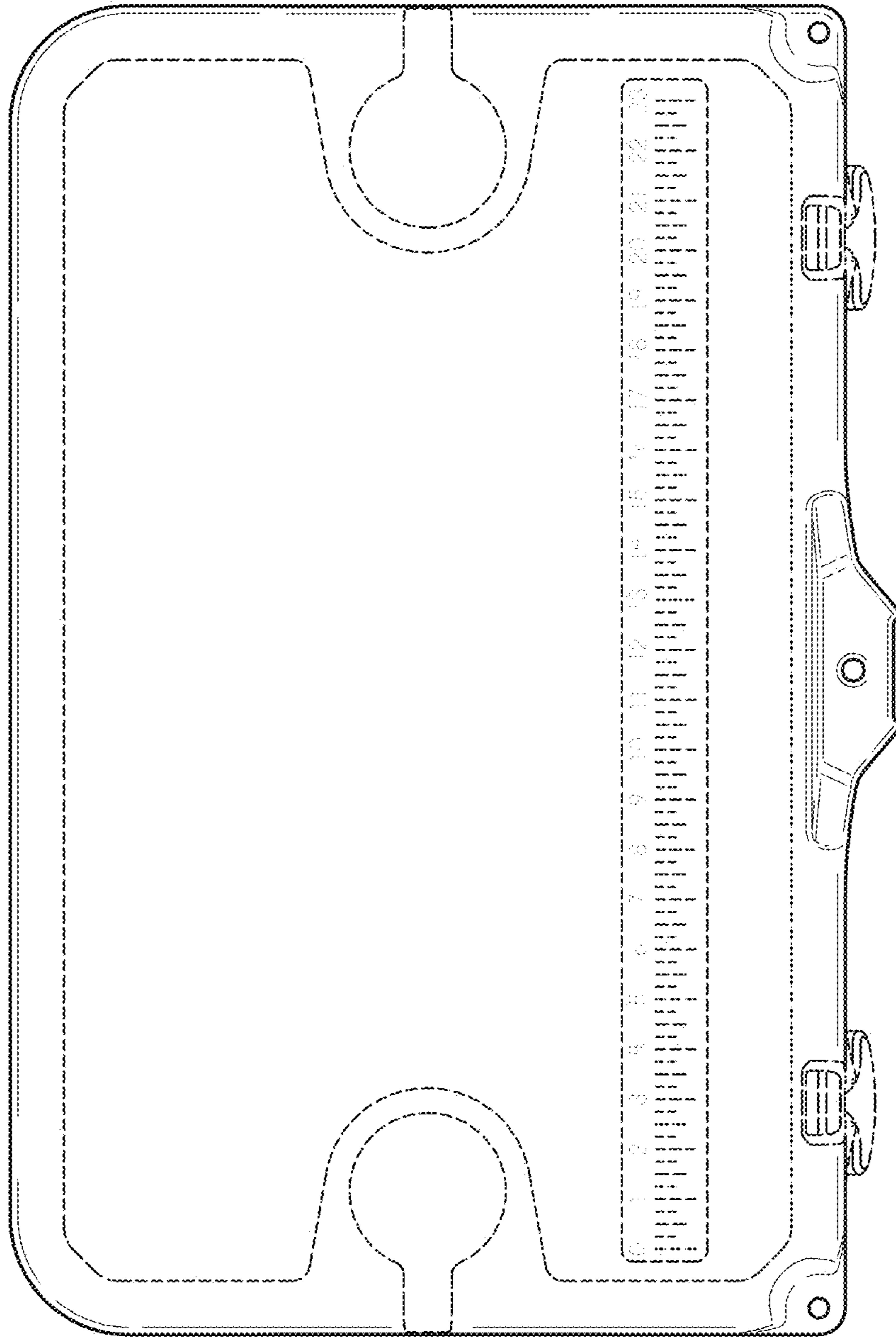


FIG. 7

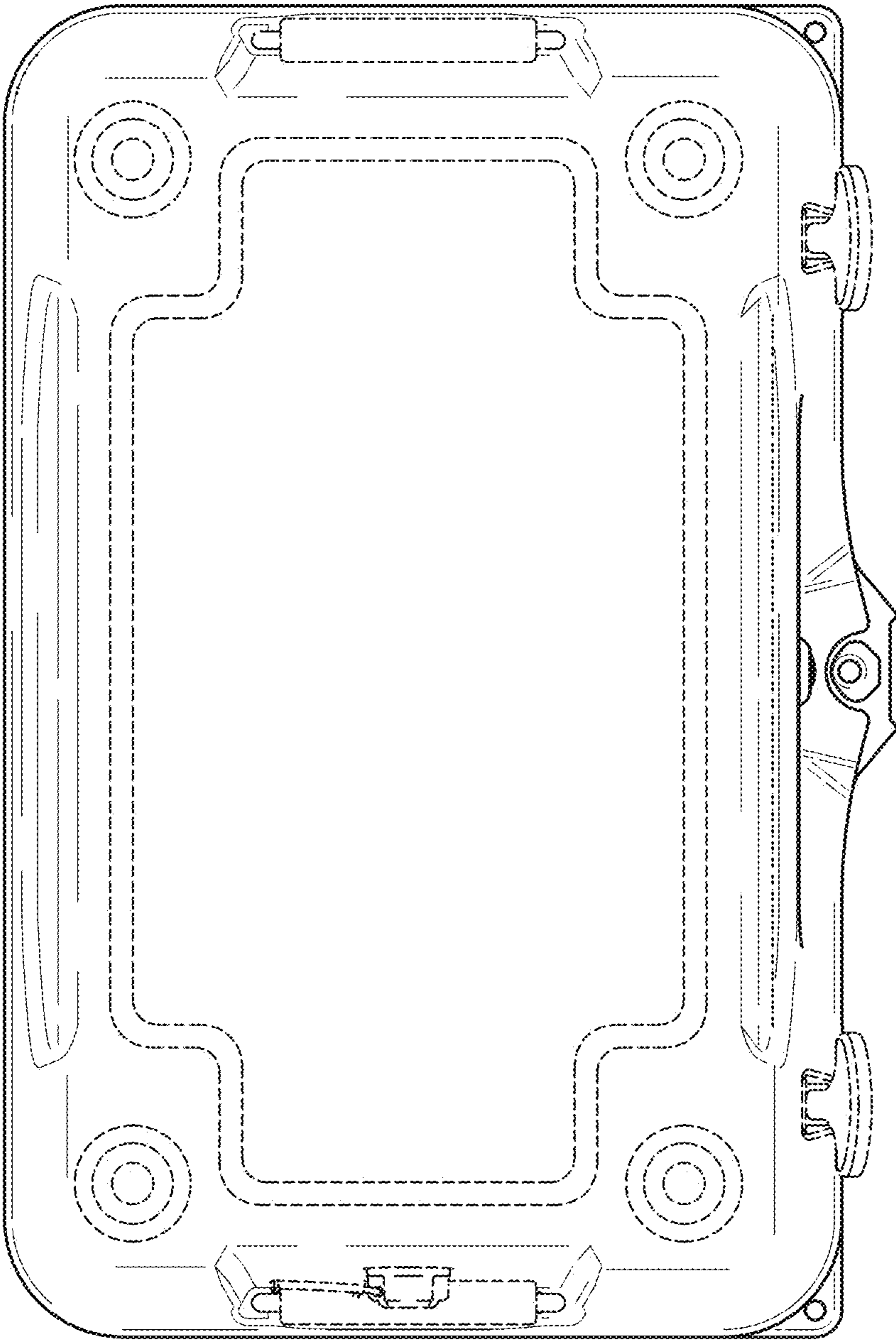


FIG.8