



US00D895374S

(12) **United States Design Patent** (10) **Patent No.:** **US D895,374 S**  
**Zhang** (45) **Date of Patent:** **\*\* Sep. 8, 2020**

(54) **POT LID HOLDER**

(71) Applicant: **Shenzhen Xiaomei Youpin Technology Co. Ltd.**, Shenzhen (CN)

(72) Inventor: **Bo Zhang**, Shenzhen (CN)

(73) Assignee: **Shenzhen Xiaomei Youpin Technology Co., Ltd.**, Shenzhen (CN)

(\*\*) Term: **15 Years**

(21) Appl. No.: **29/733,799**

(22) Filed: **May 6, 2020**

(51) **LOC (12) Cl.** ..... **07-99**

(52) **U.S. Cl.**  
USPC ..... **D7/601**

(58) **Field of Classification Search**  
USPC ..... D7/601, 388, 638; D6/556, 512;  
D8/355, 373  
CPC .. A47G 7/044; A47G 7/04; A47G 7/00; A47J  
47/16; A47J 47/00; A47J 36/12  
See application file for complete search history.

(56) **References Cited**

**U.S. PATENT DOCUMENTS**

4,936,536 A \* 6/1990 Meneghello ..... A47J 47/16  
248/309.1  
D450,540 S 11/2001 Romero

D618,958 S \* 7/2010 Di Lollo ..... D7/388  
D650,691 S \* 12/2011 Miller ..... D7/620  
D724,415 S 3/2015 Lu  
2010/0193523 A1\* 8/2010 Beisheim ..... A47J 36/12  
220/379

\* cited by examiner

*Primary Examiner* — Terry A Wallace

(74) *Attorney, Agent, or Firm* — ScienBiziP, P.C.

(57) **CLAIM**

The ornamental design for a pot lid holder, as shown and described.

**DESCRIPTION**

FIG. 1 is a top, front, right side perspective view of a pot lid holder, showing my design.

FIG. 2 is a bottom, rear, left side perspective view thereof.

FIG. 3 is a bottom, rear, right side perspective view thereof.

FIG. 4 is a front elevation view thereof.

FIG. 5 is a rear elevation view thereof.

FIG. 6 is a left side elevation view thereof.

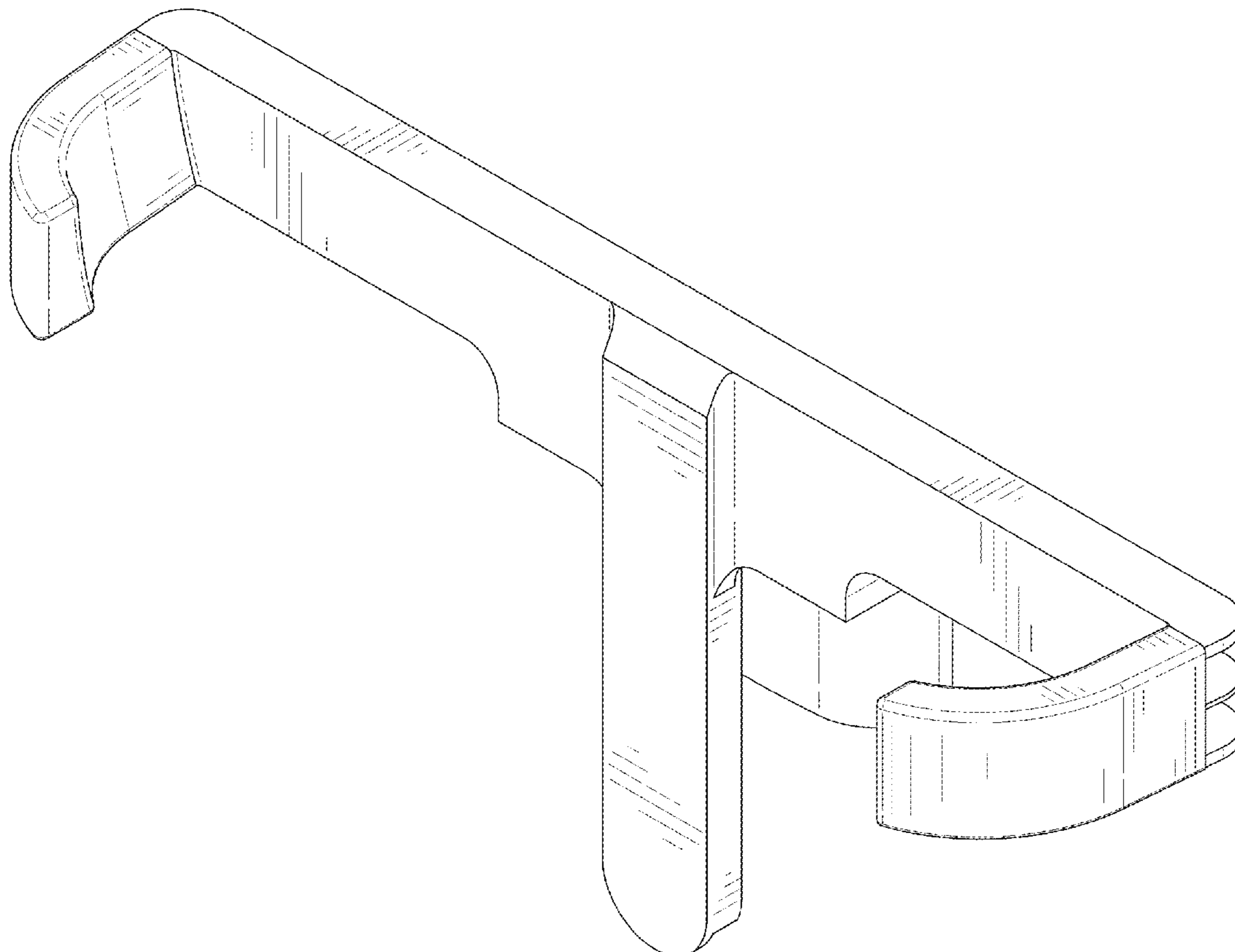
FIG. 7 is a right side elevation view thereof.

FIG. 8 is a top plan view thereof; and,

FIG. 9 is a bottom plan view thereof.

The broken lines shown in the drawings are included for the purpose of illustrating portions of the pot lid holder that form no part of the claimed design.

**1 Claim, 9 Drawing Sheets**



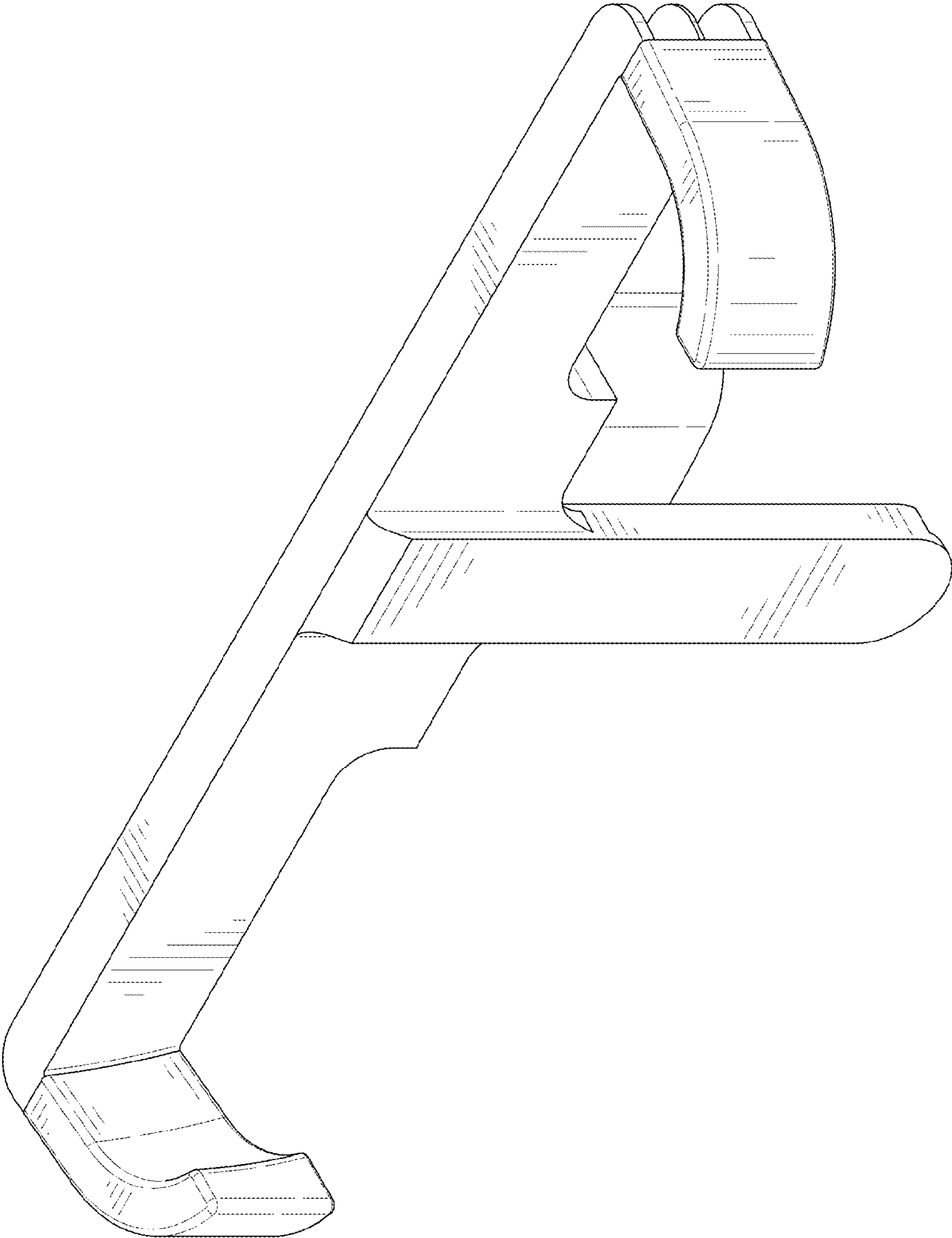


FIG. 1

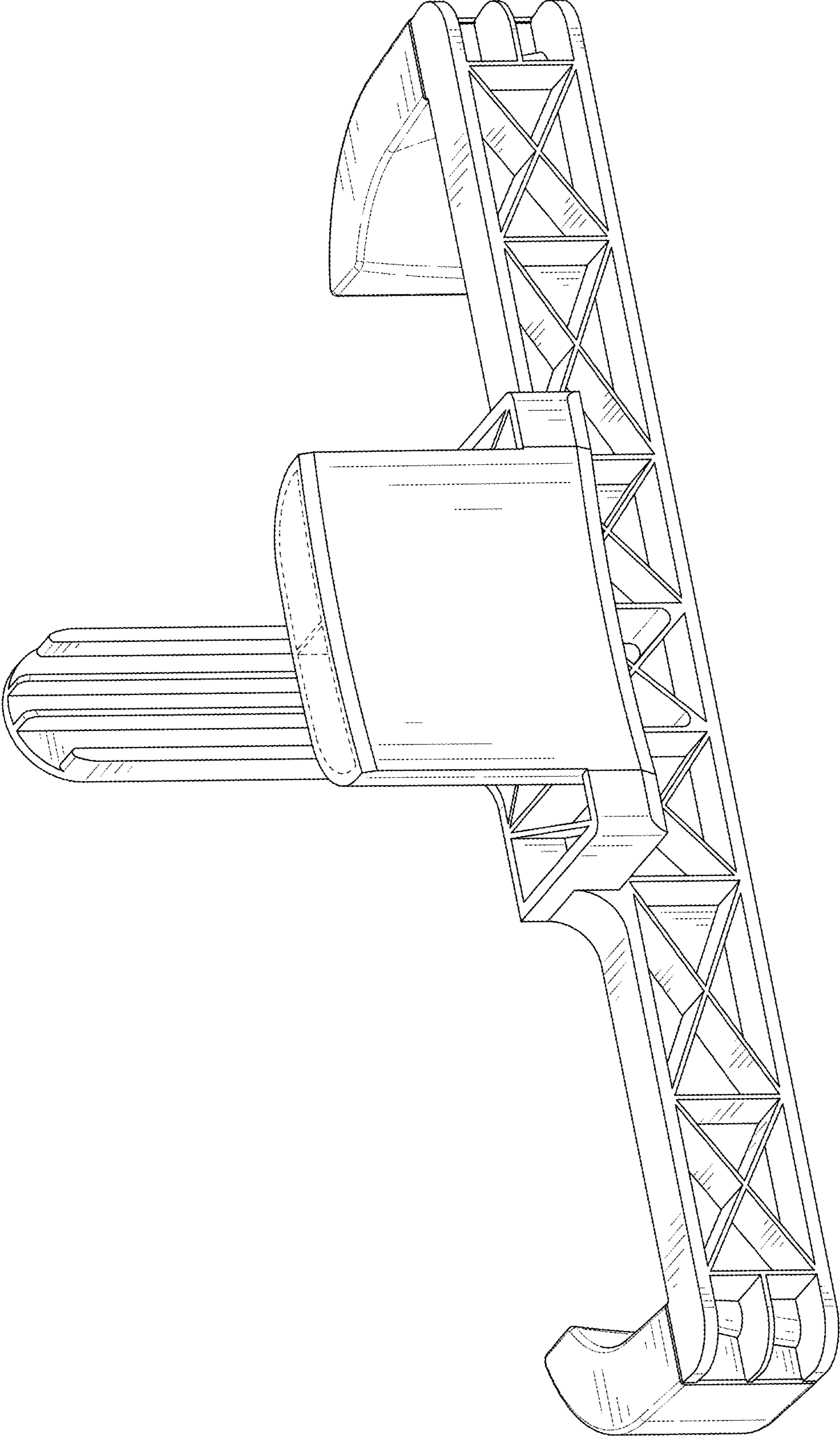


FIG. 2

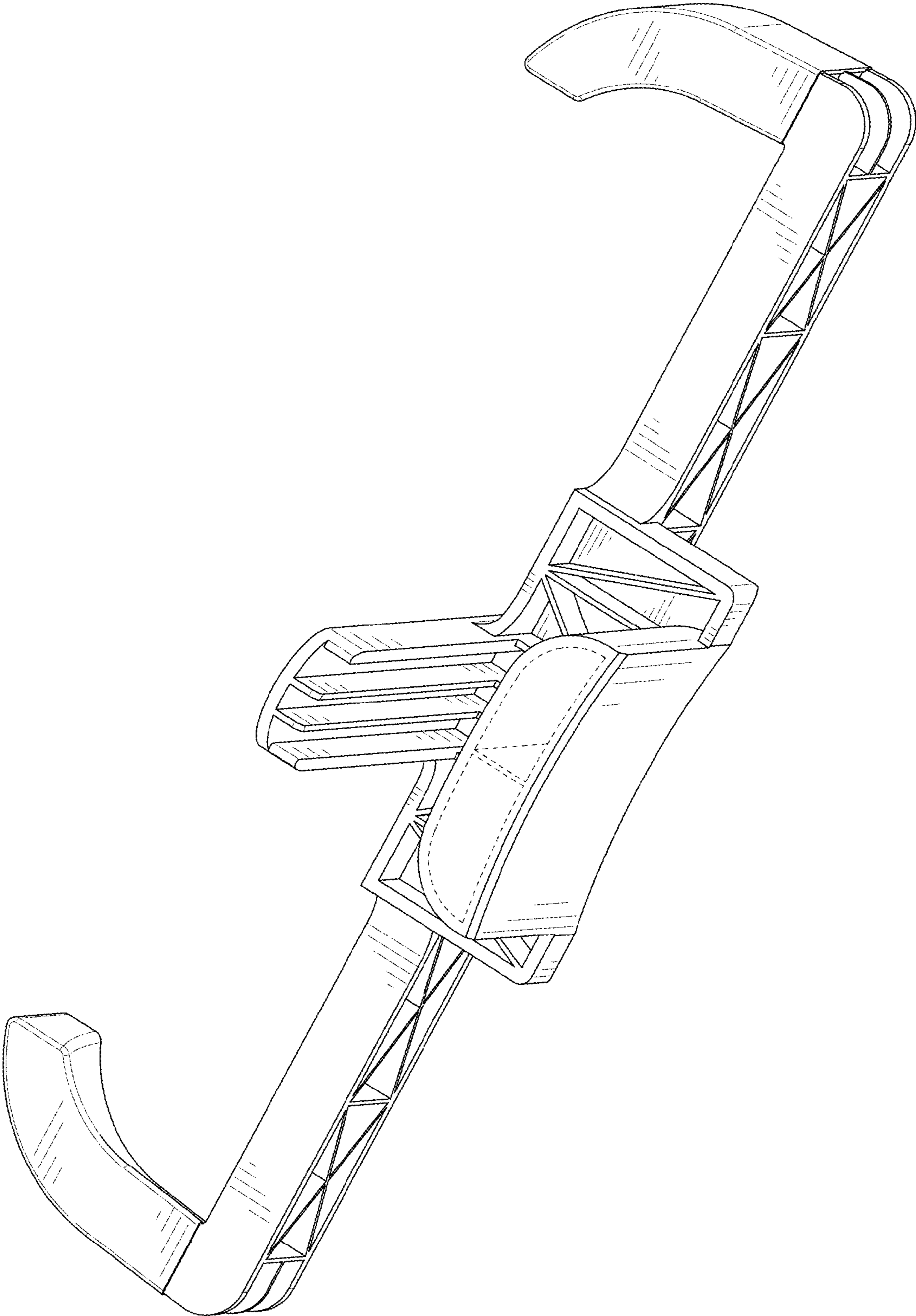


FIG. 3

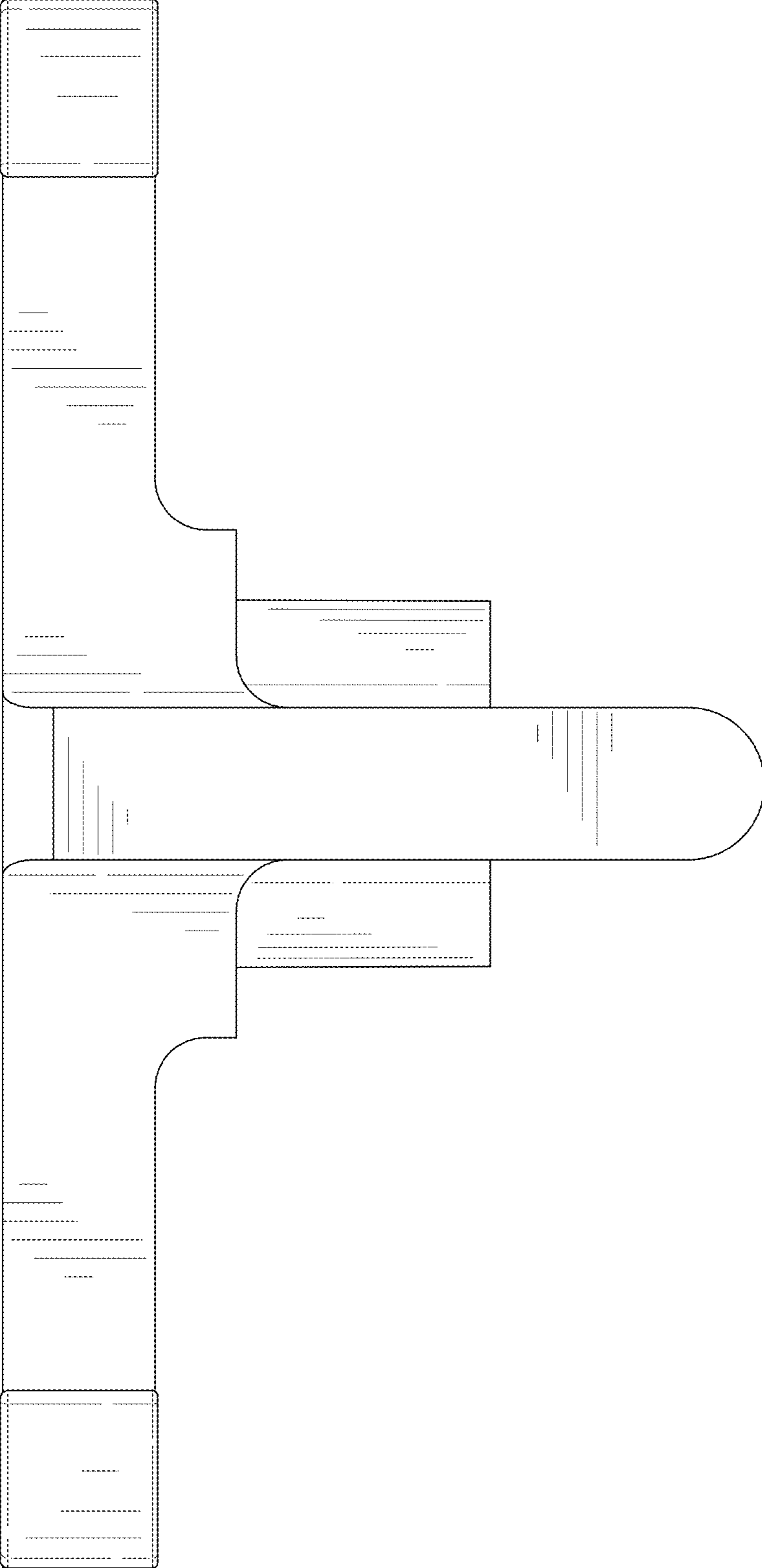


FIG. 4

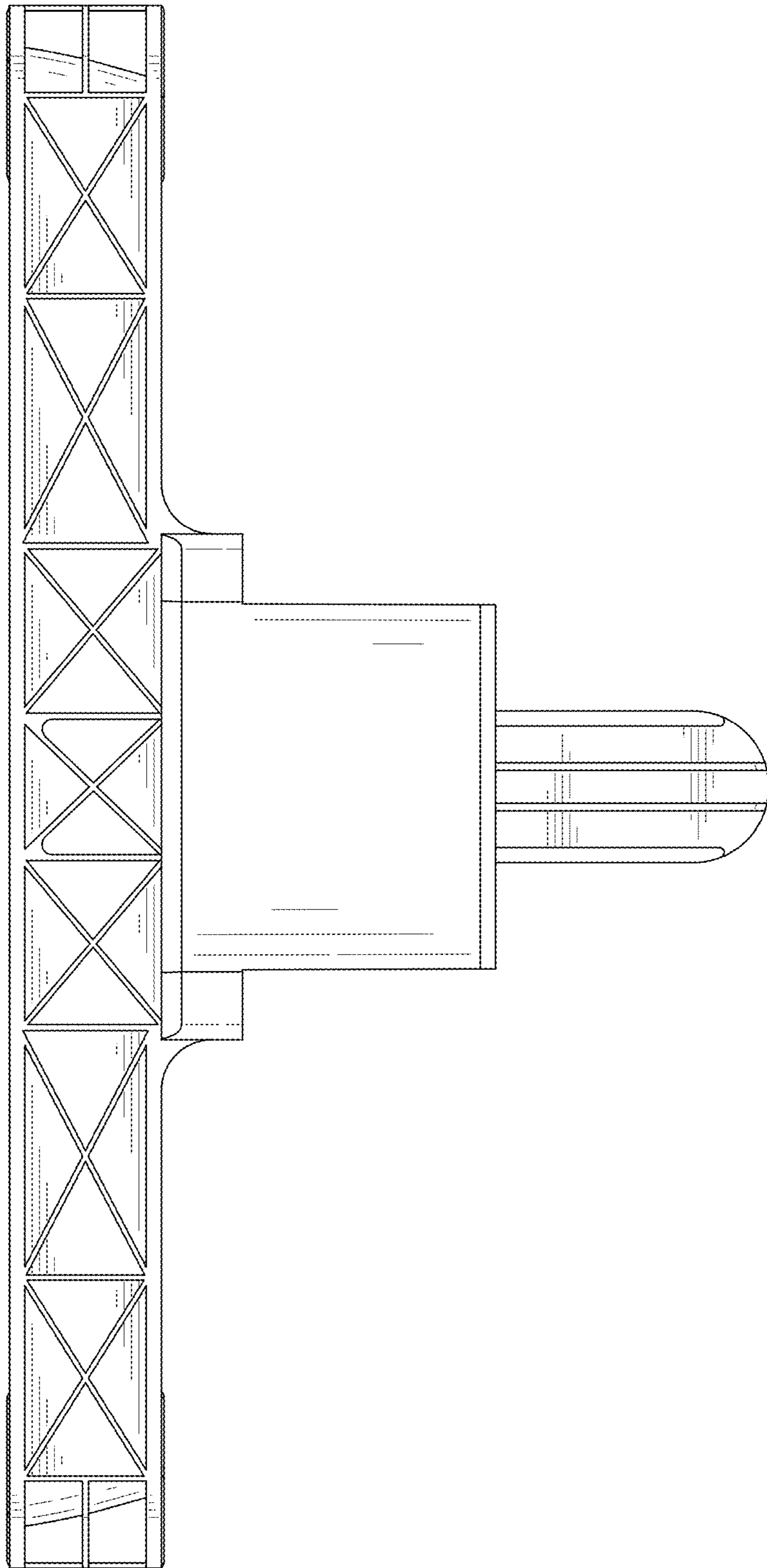


FIG. 5

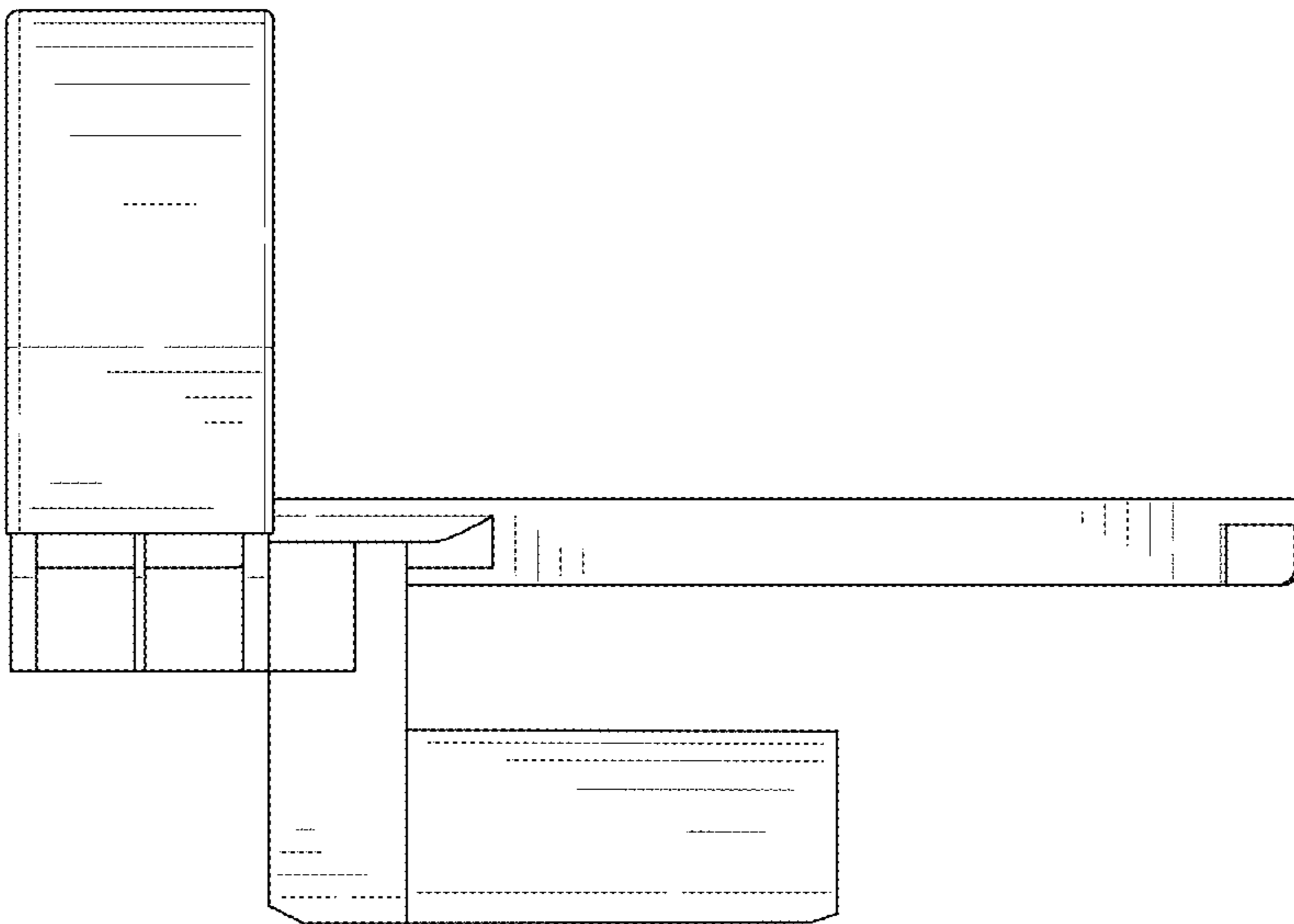


FIG. 6

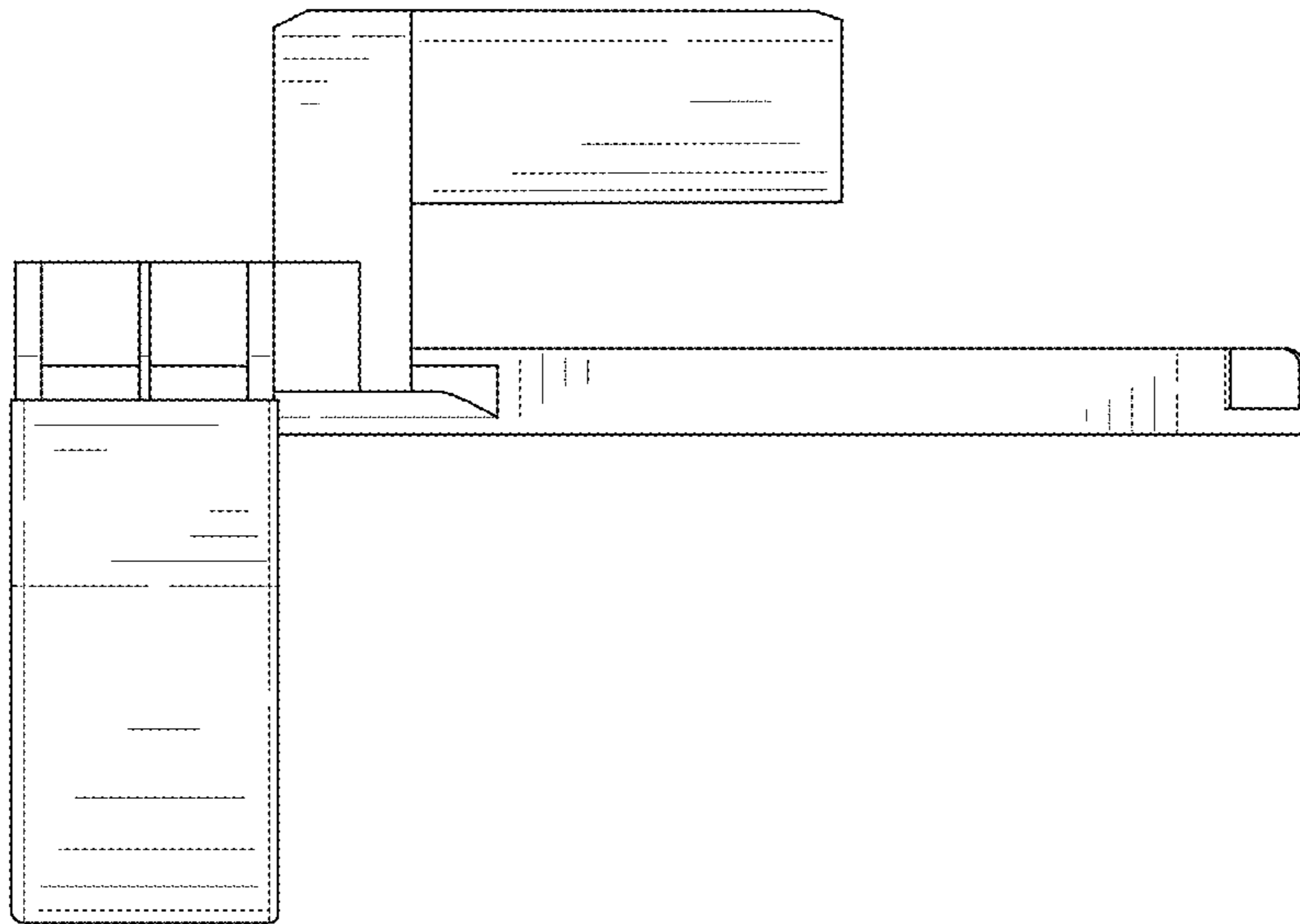


FIG. 7



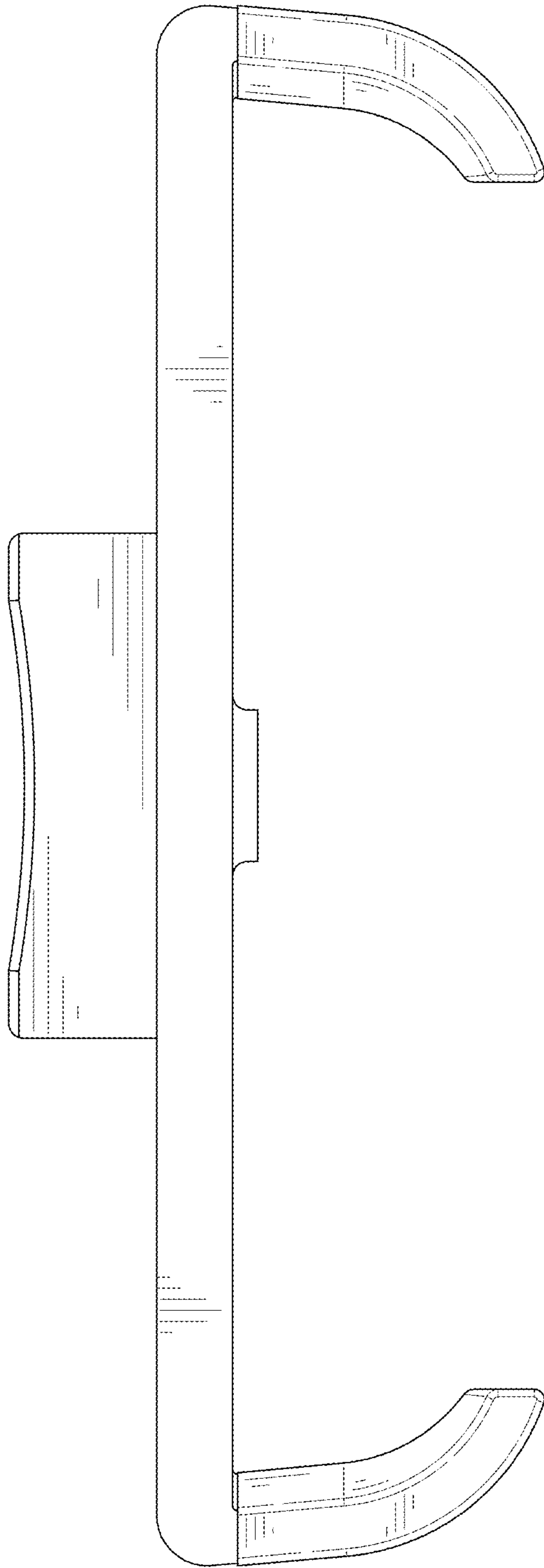


FIG. 8

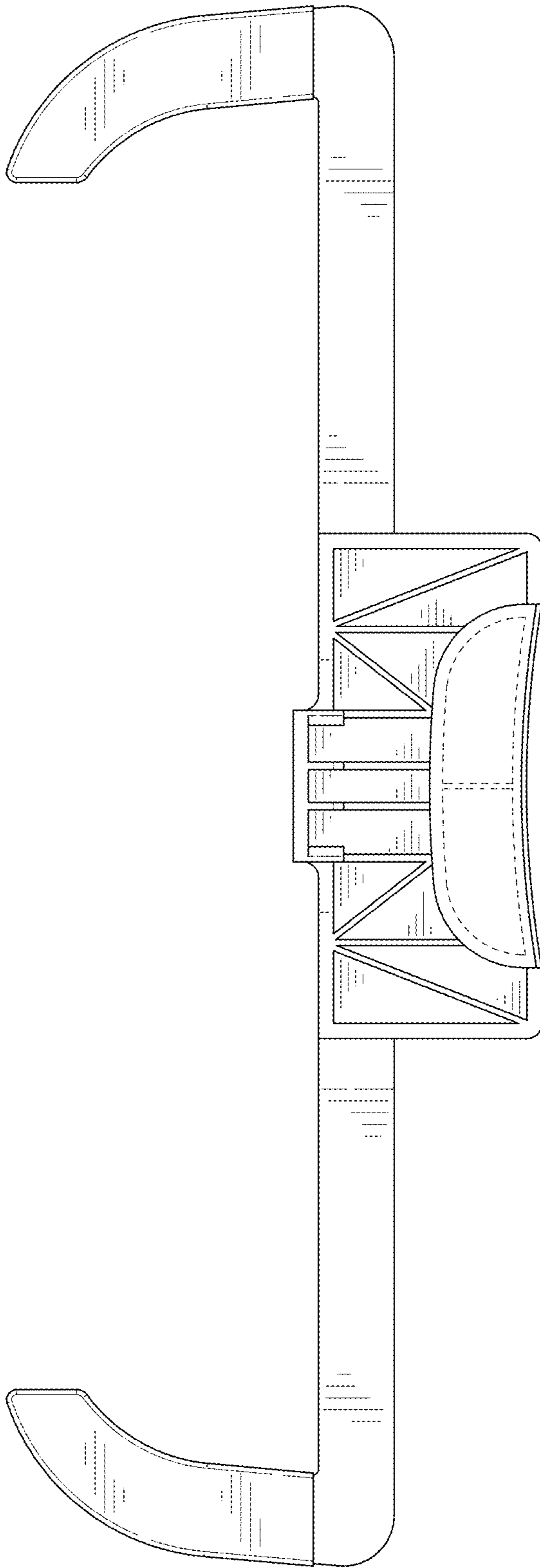


FIG. 9