



US00D895372S

(12) **United States Design Patent**
Loudenslager et al.

(10) **Patent No.:** **US D895,372 S**
(45) **Date of Patent:** **** Sep. 8, 2020**

- (54) **BOWL**
- (71) Applicant: **YETI Coolers, LLC**, Austin, TX (US)
- (72) Inventors: **John Loudenslager**, Austin, TX (US);
Robert Throop, Austin, TX (US); **Liza Morris**, Austin, TX (US)
- (73) Assignee: **YETI Coolers, LLC**, Austin, TX (US)
- (**) Term: **15 Years**
- (21) Appl. No.: **29/691,792**
- (22) Filed: **May 20, 2019**
- (51) **LOC (12) Cl.** **07-01**
- (52) **U.S. Cl.**
USPC **D7/584**; D19/104
- (58) **Field of Classification Search**
USPC D7/500, 587, 565, 560, 543, 584, 523;
D30/130; D19/104
CPC A47G 19/025; A47G 19/02
See application file for complete search history.

(56) **References Cited**

U.S. PATENT DOCUMENTS

640,418	A	1/1900	Royer	
3,390,821	A	7/1968	Mullan	
4,383,564	A	5/1983	Hoie	
5,417,337	A	5/1995	Robbins, III	
5,439,128	A *	8/1995	Fishman A45F 3/20
				206/218
5,549,213	A *	8/1996	Robbins A47G 23/0241
				215/329
6,019,244	A	2/2000	Jones	
6,412,652	B1	7/2002	Woram et al.	
6,516,747	B1	2/2003	Willinger	
6,616,004	B1	9/2003	Erickson et al.	
D483,225	S	12/2003	Gain	
6,666,329	B1	12/2003	Charbonneau	
D522,809	S *	6/2006	Kusuma B65D 21/086
				D7/602

7,083,043	B2	8/2006	Sharon	
D544,303	S	6/2007	Strepkoff	
D582,101	S *	12/2008	Shamoon D30/129
7,654,402	B2	2/2010	Kusuma et al.	
D611,769	S	3/2010	Hauser	
7,678,271	B2	3/2010	Curtin	
D614,453	S *	4/2010	Curtin D7/629
D629,264	S *	12/2010	Curtin D7/602
D645,705	S *	9/2011	Shamoon D7/543
D650,635	S	12/2011	Luo	
8,118,182	B1	2/2012	Licari	
D664,003	S	7/2012	Nagoya	
8,215,230	B2	7/2012	Curtin	

(Continued)

FOREIGN PATENT DOCUMENTS

CA	167132	A	1/1916
CN	3620285	D	3/2007

(Continued)

Primary Examiner — Cynthia R Underwood
(74) *Attorney, Agent, or Firm* — Banner & Witcoff, Ltd.

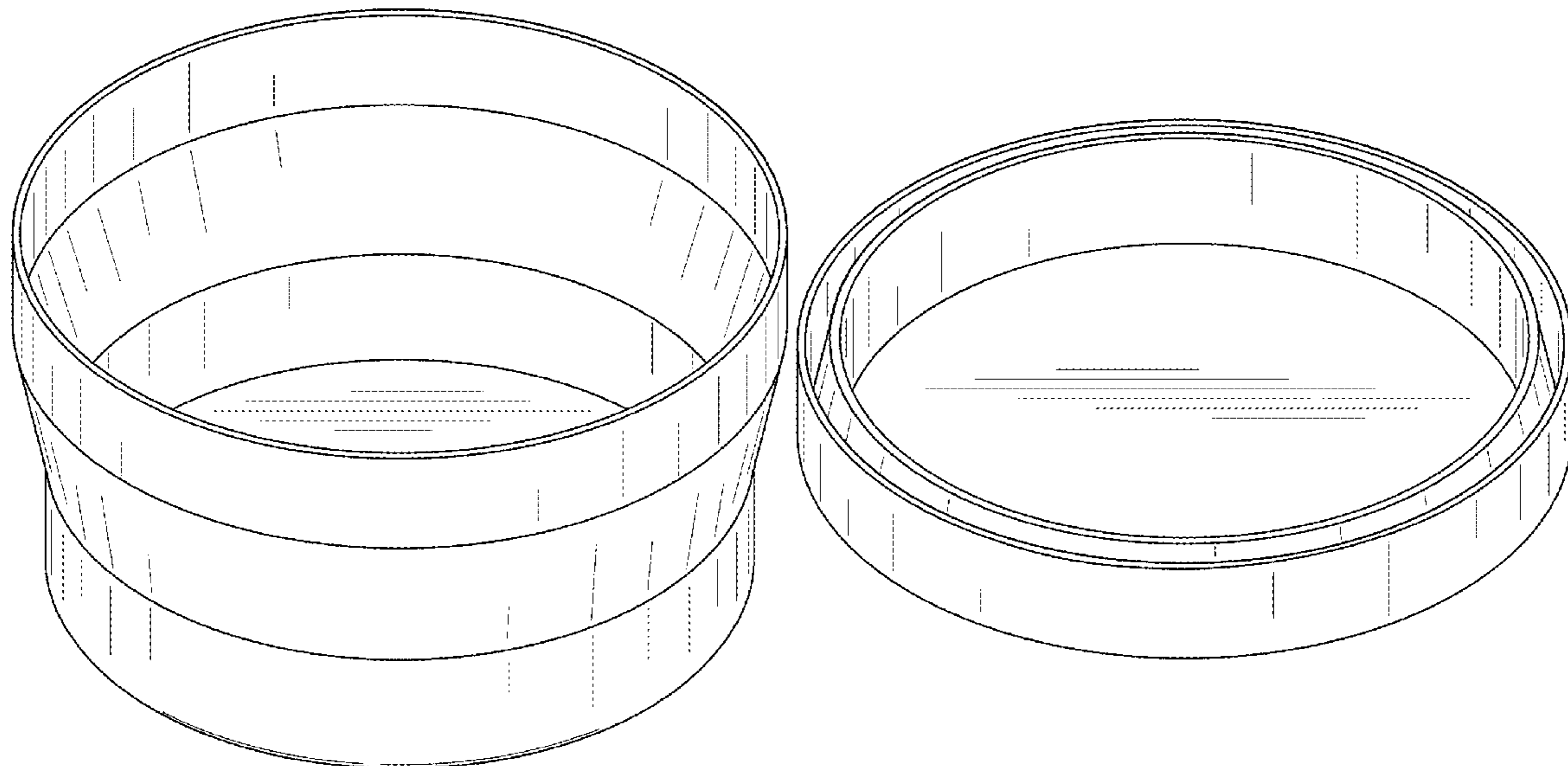
(57) **CLAIM**

The ornamental design for a bowl, as shown and described.

DESCRIPTION

FIG. 1 is a top, front perspective of a bowl showing our new design;
FIG. 2 is a bottom, front perspective view thereof;
FIG. 3 is a front view thereof;
FIG. 4 is a rear view thereof;
FIG. 5 is a right side view thereof;
FIG. 6 is a left side view thereof;
FIG. 7 is a top view thereof;
FIG. 8 is a bottom view thereof; and,
FIG. 9 is a top, front perspective view of an alternative claimed configuration of a bowl showing our new design.

1 Claim, 7 Drawing Sheets



(56)

References Cited

U.S. PATENT DOCUMENTS

D671,166 S * 11/2012 Papenfuß D19/104
 8,313,000 B1 11/2012 Tuan
 D682,617 S 5/2013 Miksovsky et al.
 8,556,099 B2 10/2013 Perlman
 D699,078 S * 2/2014 Katterheinrich D7/587
 8,887,942 B2 11/2014 Miksovsky et al.
 9,044,082 B2 6/2015 Kusuma et al.
 9,079,685 B2 * 7/2015 Sudakoff B65D 21/086
 9,221,582 B2 * 12/2015 Wheeler B65D 21/086
 D746,640 S * 1/2016 Myoung D7/527
 D763,626 S * 8/2016 Westrick D7/584
 D779,886 S 2/2017 Singlaub
 9,694,938 B2 7/2017 Hollis et al.
 9,708,098 B2 * 7/2017 Plott B65D 21/086
 9,926,105 B2 3/2018 Tsui
 D816,278 S 4/2018 Keil et al.
 D823,643 S * 7/2018 Paul D7/584
 D828,068 S * 9/2018 Tsui D7/313
 D838,551 S * 1/2019 Biber D7/584
 10,196,169 B2 * 2/2019 Tsui A45C 7/0031
 D850,863 S * 6/2019 Miksovsky D7/584
 D853,663 S * 7/2019 Song D30/129
 D857,460 S * 8/2019 Spater D7/587
 D862,988 S * 10/2019 Wiggins D7/587
 D869,240 S * 12/2019 Modi D7/584
 2003/0230588 A1 * 12/2003 Zepter A47J 27/002
 220/669
 2004/0261725 A1 12/2004 Myers
 2008/0099476 A1 * 5/2008 Fung B65D 15/18
 220/6
 2008/0314326 A1 12/2008 Albert
 2009/0114657 A1 * 5/2009 Hsu A47G 19/02
 220/574
 2009/0202684 A1 8/2009 Willemsen et al.
 2010/0140279 A1 * 6/2010 Tyson B65D 21/086
 220/666
 2011/0248040 A1 10/2011 McGregor
 2013/0140211 A1 6/2013 Robbins, III et al.
 2013/0264340 A1 10/2013 Zens
 2013/0277364 A1 * 10/2013 Kusuma A45F 3/20
 220/8
 2013/0284753 A1 10/2013 Kellmann

2015/0253055 A1 9/2015 Tsui
 2016/0368664 A1 12/2016 Balmes et al.
 2017/0050800 A1 2/2017 Gain
 2018/0148240 A1 5/2018 Abbey et al.

FOREIGN PATENT DOCUMENTS

CN 301527408 S 4/2011
 CN 301766624 S 12/2011
 CN 202354196 U 8/2012
 CN 101820801 B 10/2012
 CN 302744140 S 2/2014
 CN 103858782 A 6/2014
 CN 203646267 U 6/2014
 CN 203775888 U 8/2014
 CN 203884381 U 10/2014
 CN 303003822 S 11/2014
 CN 204764789 U 11/2015
 CN 204970669 U 1/2016
 CN 205180022 U 4/2016
 CN 303667400 S 5/2016
 CN 303688902 S 6/2016
 CN 205431472 U 8/2016
 CN 105919381 A 9/2016
 CN 205597654 U 9/2016
 CN 206043069 U 3/2017
 CN 304225404 S 8/2017
 CN 107440438 A 12/2017
 CN 304398206 S 12/2017
 CN 304412427 S 12/2017
 CN 304453321 S 1/2018
 CN 107718435 A 2/2018
 CN 107718436 A 2/2018
 CN 107752647 A 3/2018
 CN 108113378 A 6/2018
 CN 108209127 A 6/2018
 CN 108209405 A 6/2018
 CN 108209408 A 6/2018
 CN 108244814 A 7/2018
 CN 108433482 A 8/2018
 CN 207979464 U 10/2018
 WO 14062123 A1 4/2014
 WO 16051208 A1 4/2016

* cited by examiner

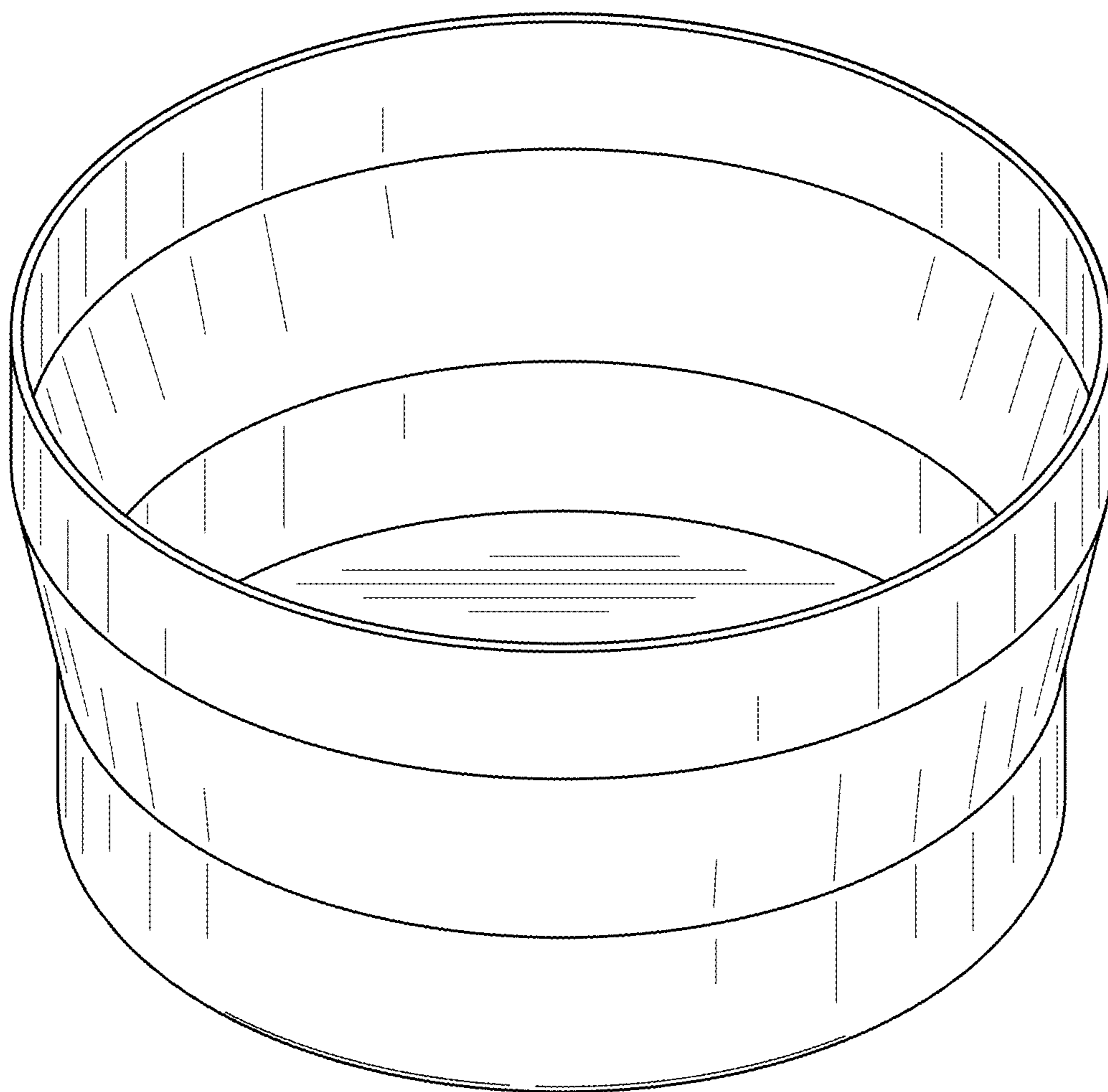


FIG. 1

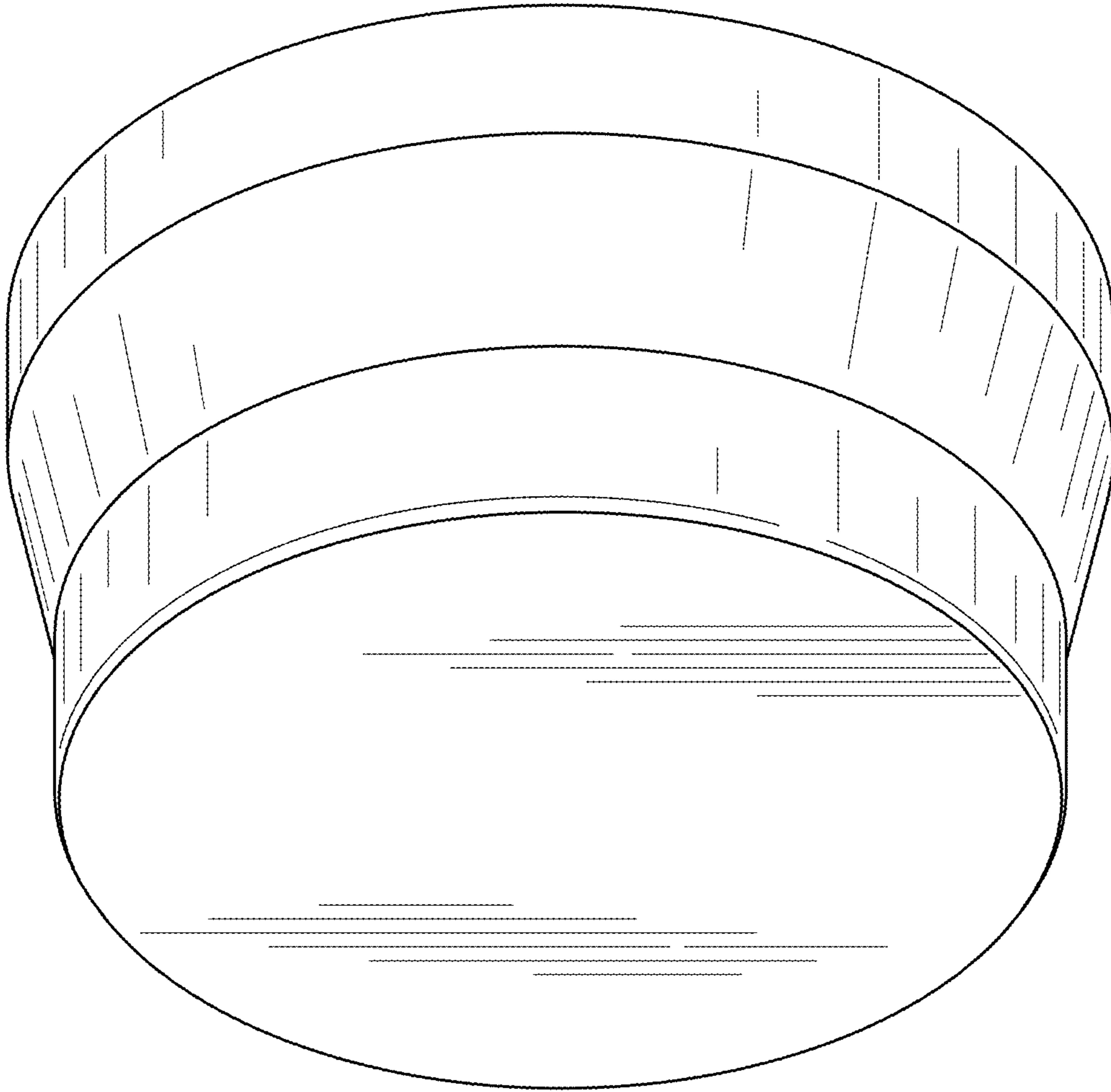


FIG. 2

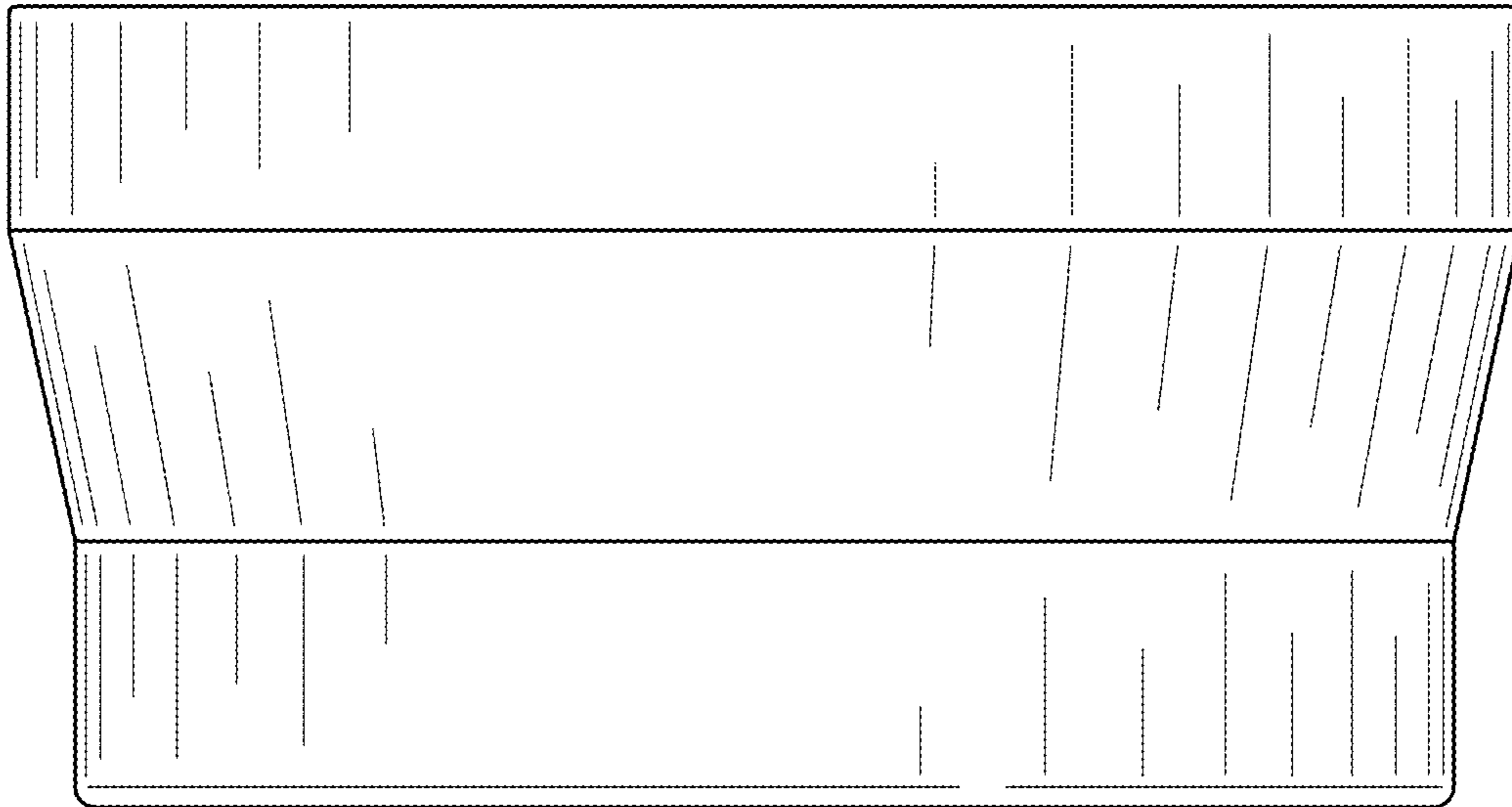


FIG. 3

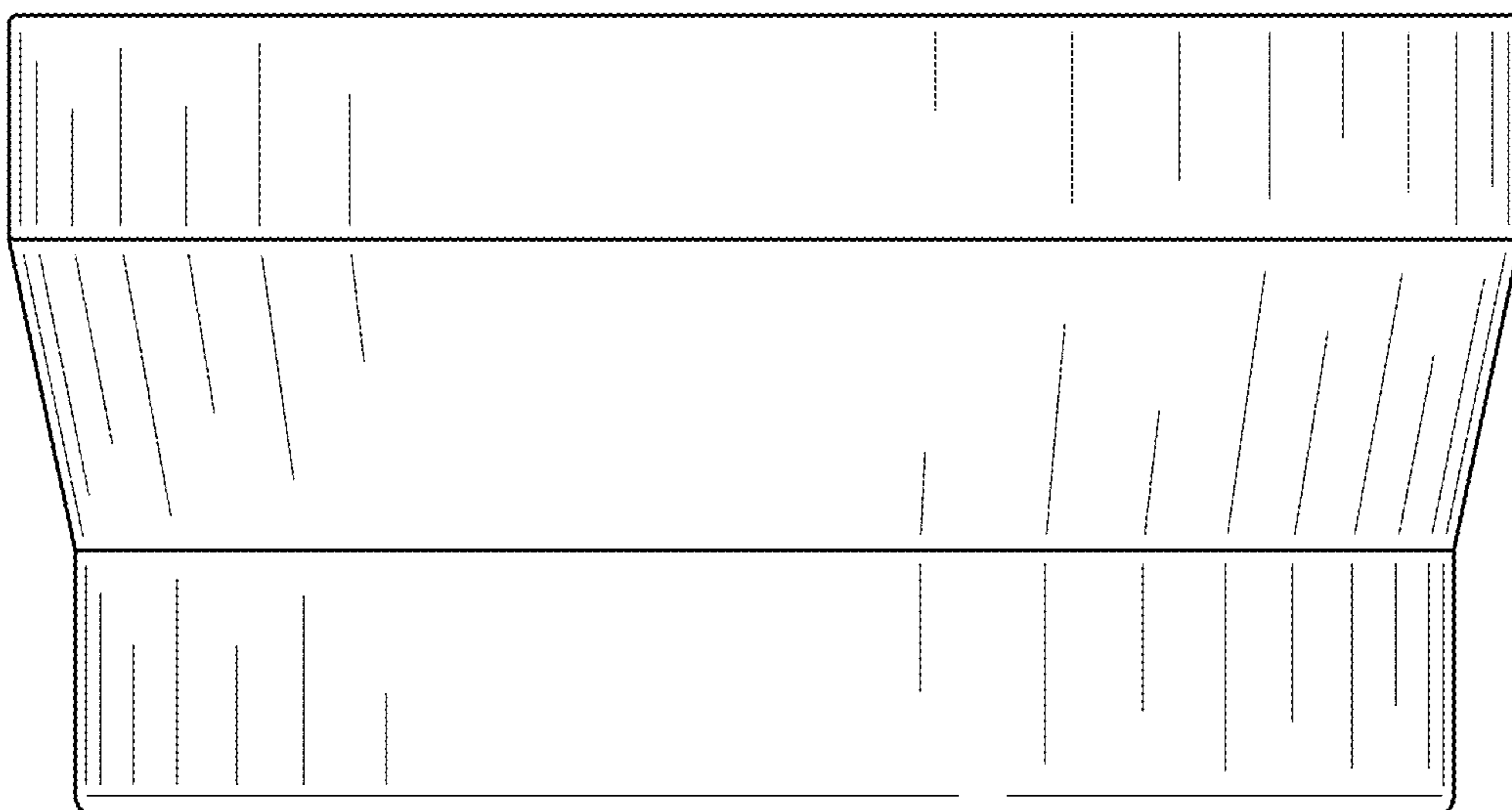


FIG. 4

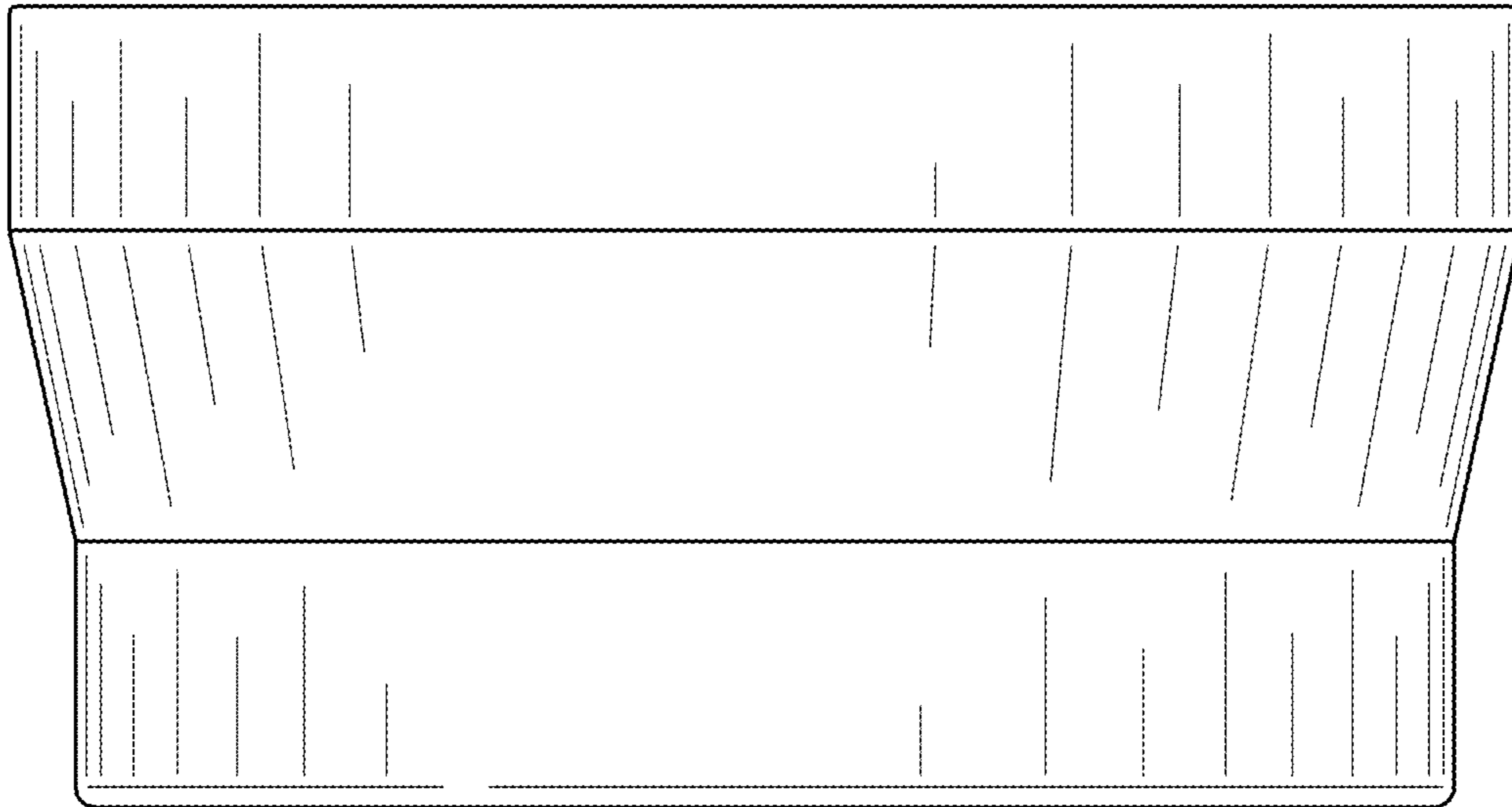


FIG. 5

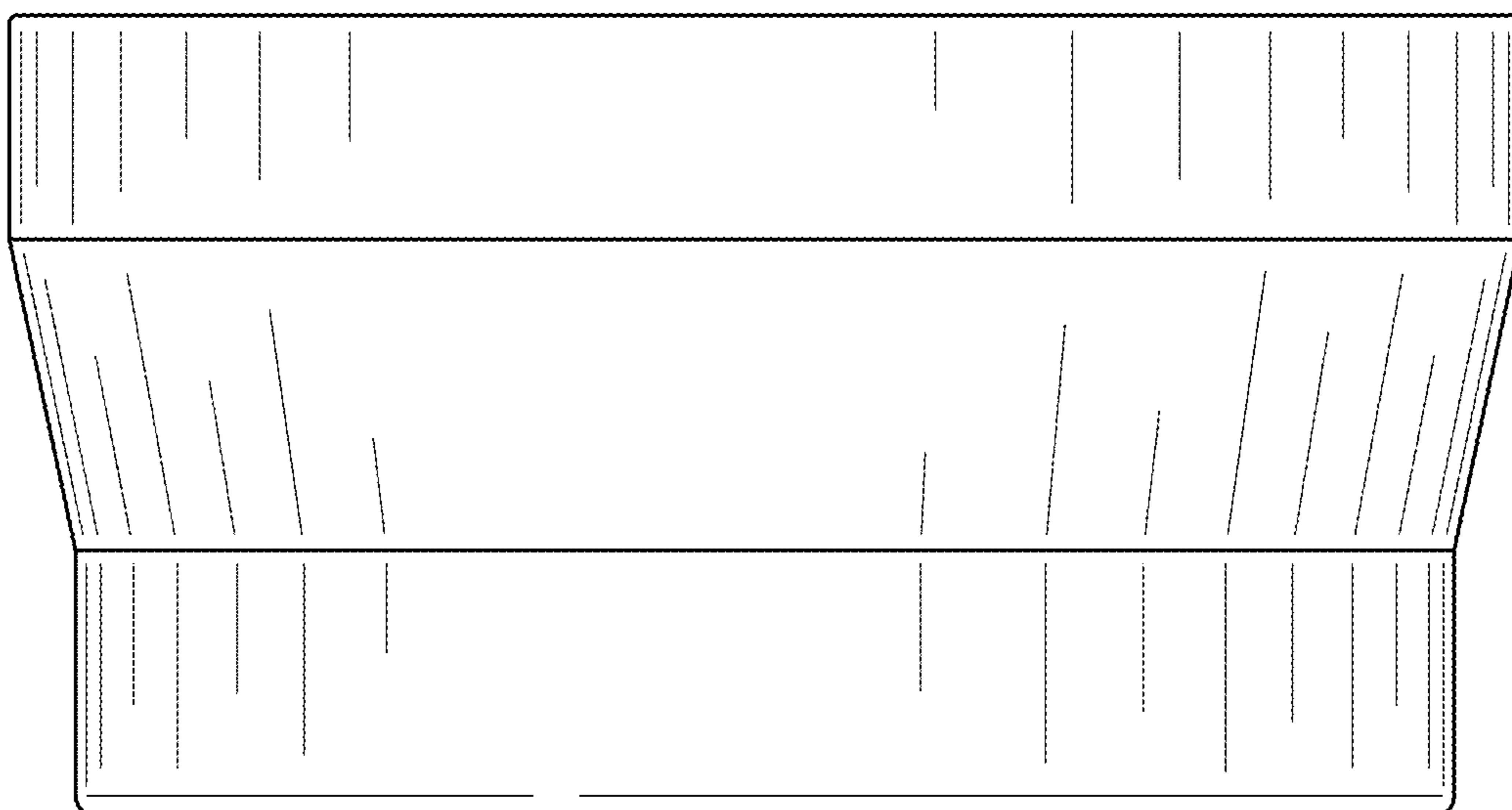


FIG. 6

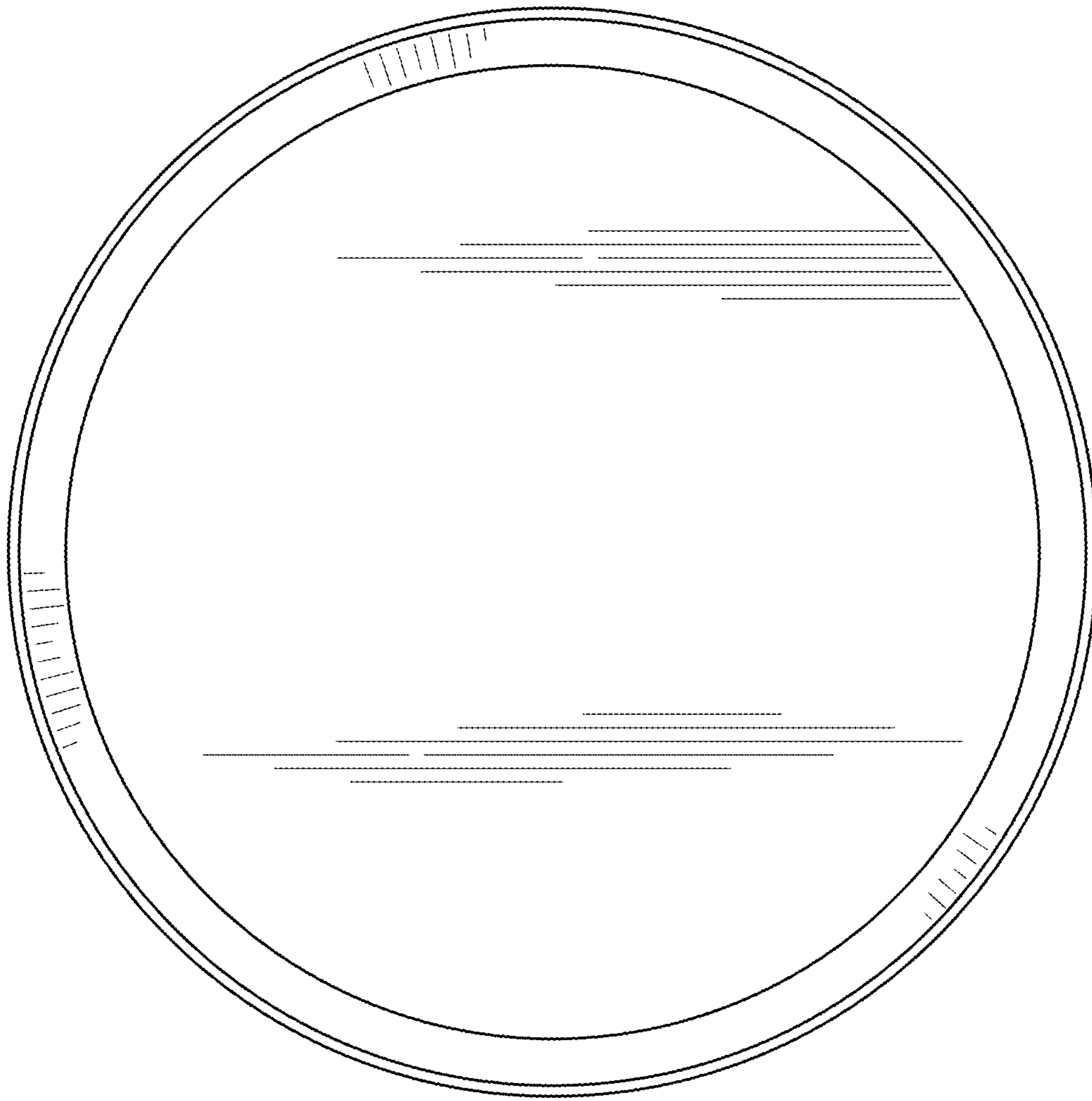


FIG. 7

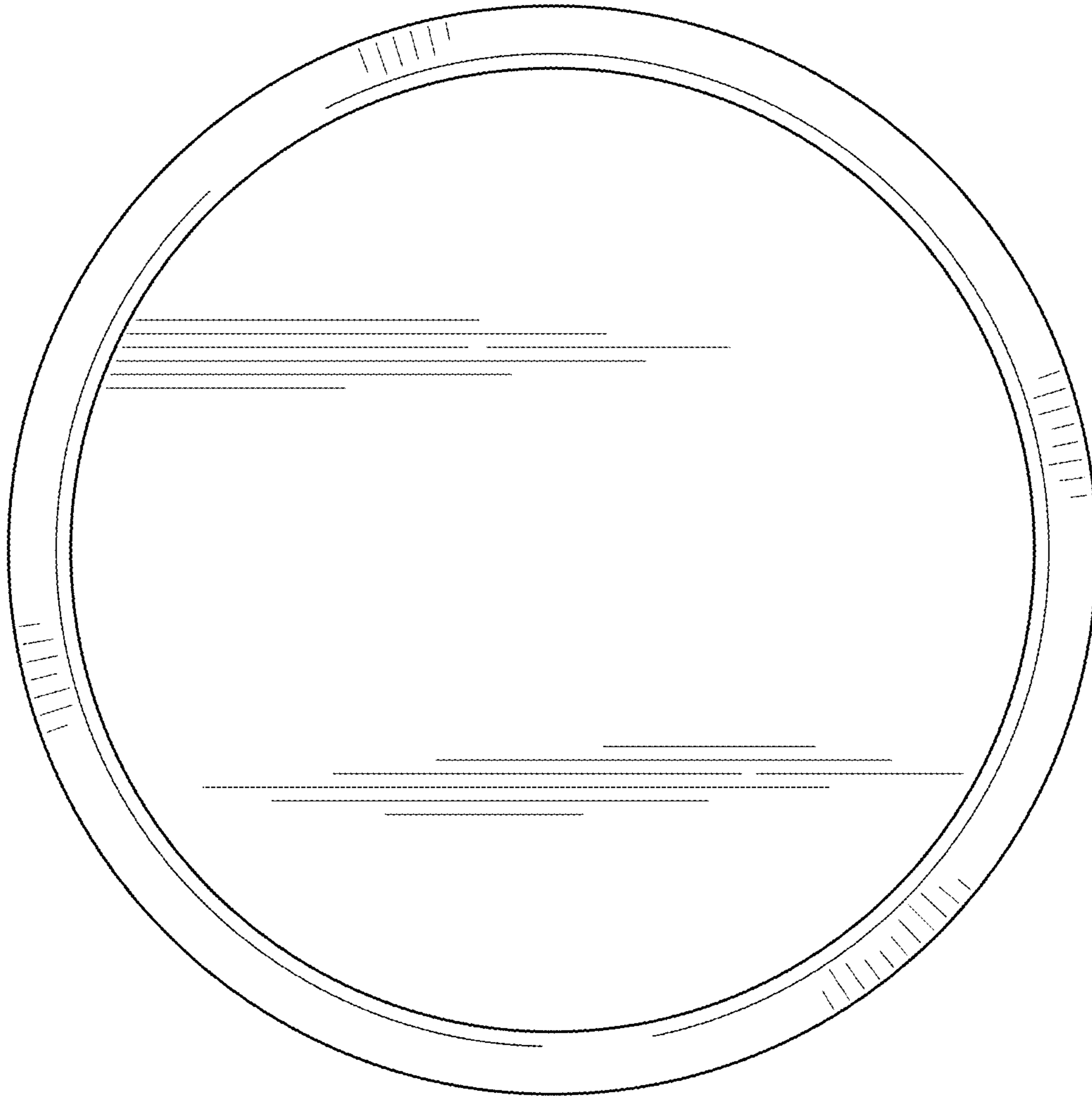


FIG. 8

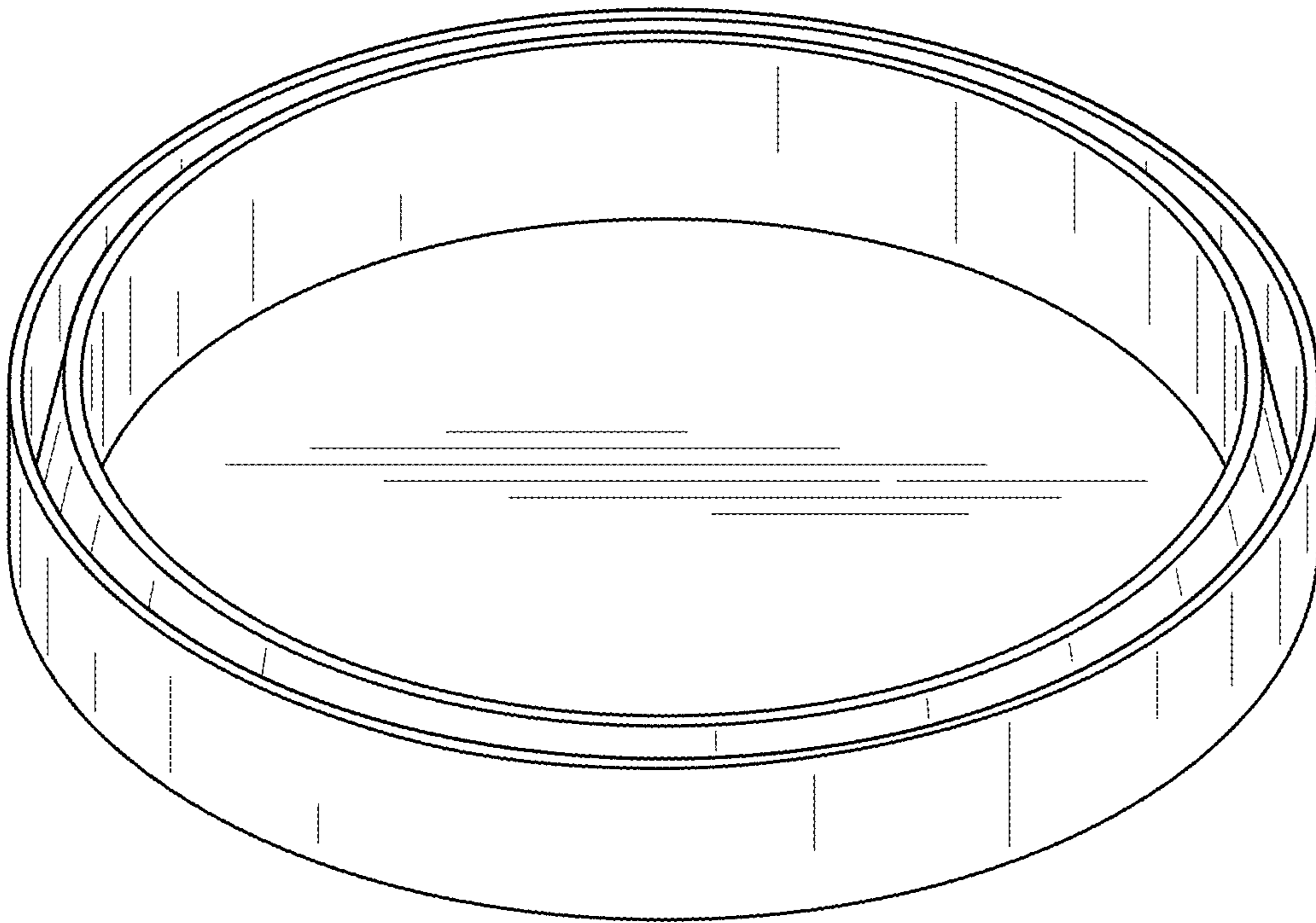


FIG. 9