



US00D895371S

(12) **United States Design Patent**
Brown et al.

(10) **Patent No.:** **US D895,371 S**
(45) **Date of Patent:** **** Sep. 8, 2020**

- (54) **SERVING TRAY**
- (71) Applicant: **Teak Isle Manufacturing, Inc.**, Ocoee, FL (US)
- (72) Inventors: **Patrick Brown**, Longwood, FL (US);
Sean Ciervo, Clermont, FL (US)
- (73) Assignee: **Teak Isle Manufacturing, Inc.**, Ocoee, FL (US)
- (**) Term: **15 Years**
- (21) Appl. No.: **29/690,443**
- (22) Filed: **May 8, 2019**
- (51) **LOC (12) Cl.** **07-01**
- (52) **U.S. Cl.**
USPC **D7/554.2**
- (58) **Field of Classification Search**
USPC D7/500, 505, 550.1, 553.1, 553.2, 553.6,
D7/554.2, 553-553.8
CPC A47G 19/00; A47G 19/02; A47G 19/06;
A47G 23/06; A47G 23/0608; A47G
23/0208
See application file for complete search history.

9,931,886	B2 *	4/2018	Borse	B44D 3/02
D822,107	S *	7/2018	Conrad	D19/103
10,105,986	B2 *	10/2018	Conrad	B44D 3/02
D848,795	S *	5/2019	Butler	D7/553.6
D880,245	S *	4/2020	Packard	D7/553.6
D880,964	S *	4/2020	Wang	D7/701
D881,273	S *	4/2020	Conrad	D19/103
D887,228	S *	6/2020	Kwiatkowski	D7/698
2014/0263365	A1 *	9/2014	Tollen	A47G 19/065 220/575

(Continued)

Primary Examiner — Kelley A Donnelly
(74) *Attorney, Agent, or Firm* — Seyfarth Shaw LLP

(57) **CLAIM**

The ornamental design for a serving tray, as shown and described.

DESCRIPTION

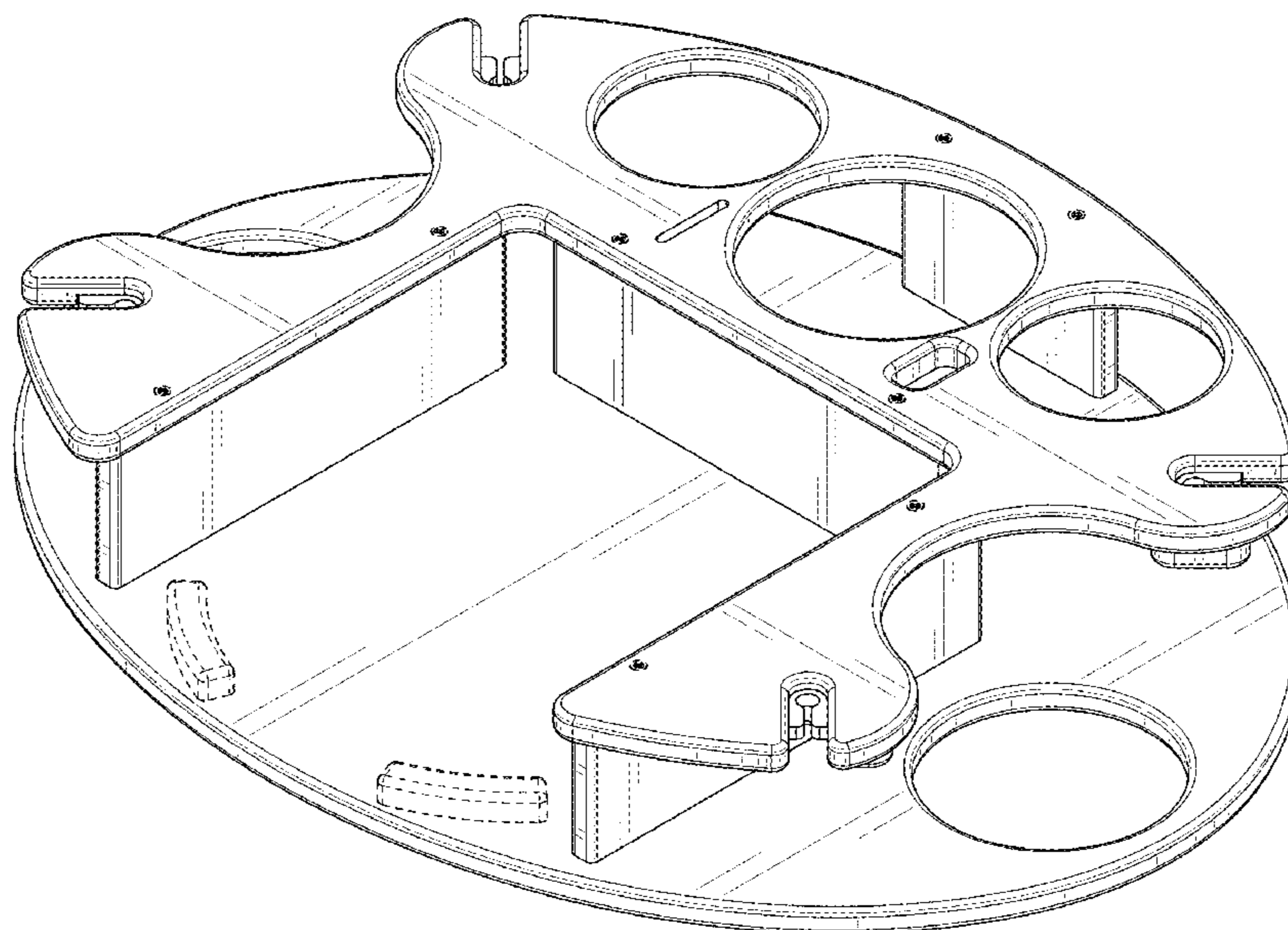
FIG. 1 is a perspective view of a serving tray, according to an embodiment of the invention;
 FIG. 2 is a front end view of the serving tray of FIG. 1;
 FIG. 3 is a rear end view of the serving tray of FIG. 1;
 FIG. 4 is a first side view of the serving tray of FIG. 1;
 FIG. 5 is a second side view of the serving tray of FIG. 1;
 FIG. 6 is a top view of the serving tray of FIG. 1;
 FIG. 7 is a bottom view of the serving tray of FIG. 1;
 FIG. 8 is a first rear perspective view of the serving tray of FIG. 1;
 FIG. 9 is a second rear perspective view of the serving tray of FIG. 1;
 FIG. 10 is a perspective view of the serving tray of FIG. 1 aligned with a top of a table; and,
 FIG. 11 is a perspective view of the serving tray of FIG. 1 disposed on the top of the table of FIG. 10.
 The broken lines showing are for the purposes of illustrating the environment of the article only and form no part of the claimed design.

1 Claim, 11 Drawing Sheets

(56) **References Cited**

U.S. PATENT DOCUMENTS

4,973,018	A *	11/1990	Agor	A47K 1/09 211/75
D383,568	S *	9/1997	Giedd	D19/103
D473,757	S *	4/2003	Schwartz	D7/553.1
D505,841	S *	6/2005	Fiedeler	D6/525
D542,094	S *	5/2007	McFaddin	D7/553.6
D679,056	S *	3/2013	Mazza	D28/73
D708,062	S *	7/2014	Musi Navarro	D7/702
D731,247	S *	6/2015	Kamei	D7/550.1
D766,665	S *	9/2016	Shames	D7/554.2
D776,485	S *	1/2017	Bradley	D7/550.1
D808,222	S *	1/2018	Shames	D7/554.2



(56)

References Cited

U.S. PATENT DOCUMENTS

2015/0230643 A1* 8/2015 Kamei A47G 23/0625
206/139

* cited by examiner

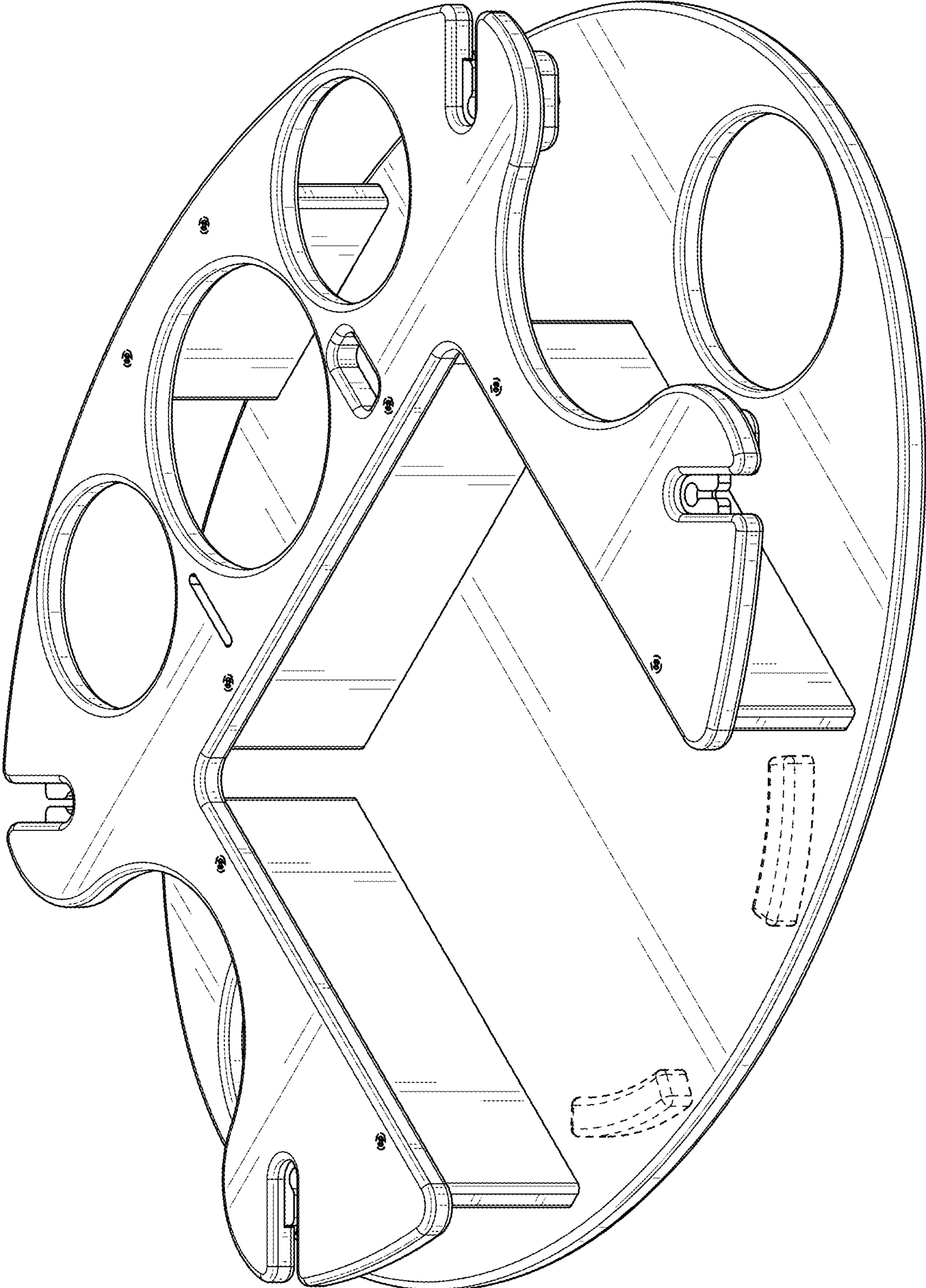


FIG. 1

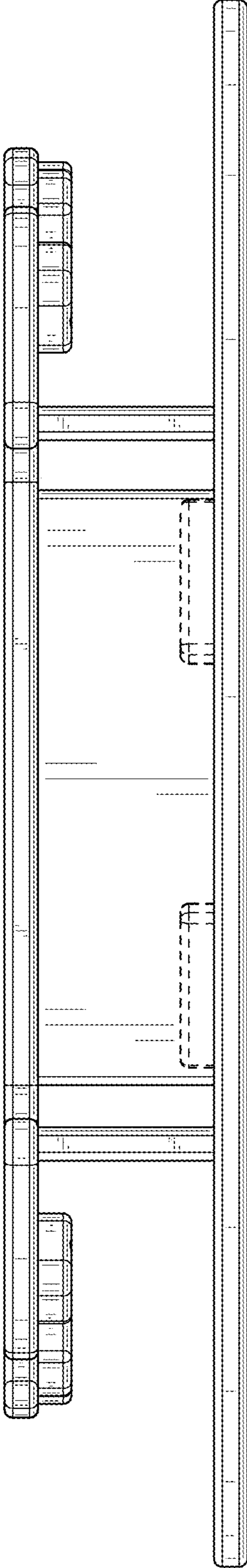


FIG. 2

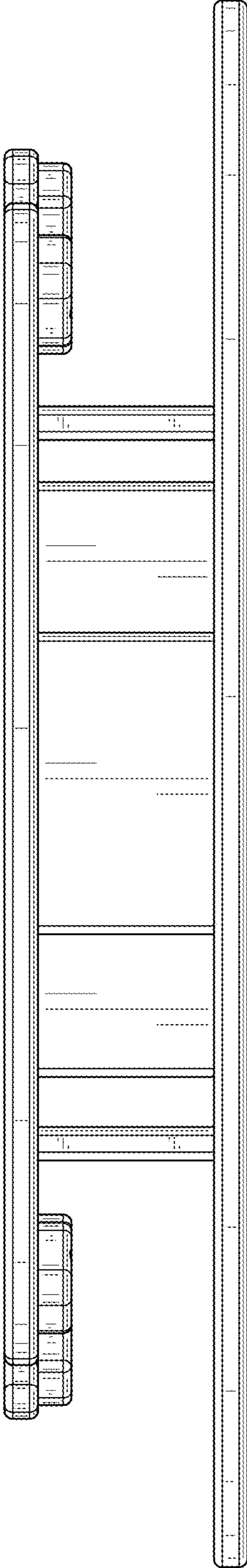


FIG. 3

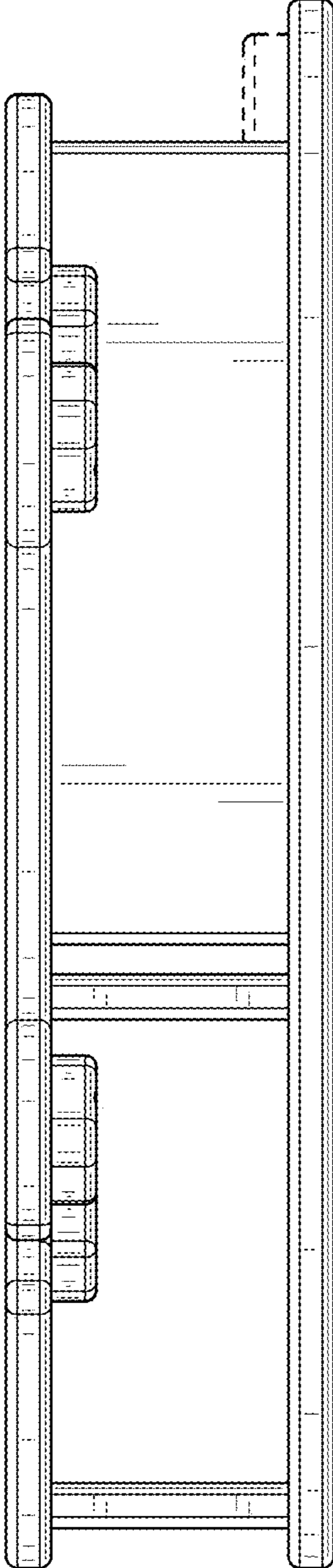


FIG. 4

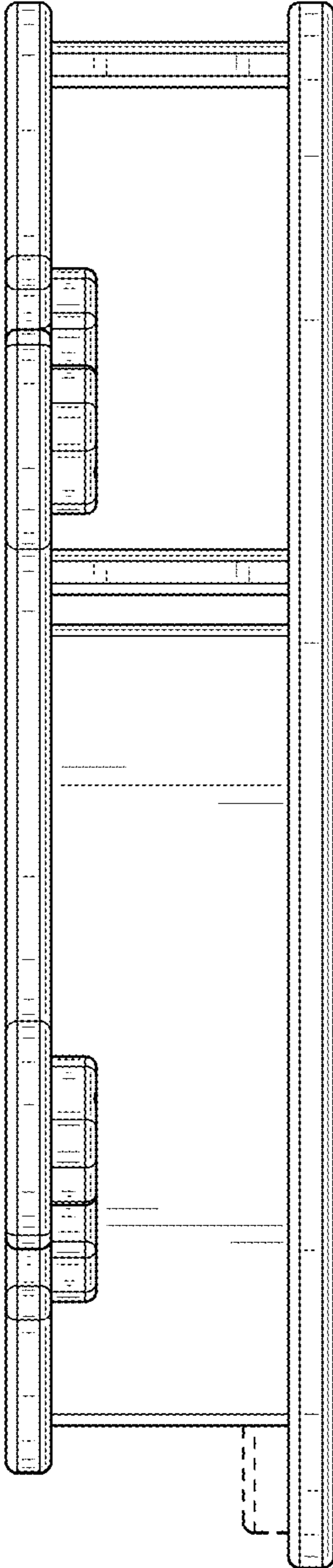


FIG. 5

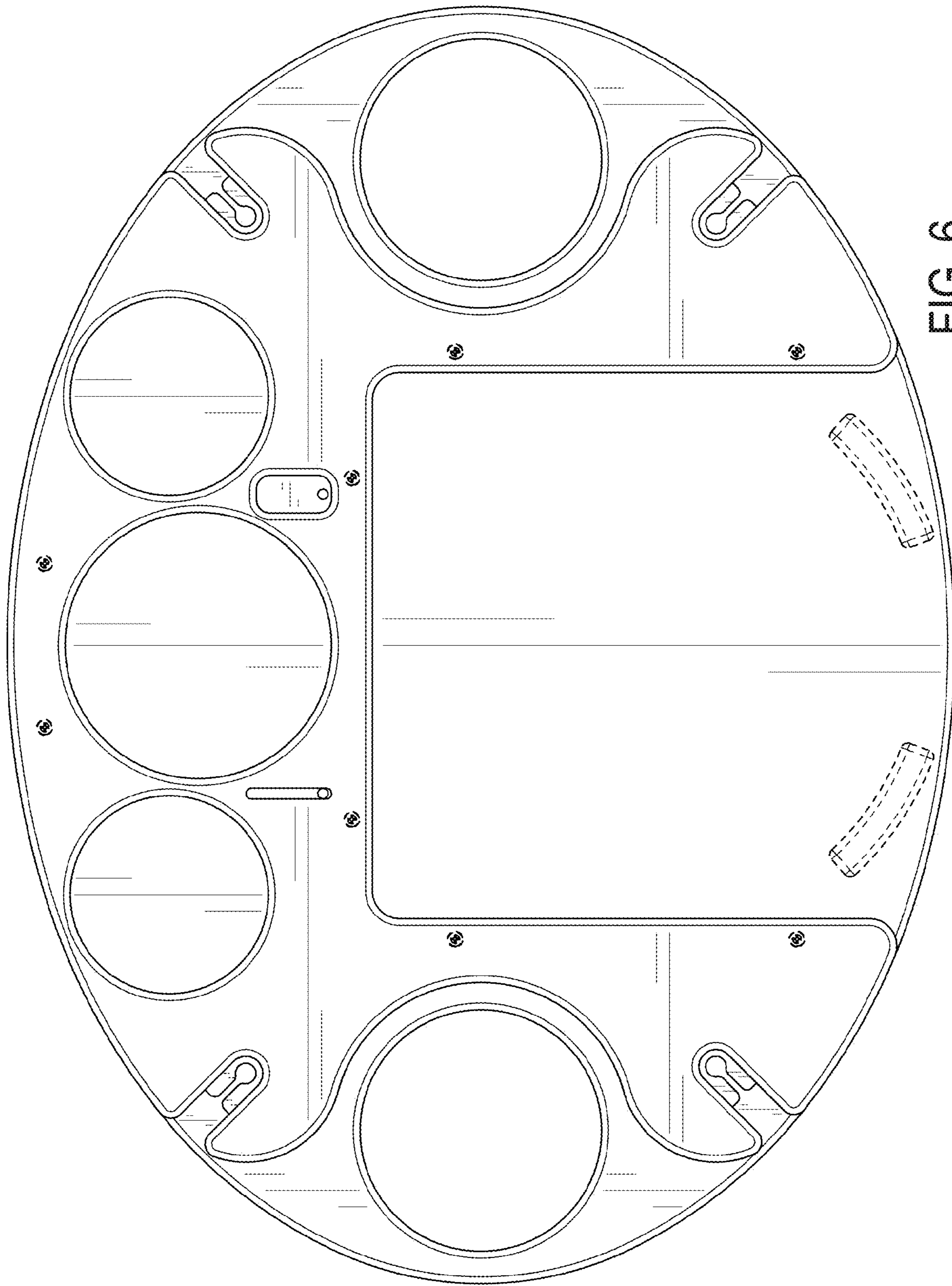


FIG. 6

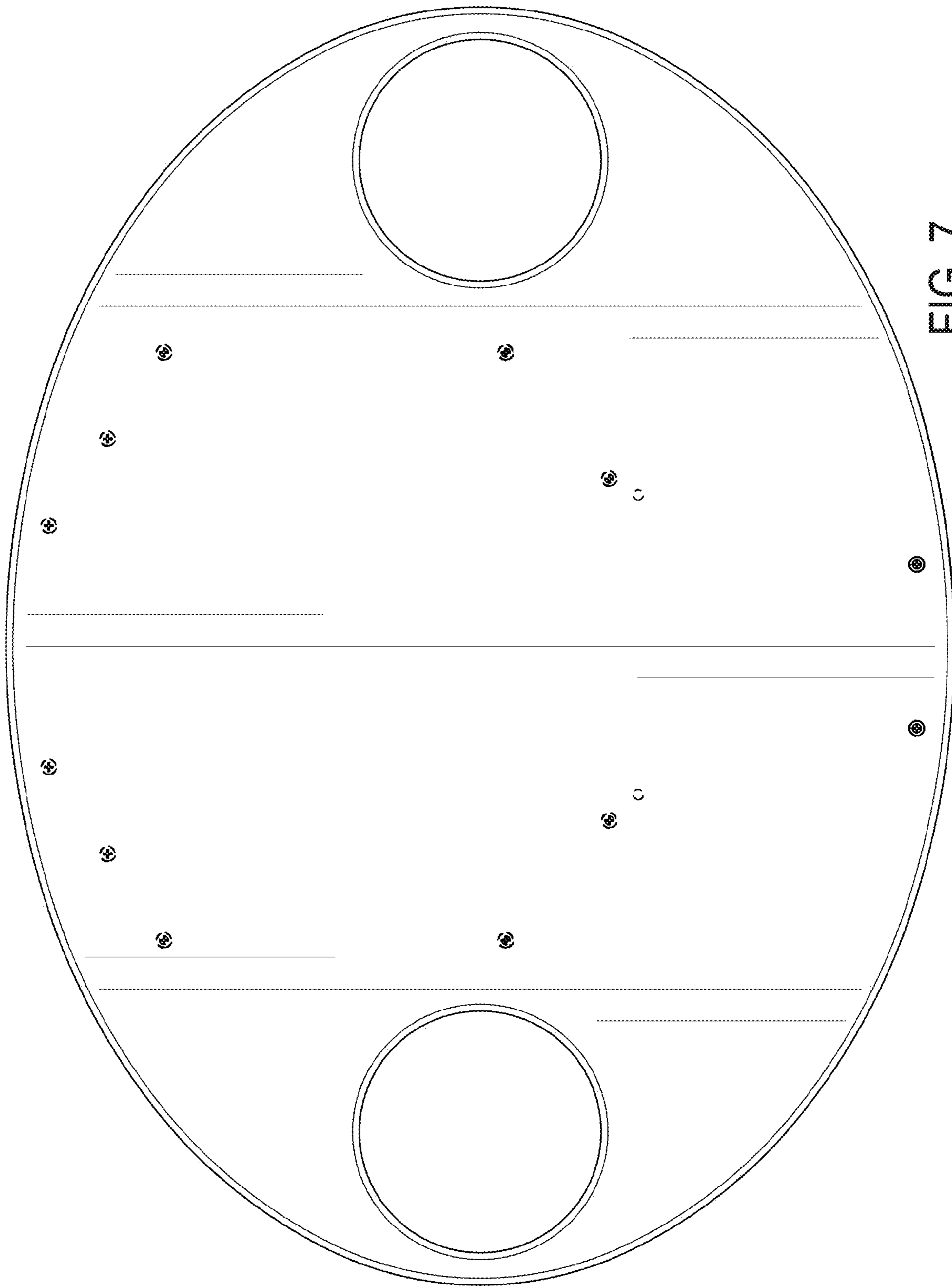


FIG. 7

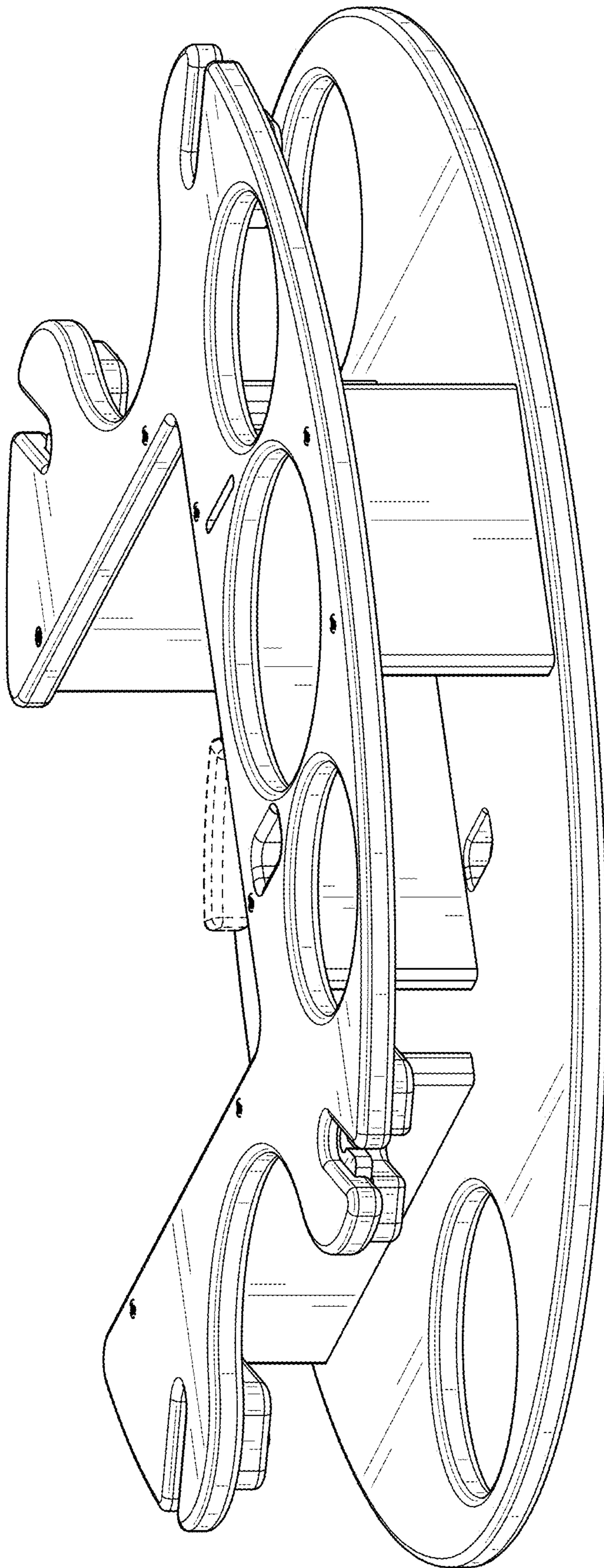


FIG. 8

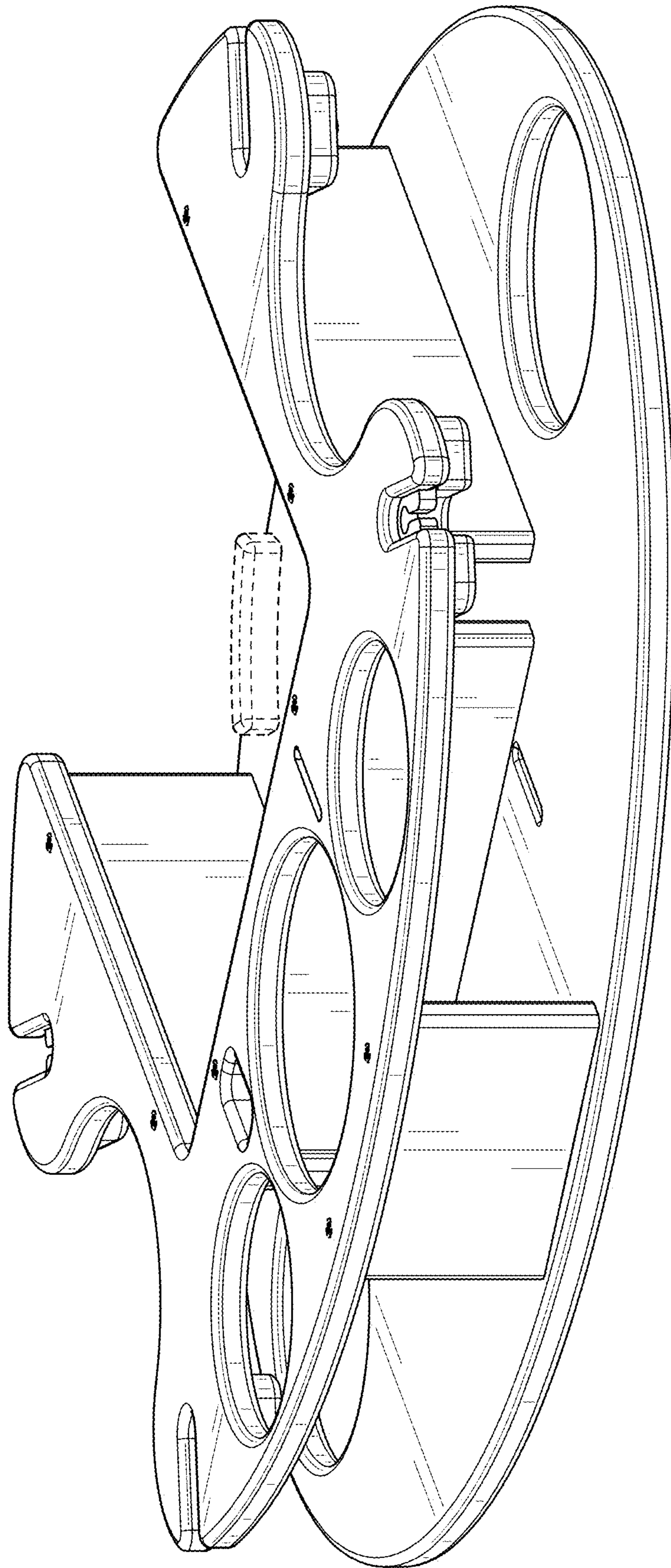


FIG. 9

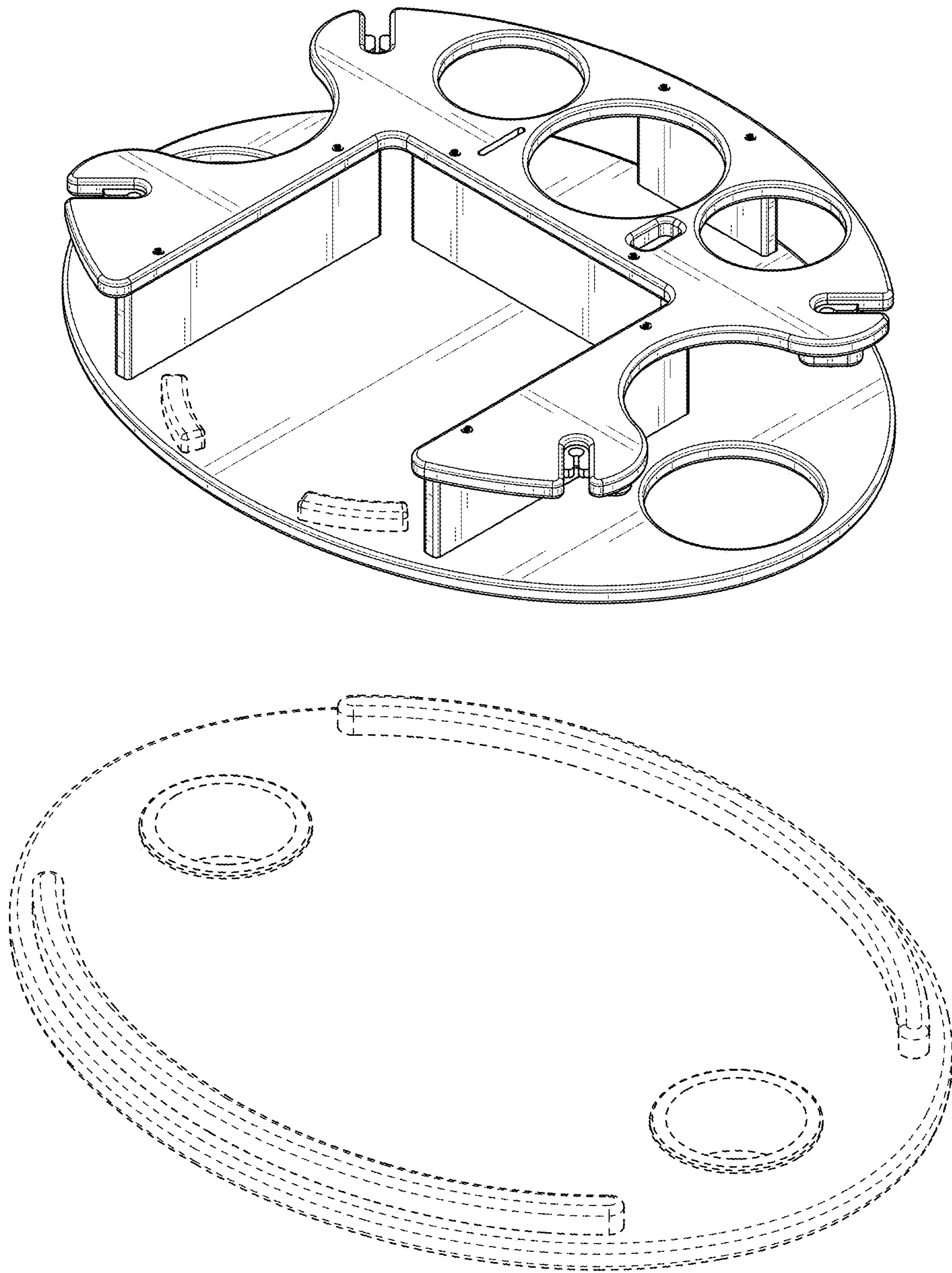


FIG. 10

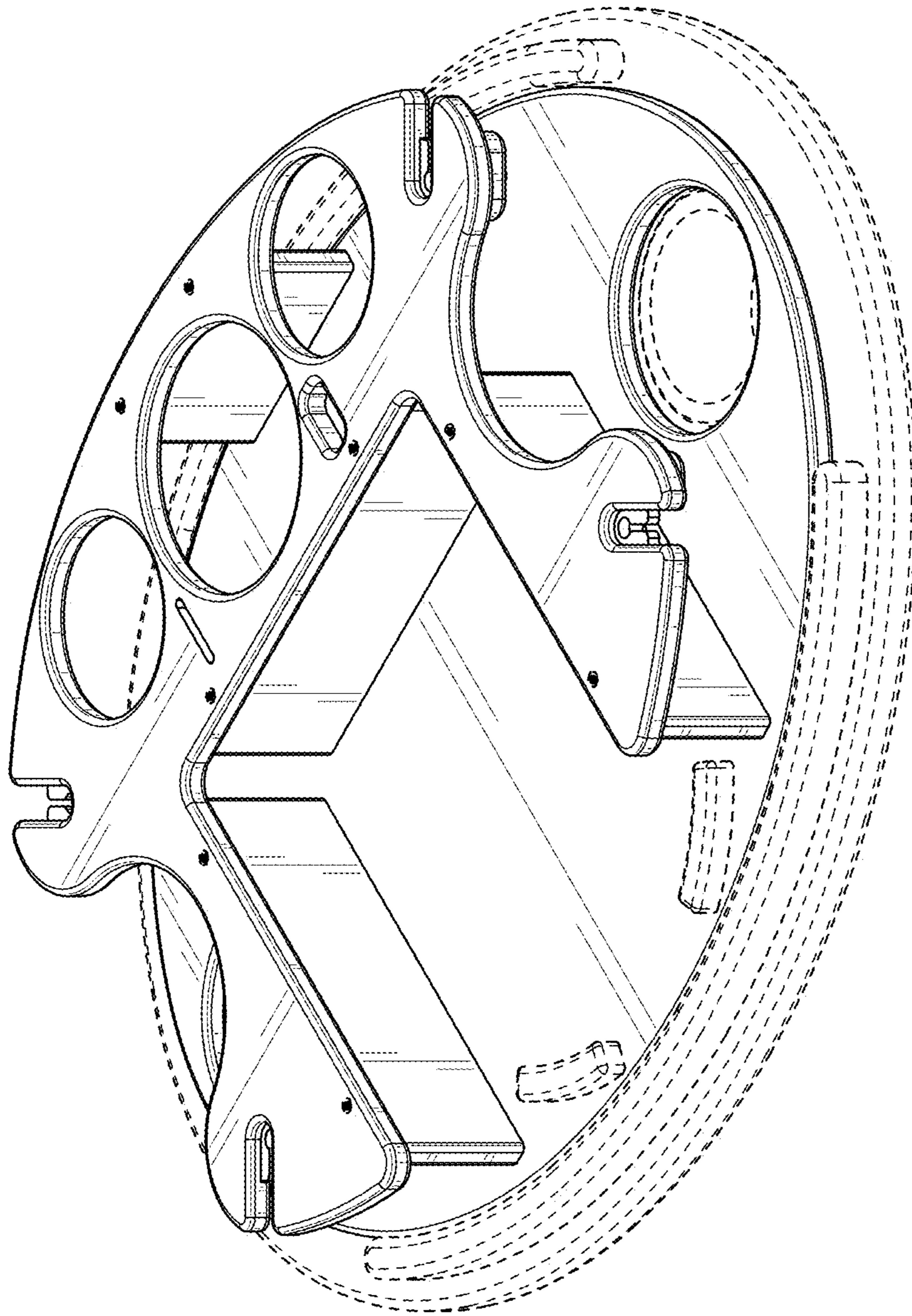


FIG. 11