



US00D895370S

(12) **United States Design Patent**  
**Hamilton**

(10) **Patent No.:** **US D895,370 S**

(45) **Date of Patent:** **\*\* Sep. 8, 2020**

- (54) **BEVERAGE CONTAINER**
- (71) Applicant: **MAGNOLIA INTELLECTUAL DESIGNS LLC**, Dallas, TX (US)
- (72) Inventor: **Mary Nicole Hamilton**, Heath, TX (US)
- (73) Assignee: **MAGNOLIA INTELLECTUAL DESIGNS, LLC**, Dallas, TX (US)
- (\*\*) Term: **15 Years**
- (21) Appl. No.: **29/690,579**
- (22) Filed: **May 9, 2019**
- (51) **LOC (12) Cl.** ..... **07-01**
- (52) **U.S. Cl.**  
USPC ..... **D7/536; D7/533**
- (58) **Field of Classification Search**  
USPC ..... D7/507, 509, 510, 511, 529, 531, 532, D7/523, 533, 534, 535, 536, 392.1, 296.1, D7/396.2, 300.1, 608; D3/202  
CPC ..... A47G 19/22; A47G 19/2288; A47G 19/2205; A47J 41/0077; A47J 41/0088  
See application file for complete search history.

- 7,194,951 B1 \* 3/2007 Porter ..... A47J 31/005 100/116
- D561,590 S \* 2/2008 Kingsley ..... D7/509
- D713,686 S \* 9/2014 Eyal ..... D7/509
- D808,722 S \* 1/2018 Hill ..... D7/510
- D872,537 S \* 1/2020 Guccione ..... D7/532

**OTHER PUBLICATIONS**

[https://www.amazon.com/Pevor-Heating-Stainless-Thermos-Insulation/dp/B0761P8Q39/ref=sr\\_1\\_116?dchild=1&keywords=driver+tumbler+with+handle&qid=1589909579&sr=8-116](https://www.amazon.com/Pevor-Heating-Stainless-Thermos-Insulation/dp/B0761P8Q39/ref=sr_1_116?dchild=1&keywords=driver+tumbler+with+handle&qid=1589909579&sr=8-116) Pevor (Year: 2017).\*

\* cited by examiner

*Primary Examiner* — Jae Liang  
(74) *Attorney, Agent, or Firm* — Smith IP Services, P.C.

(57) **CLAIM**

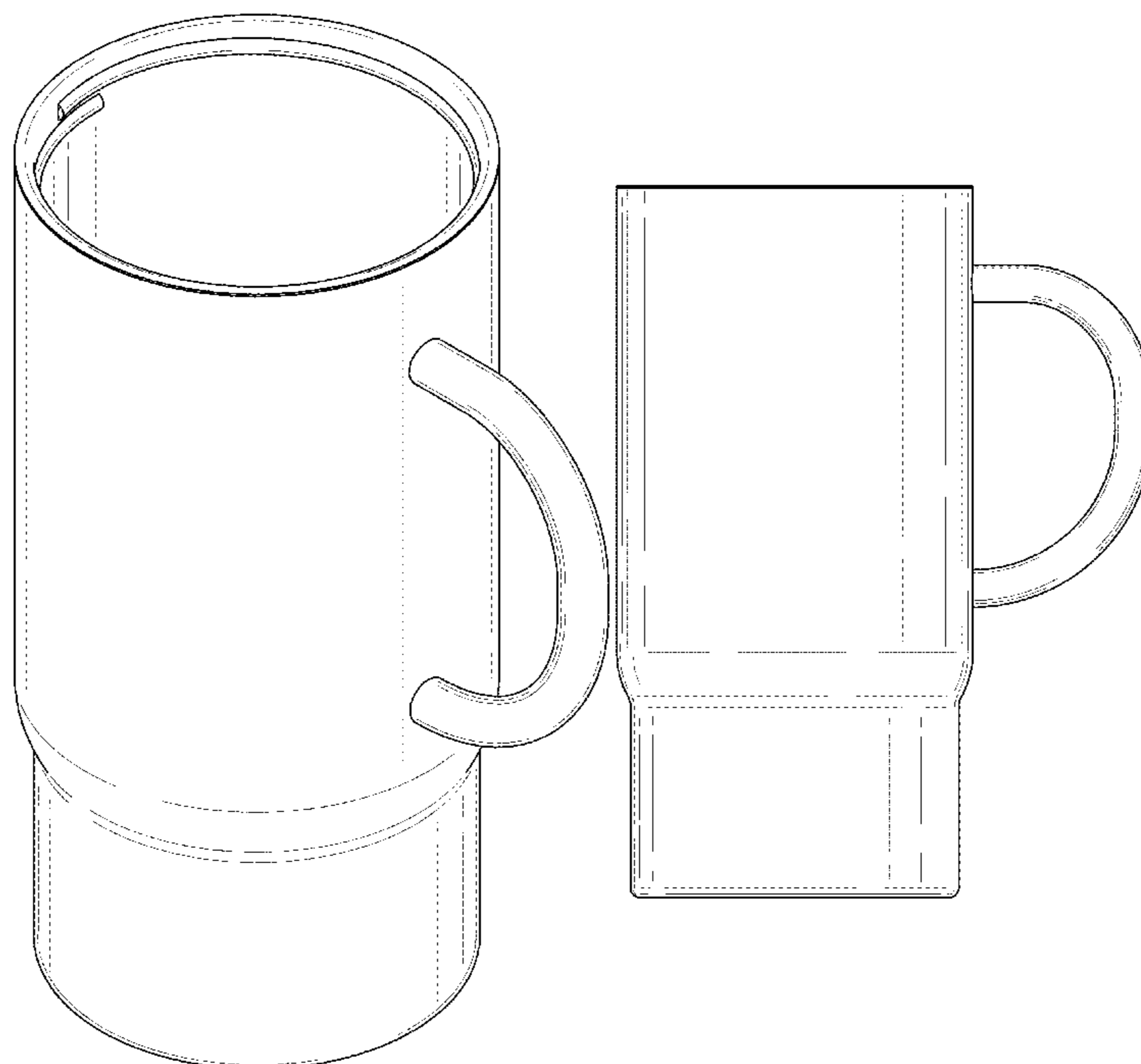
The ornamental design for a beverage container, as shown and described.

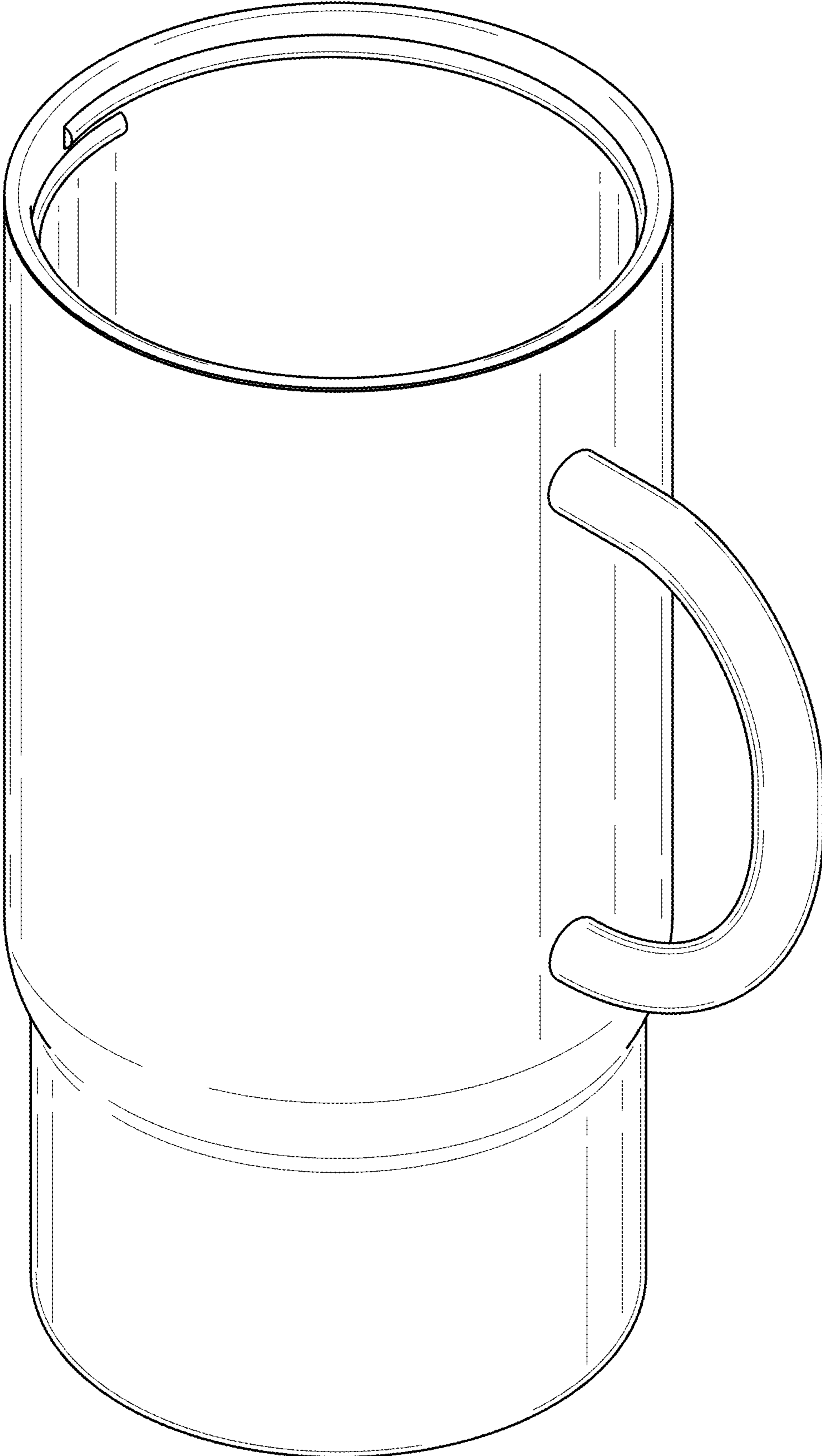
**DESCRIPTION**

FIG. 1 shows an enlarged top perspective view of a beverage container, with threading around the inner rim;  
FIG. 2 shows an enlarged bottom perspective view of the beverage container;  
FIG. 3 shows a front elevational view of the beverage container; all sides being identical;  
FIG. 4 shows a left side elevational view of the beverage container.  
FIG. 5 shows a bottom view of the beverage container.  
FIG. 6 shows a top view of the beverage container; and,  
FIG. 7 shows a bottom view of the beverage container, in which a vacuum seal is visible.

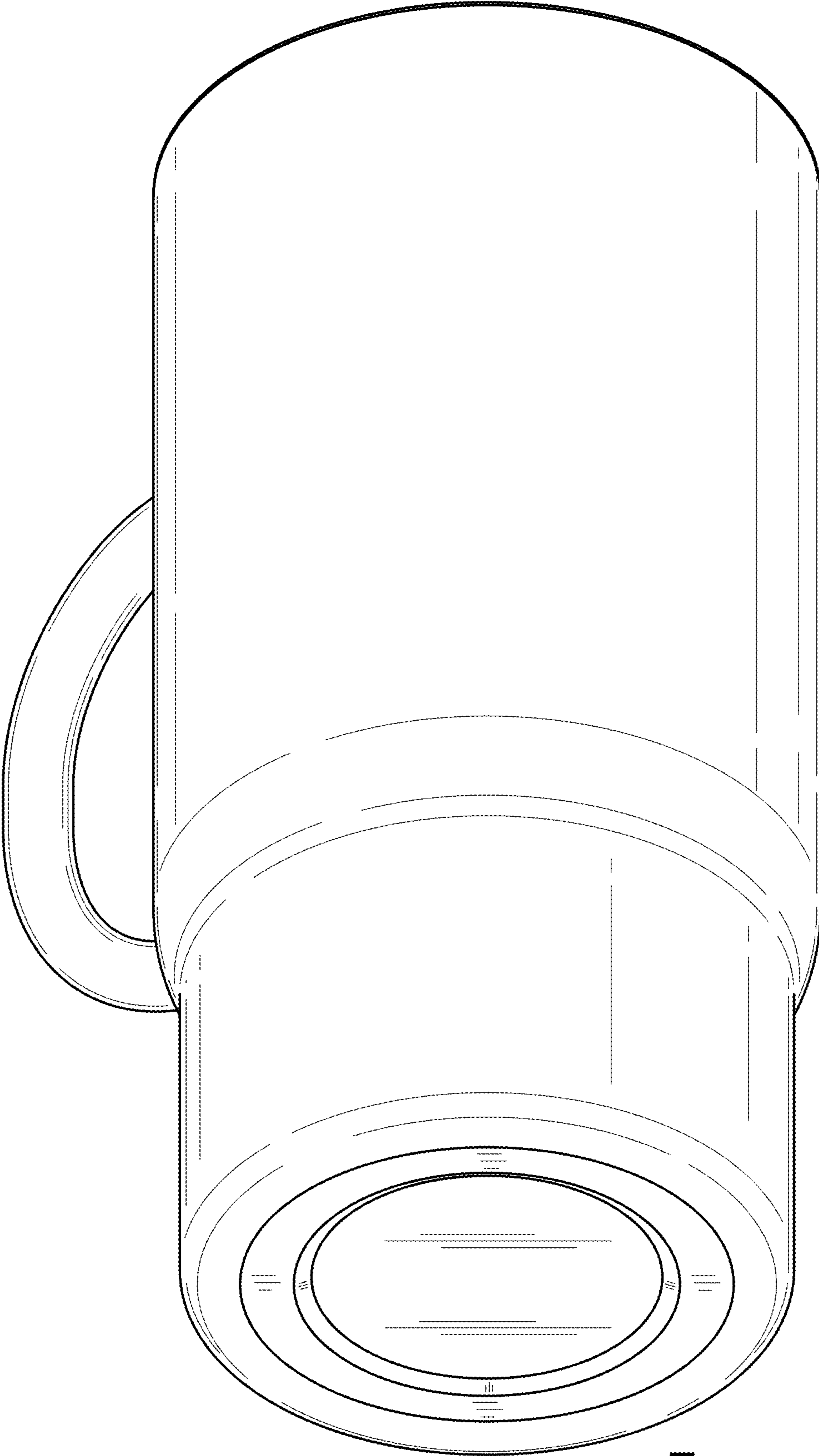
**1 Claim, 5 Drawing Sheets**

- (56) **References Cited**  
U.S. PATENT DOCUMENTS  
4,974,741 A \* 12/1990 Gustafson ..... B65D 81/3886 206/486  
5,531,353 A \* 7/1996 Ward ..... A47G 19/2227 220/23.86  
D379,738 S \* 6/1997 Liming ..... D7/510  
D382,173 S \* 8/1997 Cogswell ..... D10/2  
D417,365 S \* 12/1999 Huang ..... D7/511  
D513,916 S \* 1/2006 Namee ..... D7/300.1

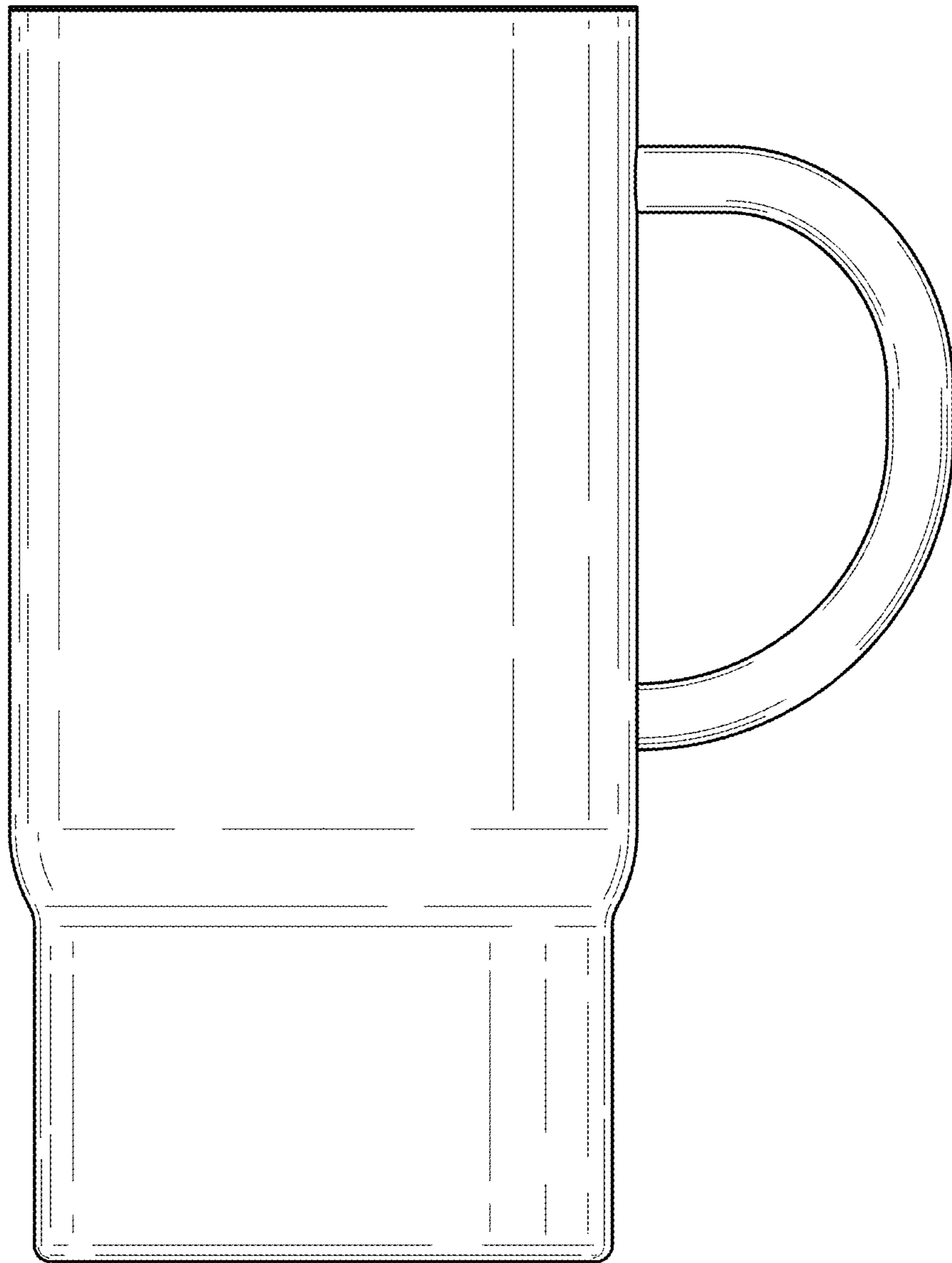




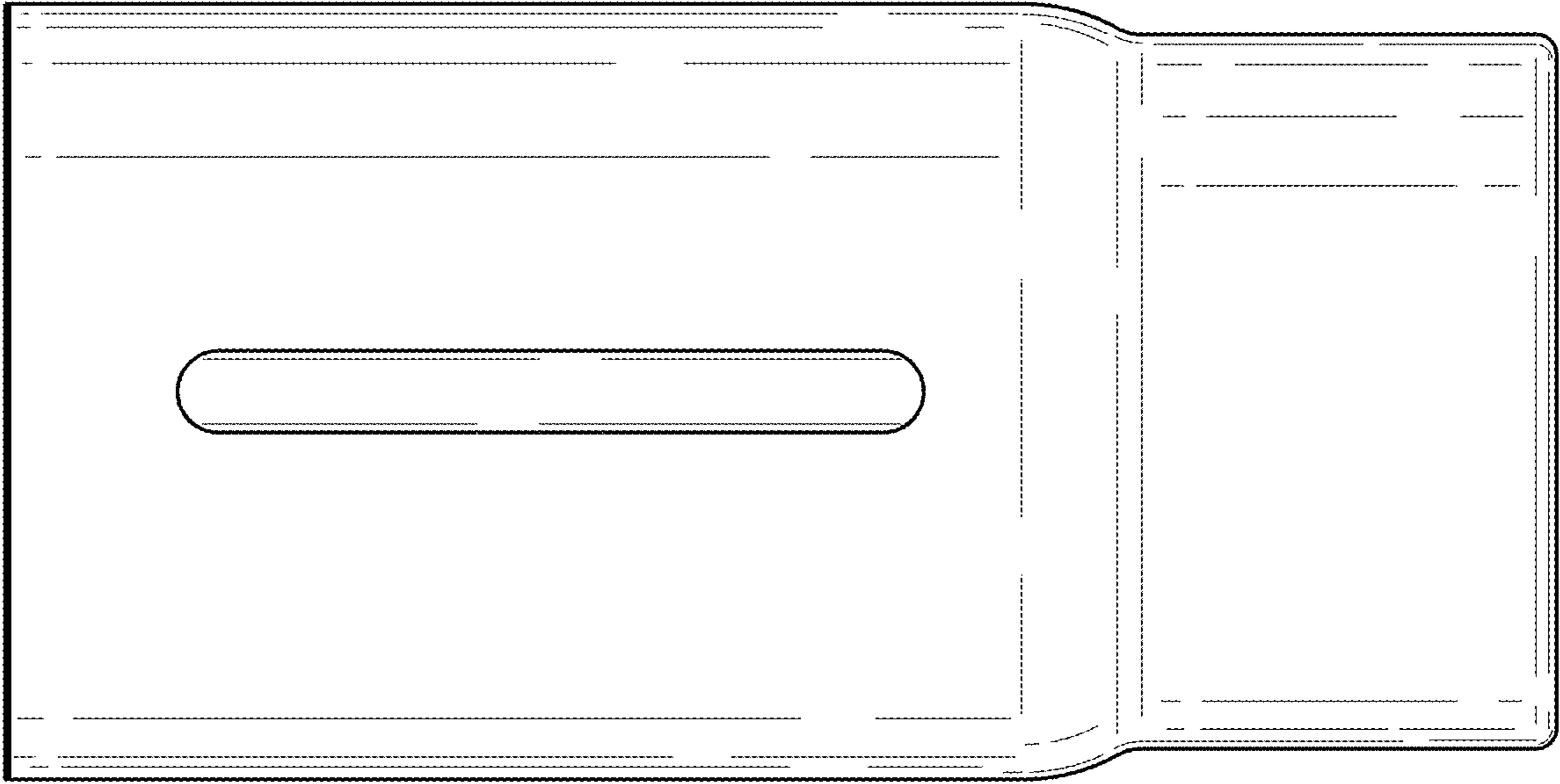
**FIG.1**



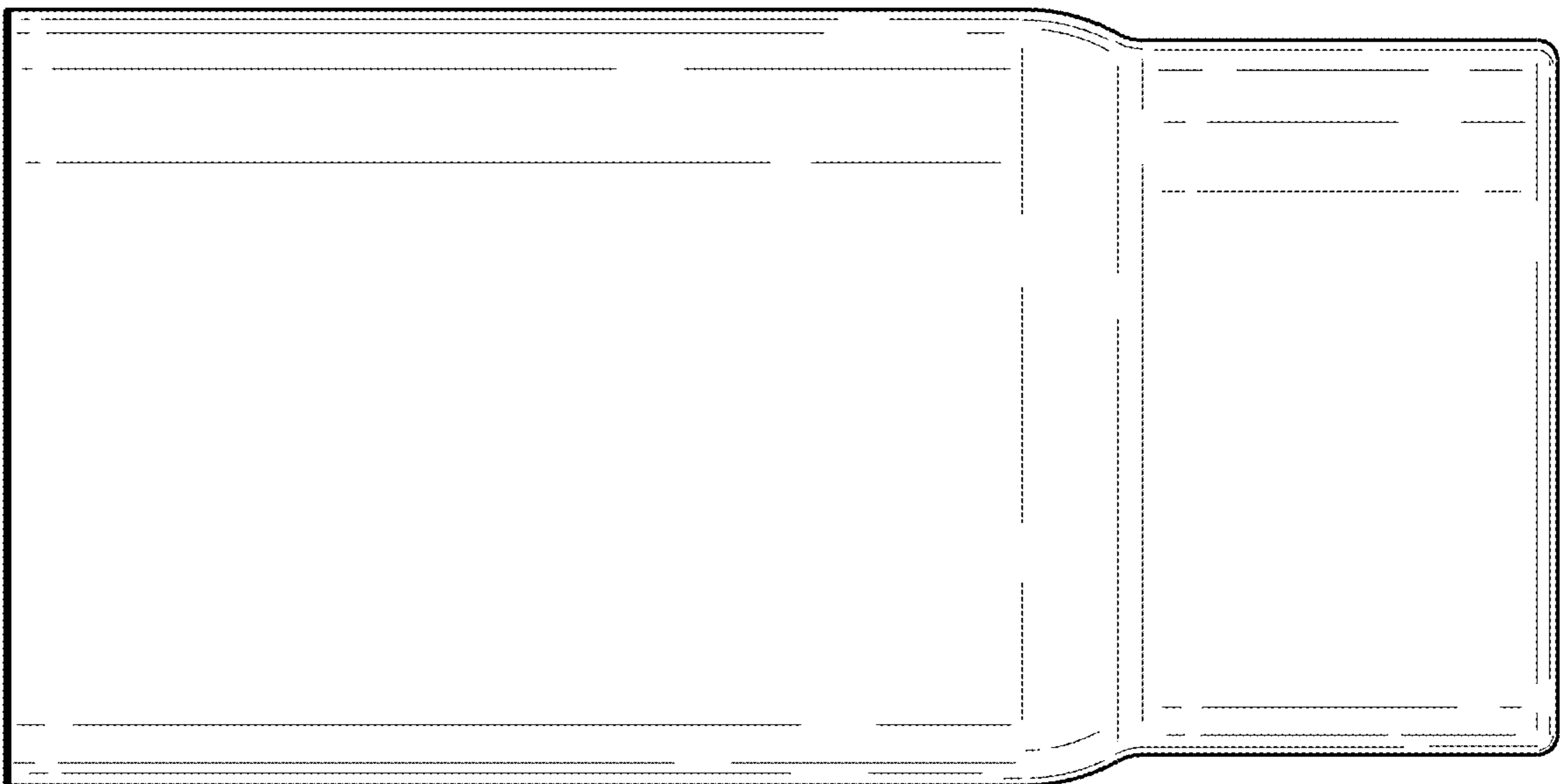
**FIG.2**



**FIG.3**

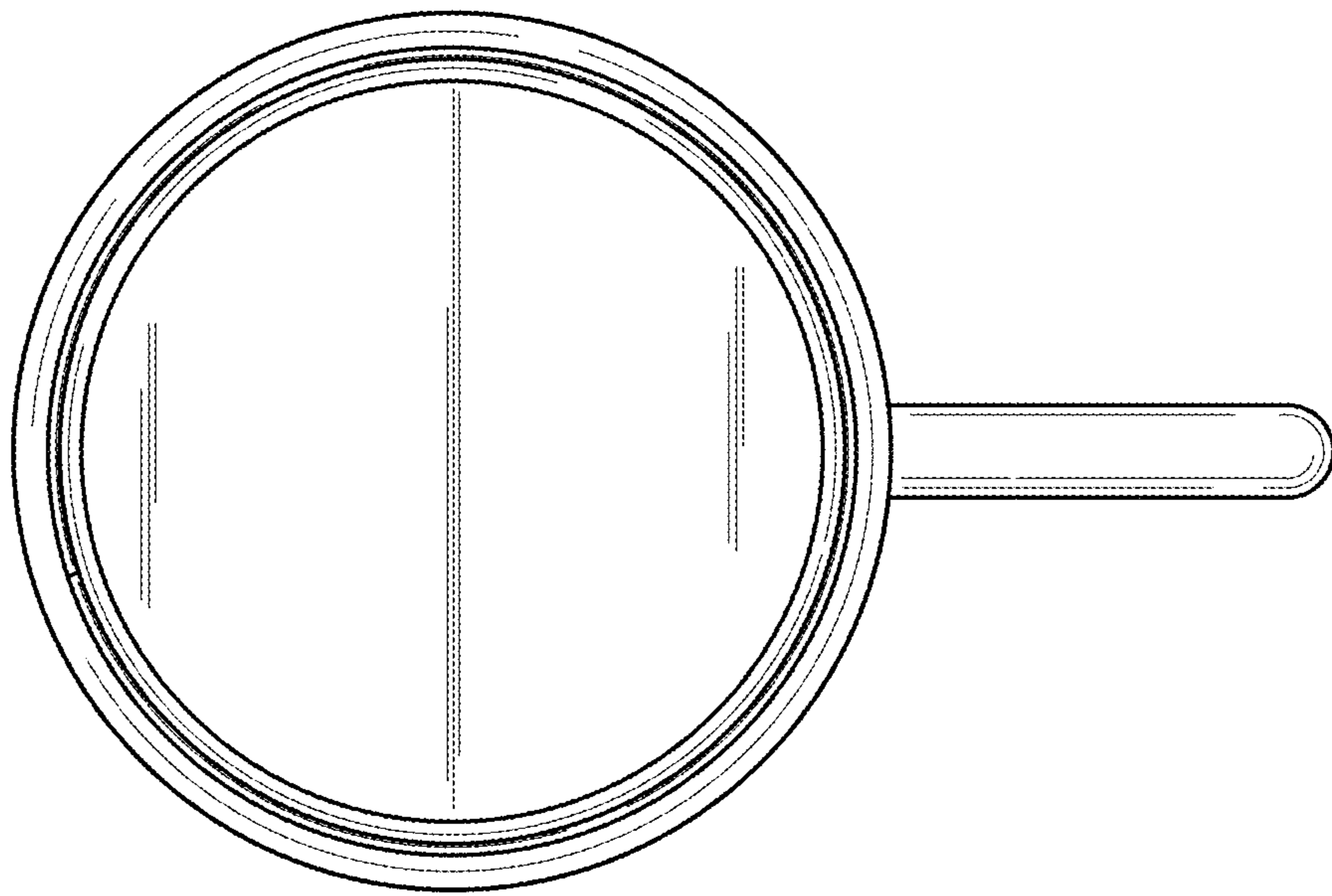


**FIG. 5**

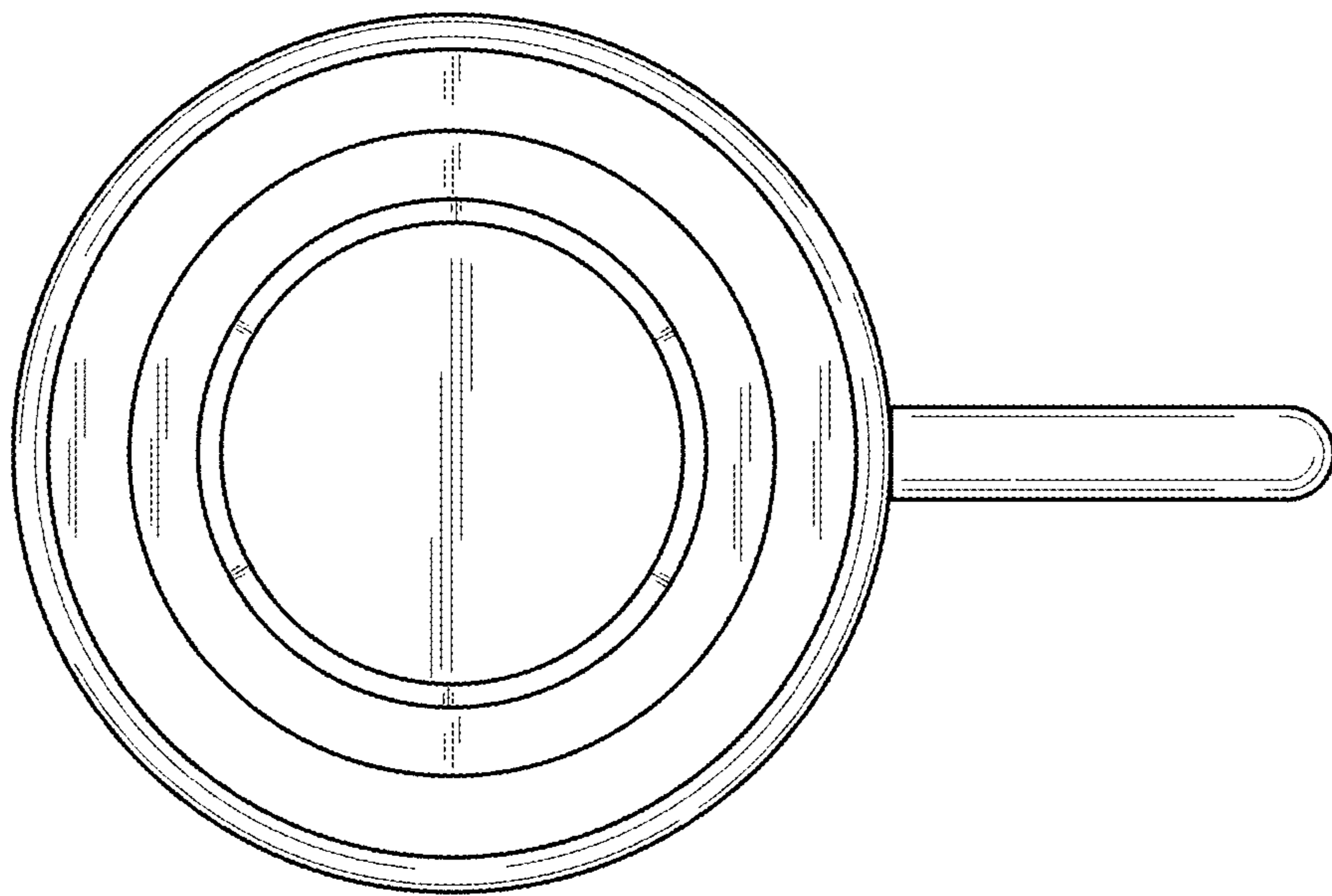


**FIG. 4**





**FIG. 6**



**FIG. 7**

UNITED STATES PATENT AND TRADEMARK OFFICE  
**CERTIFICATE OF CORRECTION**

PATENT NO. : D895,370 S  
APPLICATION NO. : 29/690579  
DATED : September 8, 2020  
INVENTOR(S) : Mary Nicole Hamilton

Page 1 of 1

It is certified that error appears in the above-identified patent and that said Letters Patent is hereby corrected as shown below:

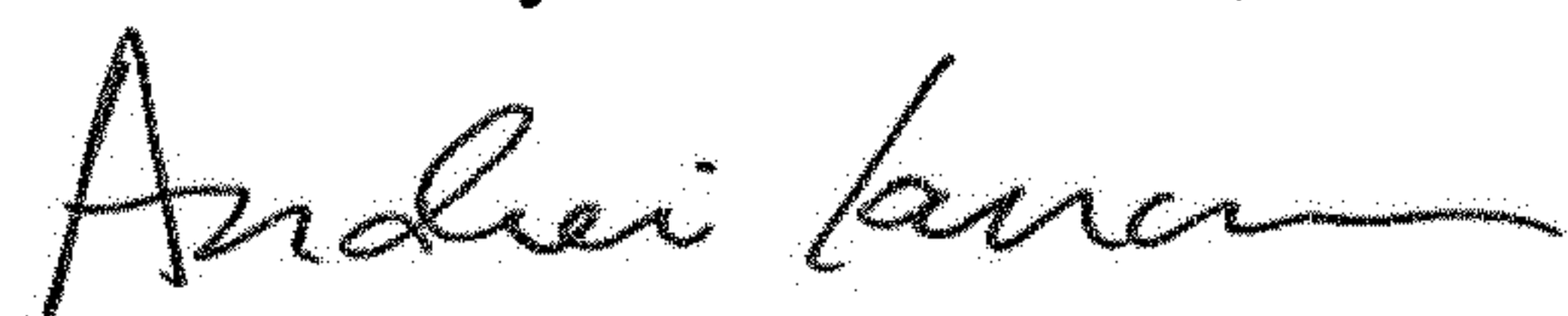
On the Title Page

Item (73), delete “DESGINS” and insert in place thereof --DESIGNS--.

Description section, in the description of FIG. 3, delete “; all sides being identical;” and insert in place thereof --.--.

Description section, in the description of FIG. 5, delete “bottom” and insert in place thereof --right side elevational--.

Signed and Sealed this  
Tenth Day of November, 2020



Andrei Iancu  
*Director of the United States Patent and Trademark Office*