

US00D895364S

(12) **United States Design Patent** (10) **Patent No.:** **US D895,364 S**
Wolfgram (45) **Date of Patent:** **** Sep. 8, 2020**

(54) **ARROW DEVICE**

(71) Applicant: **BenShot, LLC**, Hortonville, WI (US)

(72) Inventor: **Ben Wolfgram**, Appleton, WI (US)

(73) Assignee: **BENSHOT, LLC**, Hortonville, WI (US)

(**) Term: **15 Years**

(21) Appl. No.: **29/700,827**

(22) Filed: **Aug. 6, 2019**

(51) **LOC (12) Cl.** **07-01**

(52) **U.S. Cl.**
USPC **D7/515**; D7/396.2; D9/680; D22/115;
D22/107

(58) **Field of Classification Search**

USPC D7/559, 504, 551.3, 556, 563, 564, 569,
D7/578, 533, 536, 515, 514, 517, 520,
D7/516, 519, 300.1, 301, 396.2, 396.4,
D7/505; D9/659, 614, 616, 544, 680;
D22/115, 107

CPC . A47G 23/0241; A47G 19/2205; A47J 43/04;
F42B 6/04

See application file for complete search history.

(56) **References Cited**

U.S. PATENT DOCUMENTS

D149,996 S *	6/1948	Bachinsky et al.	D9/629
D207,408 S *	4/1967	Levin	D7/515
D260,623 S *	9/1981	Gorski	D11/157
D297,824 S *	9/1988	Schiraldi	D11/157
D349,626 S *	8/1994	Rigsby	D7/514
D352,639 S *	11/1994	Rigsby	D7/514
D355,567 S *	2/1995	Rigsby	D6/515
D610,035 S *	2/2010	Washburn	D11/157
D627,185 S *	11/2010	Burroughs	D7/300
D630,037 S *	1/2011	Kauer	D7/300.1
D658,542 S *	5/2012	Eccles	D11/184
D659,538 S *	5/2012	Lecetre	D9/500
D663,004 S *	7/2012	Isringhausen	D22/107

D676,331 S *	2/2013	Hartford	D9/544
D685,218 S *	7/2013	Willat	D7/316
D740,608 S *	10/2015	Apel	D7/515
9,423,504 B1 *	8/2016	Gossett	F42B 12/385
D828,175 S *	9/2018	Furneaux	D9/544
D847,937 S *	5/2019	Isringhausen	D22/115
D850,210 S *	6/2019	Wolfgram	D7/515
D857,450 S *	8/2019	Wolfgram	D7/396.2
D859,082 S *	9/2019	Wolfgram	D7/515

(Continued)

OTHER PUBLICATIONS

BenShot LLC, BenShot Facebook page, accessed Oct. 15, 2019,
<https://www.facebook.com/benshotUSA/>.

(Continued)

Primary Examiner — Marianne N Pandozzi

(57) **CLAIM**

The ornamental design for an arrow device, as shown and described.

DESCRIPTION

FIG. 1 is a perspective view of an arrow device showing my new design;

FIG. 2 is a front elevation view thereof;

FIG. 3 is a left side view thereof, the right side view is a mirror image thereof;

FIG. 4 is a top plan view thereof;

FIG. 5 is a bottom plan view thereof;

FIG. 6 is a perspective view of an arrow device showing a second embodiment of my new design;

FIG. 7 is a front elevation view thereof;

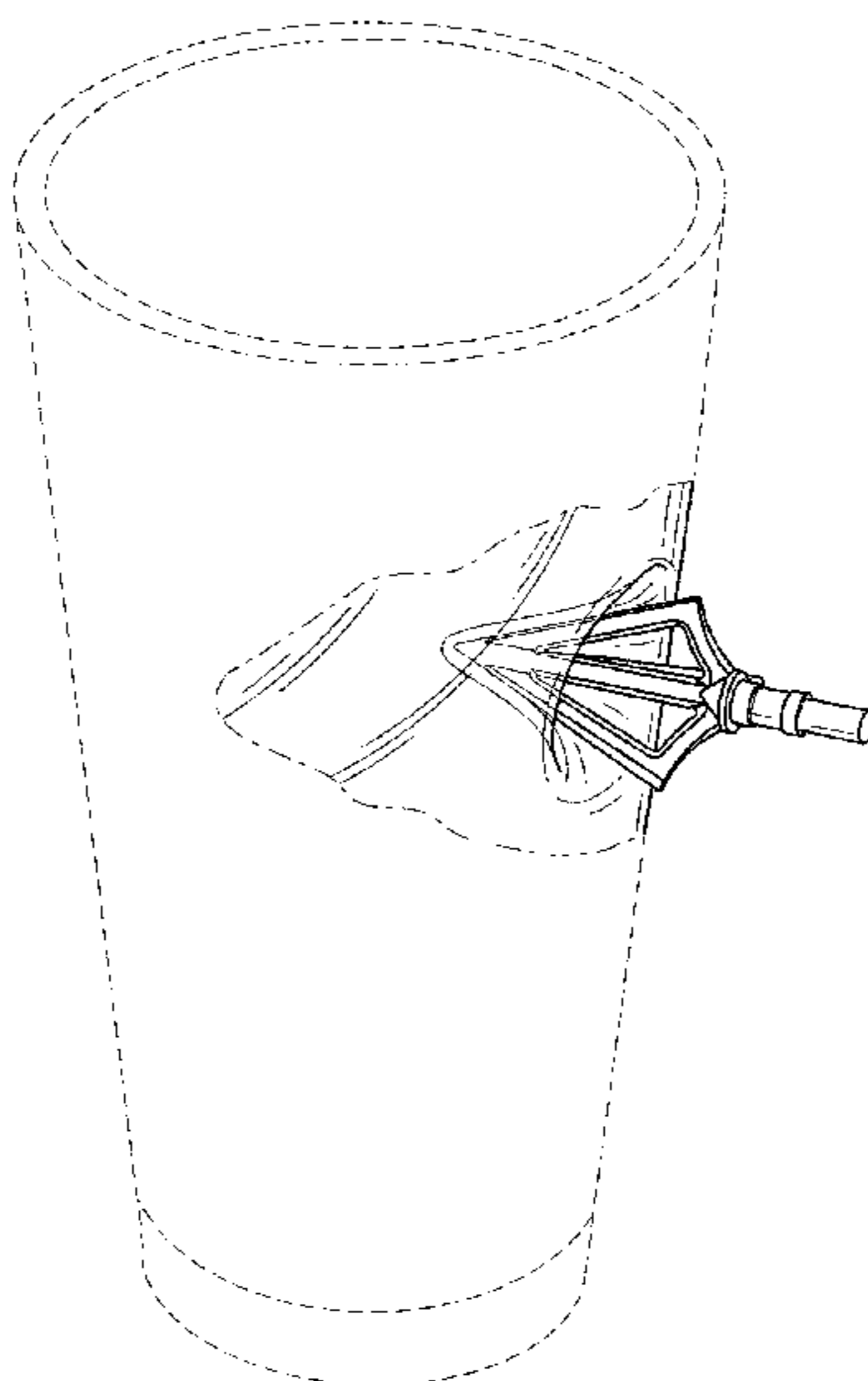
FIG. 8 is a left side view thereof, the right side view is a mirror image thereof;

FIG. 9 is a top plan view thereof; and,

FIG. 10 is a bottom plan view thereof.

The broken lines in the drawing depict environmental subject matter only and form no part of the claimed design.

1 Claim, 6 Drawing Sheets



(56)

References Cited

U.S. PATENT DOCUMENTS

D871,145 S * 12/2019 Hebert D7/515
D883,031 S * 5/2020 Wolfgram D7/515
2009/0233742 A1* 9/2009 Sanford F42B 6/08
473/584
2017/0097214 A1* 4/2017 Brown F42B 6/04
2018/0055263 A1* 3/2018 Wu A47J 43/04
2020/0018578 A1* 1/2020 D'Acquisto F42B 6/04
2020/0215552 A1* 7/2020 Lagace B04B 1/20

OTHER PUBLICATIONS

BenShot LLC, BenShot website broadhead glasses, accessed Oct. 15, 2019, <https://benshot.com/collections/broadhead-glasses>.
BenShot, LLC, Instagram webpage post, accessed Oct. 15, 2019, <https://www.instagram.com/p/BumegwkByxC/>.
BenShot, LLC, Instagram webpage post, accessed Oct. 15, 2019, <https://www.instagram.com/p/BwXZd54Bvb-/>.
BenShot, LLC, Instagram webpage post, accessed Oct. 15, 2019, <https://www.instagram.com/p/Bwe-QX1hjmc/>.
BenShot, LLC, Instagram webpage post, accessed Oct. 15, 2019, <https://www.instagram.com/p/BwxJuKzhncO/>.
BenShot, LLC, Instagram webpage post, accessed Oct. 15, 2019, <https://www.instagram.com/p/ByVizaVBQ93/>.
BenShot, LLC, Instagram webpage post, accessed Oct. 15, 2019, <https://www.instagram.com/p/B0OcpG5hKmy/>.
BenShot, LLC, Instagram webpage post, accessed Oct. 15, 2019, <https://www.instagram.com/p/B014LsShESv/>.
BenShot, LLC, Instagram webpage post, accessed Oct. 15, 2019, https://www.instagram.com/p/B19UI6_hvgr/.
BenShot, LLC, Instagram webpage post, accessed Oct. 15, 2019, <https://www.instagram.com/p/B3C38bEBbB7/>.

* cited by examiner

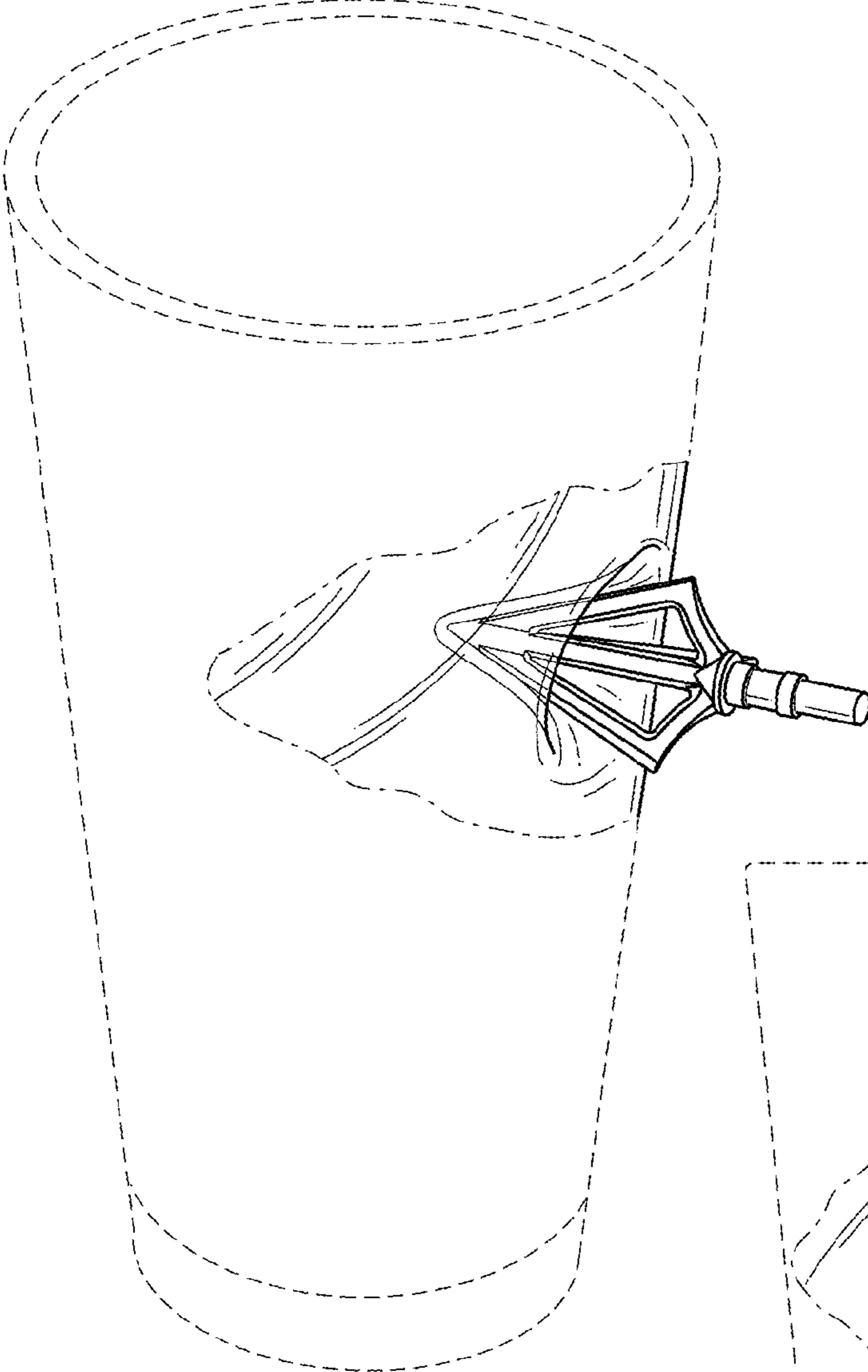


FIG. 1

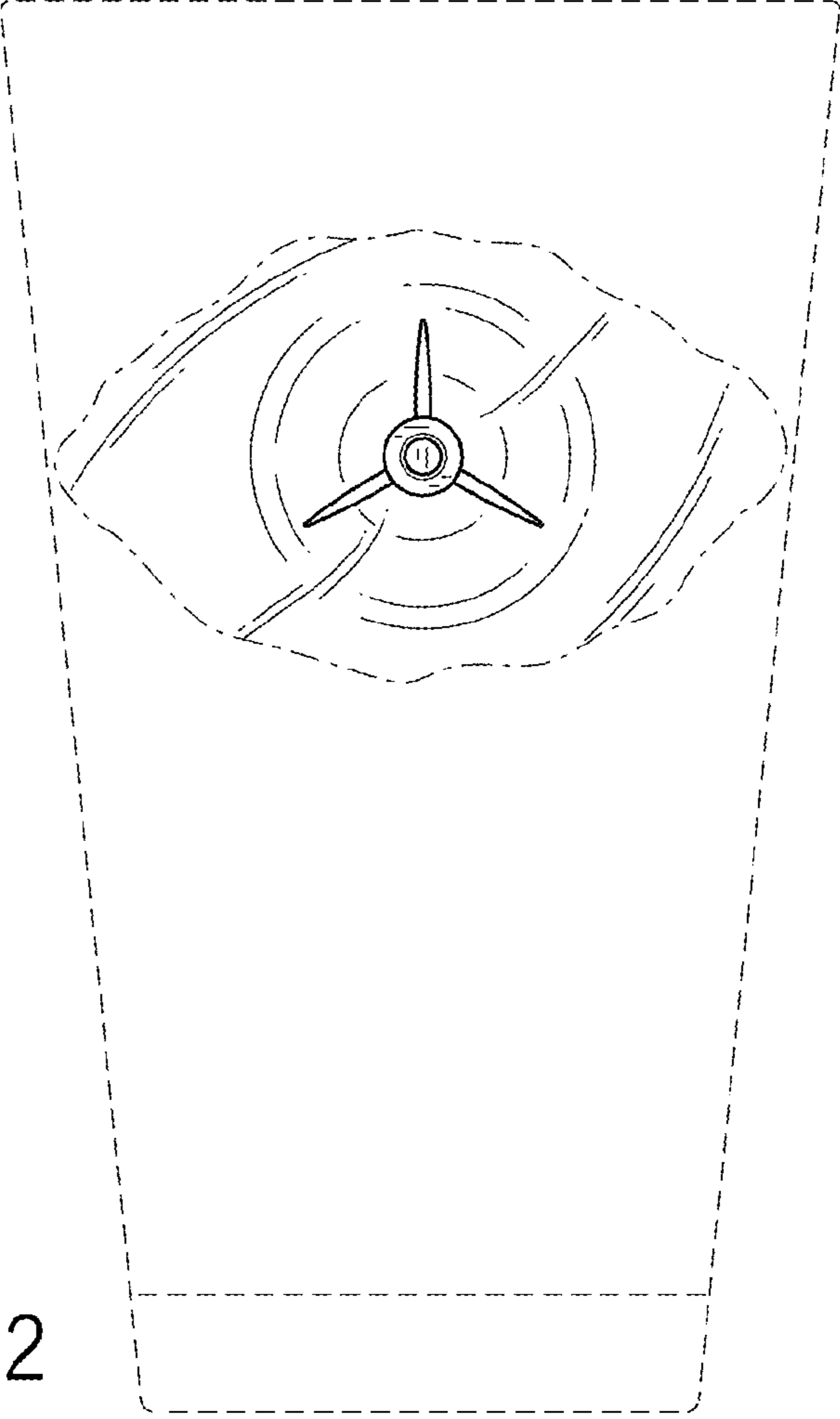


FIG. 2

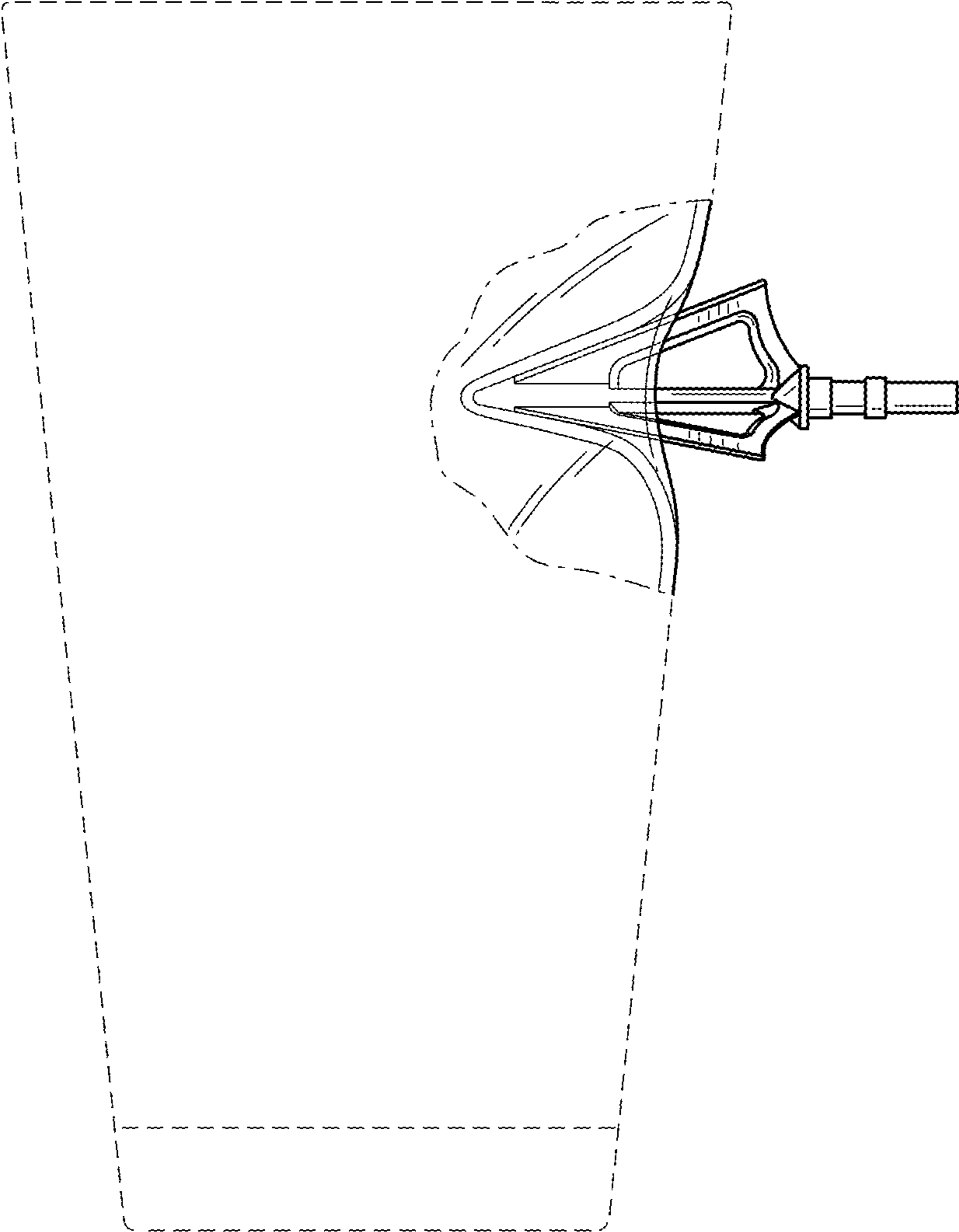


FIG. 3

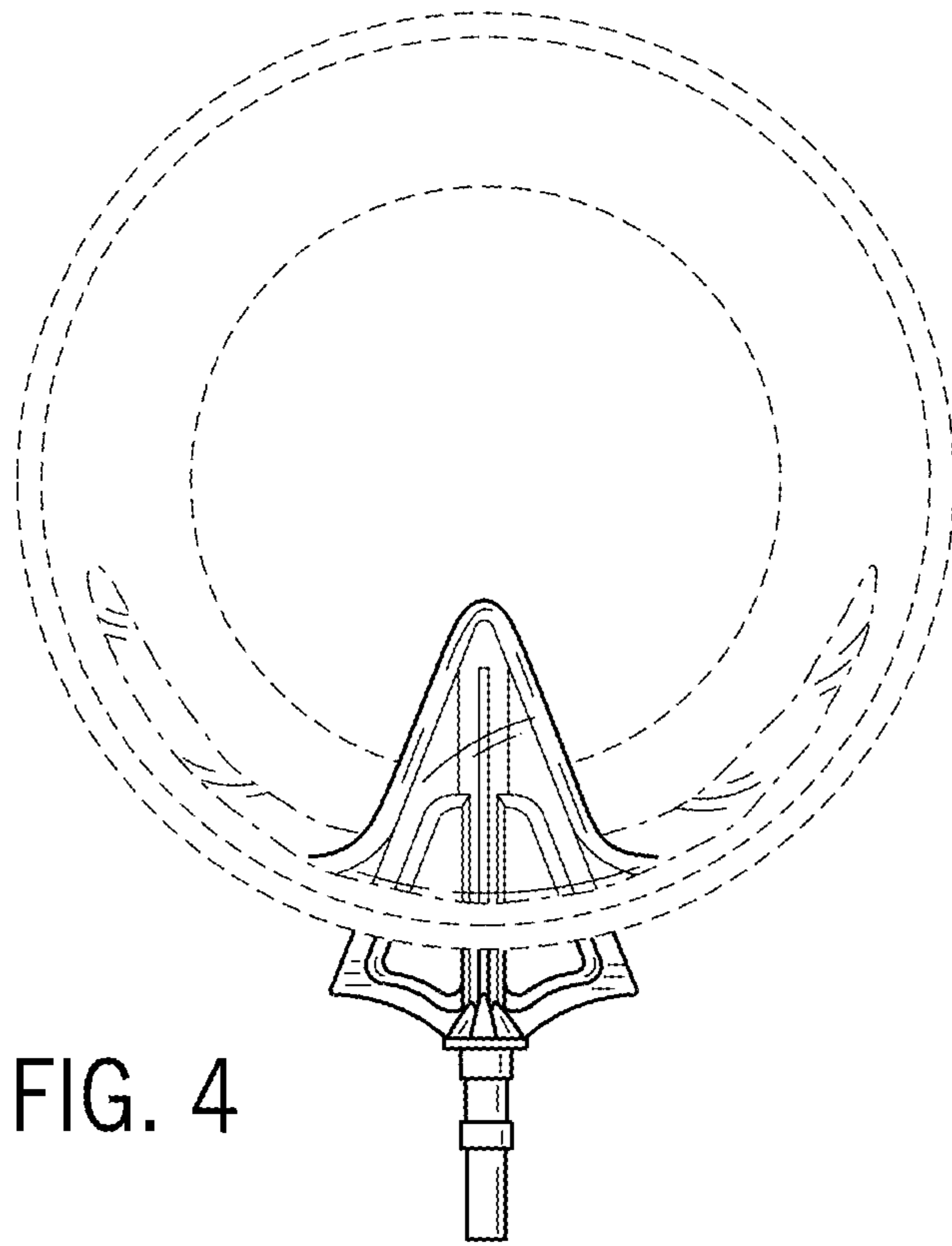


FIG. 4

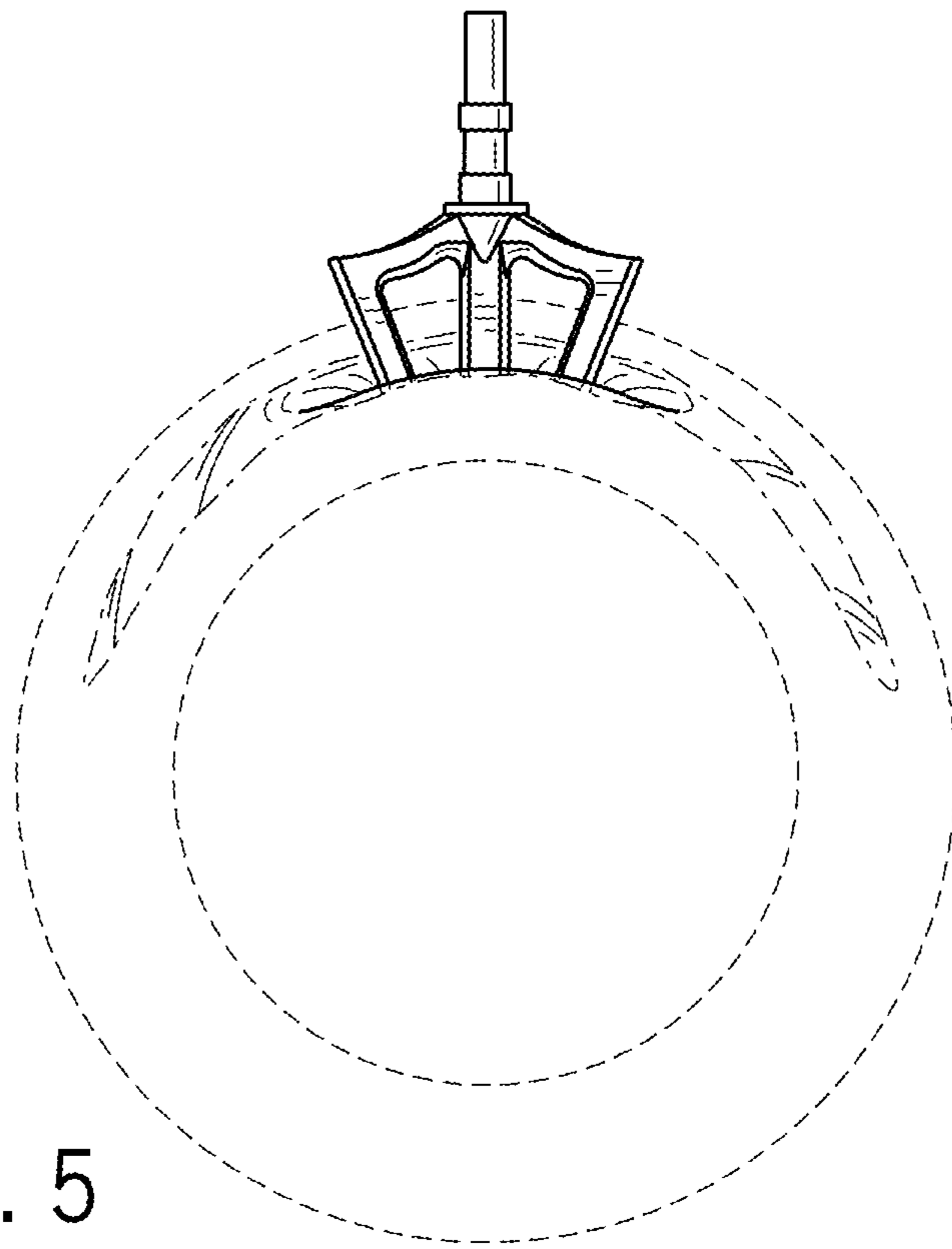


FIG. 5

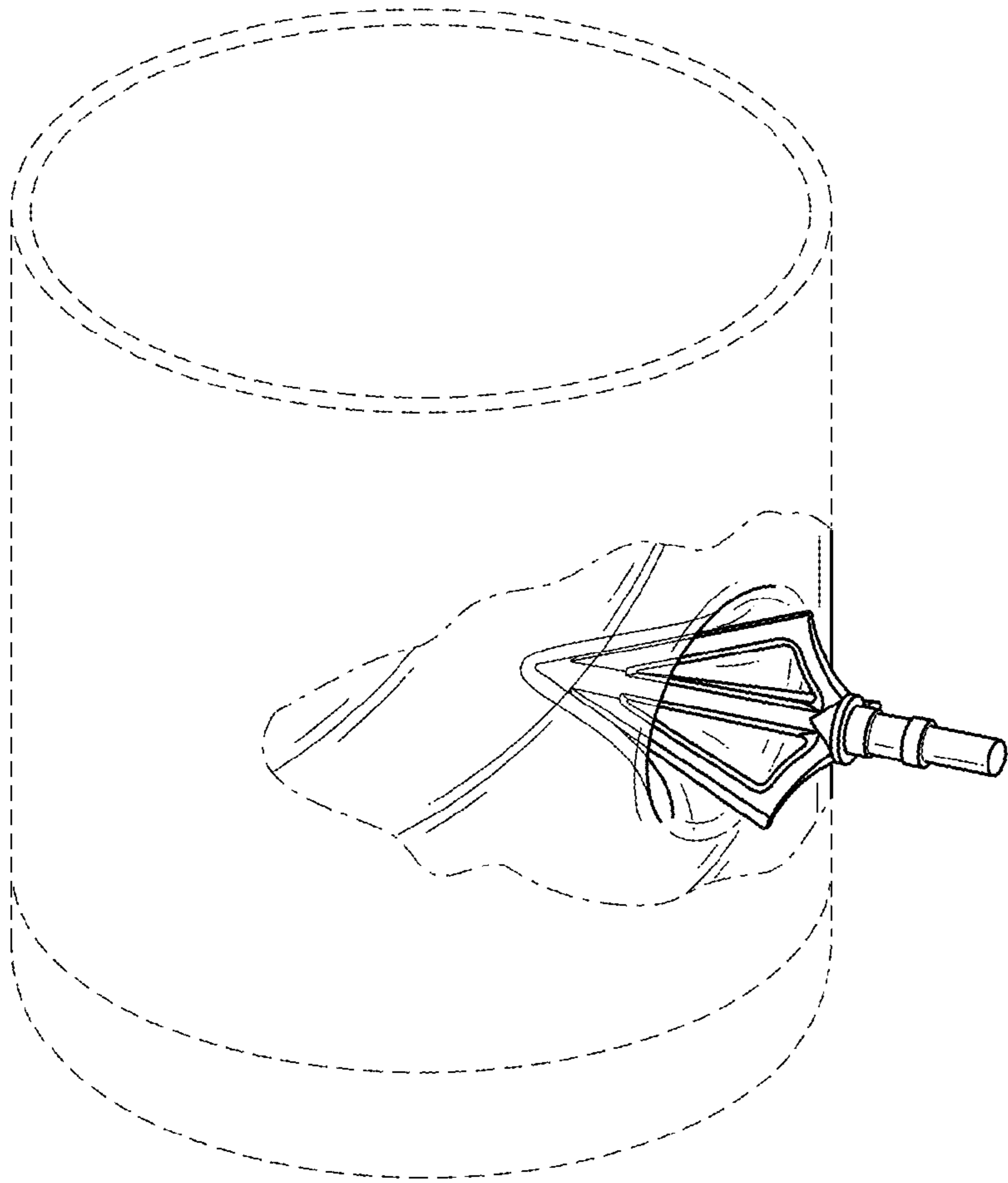


FIG. 6

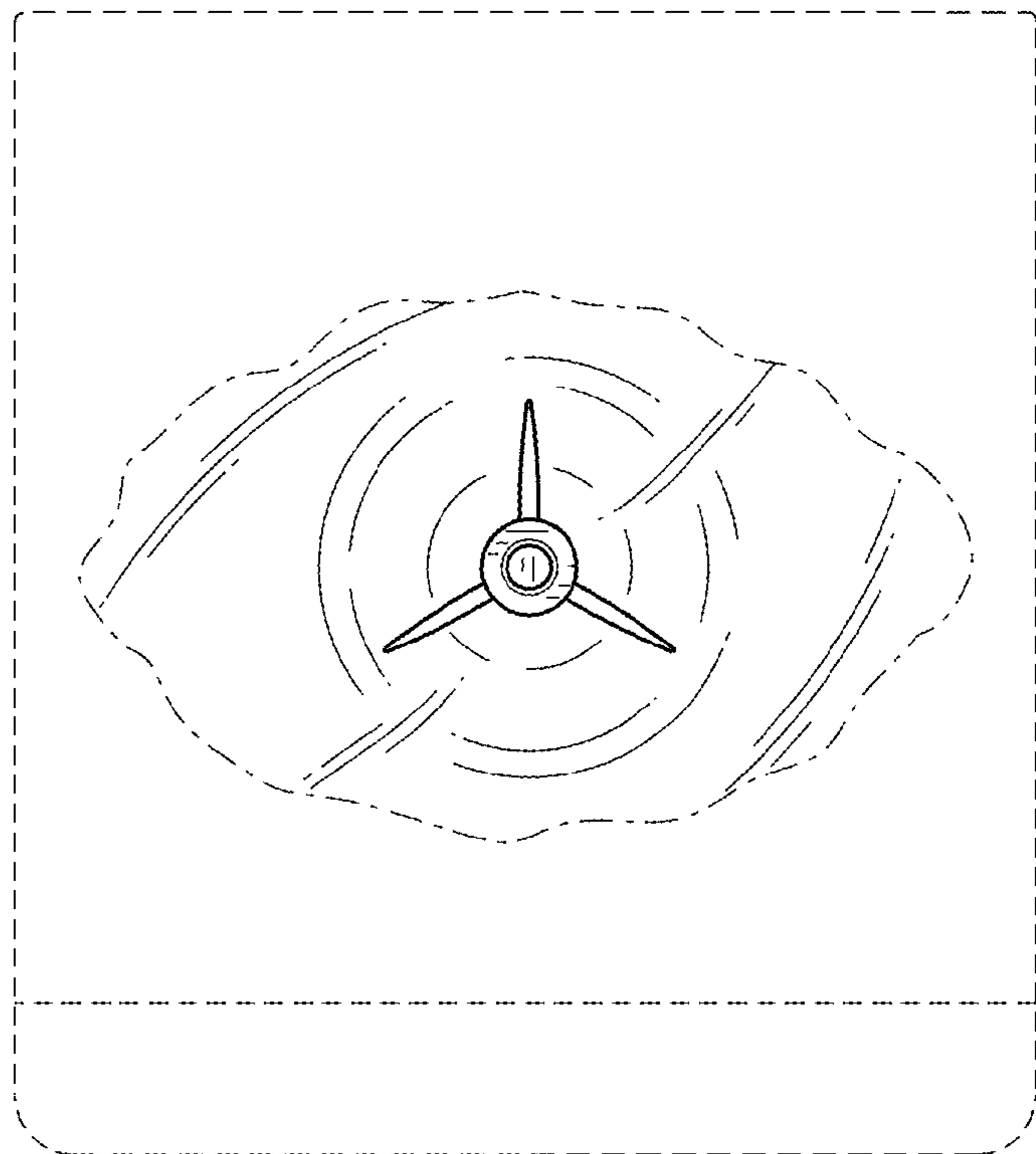


FIG. 7

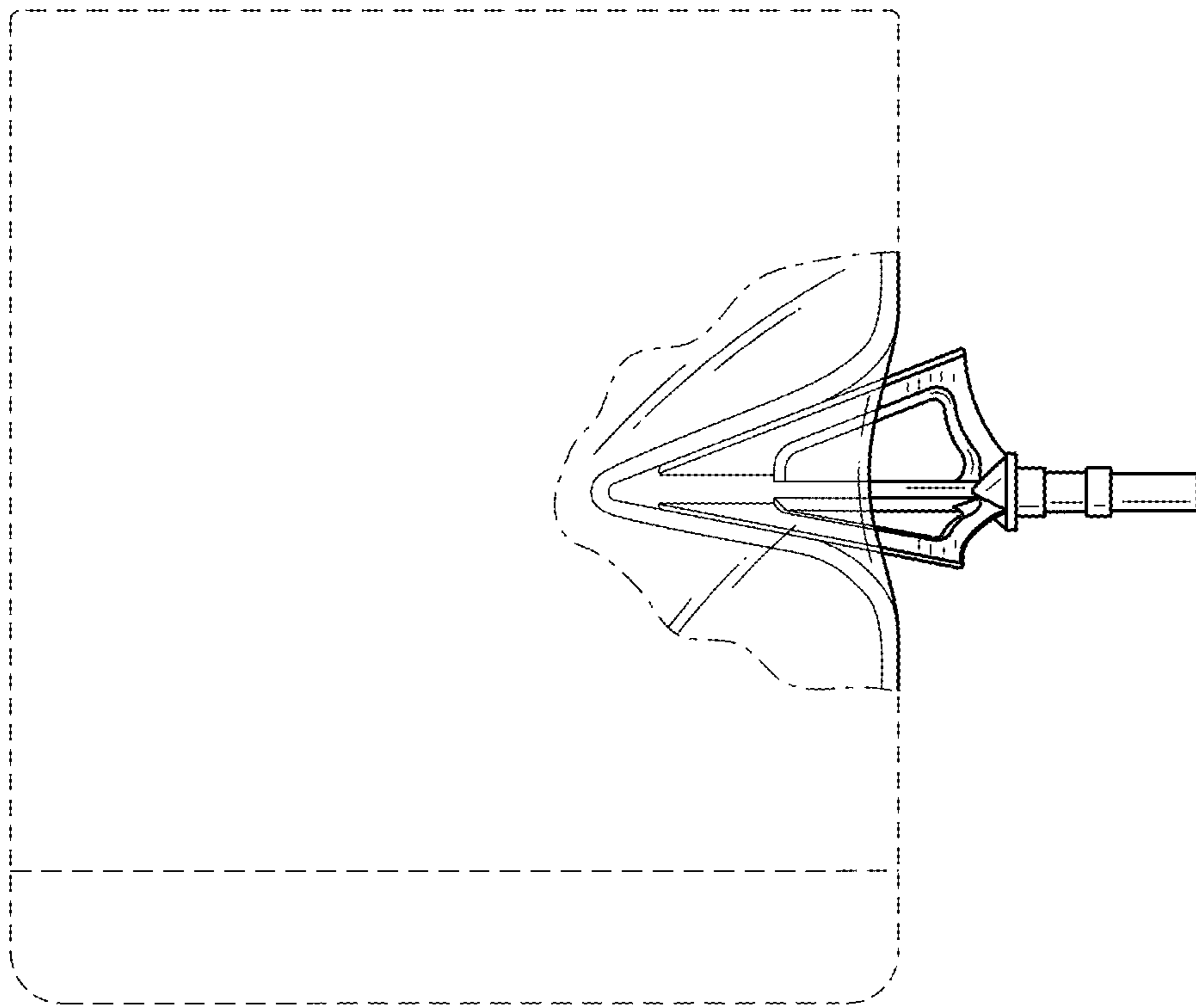


FIG. 8

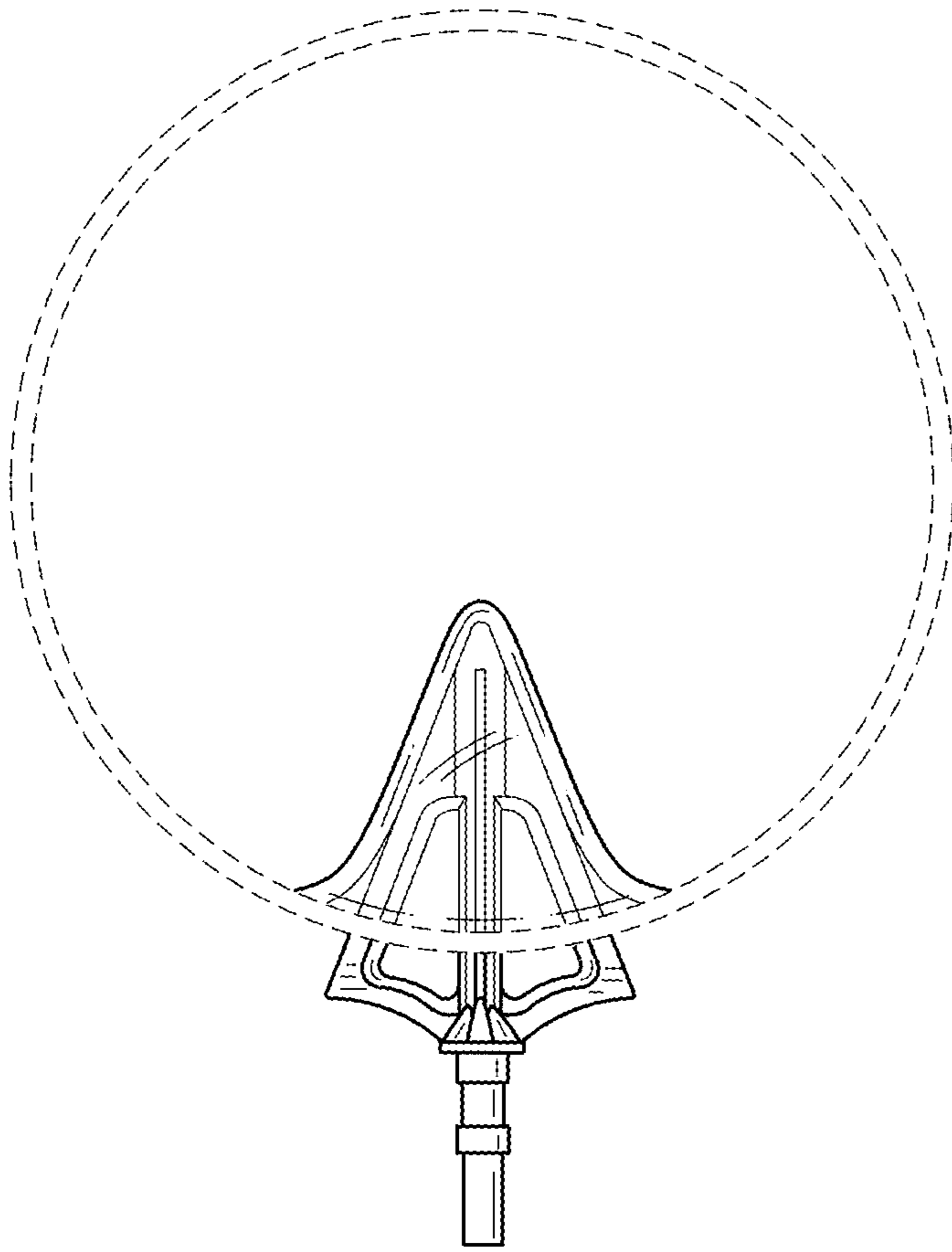


FIG. 9

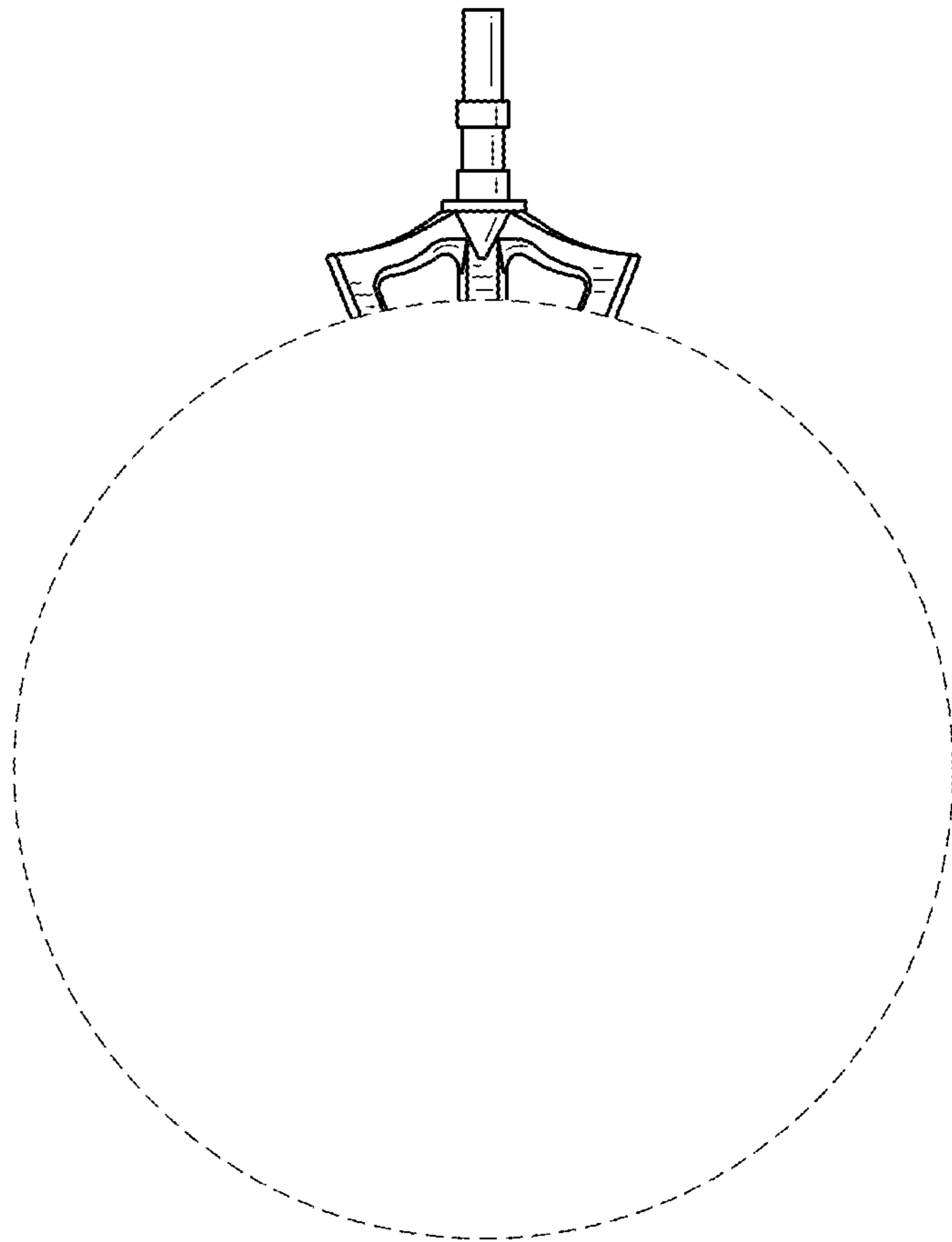


FIG. 10