



US00D895363S

(12) **United States Design Patent** (10) **Patent No.:** **US D895,363 S**  
**Shin** (45) **Date of Patent:** **\*\* Sep. 8, 2020**

(54) **GOLF DRIVER VESSEL**  
(71) Applicant: **Kyung Shin**, Sterling Heights, MI (US)  
(72) Inventor: **Kyung Shin**, Sterling Heights, MI (US)  
(\*\*) Term: **15 Years**  
(21) Appl. No.: **29/673,357**  
(22) Filed: **Dec. 13, 2018**  
(51) **LOC (12) Cl.** ..... **07-01**  
(52) **U.S. Cl.**  
USPC ..... **D7/515**; D7/536; D9/668  
(58) **Field of Classification Search**  
USPC ..... D7/559, 504, 551.3, 556, 563, 564, 569,  
D7/578, 533, 536, 515, 514; D9/668  
CPC ..... A01M 31/06  
See application file for complete search history.

D803,624 S \* 11/2017 Punjabi ..... D7/515  
D808,724 S \* 1/2018 Haws ..... D7/515  
D849,483 S \* 5/2019 Watson ..... D7/515

**OTHER PUBLICATIONS**

Images of Vintage Golf Club Shaped Bottle known in the related art that predates the invention, available online at <https://www.etsy.com/au/listing/563007504/vintage-golf-club-shaped-bottle-vintage> (date uncertain but Applicant became aware of it as early as Jul. 16, 2018).

Images of Golfer 3-D Golf Ball Golf Club Handle Coffee Mug / Cup known in the related art that predates the invention, available online at <https://www.ebay.ie/itm/Golfer-3-D-Golf-Ball-Golf-Club-Handle-Golfing-Fathers-Day-Dad-Coffee-Mug-Cup-/332467790537?hash=item4d689fe2c9> (date uncertain but Applicant became aware of it as early as Jul. 16, 2018).

(Continued)

*Primary Examiner* — Marianne N Pandozzi  
(74) *Attorney, Agent, or Firm* — Howard & Howard Attorneys PLLC

(56) **References Cited**

**U.S. PATENT DOCUMENTS**

2,639,804 A \* 5/1953 Merahn ..... A63B 60/16  
206/217  
D187,401 S \* 3/1960 Whitter ..... D9/668  
4,198,993 A \* 4/1980 Martin ..... A24F 1/30  
131/173  
D301,003 S 5/1989 Burns  
D302,633 S 8/1989 Burns  
D313,534 S \* 1/1991 Stadtmueller ..... D7/506  
D347,968 S \* 6/1994 Friedman ..... D7/302  
D356,233 S \* 3/1995 Meier ..... D7/515  
D364,318 S \* 11/1995 Chih ..... D7/515  
D364,536 S \* 11/1995 Law ..... D7/515  
D370,829 S \* 6/1996 Neale ..... D7/515  
D373,508 S \* 9/1996 Shin ..... D7/515  
D414,378 S \* 9/1999 Green ..... D7/515  
D763,040 S \* 8/2016 Punjabi ..... D3/255  
D781,105 S \* 3/2017 Wolff ..... D7/301

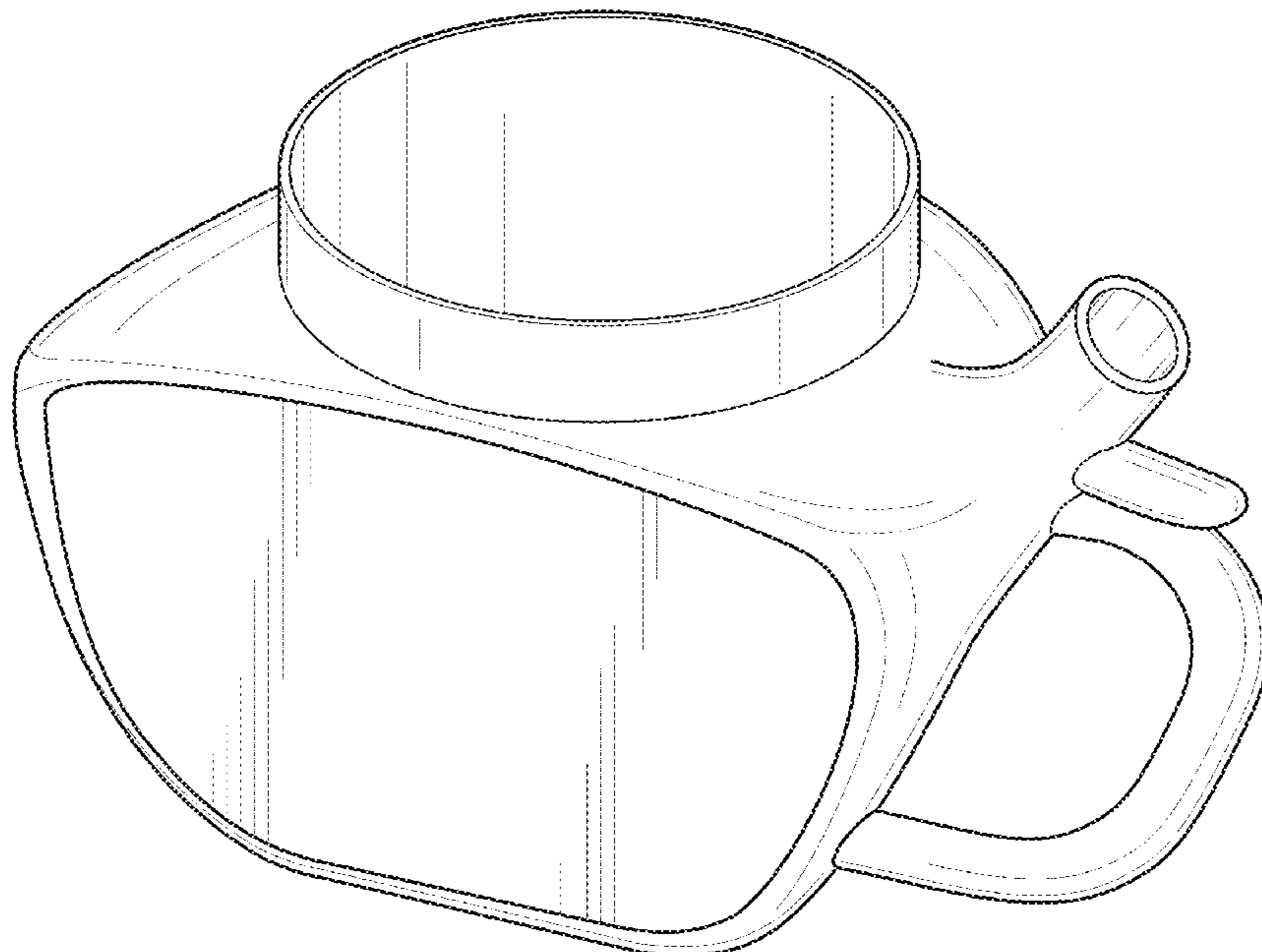
(57) **CLAIM**

The ornamental design for a golf driver vessel, as shown and described.

**DESCRIPTION**

FIG. 1 is a perspective view of a golf driver vessel showing my new design;  
FIG. 2 is a front view thereof;  
FIG. 3 is a top view thereof;  
FIG. 4 is a back view thereof;  
FIG. 5 is a right view thereof;  
FIG. 6 is a left view thereof; and,  
FIG. 7 is a bottom view thereof.  
The broken lines in the drawing depict portions of the golf driver vessel that form no part of the claimed design.

**1 Claim, 6 Drawing Sheets**



(56)

**References Cited**

OTHER PUBLICATIONS

Images of Gold Bag Beer Mug known in the related art that predates the invention, available online at [https://golfbeermug.com/products/golf-beer-mug?variant=7265996800034&utm\\_medium=cpc&utm\\_source=google&utm\\_campaign=Google%20Shopping](https://golfbeermug.com/products/golf-beer-mug?variant=7265996800034&utm_medium=cpc&utm_source=google&utm_campaign=Google%20Shopping) (date uncertain but Applicant became aware of it as early as Jul. 16, 2018).

Images of the Drink Dispensing Driver known in the related art that predates the invention, available online at [https://www.hammacher.com/product/drink-dispensing-driver-1?PID=7101032&source=cj&utm\\_source=Affiliate&utm\\_medium=CPA&utm\\_campaign=CJ](https://www.hammacher.com/product/drink-dispensing-driver-1?PID=7101032&source=cj&utm_source=Affiliate&utm_medium=CPA&utm_campaign=CJ) (date uncertain but Applicant became aware of it as early as Jul. 16, 2018).

\* cited by examiner

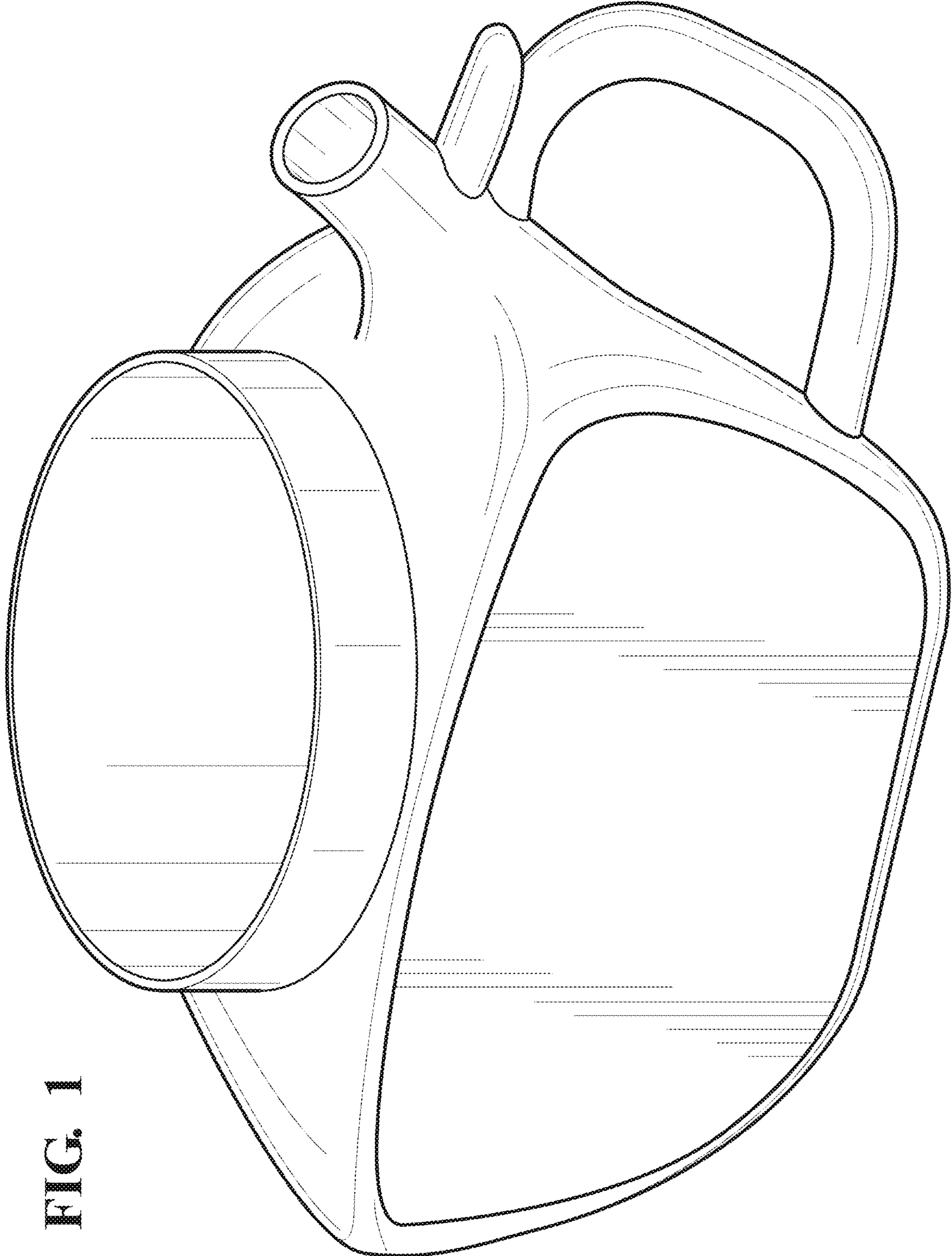


FIG. 1

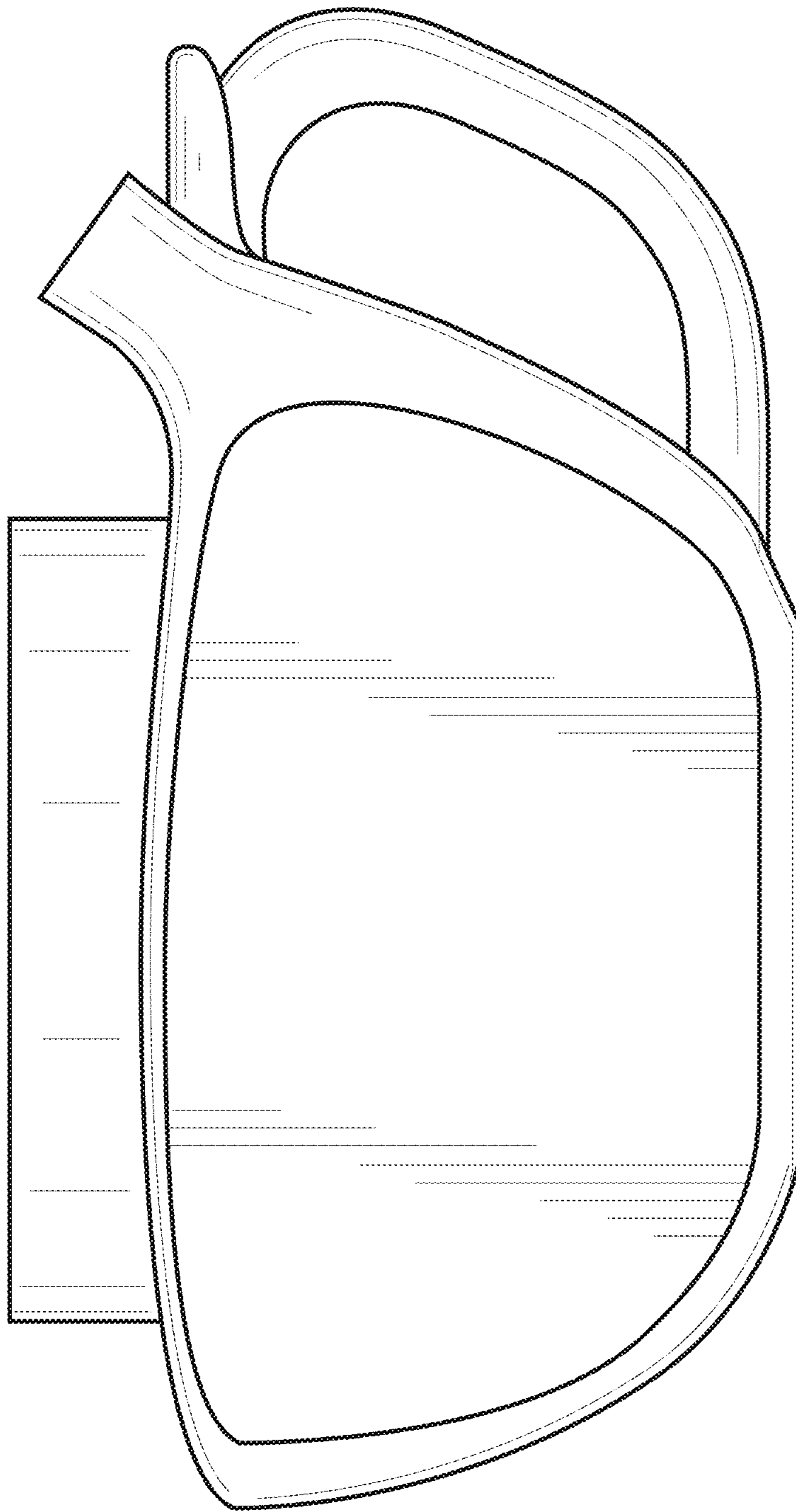
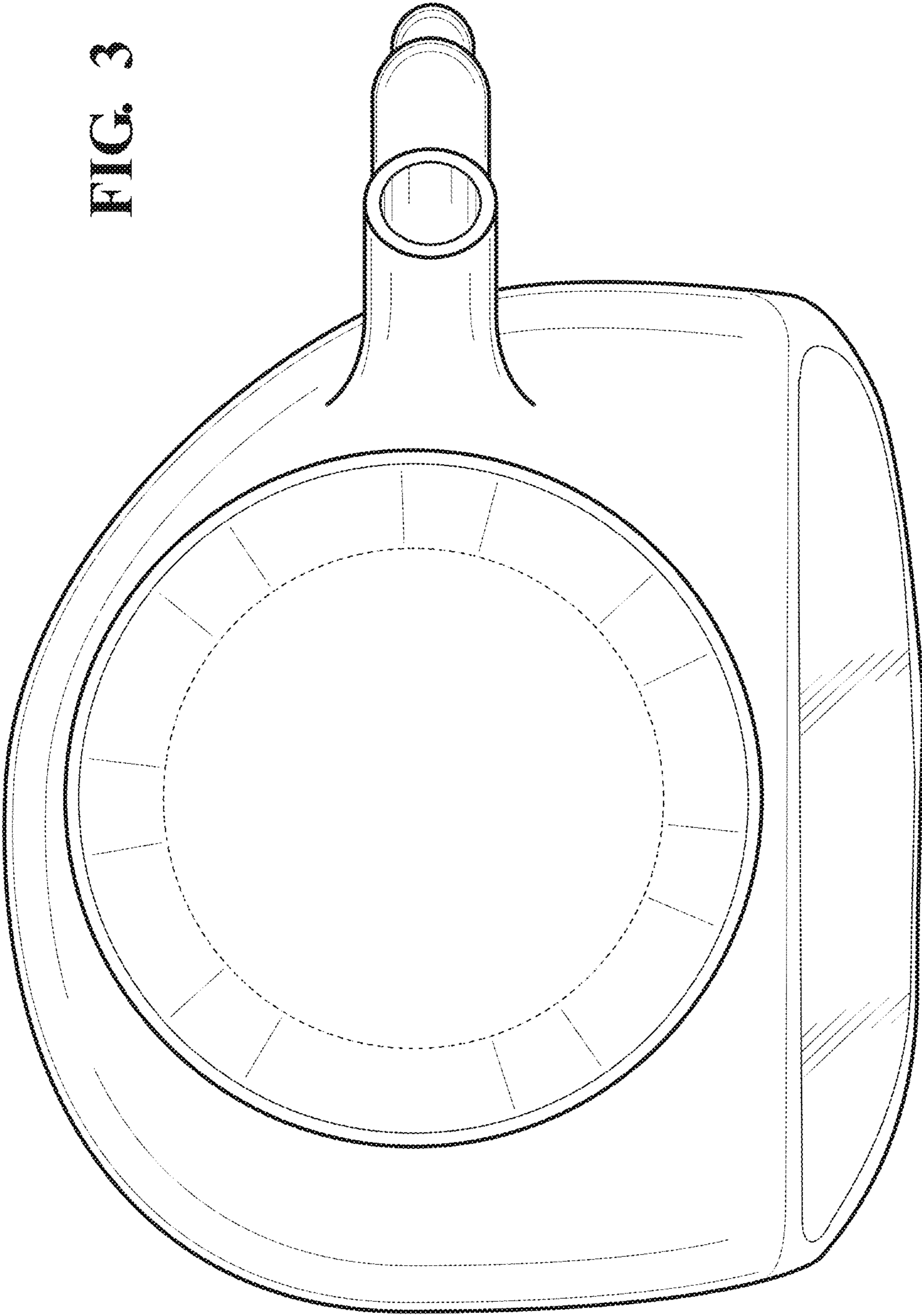


FIG. 2



FIG. 3



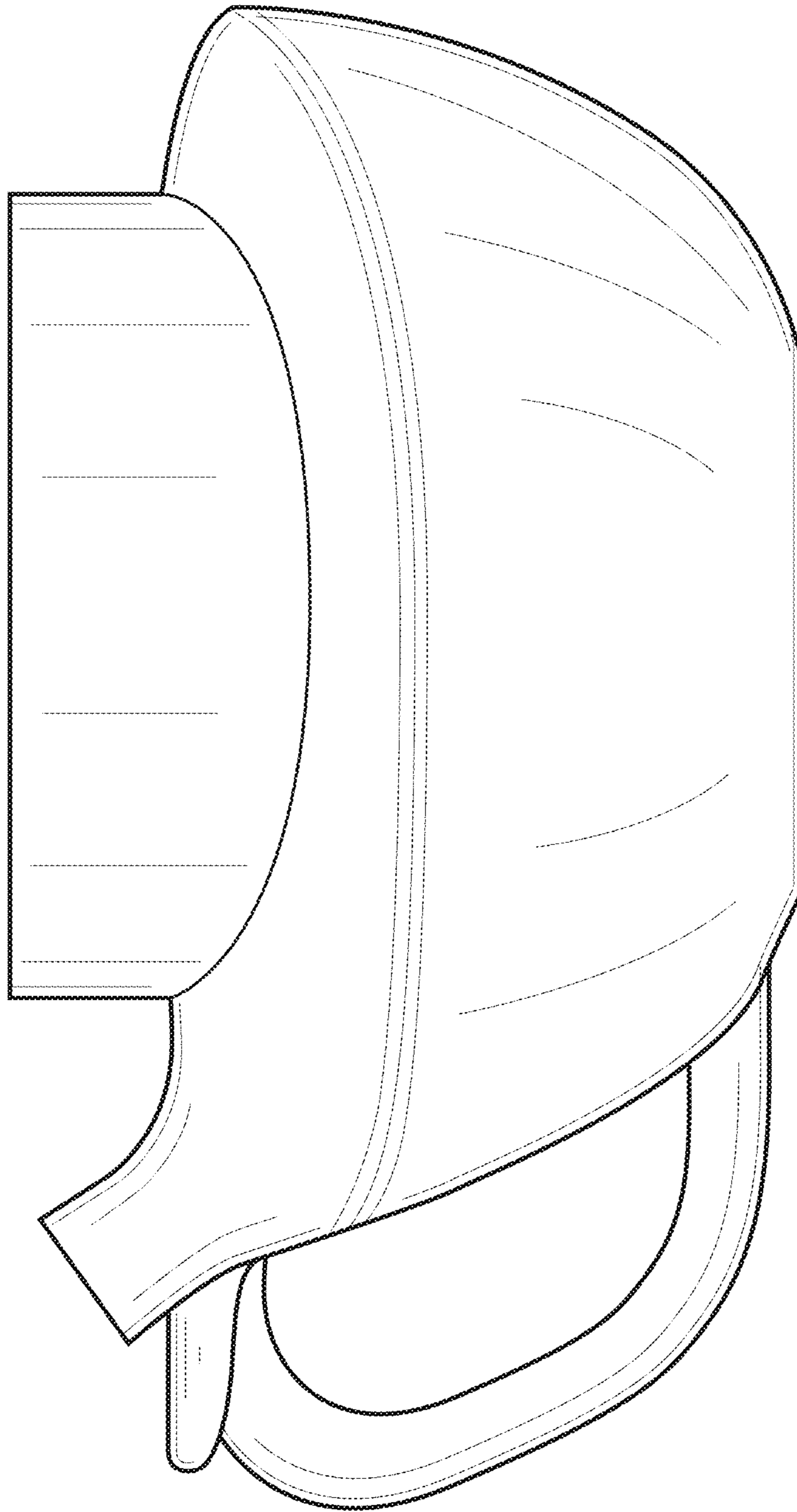
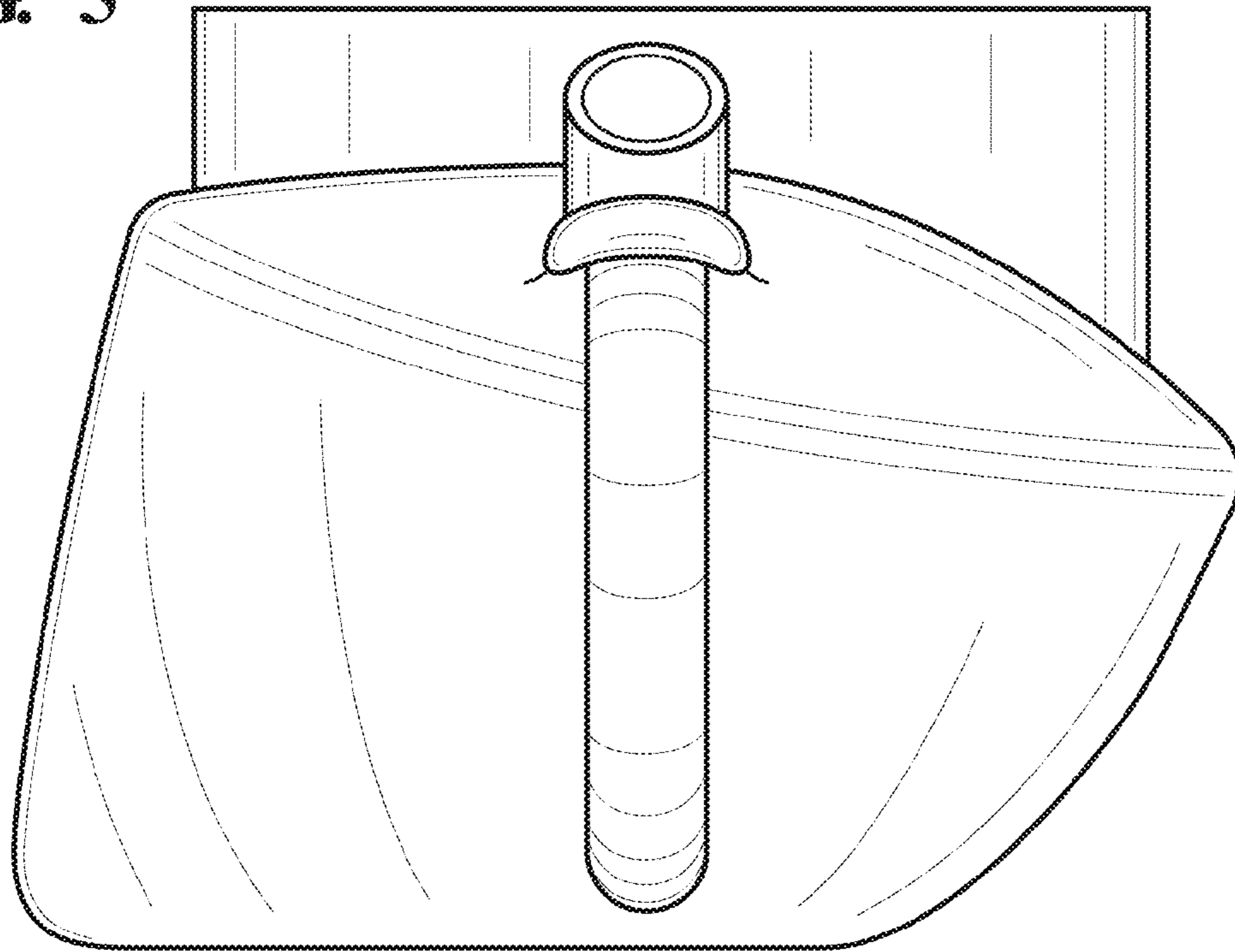
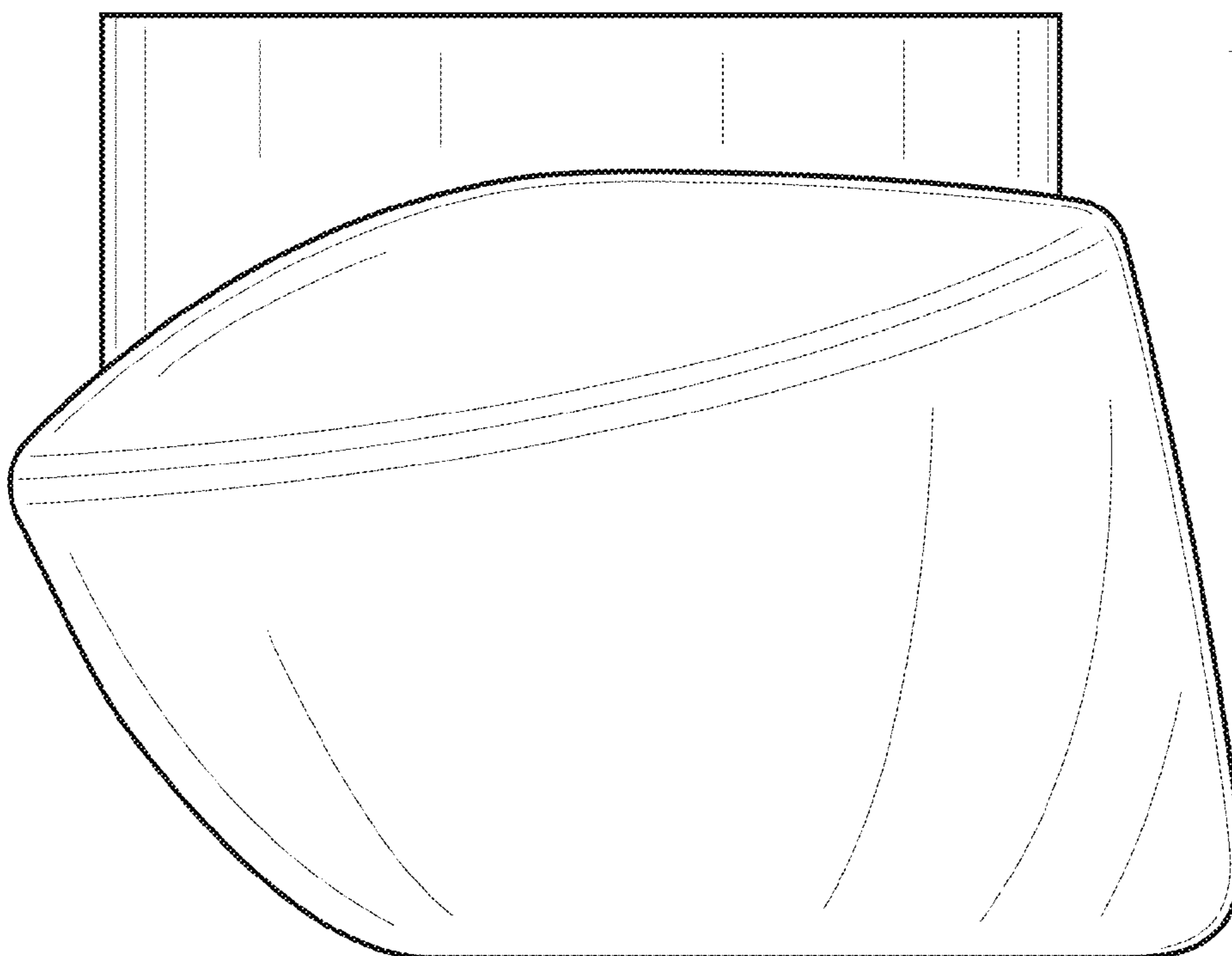


FIG. 4

**FIG. 5**



**FIG. 6**



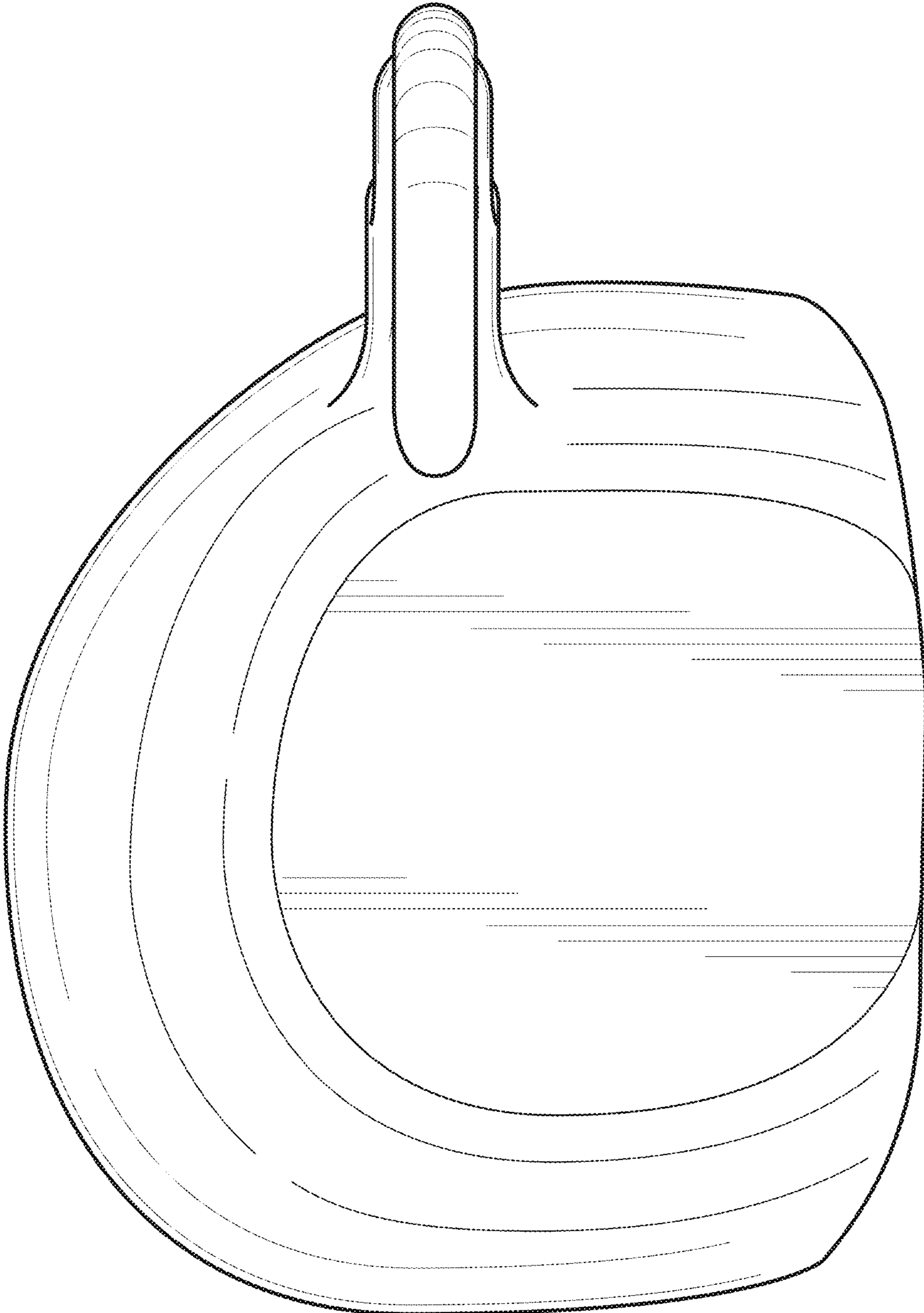


FIG. 7