



US00D895362S

(12) **United States Design Patent**  
**Lue et al.**

(10) **Patent No.:** **US D895,362 S**  
(45) **Date of Patent:** **\*\* Sep. 8, 2020**

- (54) **DUAL CHAMBER BOTTLE**
- (71) Applicant: **Tot Years, LLC**, Lansdale, PA (US)
- (72) Inventors: **Alecia S Lue**, Lansdale, PA (US);  
**David D McClanahan**, Harleysville, PA (US)
- (73) Assignee: **Tot Years LLC**, Lansdale, PA (US)
- (\*\*) Term: **15 Years**

- D511,385 S \* 11/2005 Lieberman ..... D24/197
- D513,388 S \* 1/2006 Akopyan ..... D9/522
- D516,864 S \* 3/2006 Kleckauskas ..... D7/507
- D542,139 S \* 5/2007 Welter ..... D9/520
- D562,701 S \* 2/2008 Thomas ..... D9/521
- 7,637,382 B2 \* 12/2009 Kraus ..... A61J 9/00  
215/11.1
- D642,437 S \* 8/2011 Schofield ..... D24/197
- 8,011,521 B2 \* 9/2011 Clark ..... B65D 1/0223  
215/11.1
- D650,233 S \* 12/2011 Roehrig ..... D24/197
- D666,874 S \* 9/2012 Sakulsacha ..... D7/510
- D682,033 S \* 5/2013 Dunn ..... D24/109

(Continued)

- (21) Appl. No.: **29/664,222**
- (22) Filed: **Sep. 24, 2018**
- (51) **LOC (12) Cl.** ..... **07-01**
- (52) **U.S. Cl.**  
USPC ..... **D7/513**; D7/507; D9/524
- (58) **Field of Classification Search**  
USPC ..... D7/507, 509, 510, 513, 523, 532-537,  
D7/524-528, 213, 396.4, 387, 389, 393,  
D7/395, 668; D9/533, 740, 439, 741,  
D9/742, 743, 747, 440, 436, 417, 524;  
220/592.16, 592.17, 592.2, 592.26,  
220/592.27, 703, 4.26, 4.27; 215/387,  
215/388, 400; D24/196, 197  
CPC ..... A47G 19/22; A47G 19/2205; A47G  
19/2266; A47G 19/2272; A47G 19/23;  
A61J 7/0046; B29L 2031/7132; B65D  
1/265  
See application file for complete search history.

**OTHER PUBLICATIONS**

[https://www.amazon.com/Hydra-Cup-3-0-36oz-Threat-Shaker/dp/B017Y8S136/ref=sr\\_1\\_61?dchild=1&keywords=dual%2Bcavity%2Bdrink%2Bbottle&qid=1592506460&sr=8-61&th=1](https://www.amazon.com/Hydra-Cup-3-0-36oz-Threat-Shaker/dp/B017Y8S136/ref=sr_1_61?dchild=1&keywords=dual%2Bcavity%2Bdrink%2Bbottle&qid=1592506460&sr=8-61&th=1) (Year: 2019).\*

*Primary Examiner* — Jae Liang  
(74) *Attorney, Agent, or Firm* — Invention To Patent Services; Alex Hobson

(57) **CLAIM**

The ornamental design for a dual chamber bottle, as shown and described.

**DESCRIPTION**

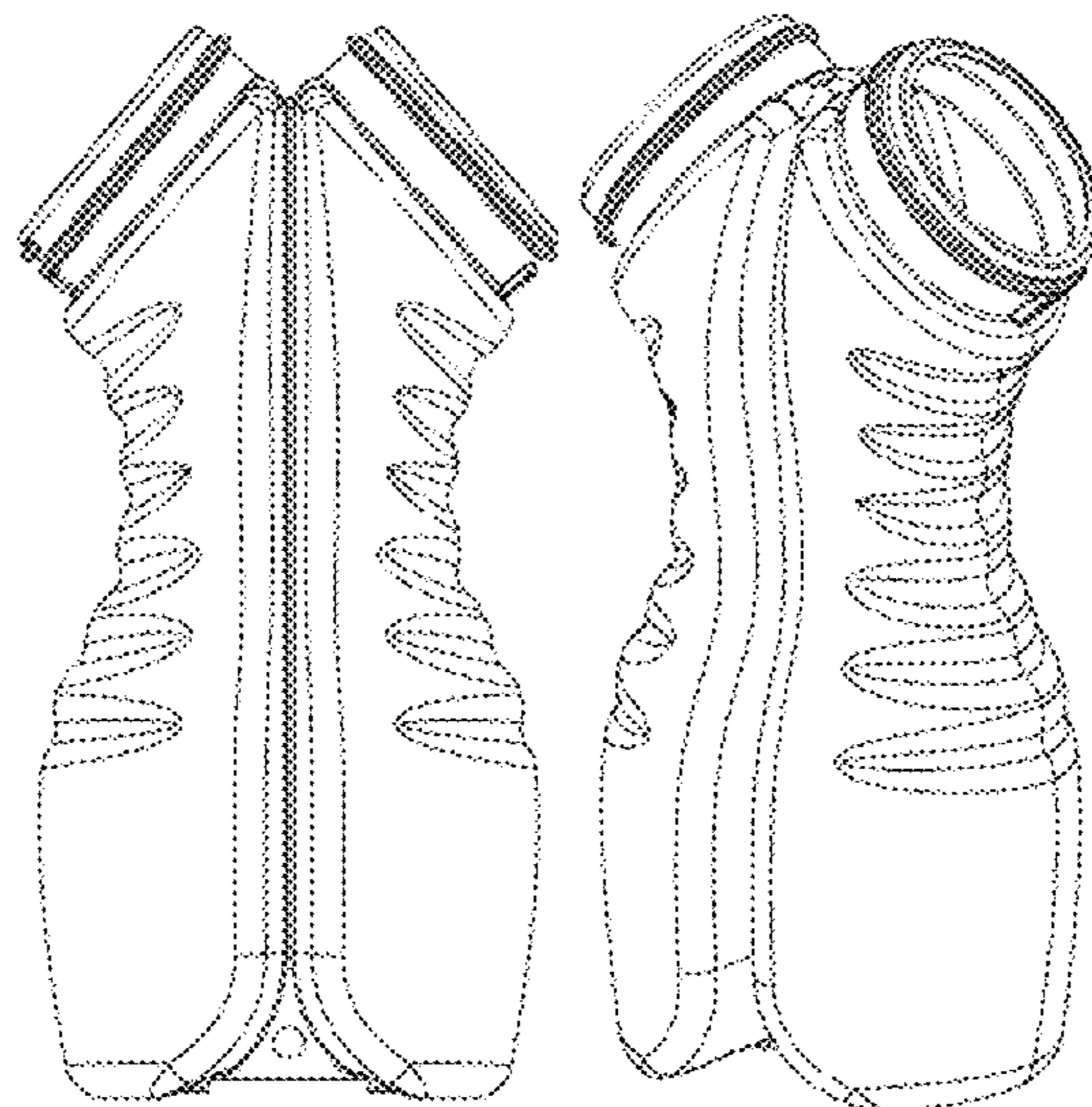
FIG. 1 is a side view of a dual chamber bottle;  
FIG. 2 is a left end view of the dual chamber bottle;  
FIG. 3 is a right end view of the dual chamber bottle;  
FIG. 4 is a top view of the dual chamber bottle;  
FIG. 5 is bottom view of the dual chamber bottle;  
FIG. 6 is a perspective view of the dual chamber bottle;  
FIG. 7 is a perspective view of the dual chamber bottle;  
FIG. 8 is a perspective view of the dual chamber bottle;  
FIG. 9 is a perspective view of the dual chamber bottle;  
FIG. 10 is a perspective view of the dual chamber bottle;  
and,  
FIG. 11 is a perspective view of the dual chamber bottle.

**1 Claim, 9 Drawing Sheets**

(56) **References Cited**

**U.S. PATENT DOCUMENTS**

- D288,526 S \* 3/1987 Parad ..... D9/524
- 6,179,146 B1 \* 1/2001 Betras ..... B65D 21/0204  
215/229
- 6,325,229 B1 \* 12/2001 Anders ..... B65D 21/0204  
215/6
- D454,068 S \* 3/2002 Hanson ..... D9/535
- D491,018 S \* 6/2004 Vinarsky ..... D3/202
- D509,754 S \* 9/2005 Scott, III ..... D9/740





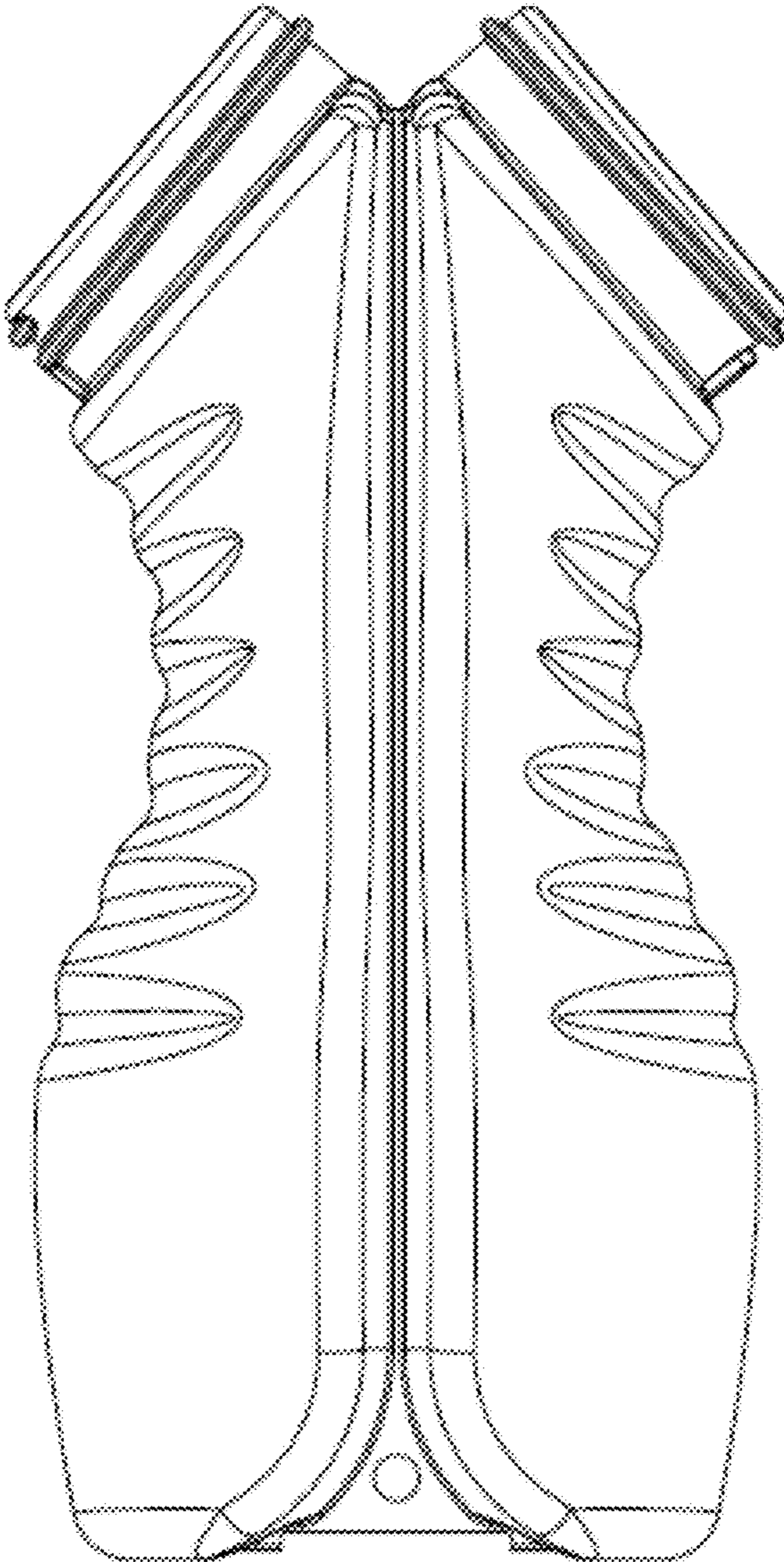


FIG. 1

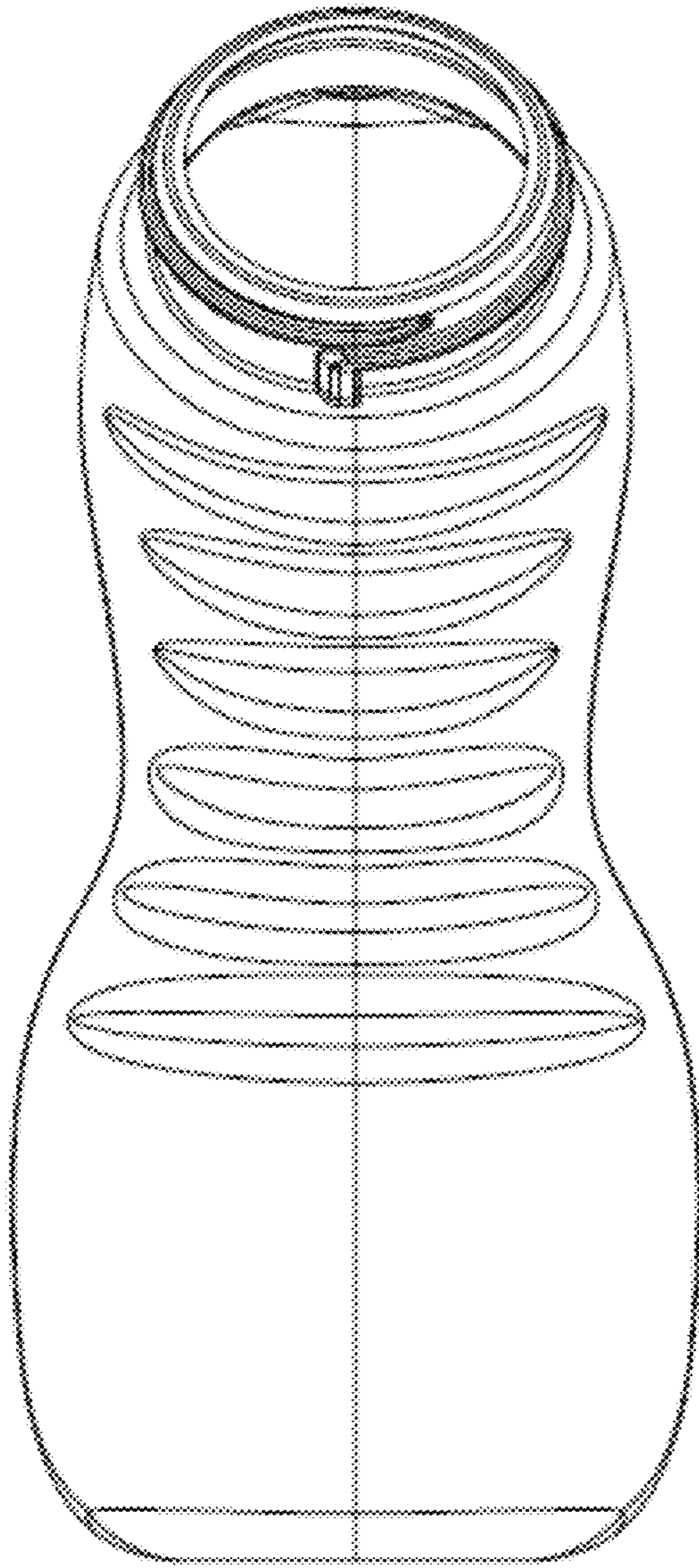


FIG. 2

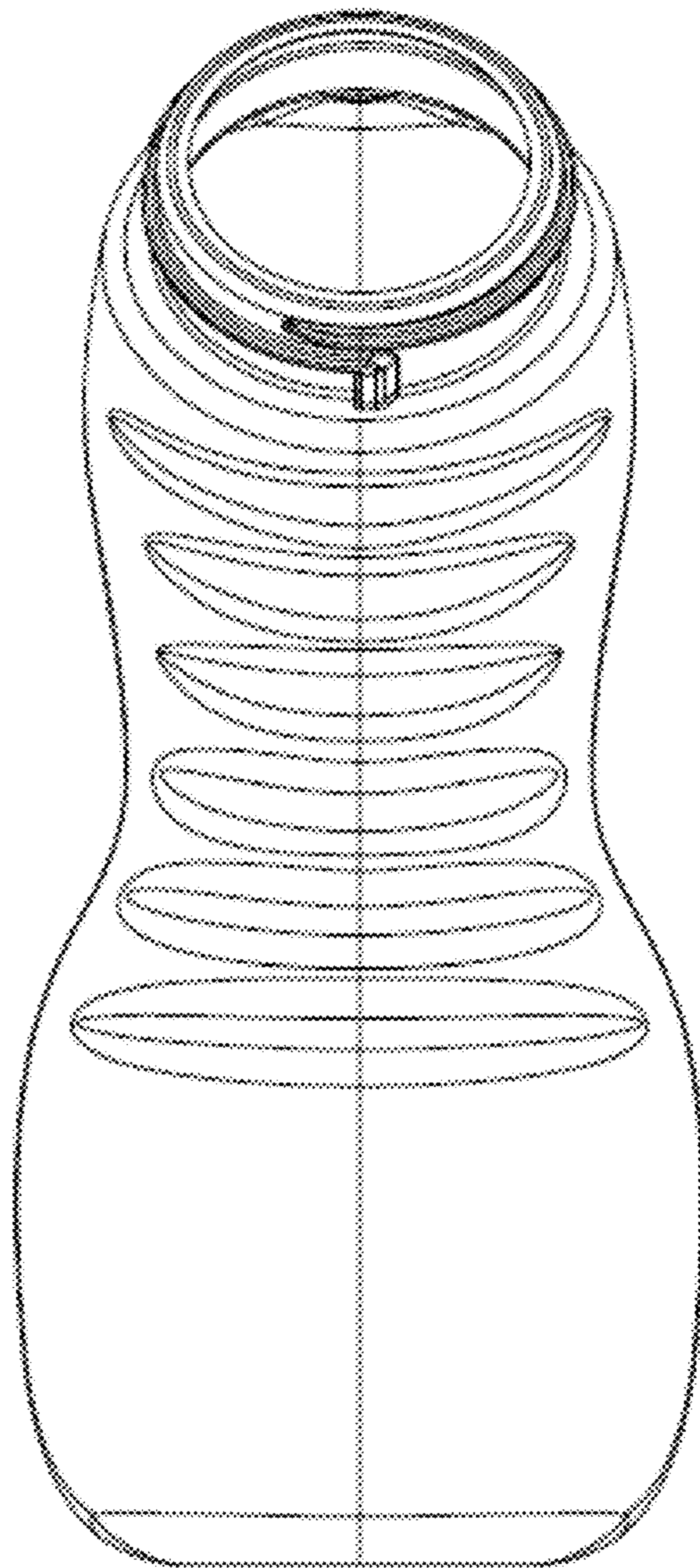


FIG. 3

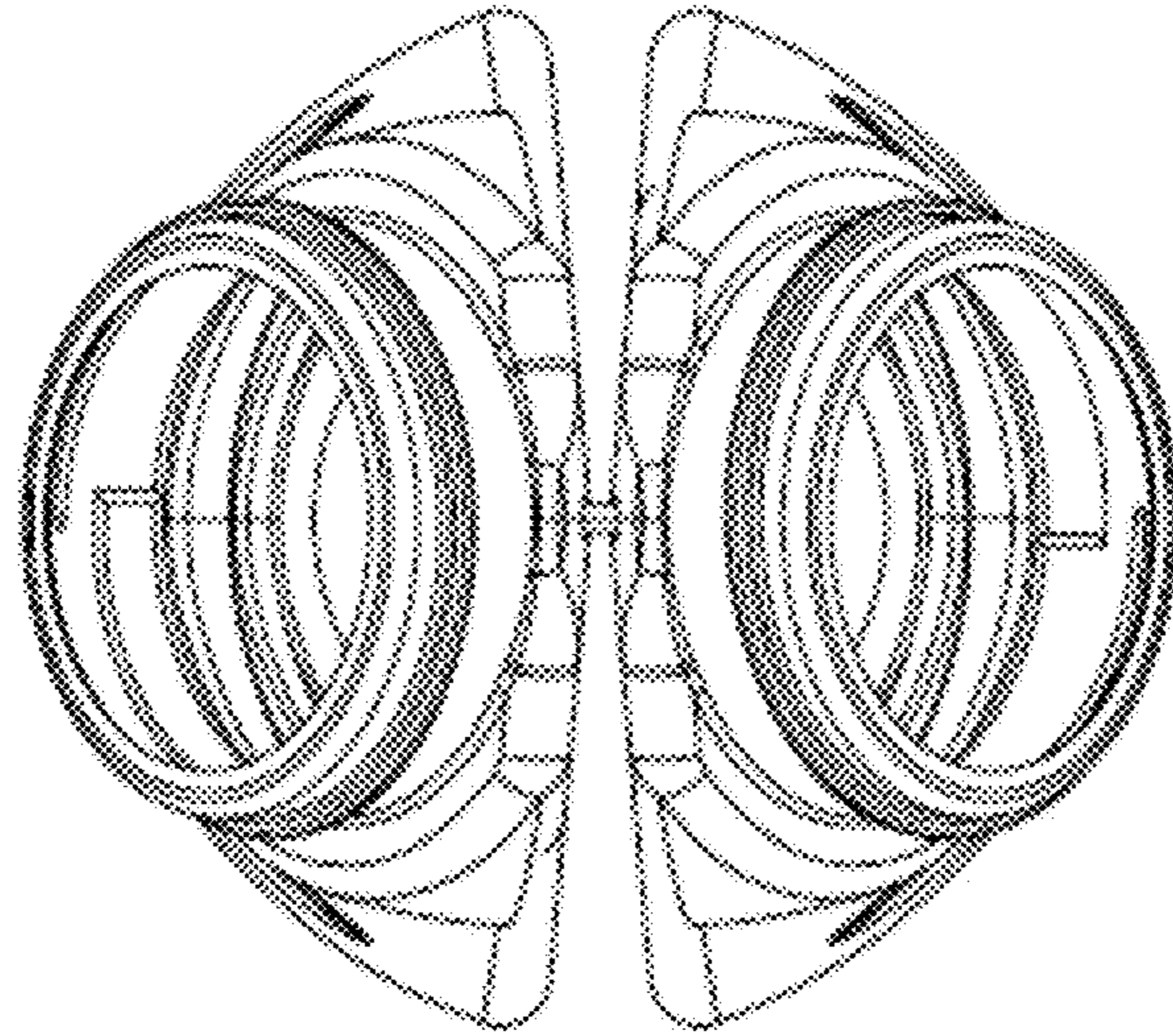


FIG. 4

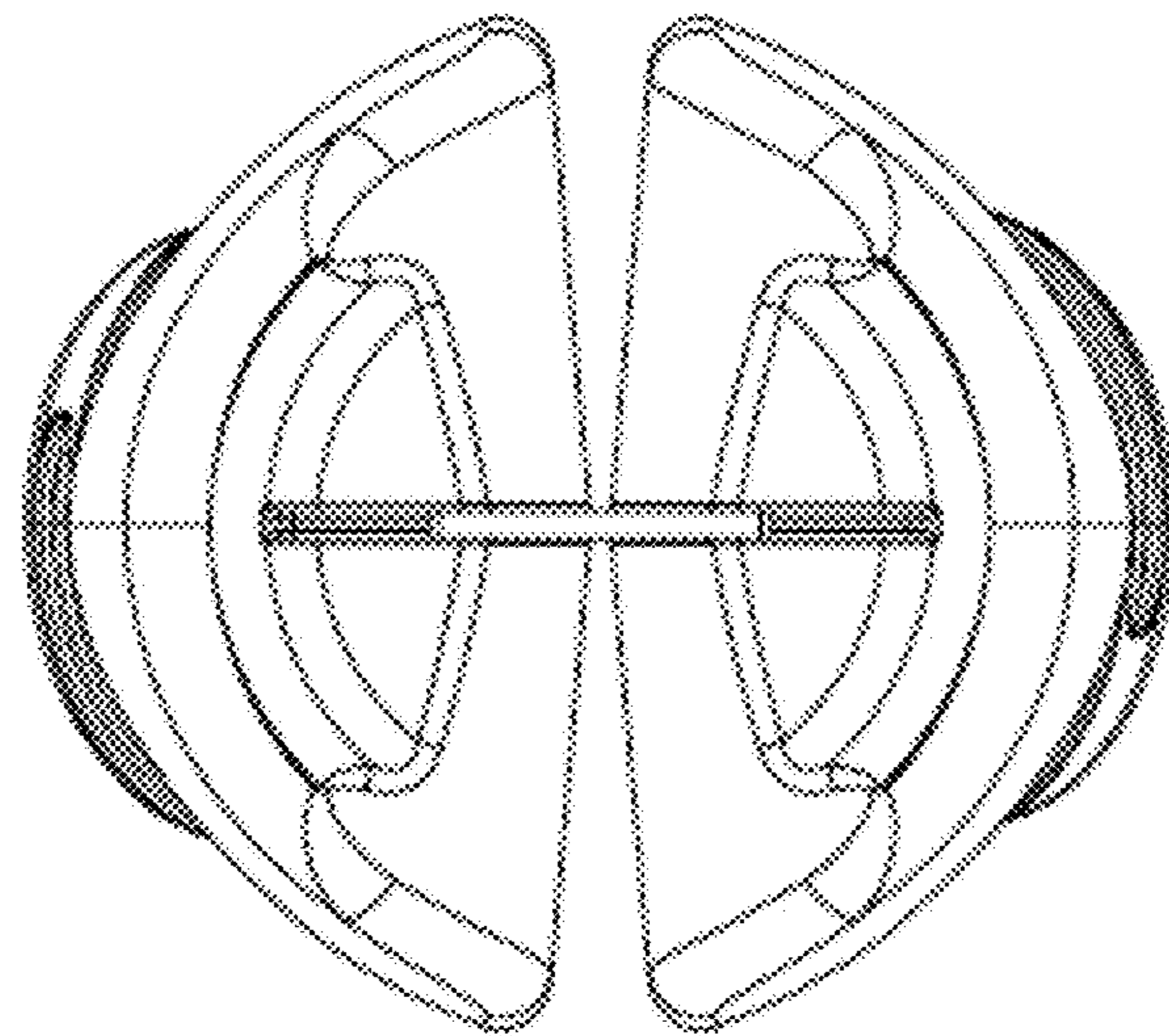


FIG. 5

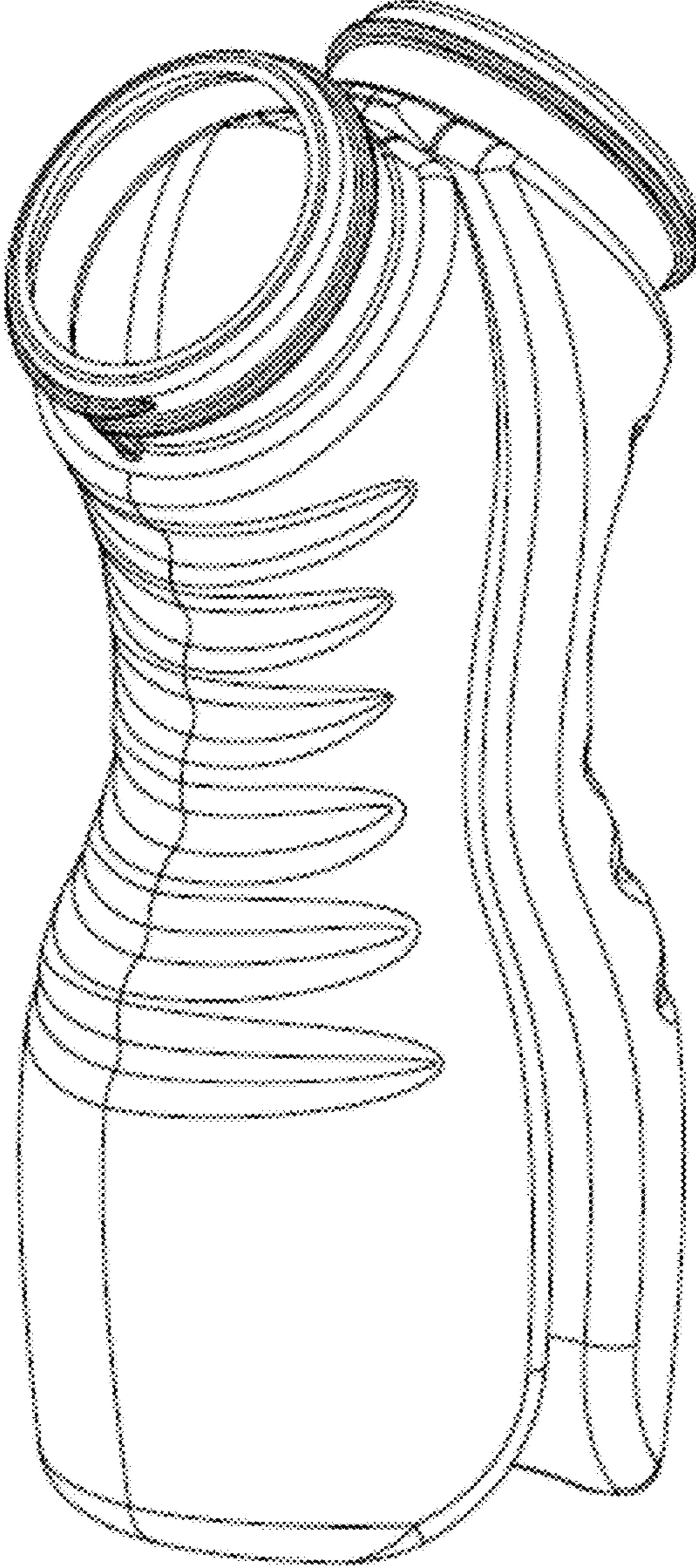


FIG. 6

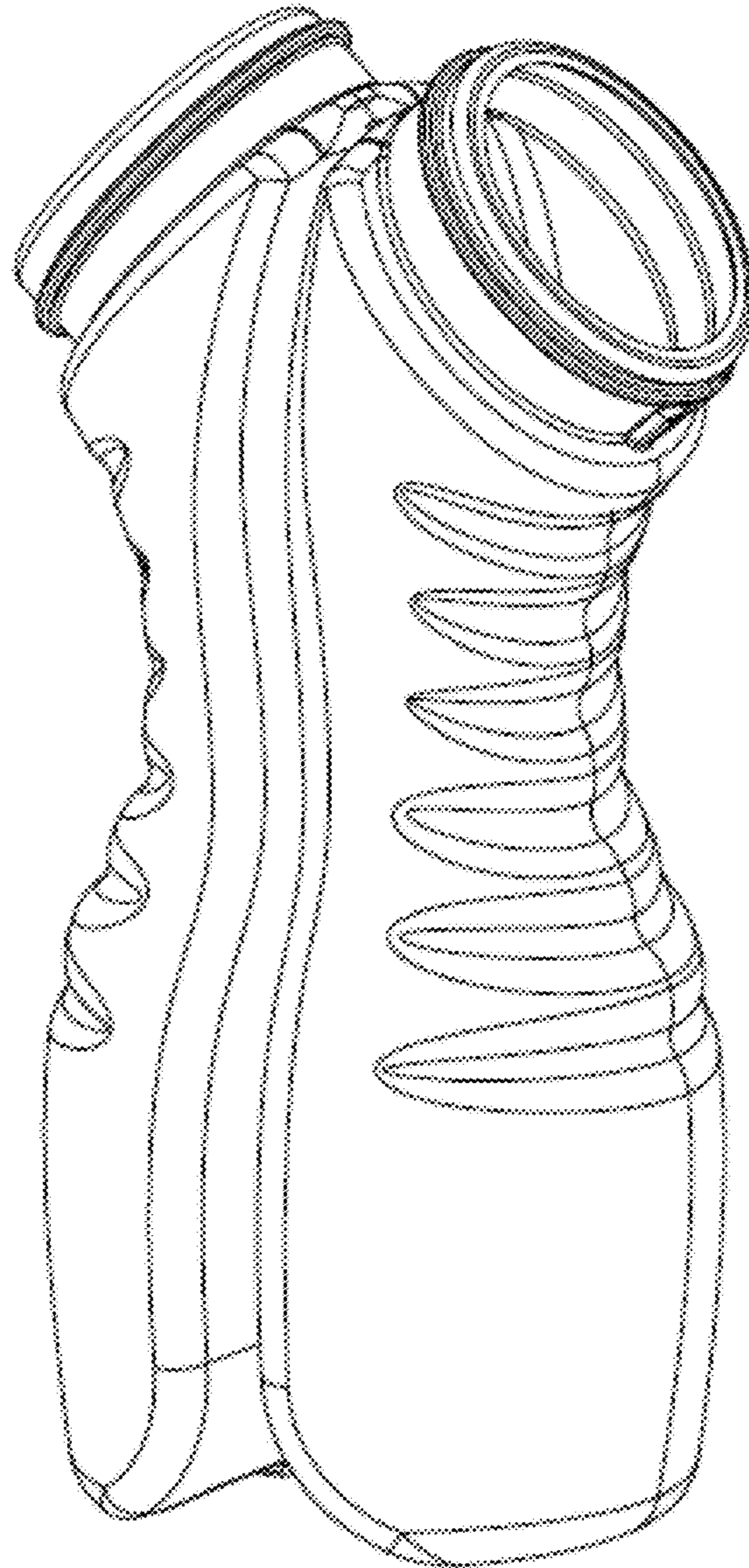


FIG. 7

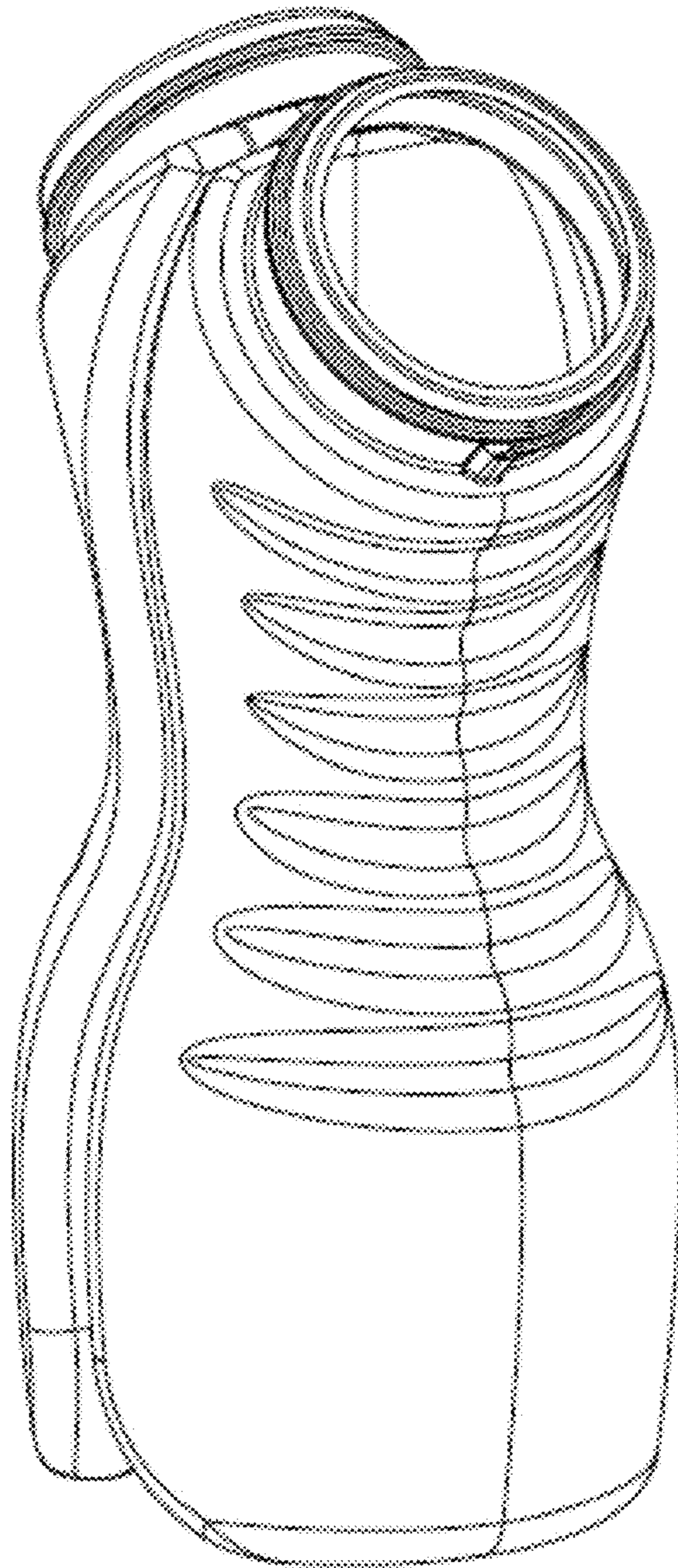


FIG. 8



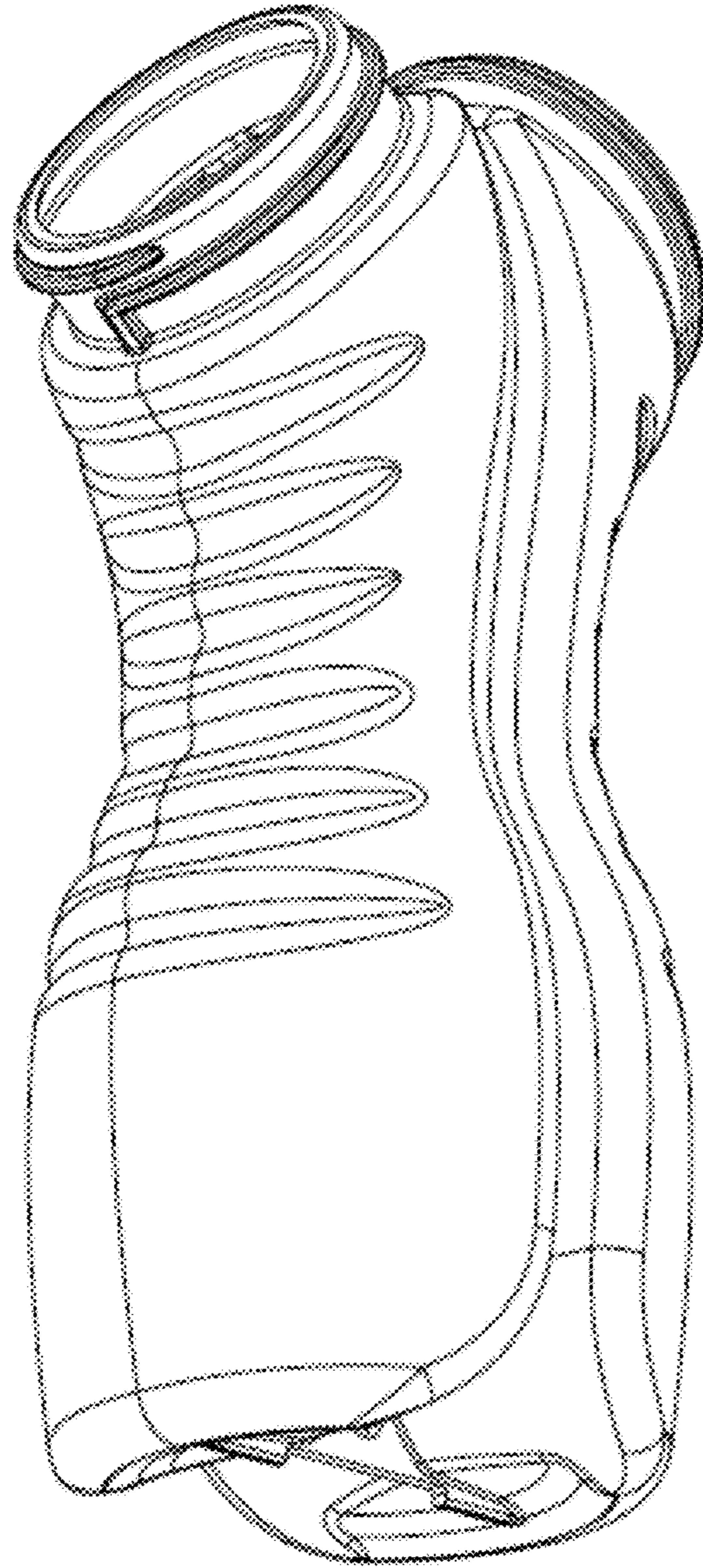


FIG. 9

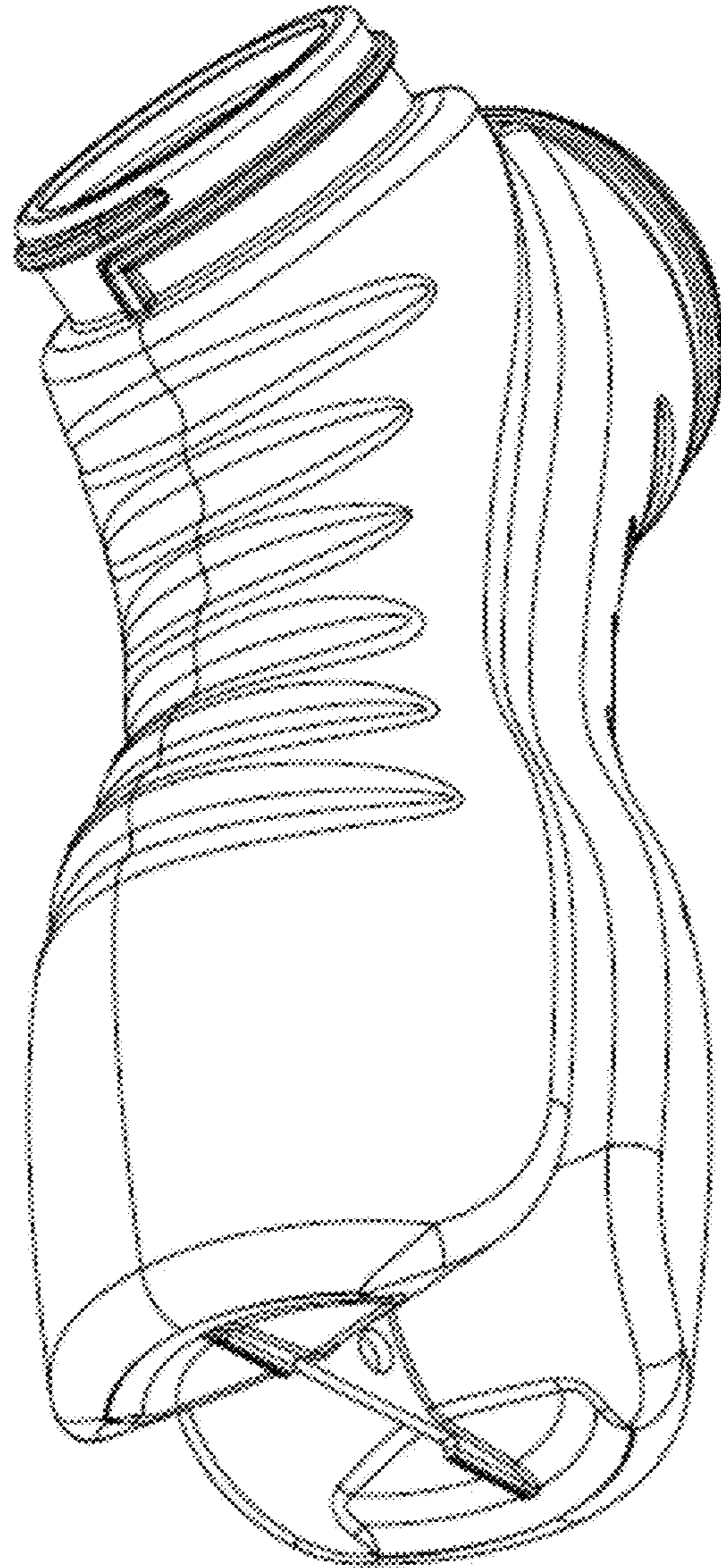


FIG. 10

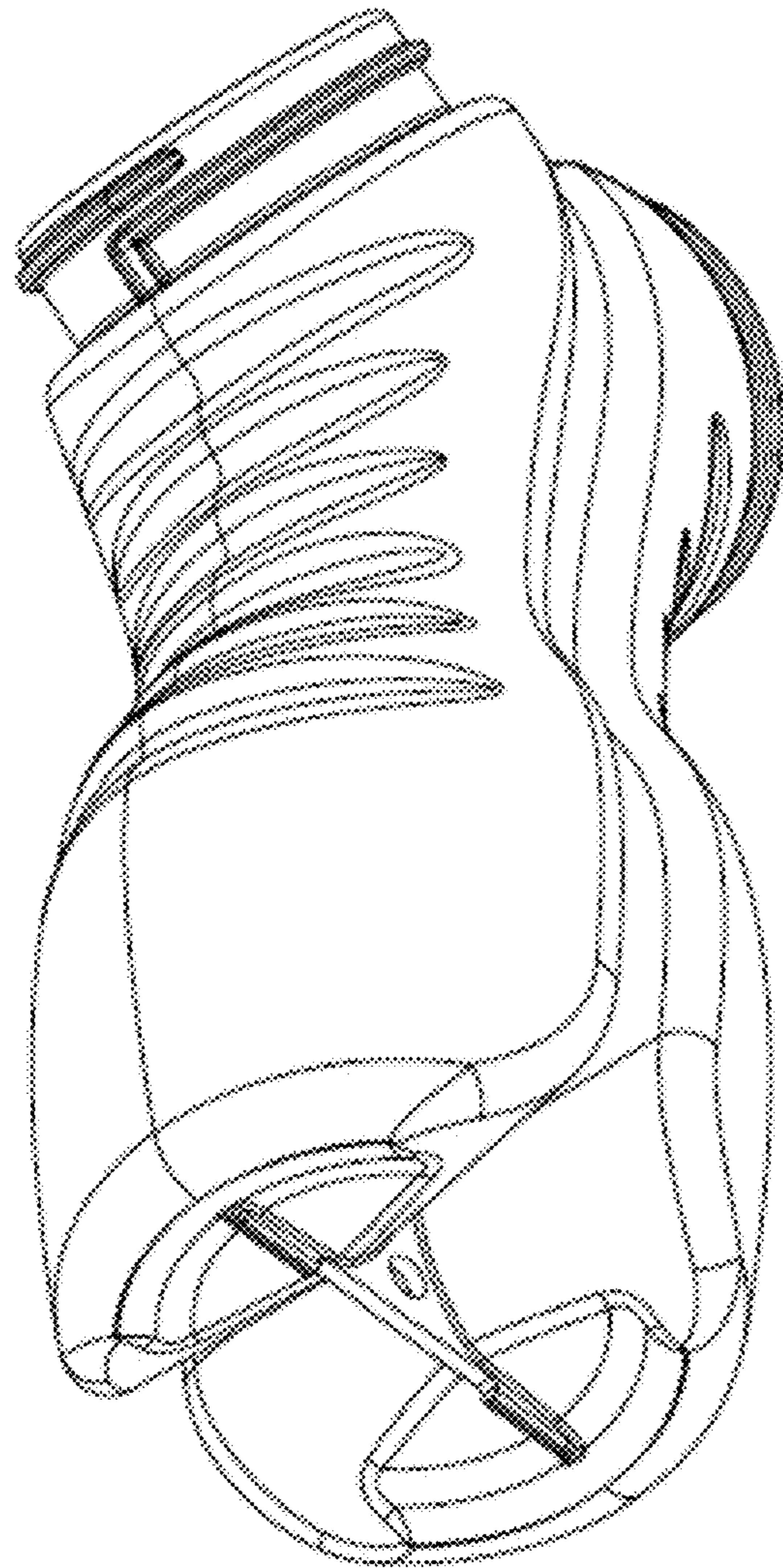


FIG. 11