



US00D895361S

(12) **United States Design Patent**  
**Wang et al.**

(10) **Patent No.:** **US D895,361 S**  
(45) **Date of Patent:** **\*\* Sep. 8, 2020**

(54) **WATER BOTTLE**

(71) Applicant: **SHEN ZHEN QUICK FIT PLASTIC CO., LTD.**, Shenzhen (CN)

(72) Inventors: **Qi Wang**, Shenzhen (CN); **Hui Kang**, Shenzhen (CN)

(\*\*) Term: **15 Years**

(21) Appl. No.: **29/727,023**

(22) Filed: **Mar. 7, 2020**

(30) **Foreign Application Priority Data**

Nov. 5, 2019 (CN) ..... 2019 3 0607039

(51) **LOC (12) Cl.** ..... **07-01**

(52) **U.S. Cl.**  
USPC ..... **D7/510; D7/511**

(58) **Field of Classification Search**  
USPC ..... D7/507, 509, 510, 511, 529, 531, 532, D7/523, 533, 534, 535, 536, 392.1, 296.1, D7/396.2; D9/531, 503, 516, 517, 435; D3/202  
CPC ..... A47G 19/22; A47G 19/2288; A47G 19/2205; A47G 19/2266; A45F 3/16  
See application file for complete search history.

(56) **References Cited**

**U.S. PATENT DOCUMENTS**

D370,153 S \* 5/1996 Chaney ..... D7/503  
D518,335 S \* 4/2006 Naft ..... A47G 19/2266  
D7/320

D757,495 S \* 5/2016 Parker ..... D7/507  
D807,110 S 1/2018 Lown  
D807,701 S \* 1/2018 Bo ..... D7/507  
D830,783 S \* 10/2018 Diener ..... D7/608  
D838,138 S \* 1/2019 Yao ..... D7/507  
D856,757 S \* 8/2019 Seiders ..... D7/608  
D875,479 S 2/2020 Seiders et al.

\* cited by examiner

*Primary Examiner* — Jae Liang

(74) *Attorney, Agent, or Firm* — Erson IP (Nelson IP)

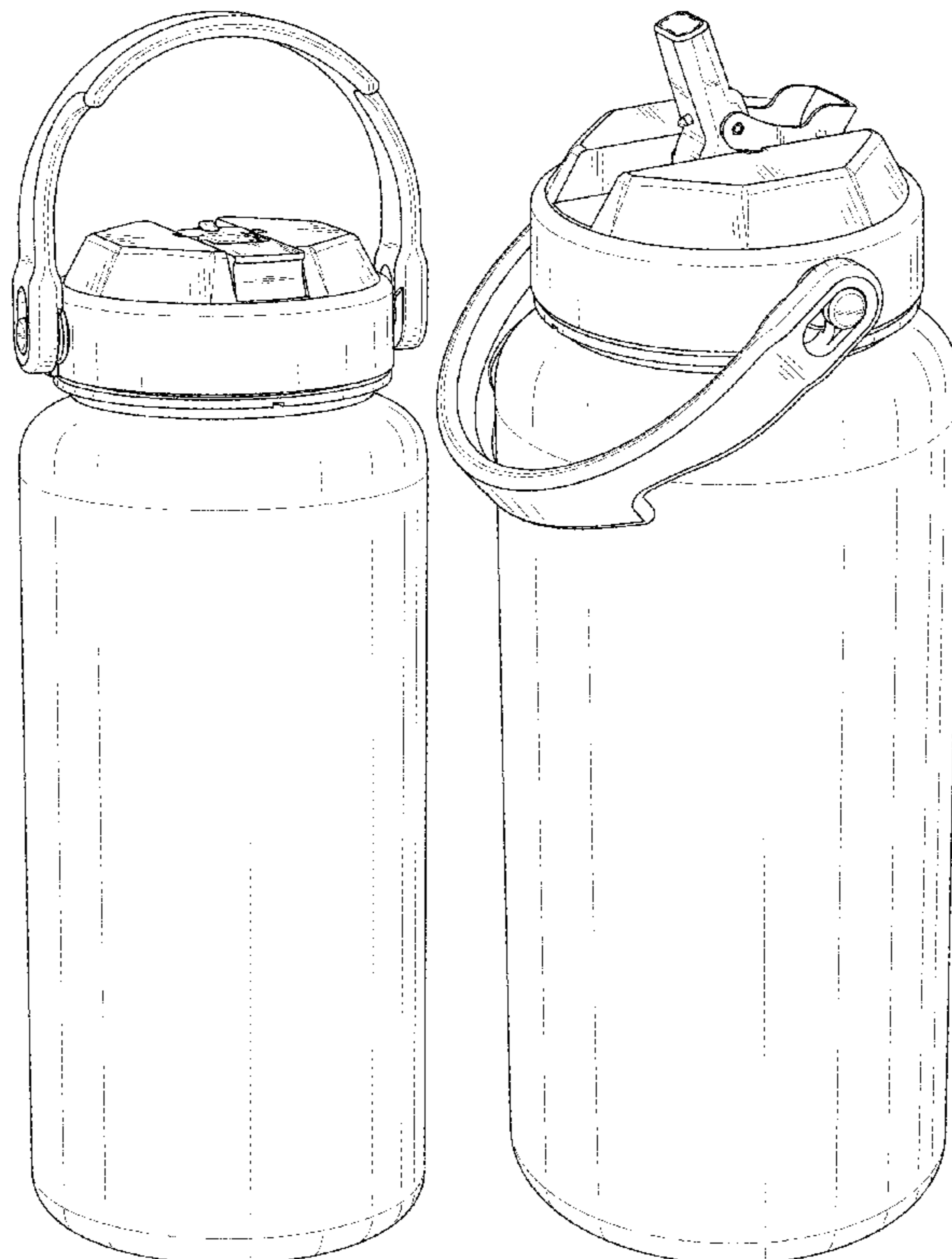
(57) **CLAIM**

The ornamental design for a water bottle, as shown and described.

**DESCRIPTION**

FIG. 1 is a perspective view of a water bottle showing our new design;  
FIG. 2 is a perspective view in its open position;  
FIG. 3 is a front view thereof;  
FIG. 4 is a rear view thereof;  
FIG. 5 is a left side view thereof;  
FIG. 6 is a right side view thereof;  
FIG. 7 is a top plan view thereof;  
FIG. 8 is a bottom plan view thereof; and,  
FIG. 9 is a right side view thereof in its open position.  
The broken lines are for the purposes of illustrating portions of the water bottle and form no part of the claimed design.

**1 Claim, 9 Drawing Sheets**



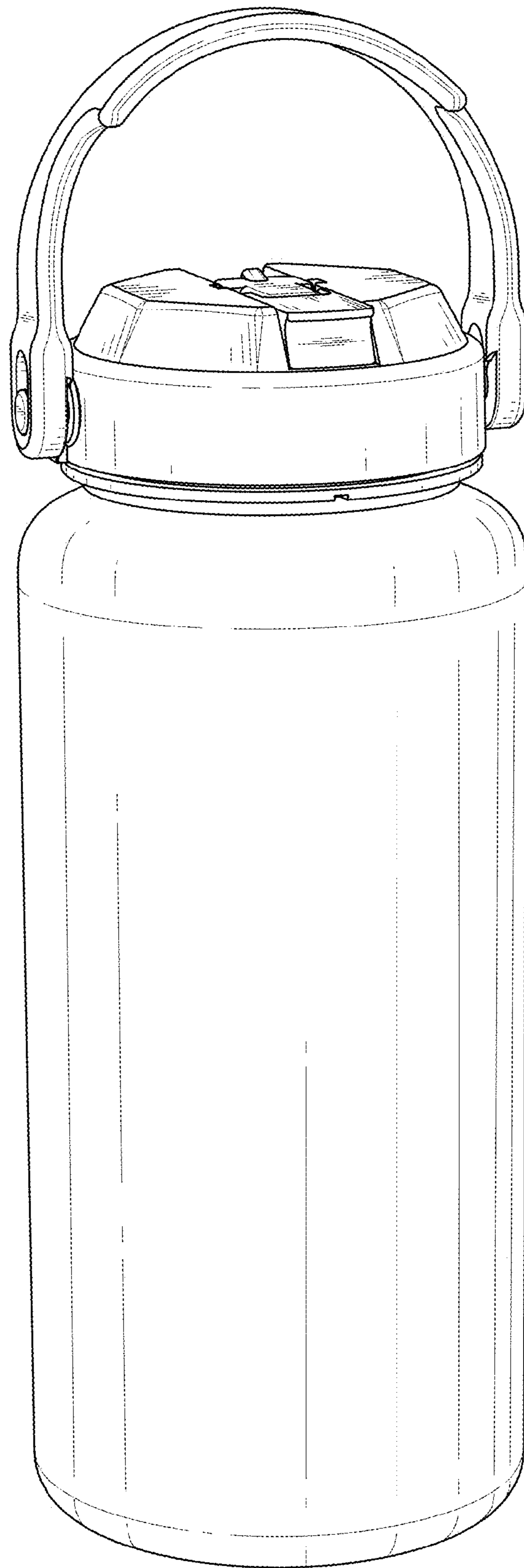


FIG. 1

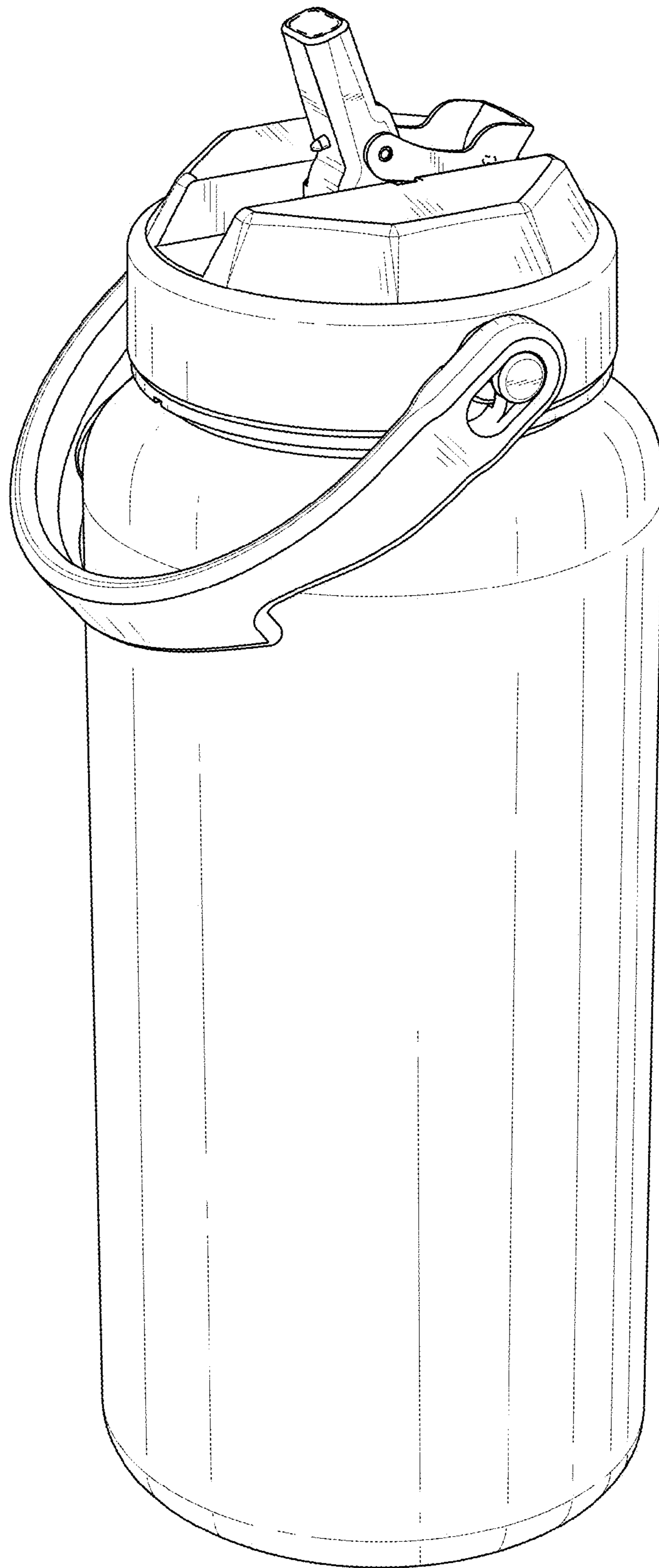


FIG. 2

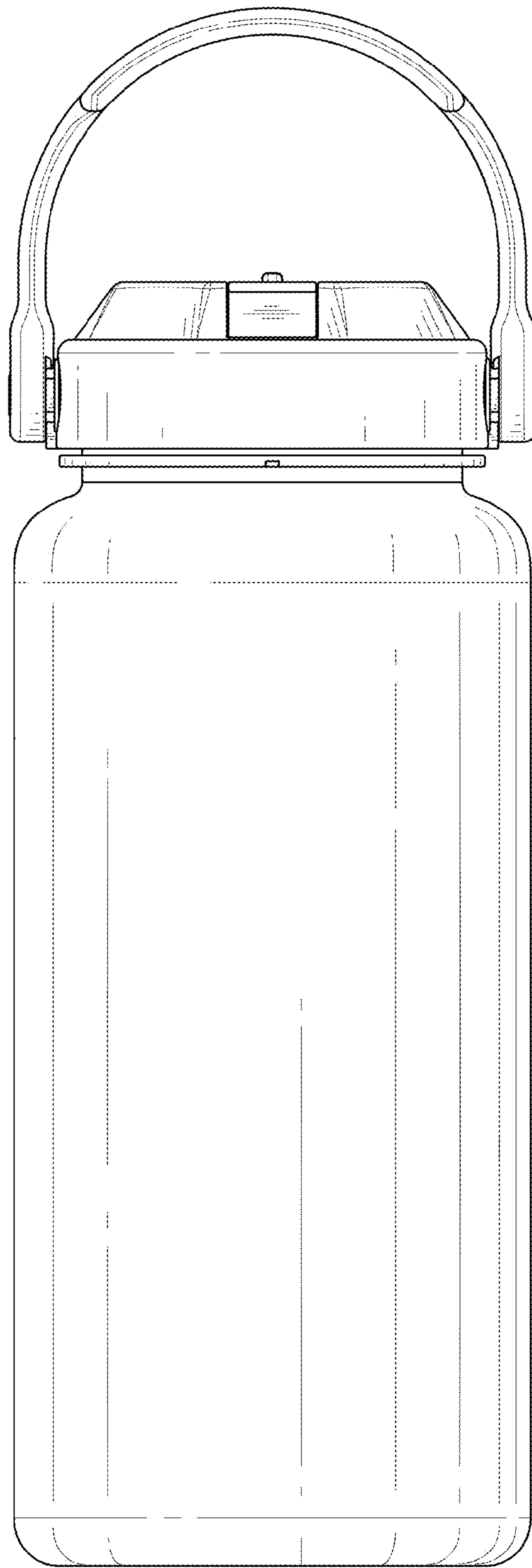


FIG. 3

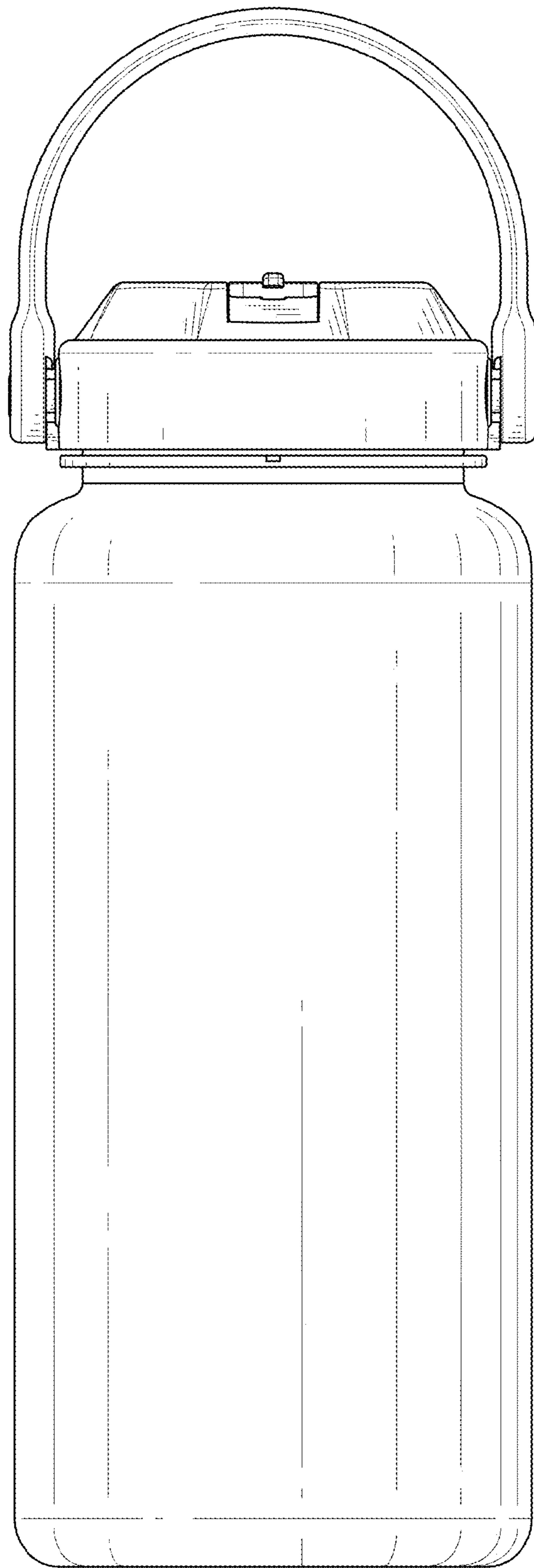


FIG. 4

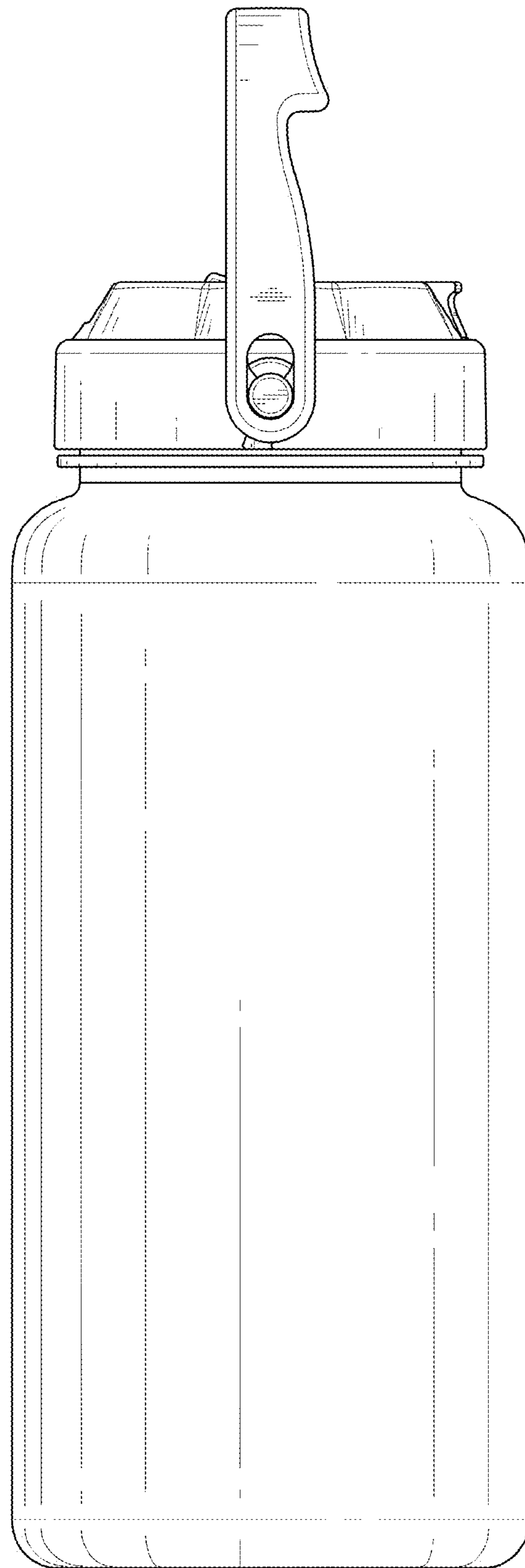


FIG. 5

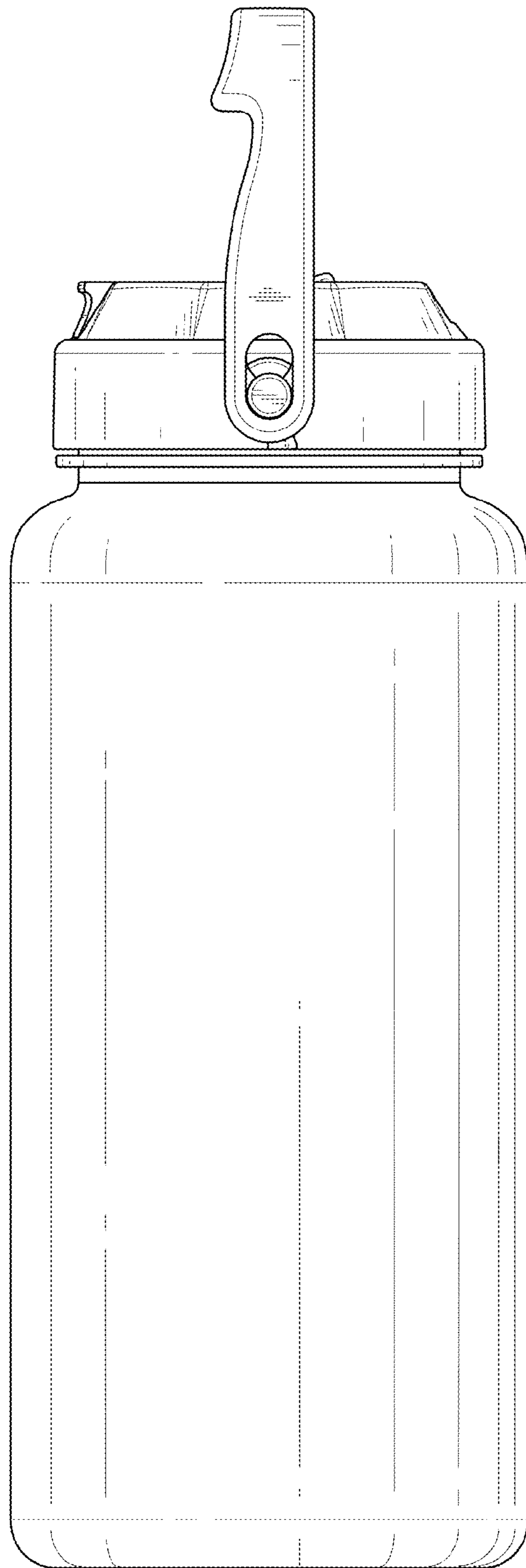


FIG. 6

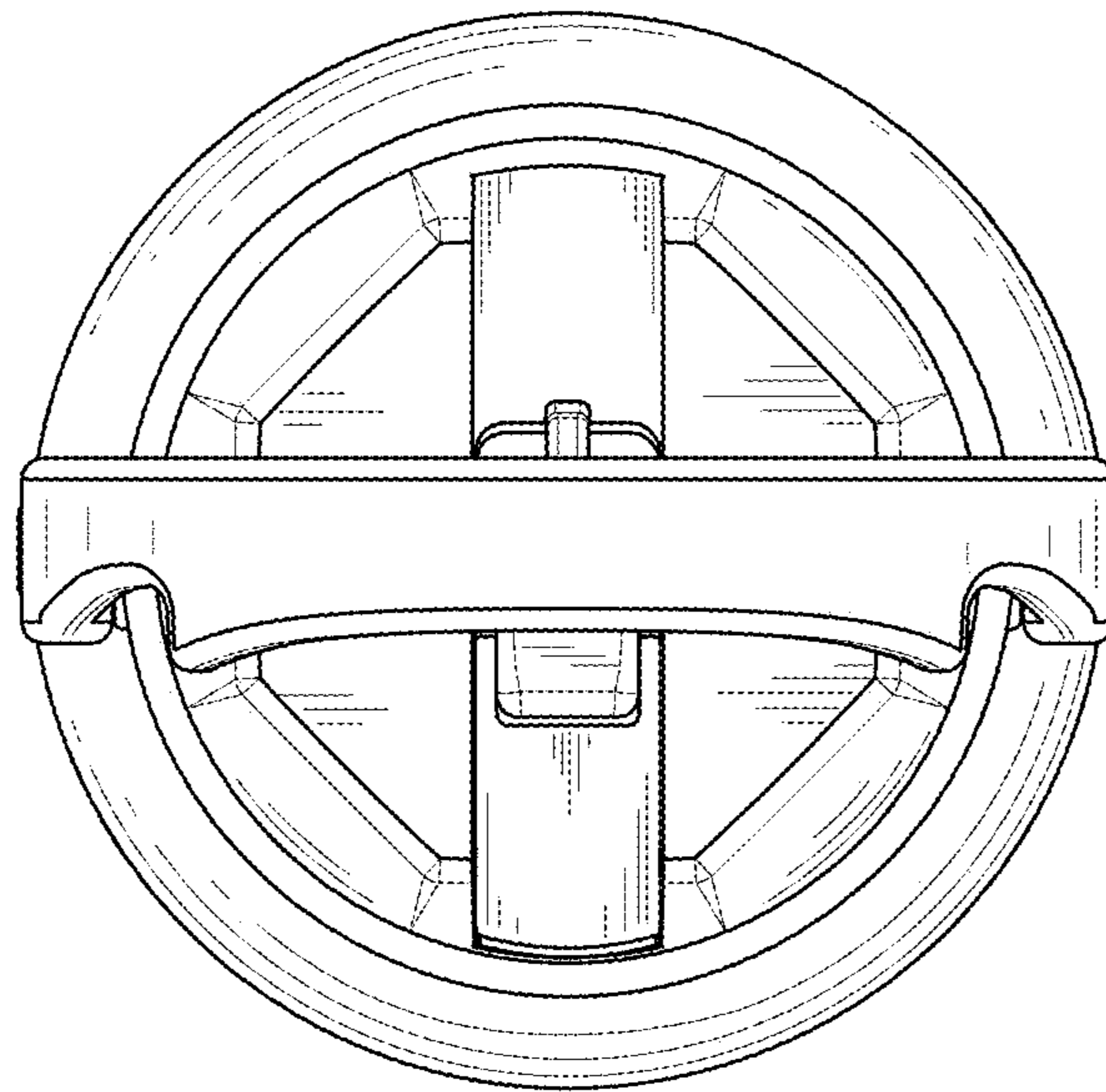


FIG. 7



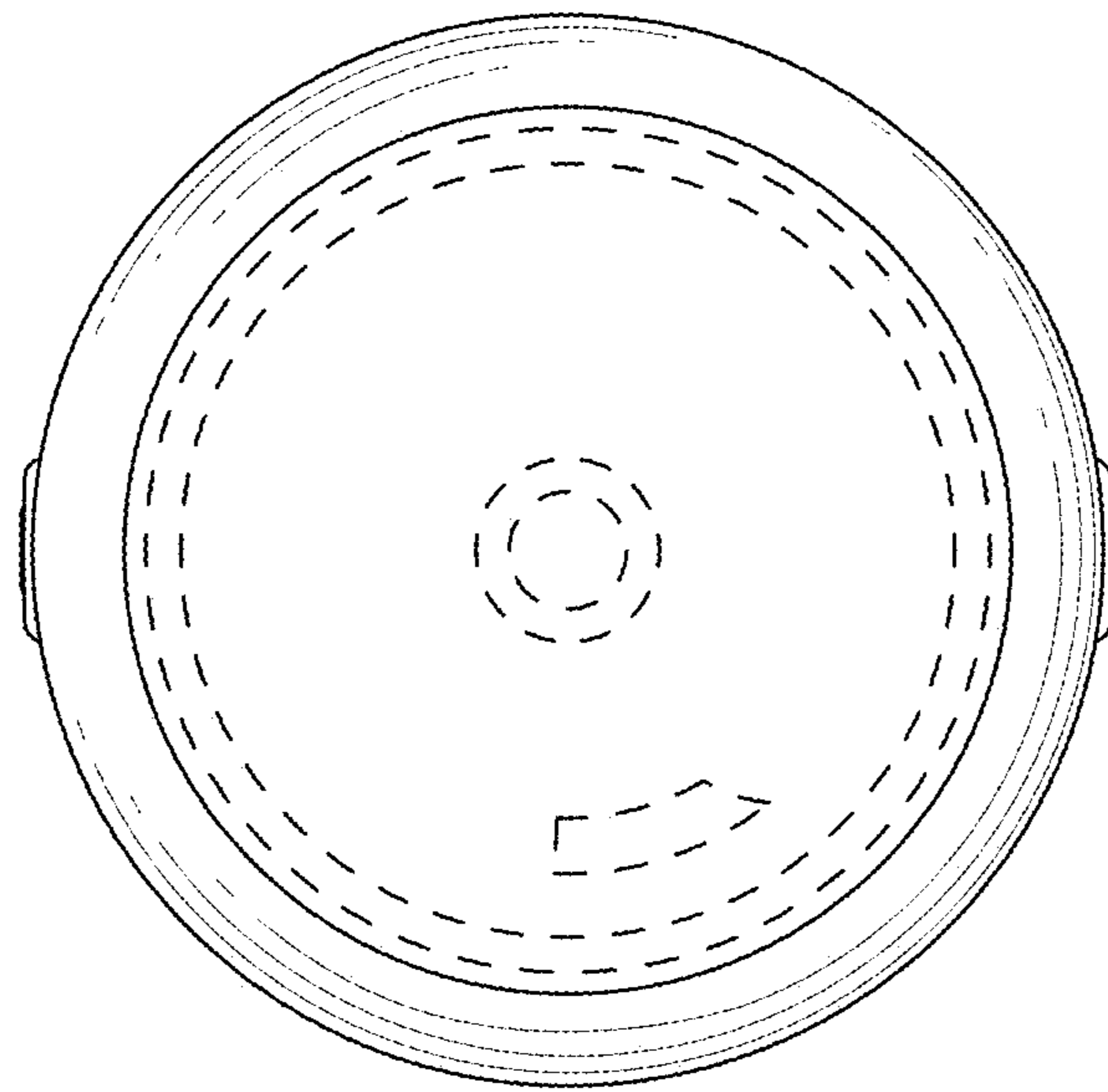


FIG. 8

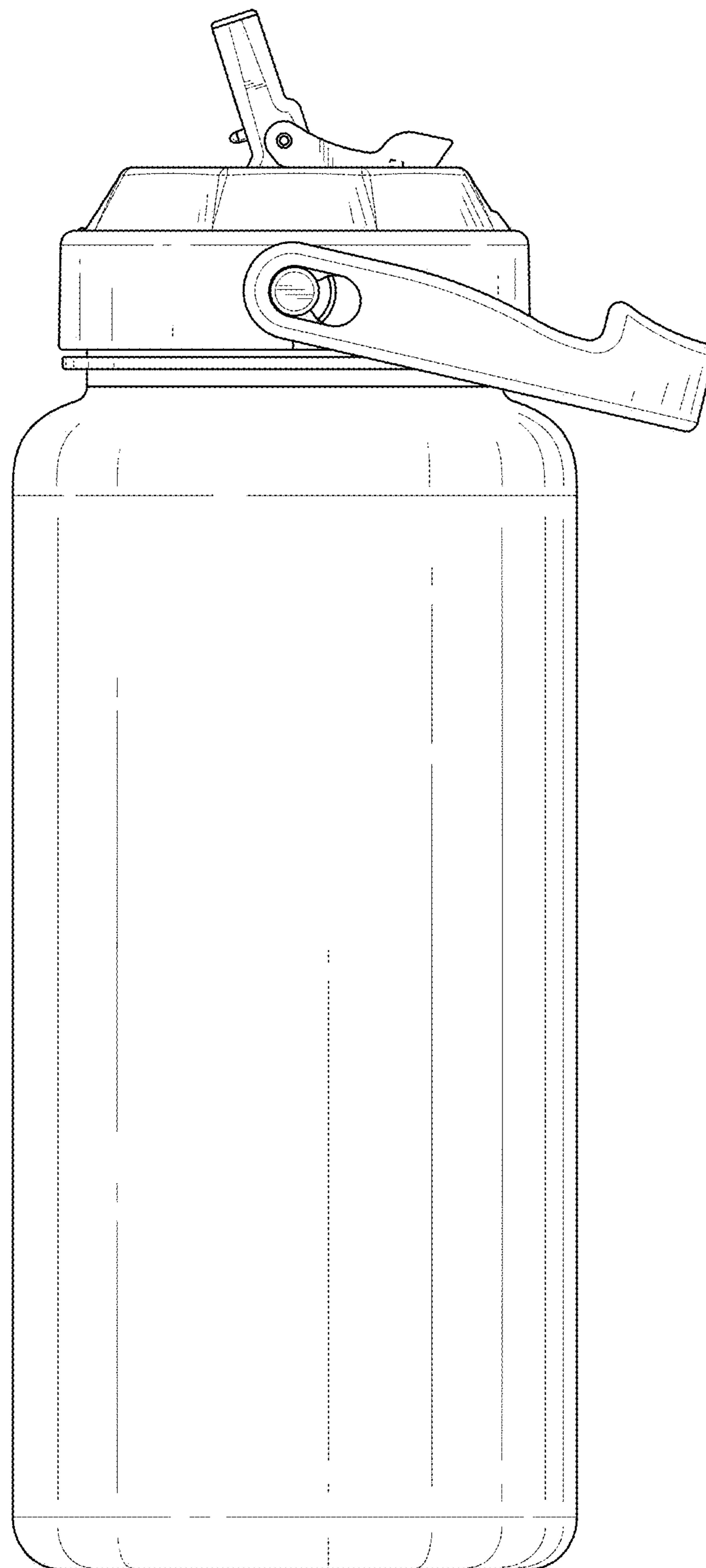


FIG. 9