



US00D895359S

(12) **United States Design Patent** (10) **Patent No.:** **US D895,359 S**
Julian (45) **Date of Patent:** **** Sep. 8, 2020**

(54) **CUTTER FOR FOOD PRODUCTS**
(71) Applicant: **Lamb Weston, Inc.**, Eagle, ID (US)
(72) Inventor: **John Julian**, Richland, WA (US)
(73) Assignee: **Lamb Weston, Inc.**, Eagle, ID (US)
(**) Term: **15 Years**

(21) Appl. No.: **29/669,831**
(22) Filed: **Nov. 12, 2018**
(51) **LOC (12) Cl.** **31-00**
(52) **U.S. Cl.**
USPC **D7/412; D7/376; D7/383; D7/384;**
D7/385

(58) **Field of Classification Search**
USPC D1/120, 125; D7/372, 376-387,
D7/412-413, 602, 629, 665-666, 669,
D7/679, 693-694
CPC ... A21C 1/02; A21C 1/04; A23L 19/14; A23L
19/18; A23N 1/00; A23N 1/02; A23P
30/10; A47J 43/04; A47J 43/25; A47J
43/27; A47J 43/042; A47J 43/044; A47J
43/046; A47J 43/075; A47J 43/0722;
A47J 43/0727; B01F 3/00; B01F 3/0807;
B01F 3/0853; B01F 13/0059; B01F
13/0064; B02C 1/08; B02C 2/04; B02C
4/42; B02C 4/142; B02C 4/143; B02C
4/423; B02C 13/1835; B28C 5/10; B28C
5/12; B28C 5/14; B28C 5/16; B26D 1/03;
B26D 1/0006; B26D 3/22; B26D 7/0658;
B26D 7/2614

See application file for complete search history.

(56) **References Cited**

U.S. PATENT DOCUMENTS

2,769,714 A * 11/1956 Stahmer A23L 19/14
426/144
D239,215 S * 3/1976 Miller D1/120

(Continued)

Primary Examiner — Ricky Pham
(74) *Attorney, Agent, or Firm* — Ryan T. Grace; Advent,
LLP

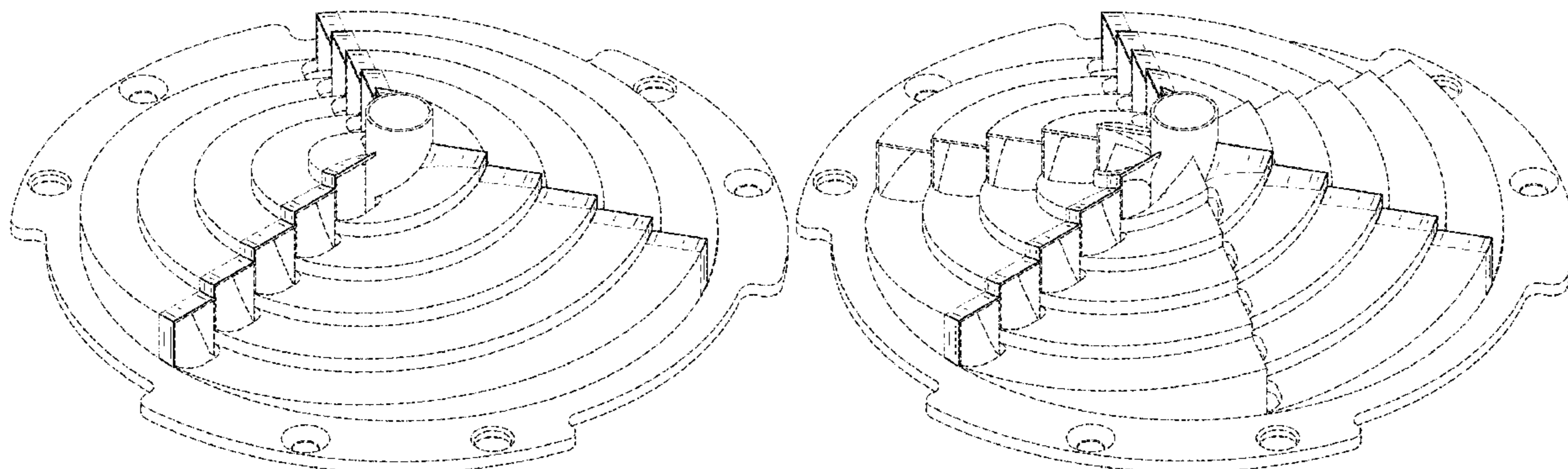
(57) **CLAIM**

The ornamental design for a cutter for food products, as shown and described.

DESCRIPTION

FIG. 1 is a top plan view of a cutter for food products.
FIG. 2 is a front elevation view of the cutter for food products of FIG. 1.
FIG. 3 is a rear elevation view of the cutter for food products of FIG. 1.
FIG. 4 is a left side elevation view of the cutter for food products of FIG. 1.
FIG. 5 is a right side elevation view of the cutter for food products of FIG. 1.
FIG. 6 is an isometric view of the cutter for food products of FIG. 1.
FIG. 7 is another isometric view of the cutter for food products of FIG. 1.
FIG. 8 is a top plan view of a cutter for food products.
FIG. 9 is a front elevation view of the cutter for food products of FIG. 1.
FIG. 10 is a rear elevation view of the cutter for food products of FIG. 1.
FIG. 11 is a left side elevation view of the cutter for food products of FIG. 1.
FIG. 12 is a right side elevation view of the cutter for food products of FIG. 1.
FIG. 13 is an isometric view of the cutter for food products of FIG. 1; and,
FIG. 14 is another isometric view of the cutter for food products of FIG. 1.
Portions of FIGS. 1 through 14 are shown in broken lines and dash-dot-dash boundary lines illustrating portions of the article that form no part of the claimed design.

1 Claim, 14 Drawing Sheets



(56)

References Cited

U.S. PATENT DOCUMENTS

4,367,667 A *	1/1983	Shibata	B26D 3/22	241/92	5,896,801 A *	4/1999	Jacko	B26D 3/22	83/356.3
4,511,586 A *	4/1985	Fitzwater	B26D 3/22	426/144	6,725,765 B1 *	4/2004	Mendenhall	B26D 1/0006	83/402
D285,740 S *	9/1986	Watanabe	D1/106		D495,852 S *	9/2004	Barber	426/144	
4,650,684 A *	3/1987	Penrose	A23L 19/18	426/144	7,096,771 B2 *	8/2006	Mendenhall	B26D 1/0006	83/402
4,855,151 A *	8/1989	Fielding	A23L 19/18	426/144	7,513,450 B2 *	4/2009	Young	B26D 1/0006	241/282.1
4,937,084 A *	6/1990	Julian	B26D 1/03	426/144	D679,140 S *	4/2013	Faram	D7/376	
5,009,141 A *	4/1991	Julian	B26D 1/0006	83/402	D701,087 S *	3/2014	Audette	D7/376	
5,058,478 A *	10/1991	Mendenhall	B26D 1/0006	83/402	8,939,055 B2 *	1/2015	Bomont	B26D 7/0658	83/13
5,095,875 A *	3/1992	Morris	B26D 1/0006	83/403	9,592,618 B2 *	3/2017	Reis	B26D 7/2614	
5,293,803 A *	3/1994	Foster	B26D 1/0006	83/356.3	9,840,015 B2 *	12/2017	King	B26D 1/03	
						9,943,978 B2 *	4/2018	Walker	A23P 30/10	

* cited by examiner

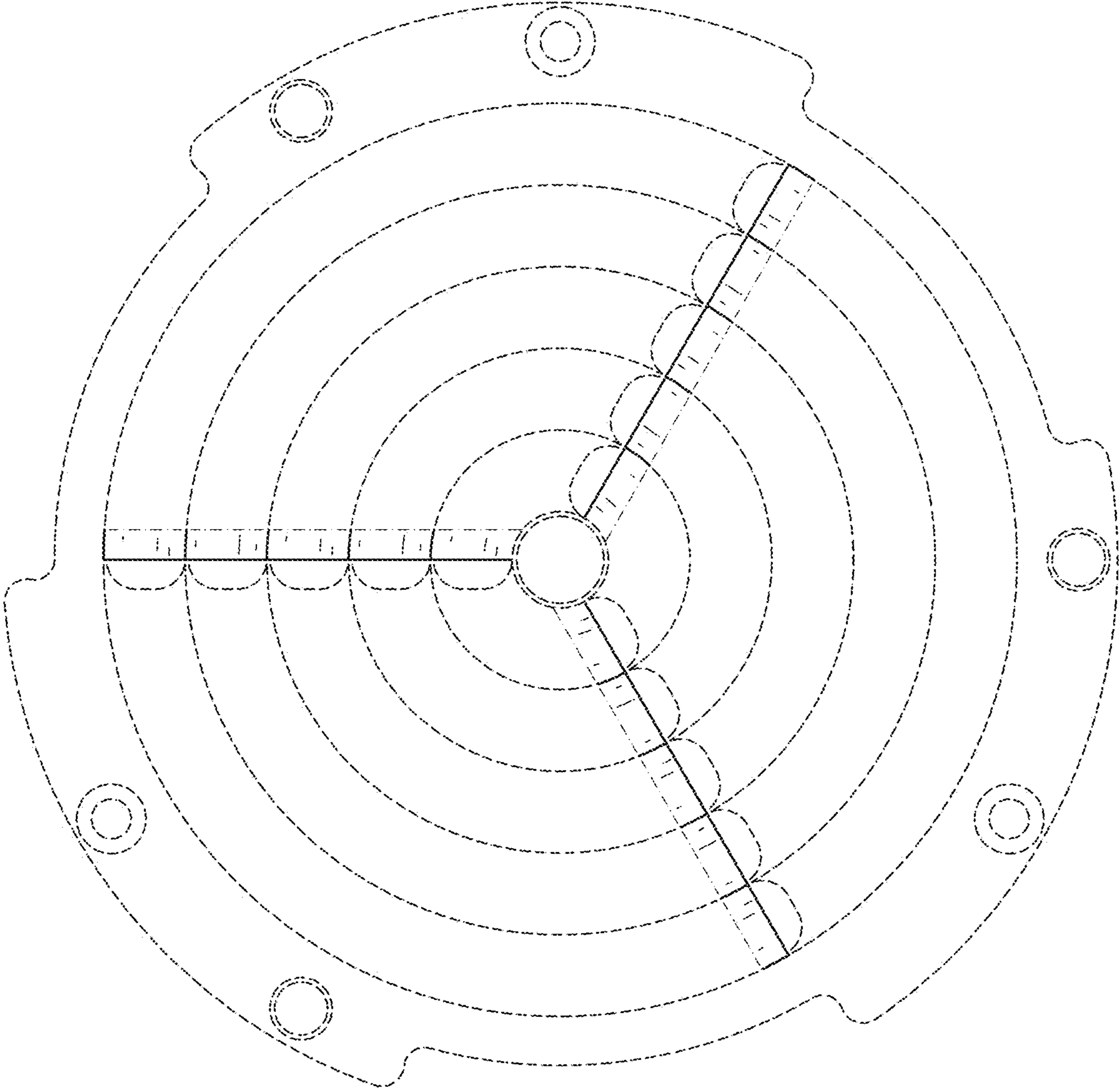


FIG. 1

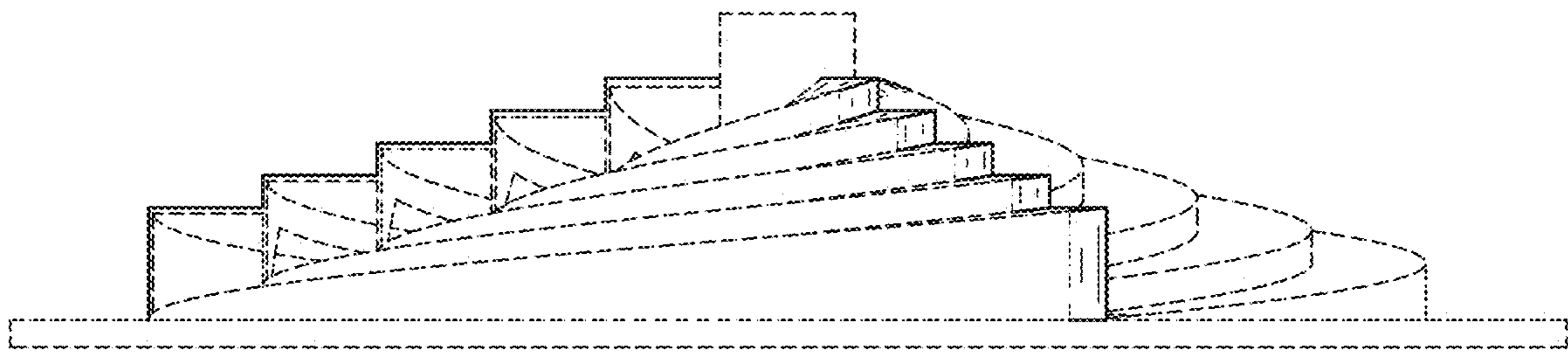


FIG. 2

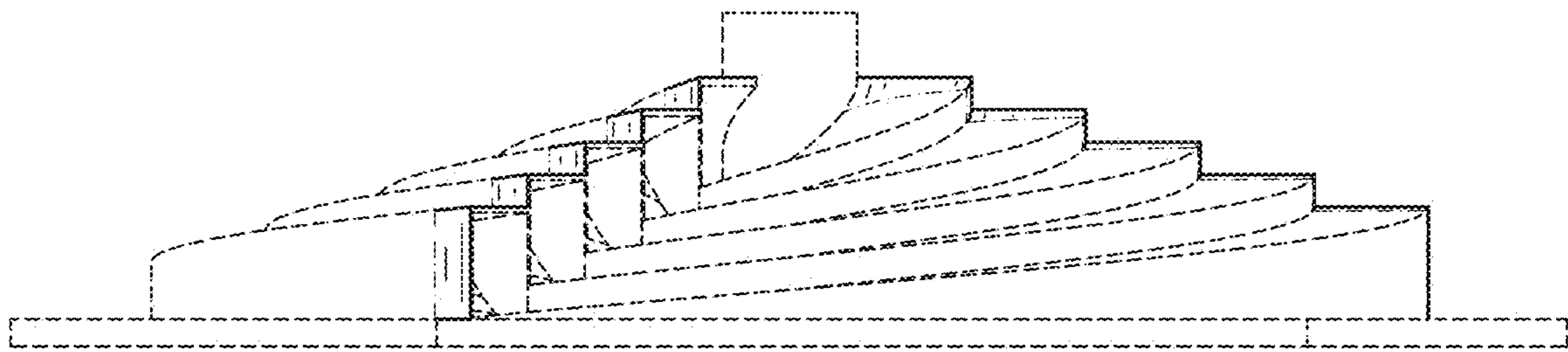


FIG. 3

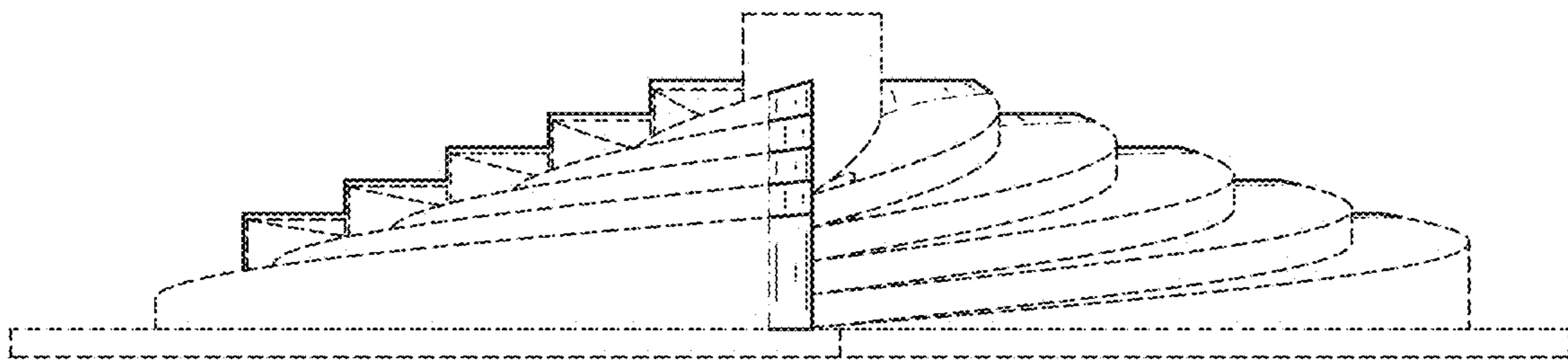


FIG. 4

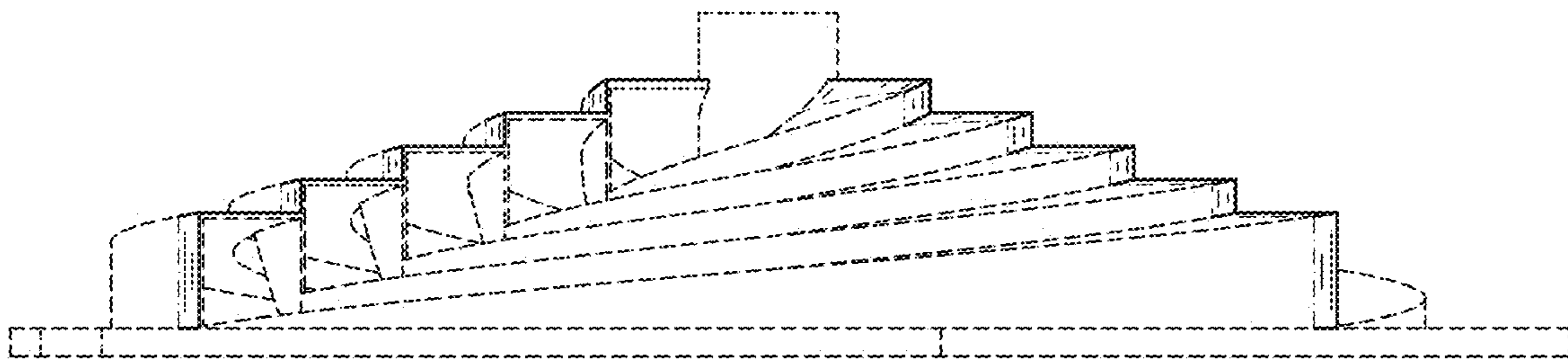


FIG. 5

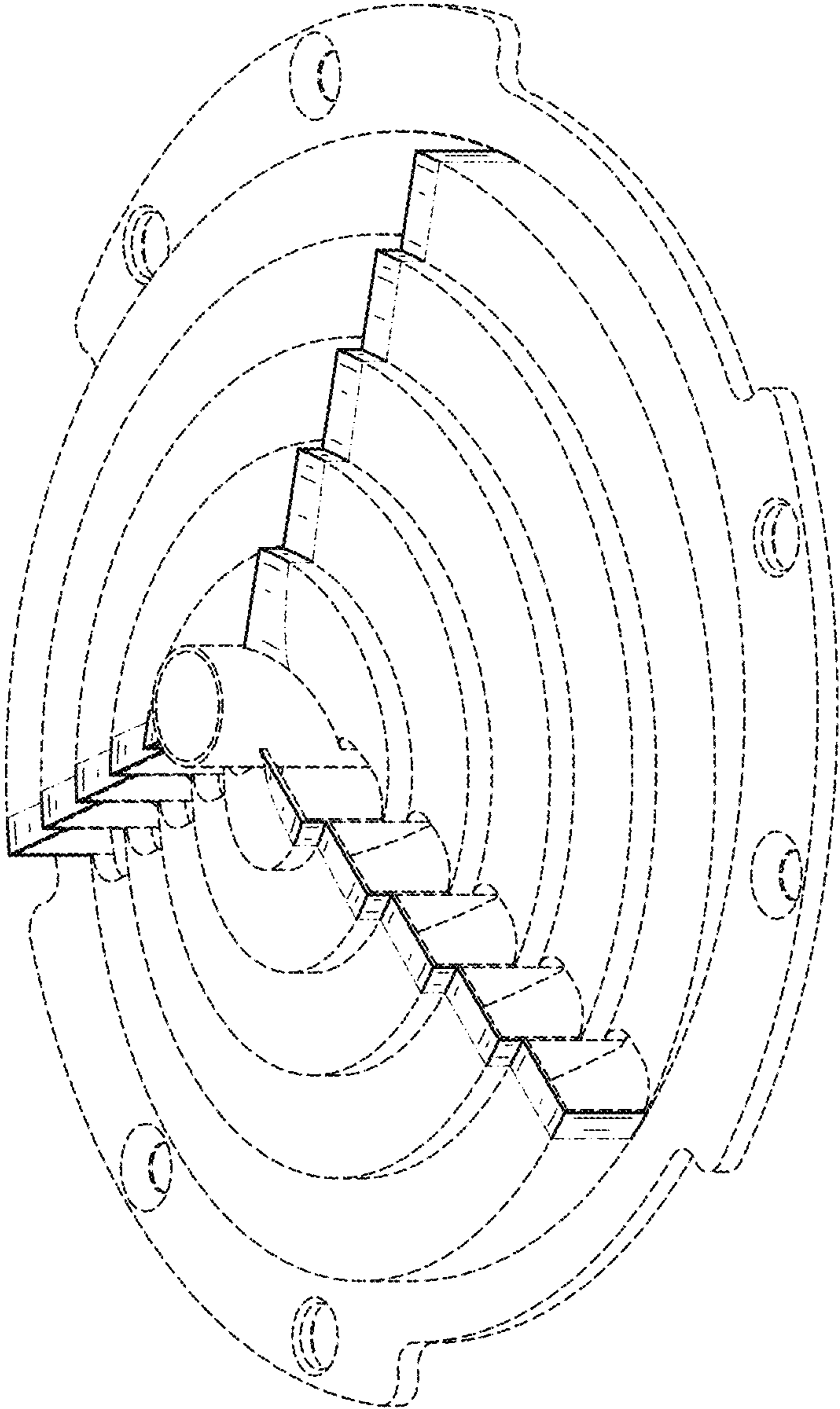


FIG. 6

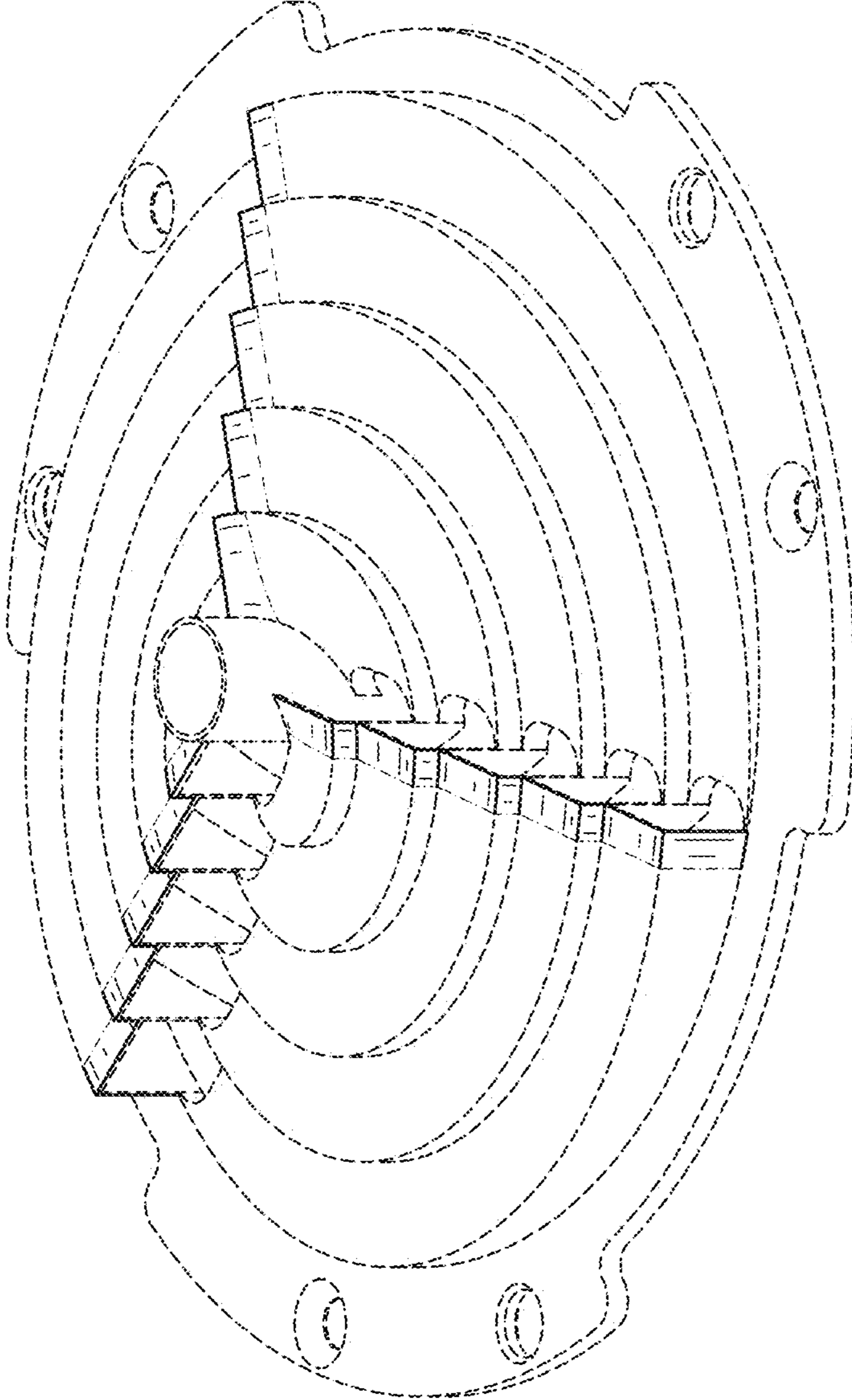


FIG. 7

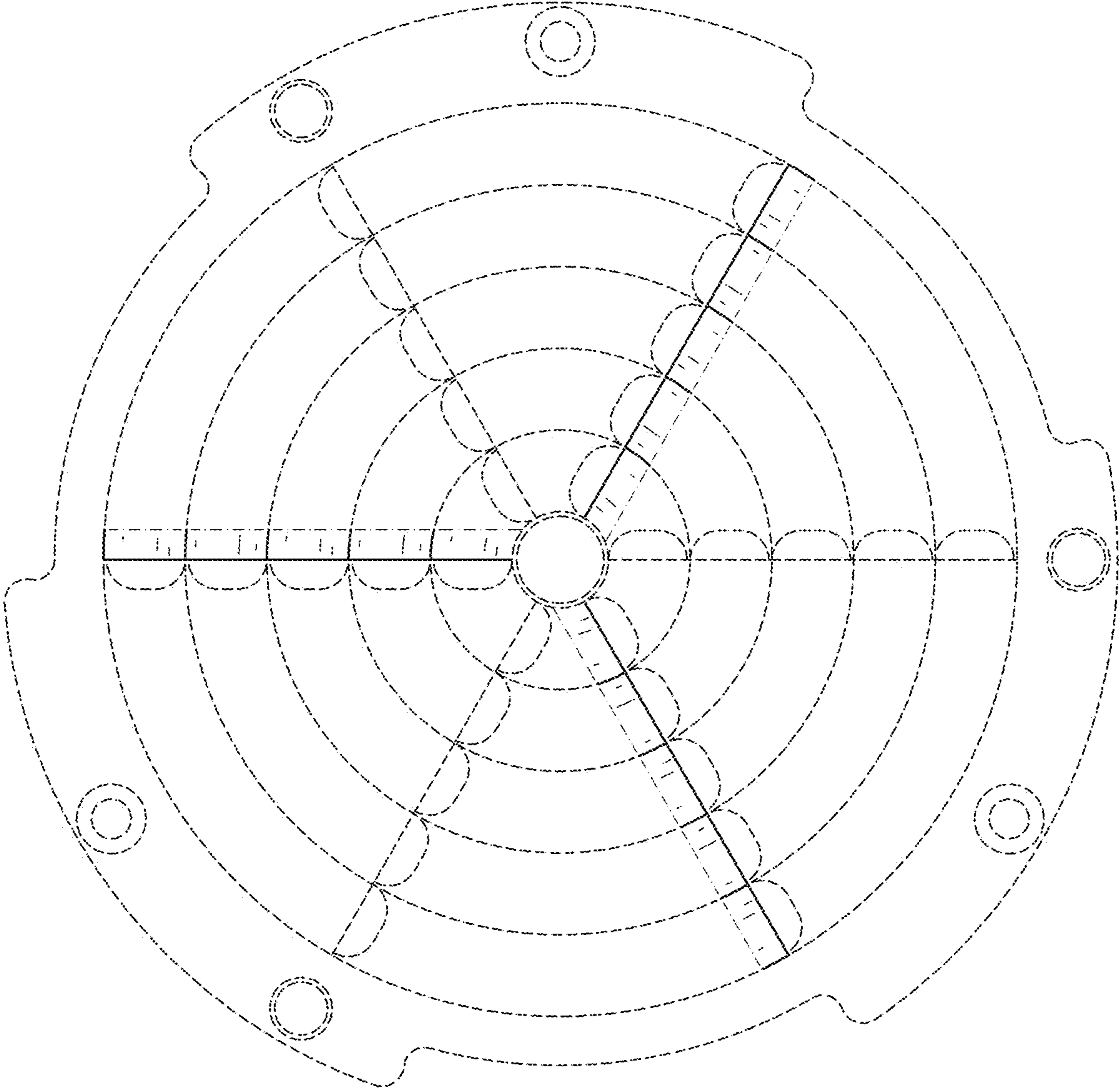


FIG. 8

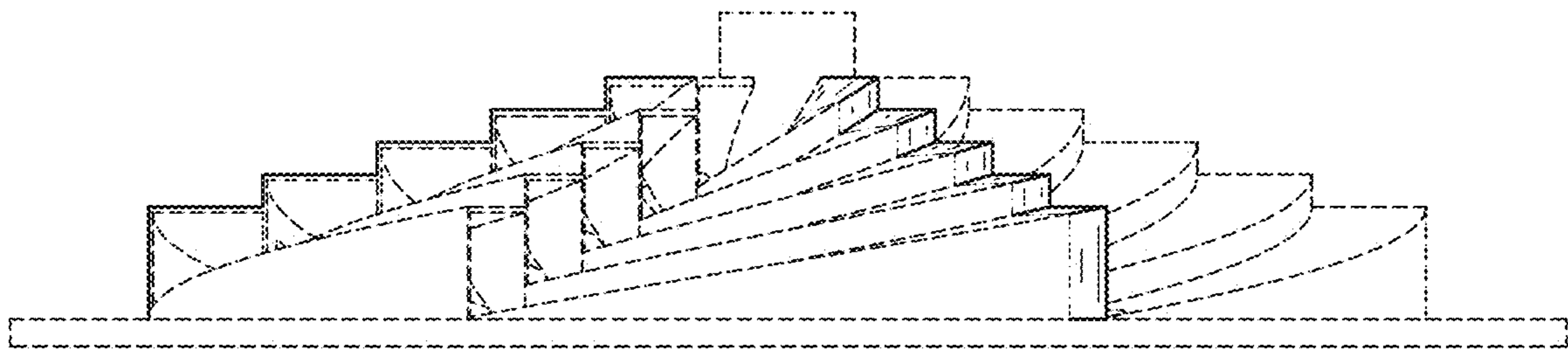


FIG. 9

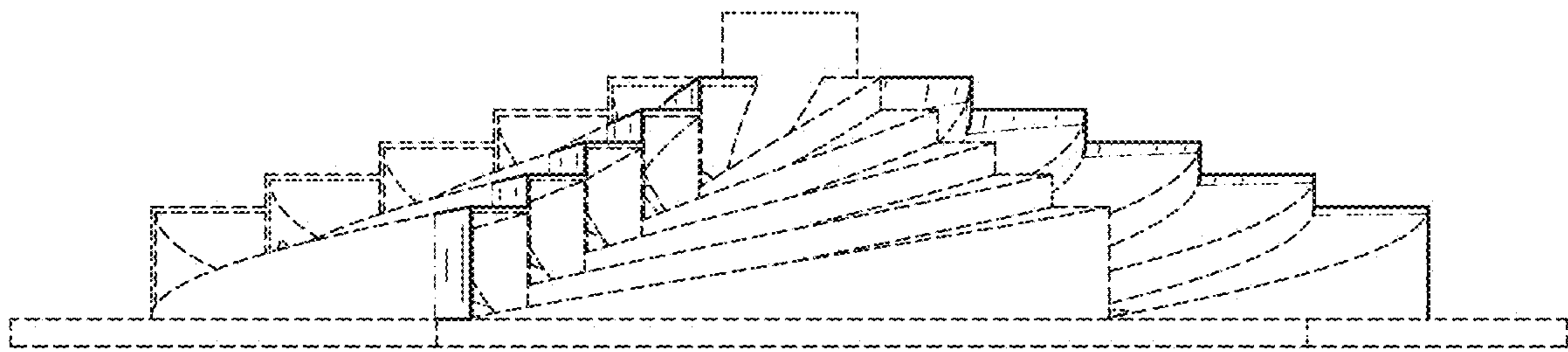


FIG. 10

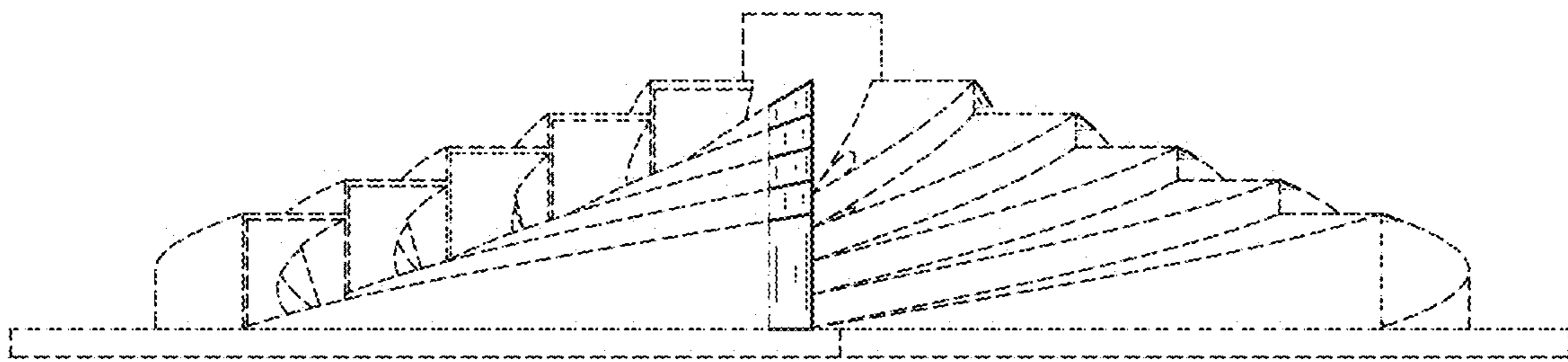


FIG. 11

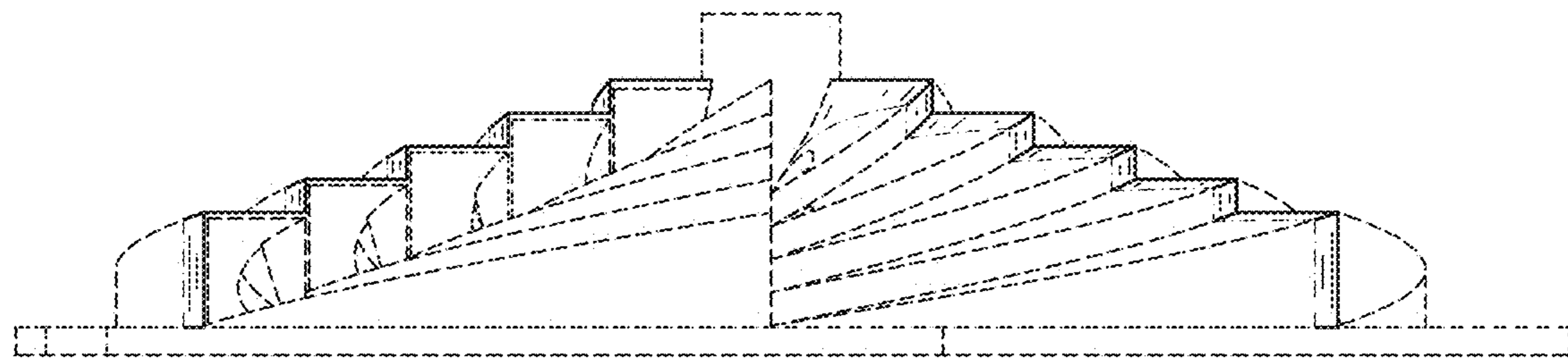


FIG. 12

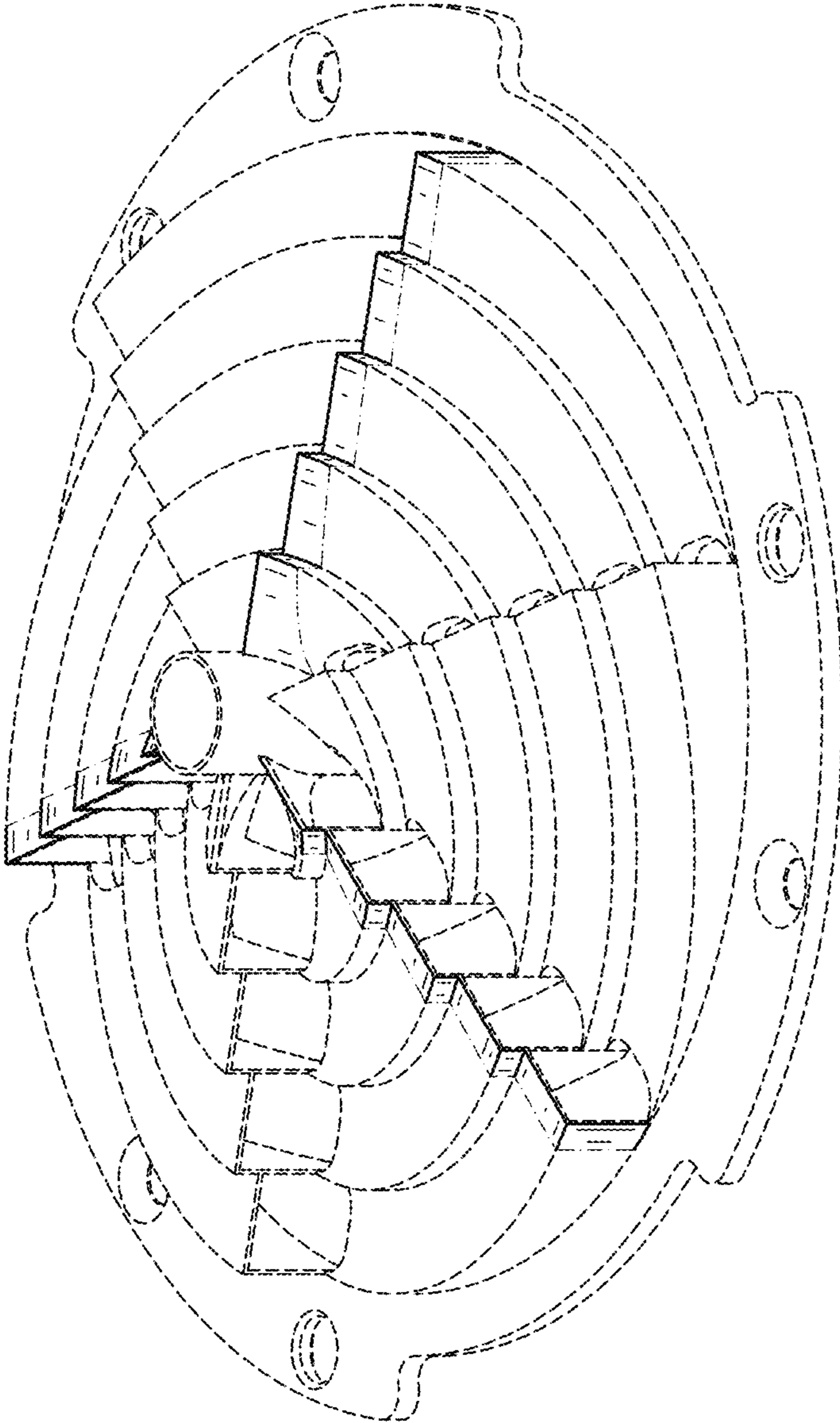


FIG. 13

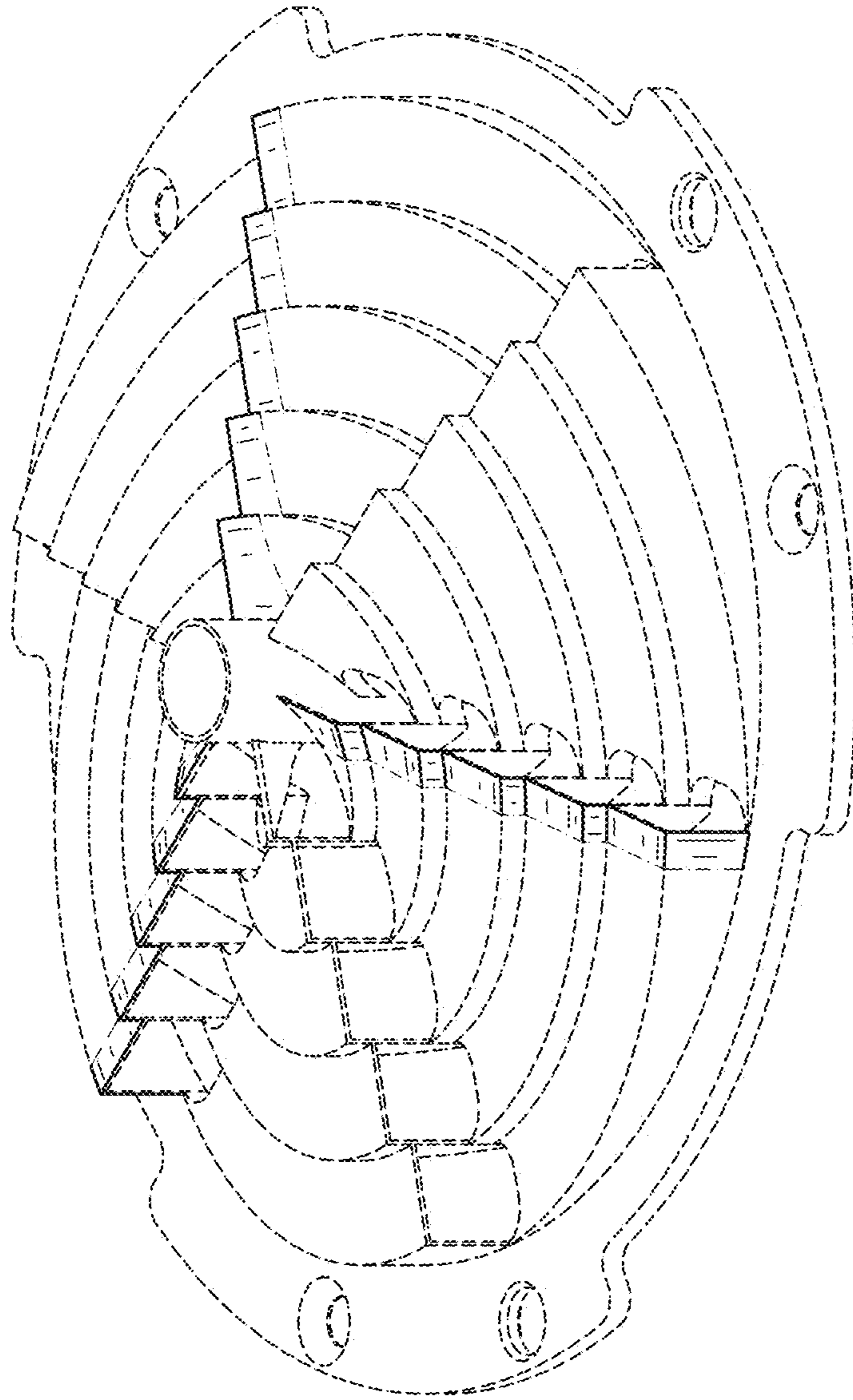


FIG. 14