



US00D895358S

(12) **United States Design Patent**
Julian

(10) **Patent No.:** **US D895,358 S**

(45) **Date of Patent:** **** Sep. 8, 2020**

- (54) **CUTTER FOR FOOD PRODUCTS**
- (71) Applicant: **Lamb Weston, Inc.**, Eagle, ID (US)
- (72) Inventor: **John Julian**, Richland, WA (US)
- (73) Assignee: **Lamb Weston, Inc.**, Eagle, ID (US)
- (**) Term: **15 Years**

- (21) Appl. No.: **29/669,812**
- (22) Filed: **Nov. 12, 2018**
- (51) **LOC (12) Cl.** **31-00**
- (52) **U.S. Cl.**
USPC **D7/412; D7/376; D7/383; D7/384;**
D7/385

- (58) **Field of Classification Search**
USPC D1/120, 125; D7/372, 376-387,
D7/412-413, 602, 629, 665-666, 669,
D7/679, 693-694
CPC ... A21C 1/02; A21C 1/04; A23L 19/14; A23L
19/18; A23N 1/00; A23N 1/02; A23P
30/10; A47J 43/04; A47J 43/25; A47J
43/27; A47J 43/042; A47J 43/044; A47J
43/046; A47J 43/075; A47J 43/0722;
A47J 43/0727; B01F 3/00; B01F 3/0807;
B01F 3/0853; B01F 13/0059; B01F
13/0064; B02C 1/08; B02C 2/04; B02C
4/42; B02C 4/142; B02C 4/143; B02C
4/423; B02C 13/1835; B28C 5/10; B28C
5/12; B28C 5/14; B28C 5/16; B26D 1/03;
B26D 1/0006; B26D 3/22; B26D 7/0658;
B26D 7/2614

See application file for complete search history.

(56) **References Cited**

U.S. PATENT DOCUMENTS

- 2,769,714 A * 11/1956 Stahmer A23L 19/14
426/144
- D239,215 S * 3/1976 Miller D1/120

(Continued)

Primary Examiner — Ricky Pham
(74) *Attorney, Agent, or Firm* — Ryan T. Grace; Advent, LLP

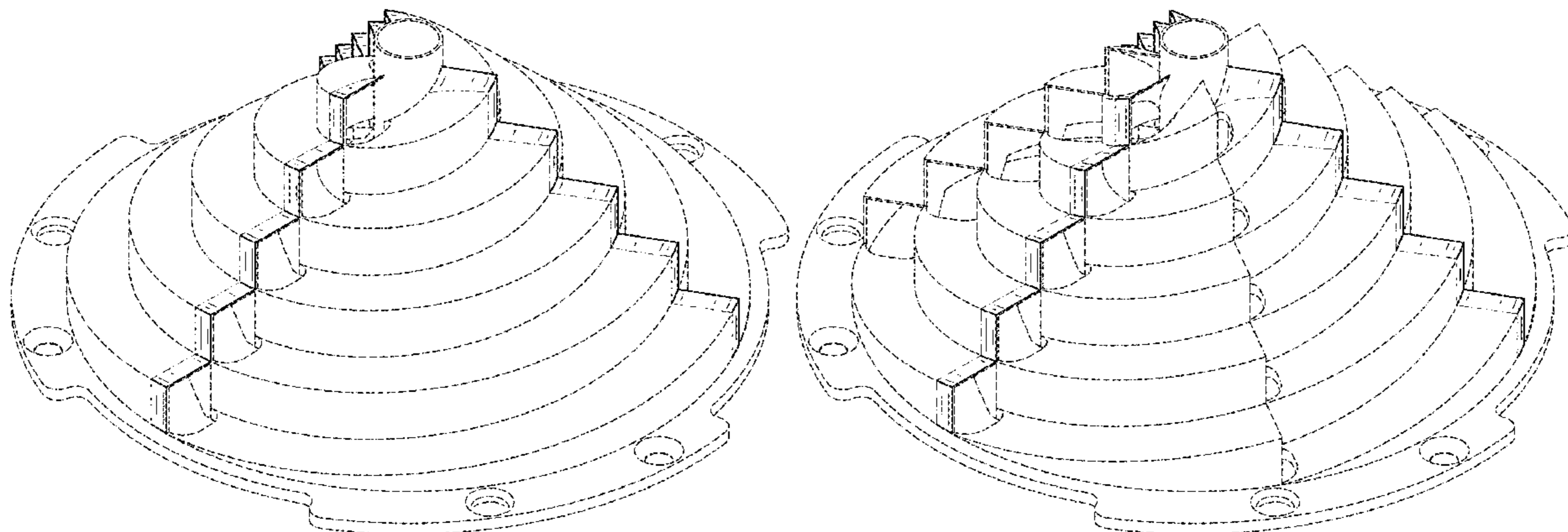
(57) **CLAIM**

The ornamental design for a cutter for food products, as shown and described.

DESCRIPTION

FIG. 1 is a top plan view of a cutter for food products.
 FIG. 2 is a front elevation view of the cutter for food products of FIG. 1.
 FIG. 3 is a rear elevation view of the cutter for food products of FIG. 1.
 FIG. 4 is a left side elevation view of the cutter for food products of FIG. 1.
 FIG. 5 is a right side elevation view of the cutter for food products of FIG. 1.
 FIG. 6 is an isometric view of the cutter for food products of FIG. 1.
 FIG. 7 is another isometric view of the cutter for food products of FIG. 1.
 FIG. 8 is a top plan view of a cutter for food products.
 FIG. 9 is a front elevation view of the cutter for food products of FIG. 1.
 FIG. 10 is a rear elevation view of the cutter for food products of FIG. 1.
 FIG. 11 is a left side elevation view of the cutter for food products of FIG. 1.
 FIG. 12 is a right side elevation view of the cutter for food products of FIG. 1.
 FIG. 13 is an isometric view of the cutter for food products of FIG. 1; and,
 FIG. 14 is another isometric view of the cutter for food products of FIG. 1.
 Portions of FIGS. 1 through 14 are shown in broken lines and dash-dot-dash boundary lines illustrating portions of the article that form no part of the claimed design.

1 Claim, 14 Drawing Sheets



(56)

References Cited

U.S. PATENT DOCUMENTS

4,367,667 A * 1/1983 Shibata B26D 3/22
241/92
4,511,586 A * 4/1985 Fitzwater B26D 3/22
426/144
D285,740 S * 9/1986 Watanabe D1/106
4,650,684 A * 3/1987 Penrose A23L 19/18
426/144
4,855,151 A * 8/1989 Fielding A23L 19/18
426/144
4,937,084 A * 6/1990 Julian B26D 1/03
426/144
5,009,141 A * 4/1991 Julian B26D 1/0006
83/402
5,058,478 A * 10/1991 Mendenhall B26D 1/0006
83/402
5,095,875 A * 3/1992 Morris B26D 1/0006
83/403
5,293,803 A * 3/1994 Foster B26D 1/0006
83/356.3

D374,150 S * 10/1996 Lillelund D7/387
D380,885 S * 7/1997 Goll D1/125
5,655,428 A * 8/1997 Cockburn B26D 1/0006
83/402
5,896,801 A * 4/1999 Jacko B26D 3/22
83/356.3
6,725,765 B1 * 4/2004 Mendenhall B26D 1/0006
83/402
D495,852 S * 9/2004 Barber 426/144
7,096,771 B2 * 8/2006 Mendenhall B26D 1/0006
83/402
7,513,450 B2 * 4/2009 Young B26D 1/0006
241/282.1
D679,140 S * 4/2013 Faram D7/376
D701,087 S * 3/2014 Audette D7/376
8,939,055 B2 * 1/2015 Bomont B26D 7/0658
83/13
9,592,618 B2 * 3/2017 Reis B26D 7/2614
9,840,015 B2 * 12/2017 King B26D 1/03
9,943,978 B2 * 4/2018 Walker A23P 30/10

* cited by examiner

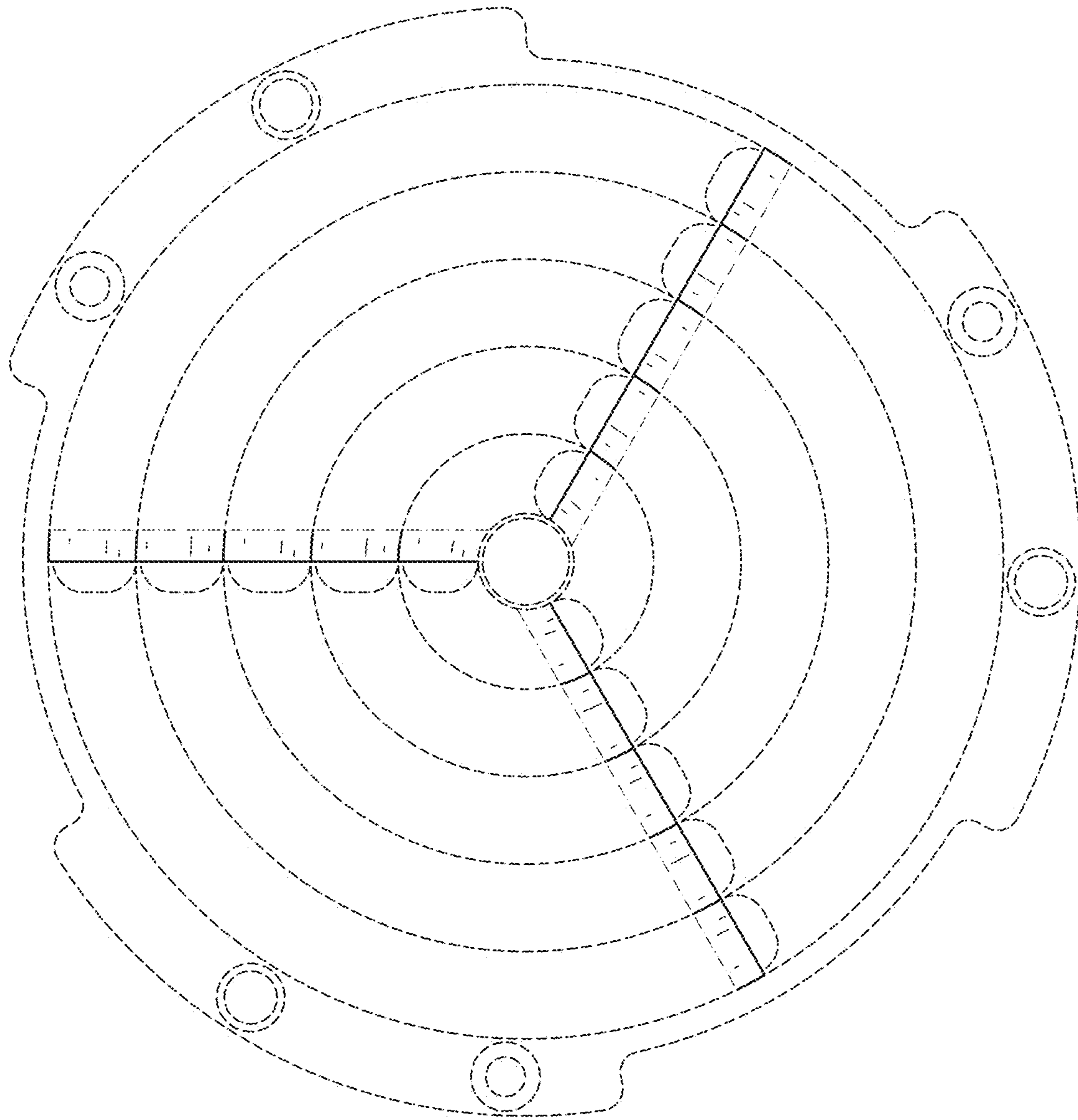


FIG. 1

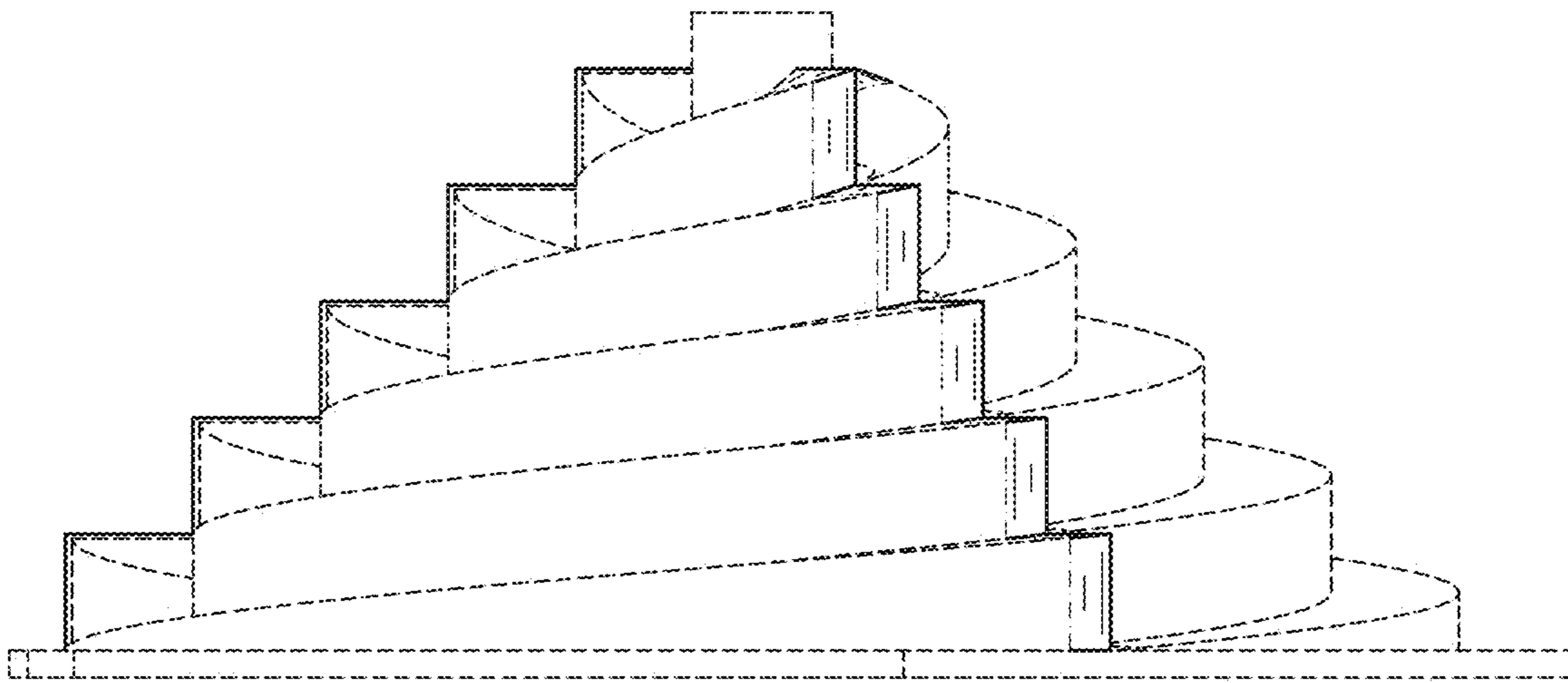


FIG. 2

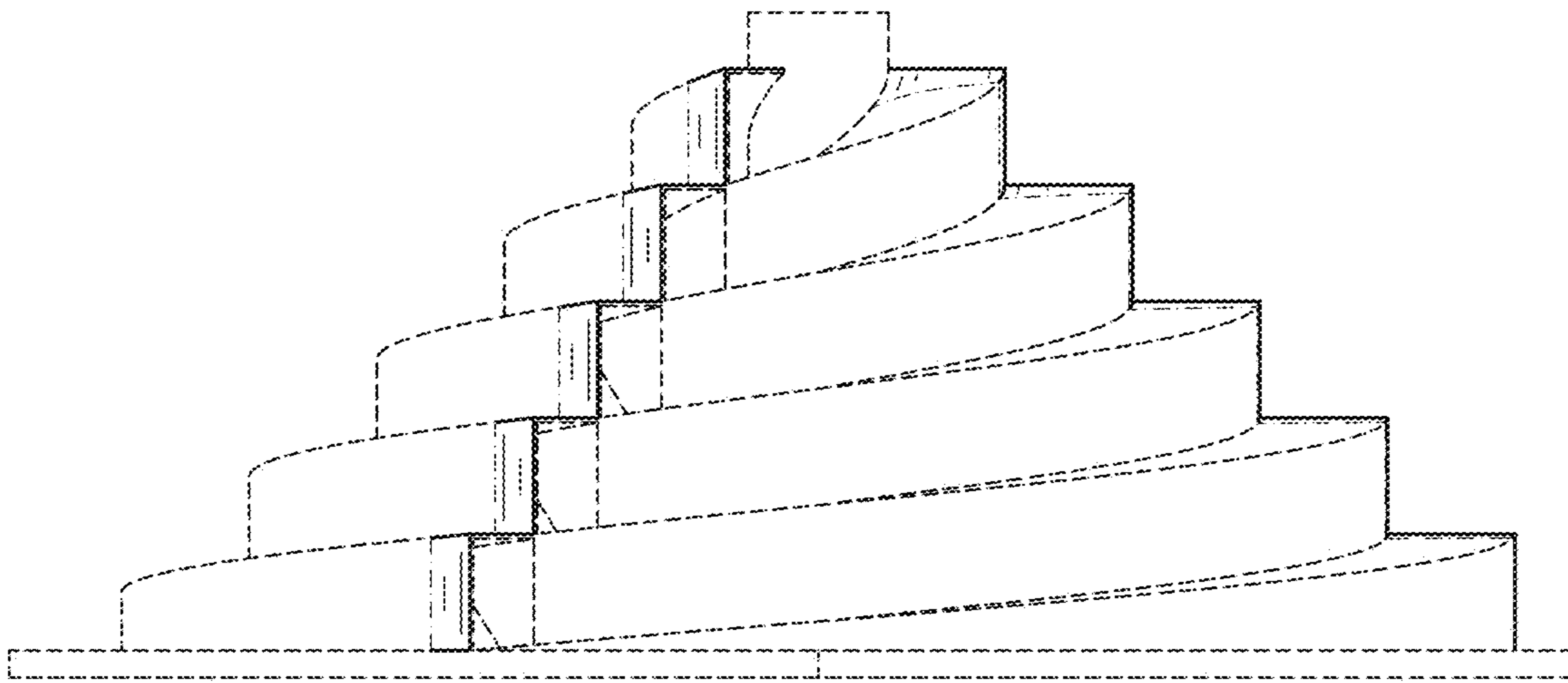


FIG. 3

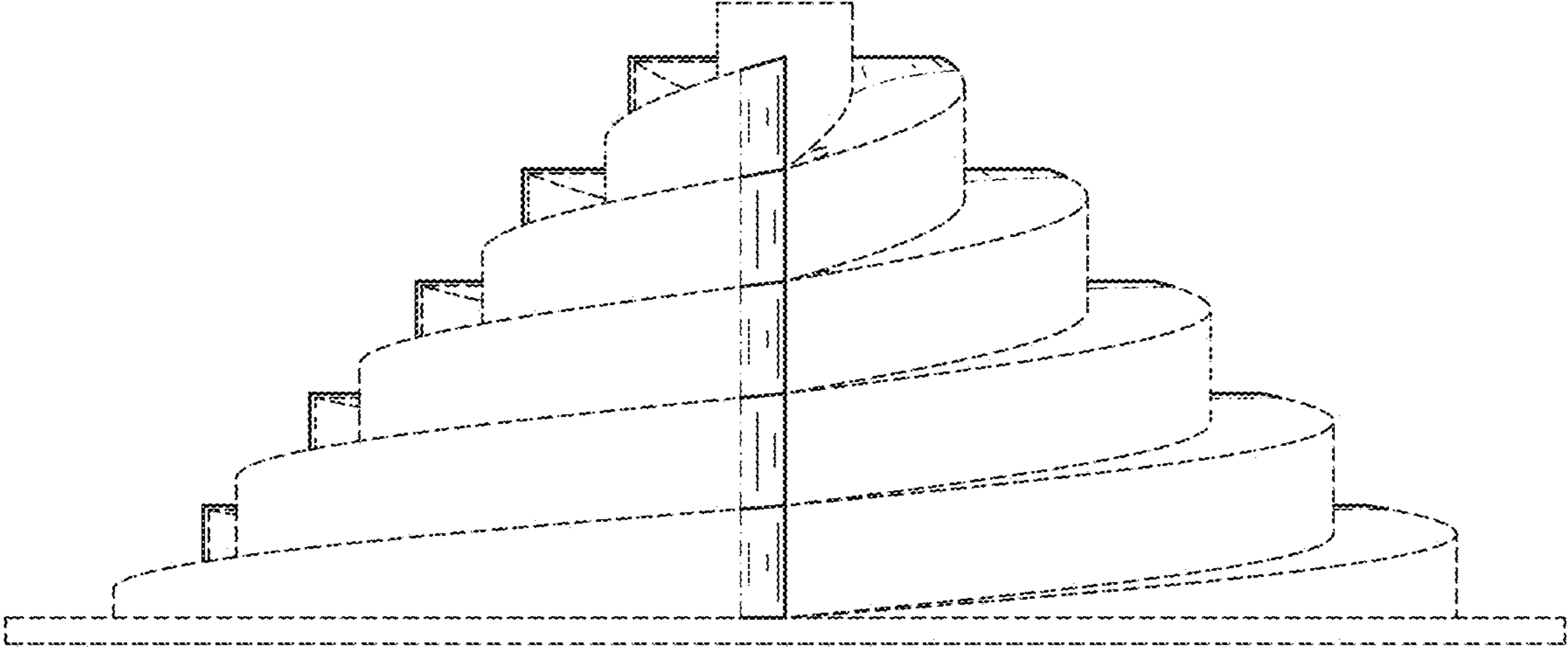


FIG. 4

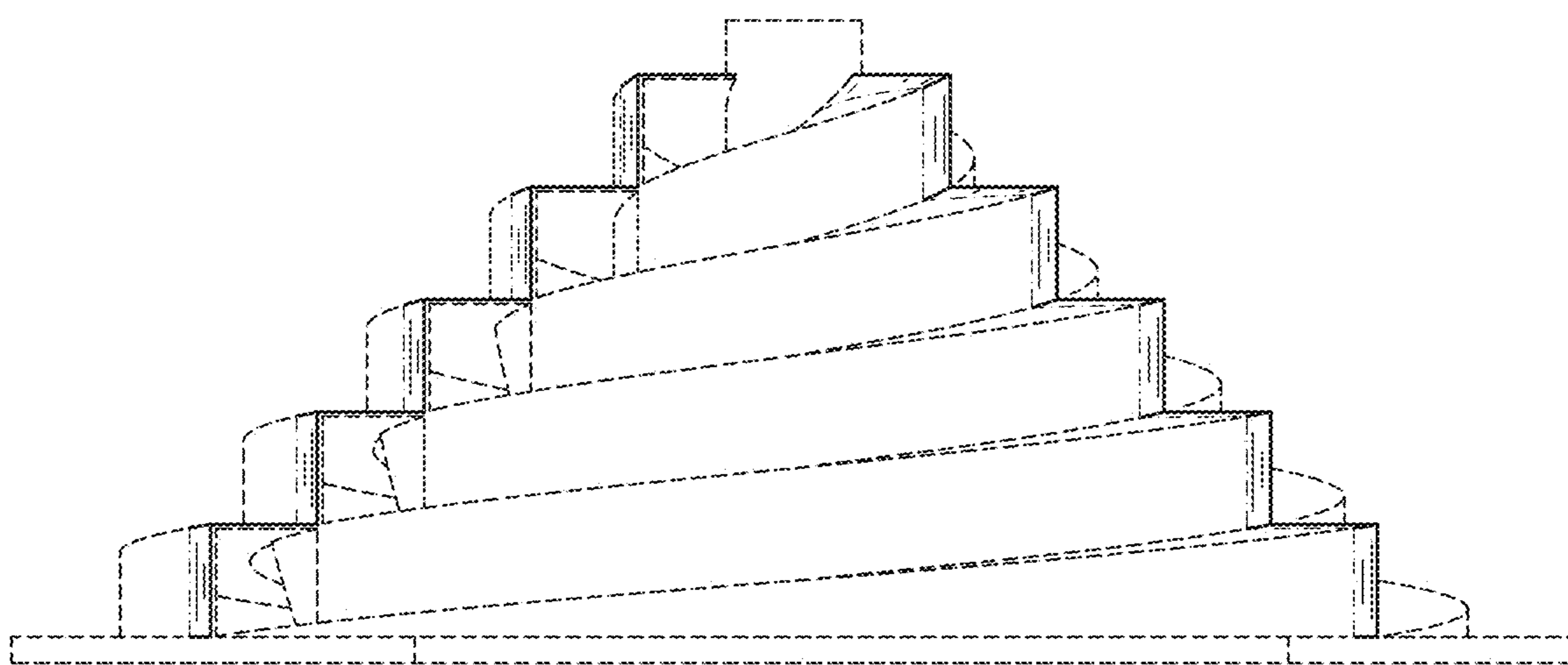


FIG. 5

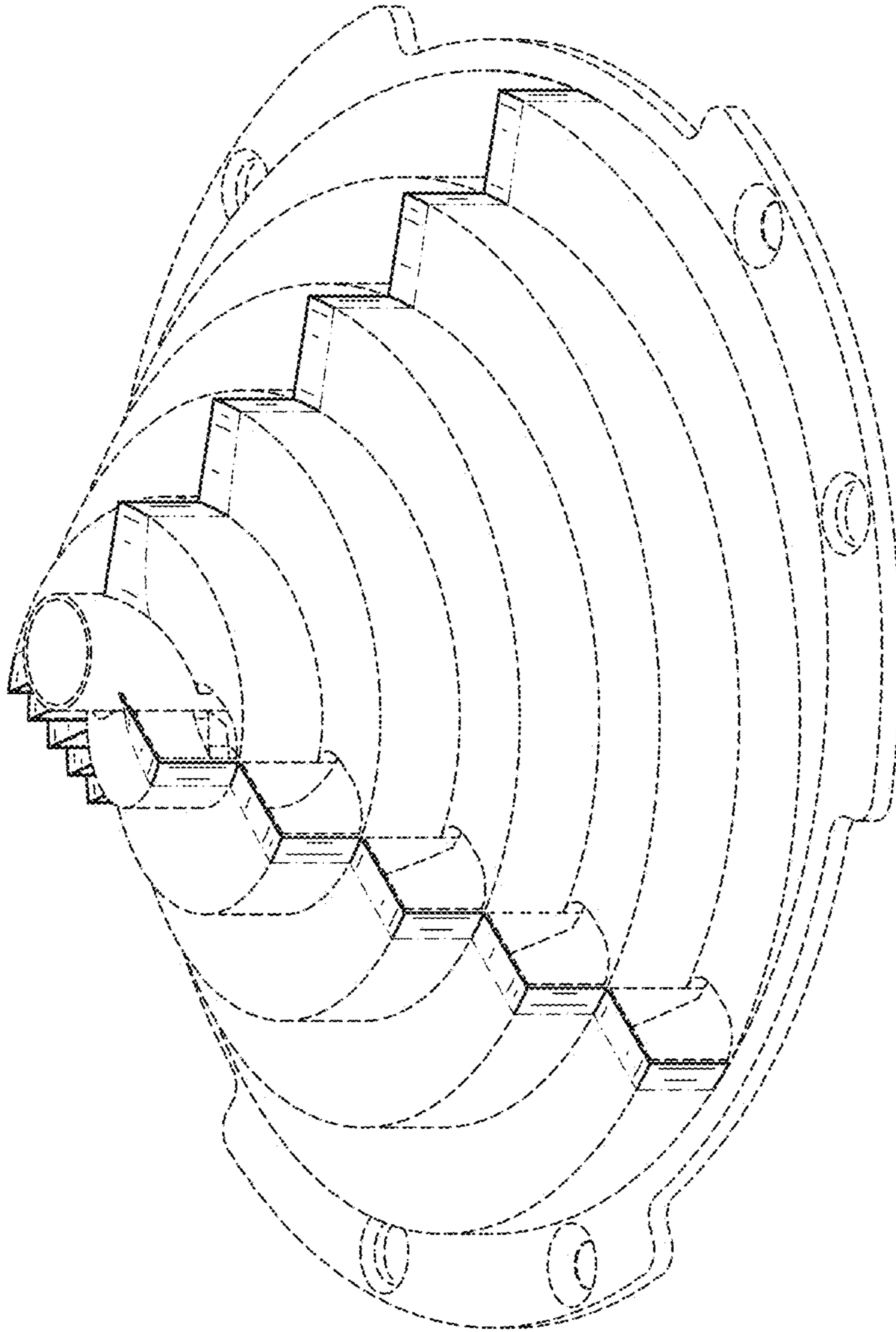


FIG. 6

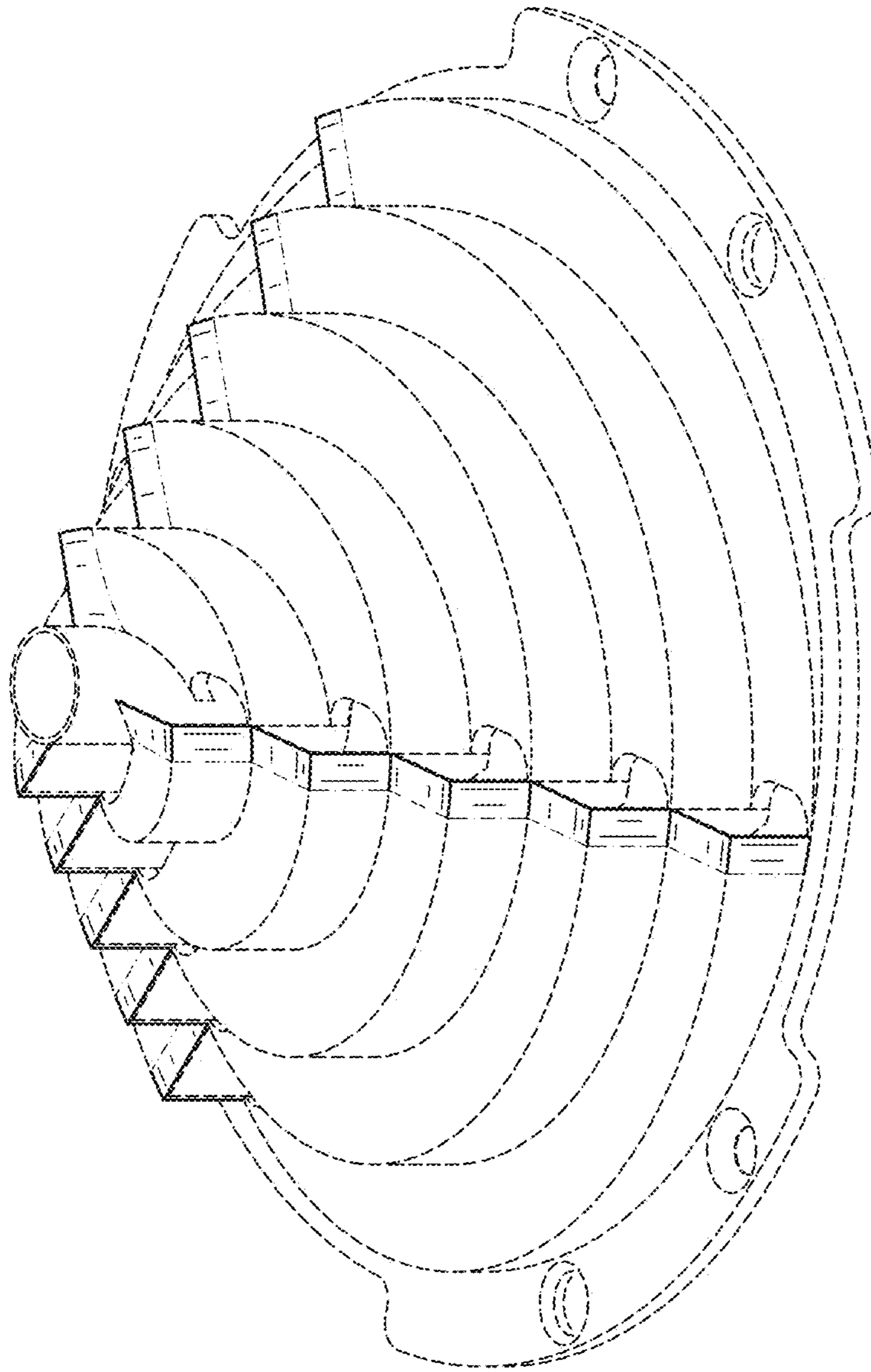


FIG. 7

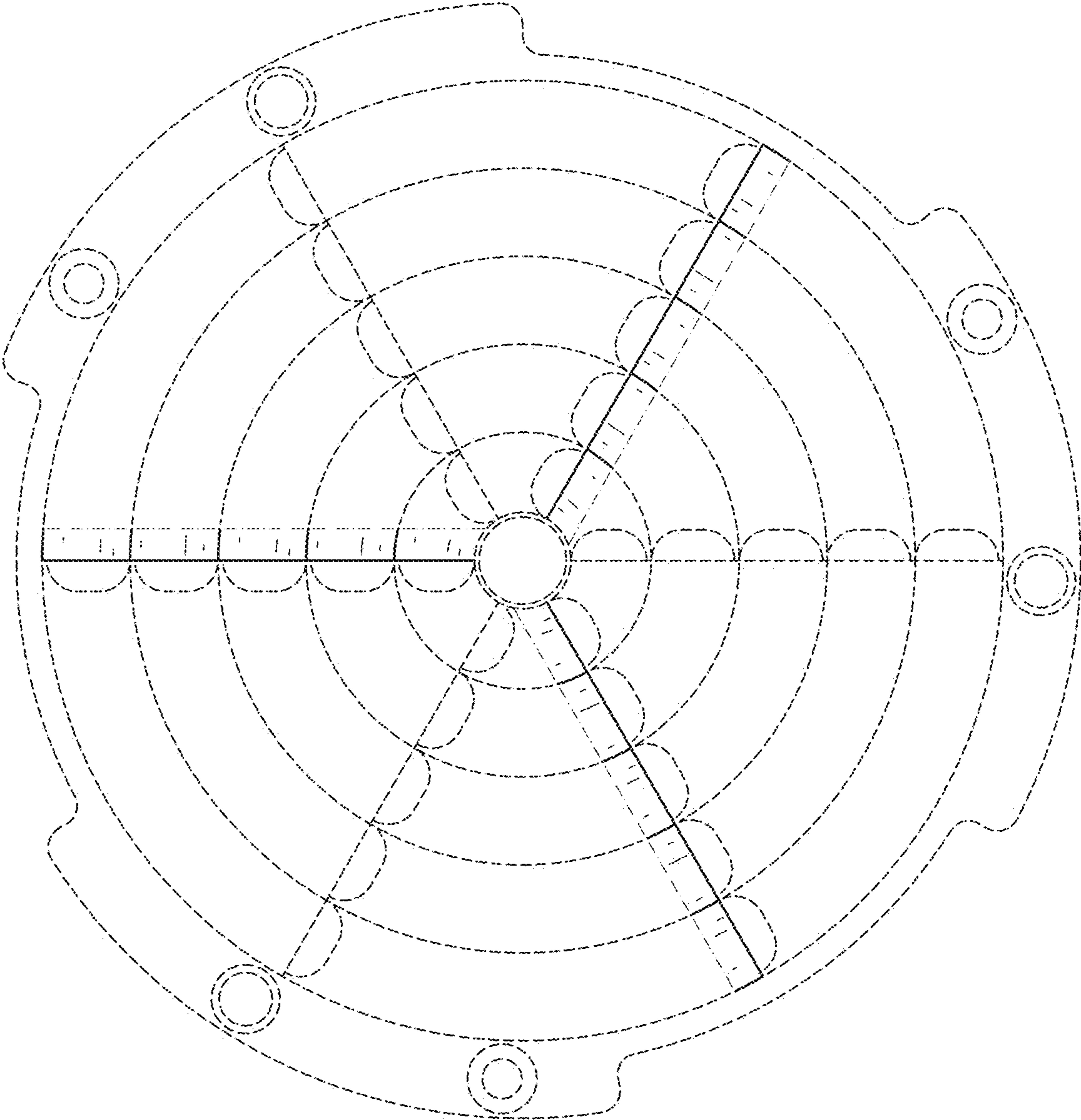


FIG. 8

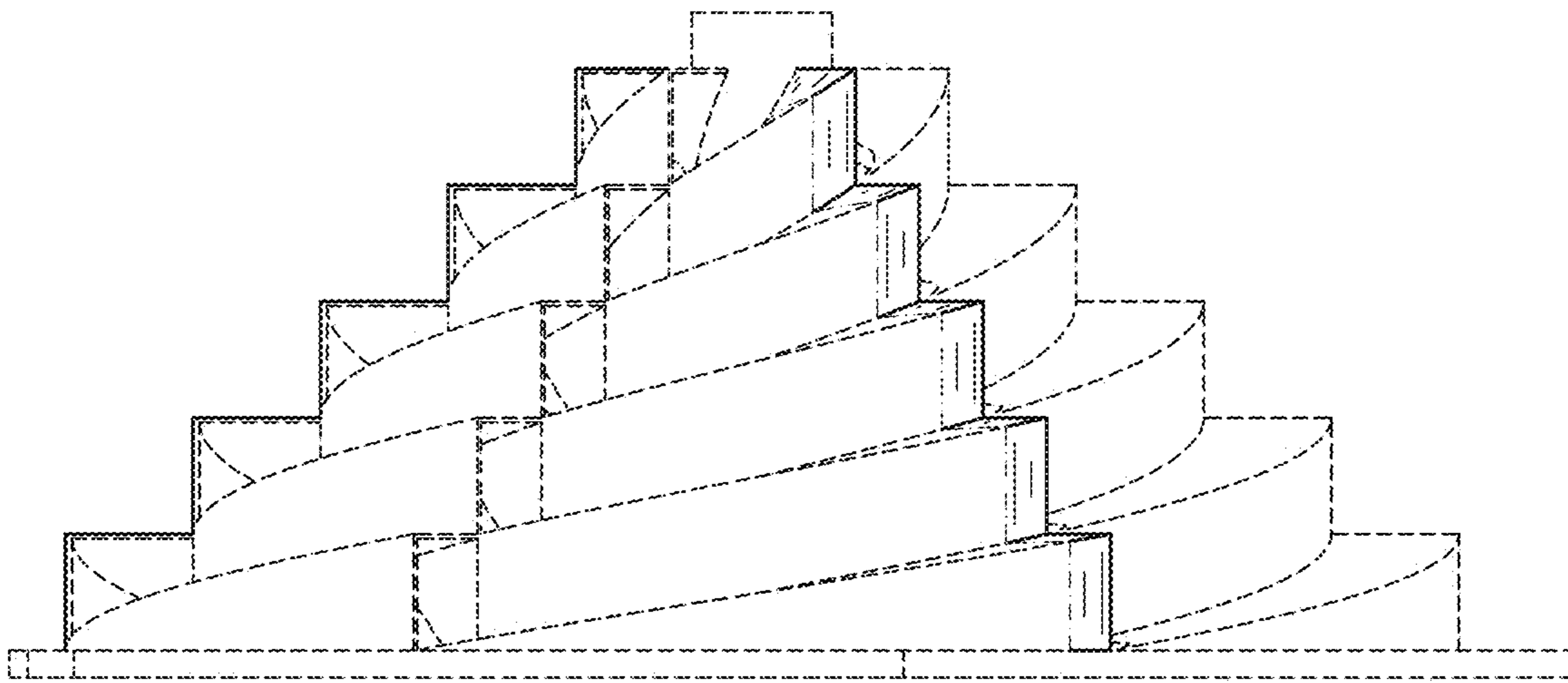


FIG. 9

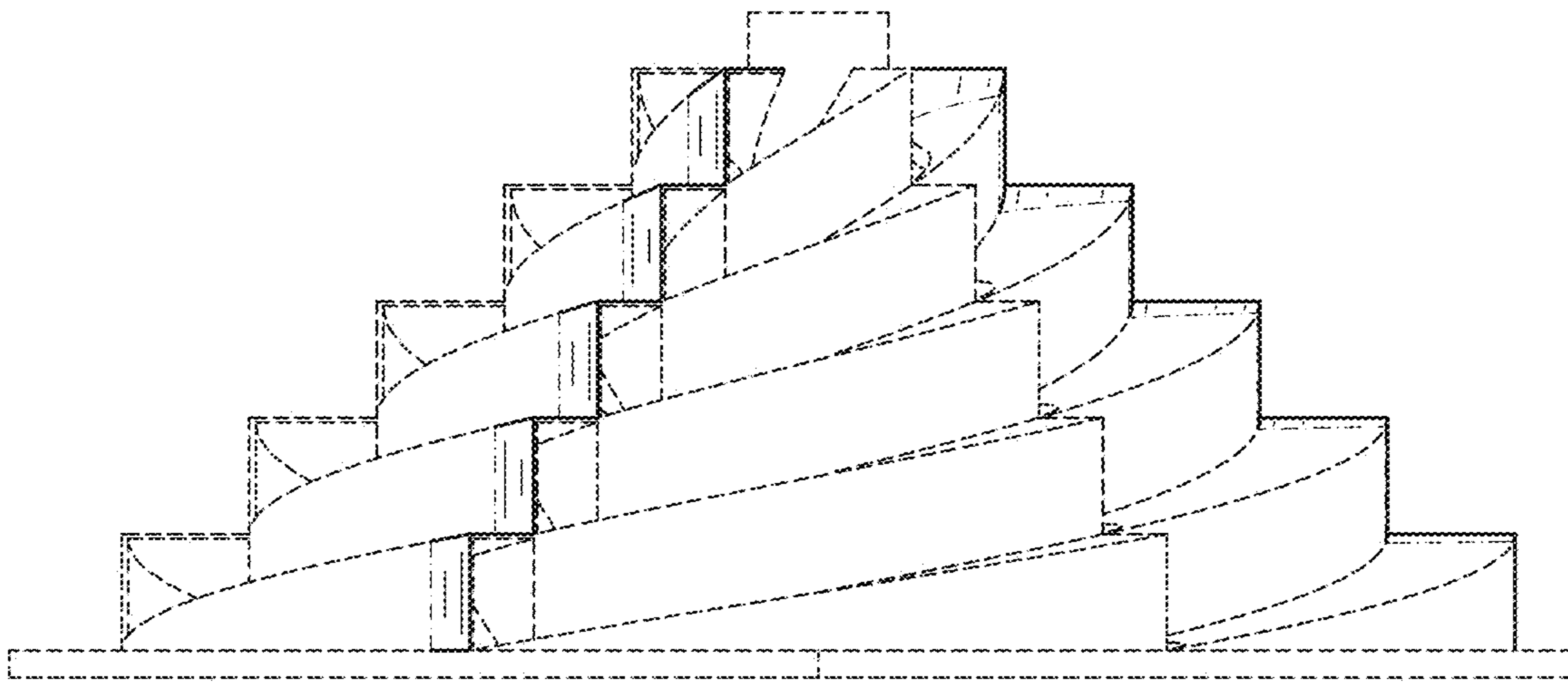


FIG. 10

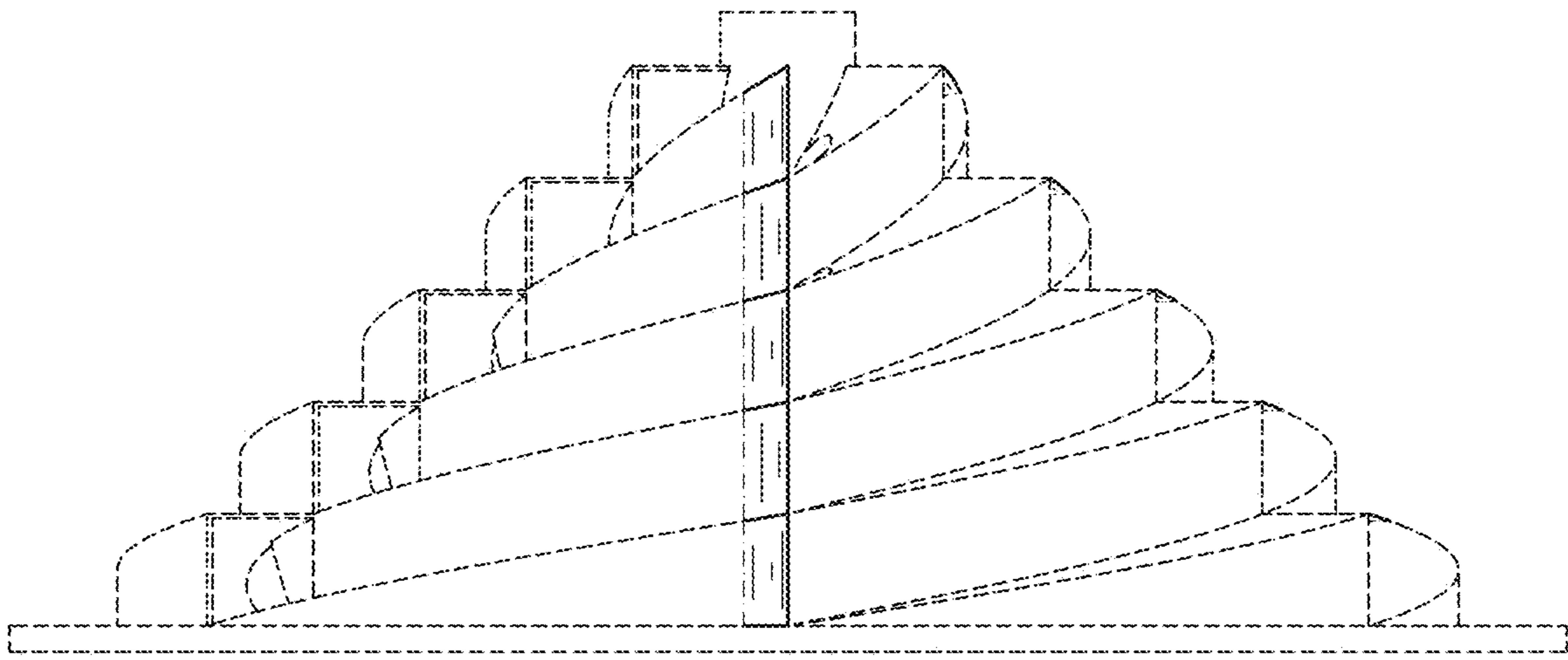


FIG. 11

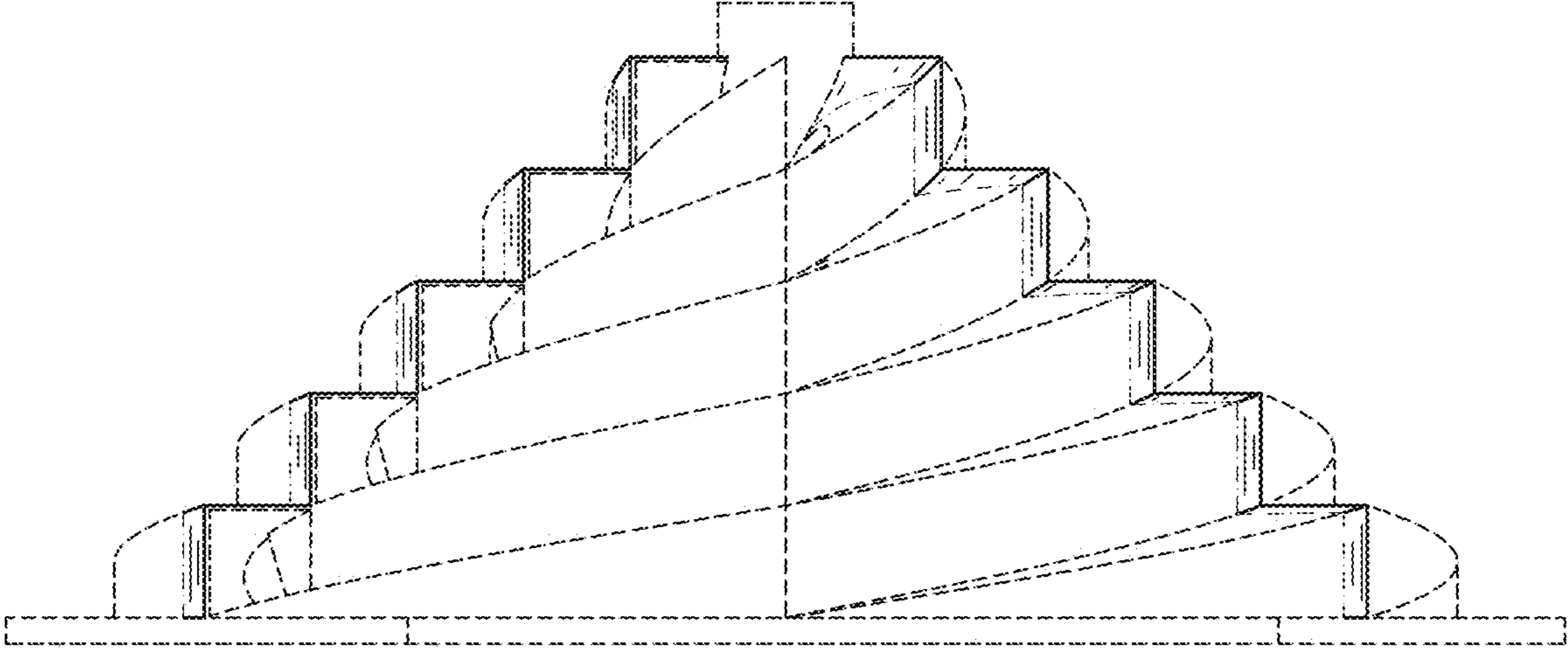


FIG. 12

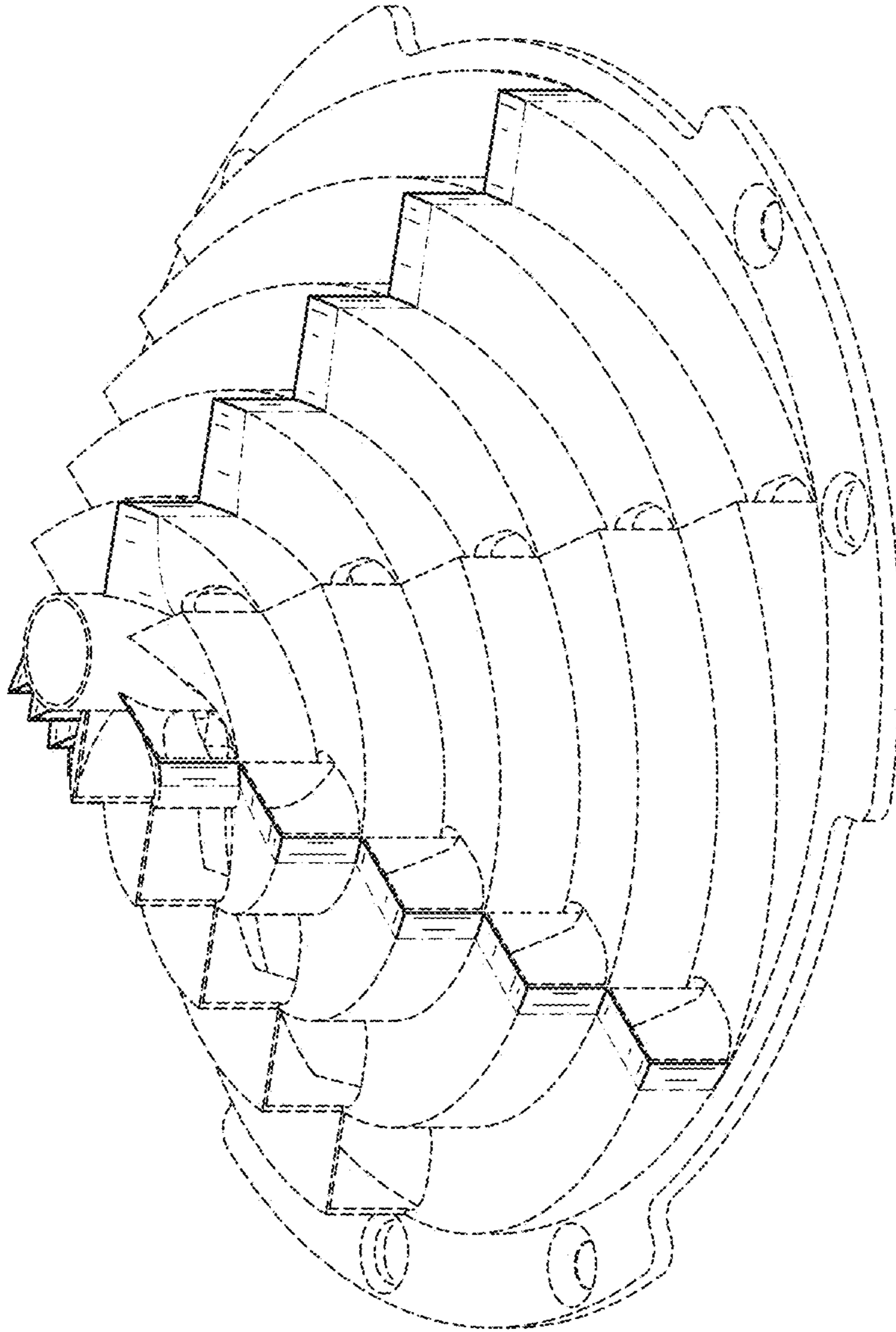


FIG. 13

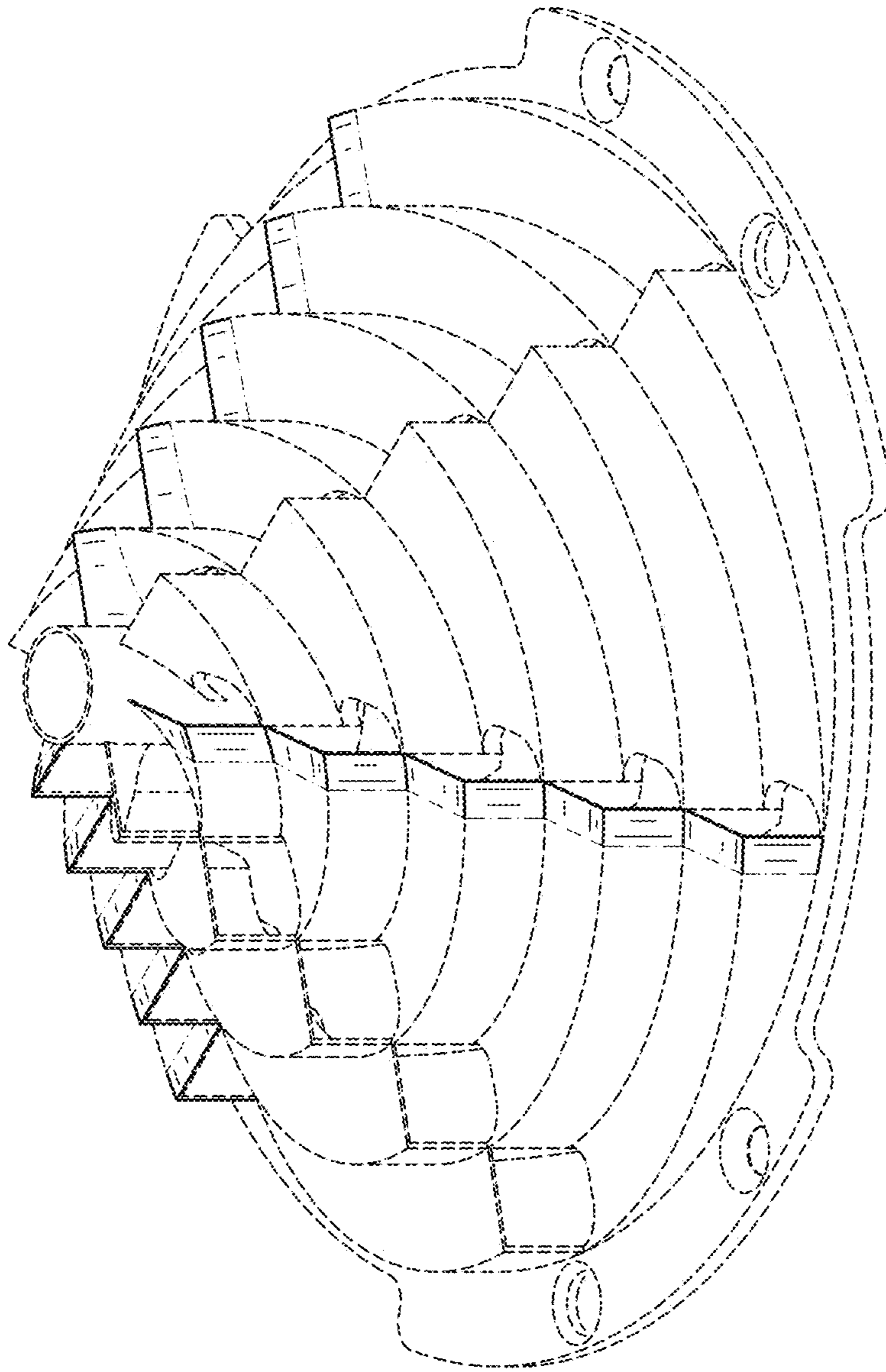


FIG. 14