



US00D895357S

(12) **United States Design Patent**
Broadrick et al.

(10) **Patent No.:** **US D895,357 S**

(45) **Date of Patent:** **** Sep. 8, 2020**

(54) **ROTISSERIE ASSEMBLY**

(71) Applicants: **Jeffrey Paul Broadrick**, Athens, GA (US); **Joseph William Pruitt**, Athens, GA (US)

(72) Inventors: **Jeffrey Paul Broadrick**, Athens, GA (US); **Joseph William Pruitt**, Athens, GA (US)

(73) Assignee: **KUDU SAFARI BRAAI, LLC**, Springfield, MO (US)

(**) Term: **15 Years**

(21) Appl. No.: **29/683,364**

(22) Filed: **Mar. 12, 2019**

(51) **LOC (12) Cl.** **07-02**

(52) **U.S. Cl.**
USPC **D7/402; D7/338**

(58) **Field of Classification Search**
USPC D7/332-337, 362, 363, 402, 403, 409, D7/338, 331; 126/25 R, 9 R; D13/112, D13/122, 184
CPC A47J 37/0704; A47J 37/0786; A47J 37/0763; A47J 37/0694; A47J 37/0795; A47J 2037/0777; A47J 33/00; A47J 37/0745; F24B 1/202; F24B 1/205; F24B 1/207; F24C 1/16
See application file for complete search history.

(56) **References Cited**

U.S. PATENT DOCUMENTS

- 3,248,518 A * 4/1966 Ogle, Jr. A47J 37/041 219/450.1
- D267,304 S * 12/1982 Wan D7/338
- D292,473 S * 10/1987 Fisher D7/402
- 4,932,391 A * 6/1990 Bierdeman A47J 37/0745 126/25 A

- D381,552 S * 7/1997 Pizzey D7/332
- 5,819,639 A * 10/1998 Spell A47J 37/041 99/421 H
- D491,415 S * 6/2004 Rummel D7/402

(Continued)

Primary Examiner — Brett Miller

(74) *Attorney, Agent, or Firm* — Withers & Keys, LLC

(57) **CLAIM**

The ornamental design for a rotisserie assembly, as shown and described.

DESCRIPTION

FIG. 1 is a perspective view of a rotisserie assembly showing our new design as viewed from a front side of the rotisserie assembly;

FIG. 2 is a perspective view of the rotisserie assembly shown in FIG. 1 as viewed from a rear side of the rotisserie assembly;

FIG. 3 is a frontal view of the rotisserie assembly shown in FIG. 1;

FIG. 4 is a rear view of the rotisserie assembly shown in FIG. 1;

FIG. 5 is a left-side view of the rotisserie assembly shown in FIG. 3;

FIG. 6 is a right-side view of the rotisserie assembly shown in FIG. 3;

FIG. 7 is a top view of the rotisserie assembly shown in FIG. 3;

FIG. 8 is a bottom view of the rotisserie assembly shown in FIG. 3;

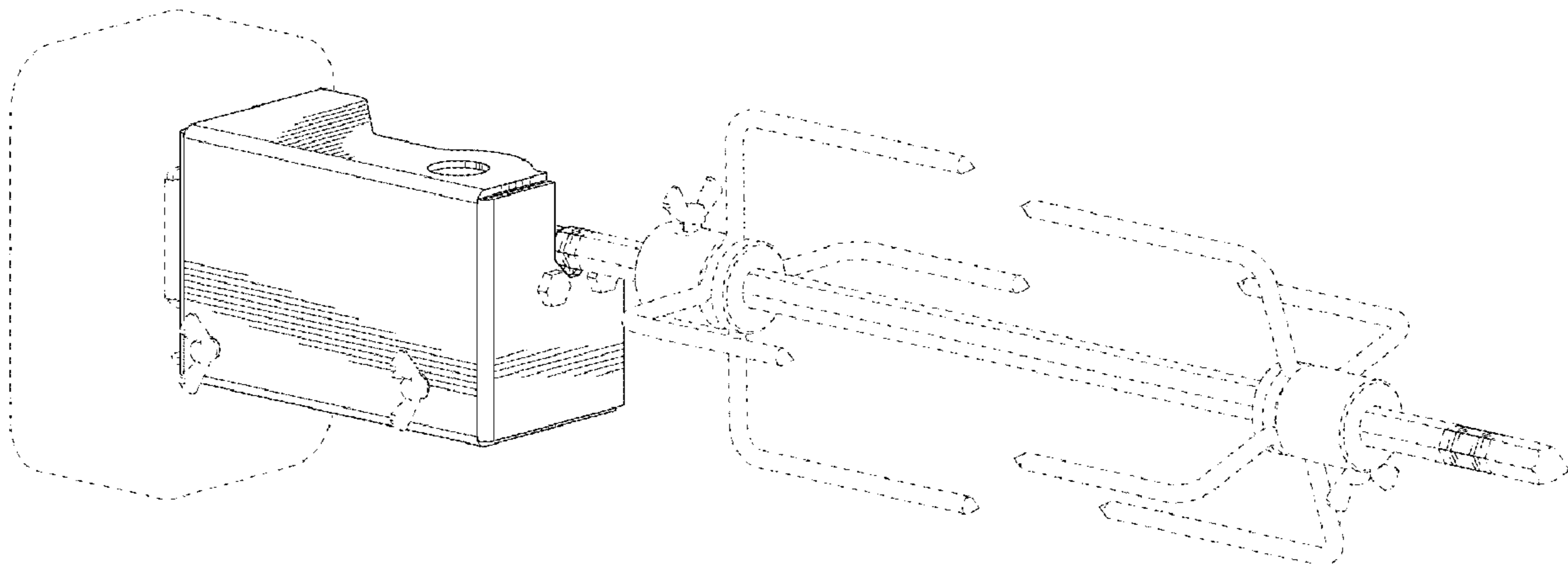
FIG. 9 is another perspective view of the rotisserie assembly shown in FIG. 1 as viewed from a rear side of the rotisserie assembly;

FIG. 10 is a close-up view of the bracket component of the rotisserie assembly shown in FIG. 9; and,

FIG. 11 is a view of the rotisserie assembly shown in FIG. 1 as viewed in combination with a grill.

The broken lines shown in the drawings illustrate portions of the rotisserie assembly that forms no part of the claimed design.

1 Claim, 11 Drawing Sheets



(56)

References Cited

U.S. PATENT DOCUMENTS

D530,278 S * 10/2006 Lyle D13/122
D535,845 S * 1/2007 King D7/332
D619,962 S * 7/2010 Gardner D13/122
8,776,774 B2 * 7/2014 Hsu A47J 37/041
126/25 AA
D827,594 S * 9/2018 Shim D13/184
D833,972 S * 11/2018 Pflueger D13/112
2007/0137498 A1 * 6/2007 Sarich A47J 37/041
99/419
2009/0025573 A1 * 1/2009 Thompson A47J 37/041
99/421 H
2009/0071462 A1 * 3/2009 Liu A47J 37/041
126/25 R
2011/0156515 A1 * 6/2011 Tsung A47J 37/041
310/88
2014/0345593 A1 * 11/2014 Hsu A47J 37/0745
126/25 AA
2015/0027321 A1 * 1/2015 Yu A47J 37/041
99/344
2017/0127879 A1 * 5/2017 Hsu A47J 37/041
2018/0263418 A1 * 9/2018 Hedrington A47J 37/041

* cited by examiner

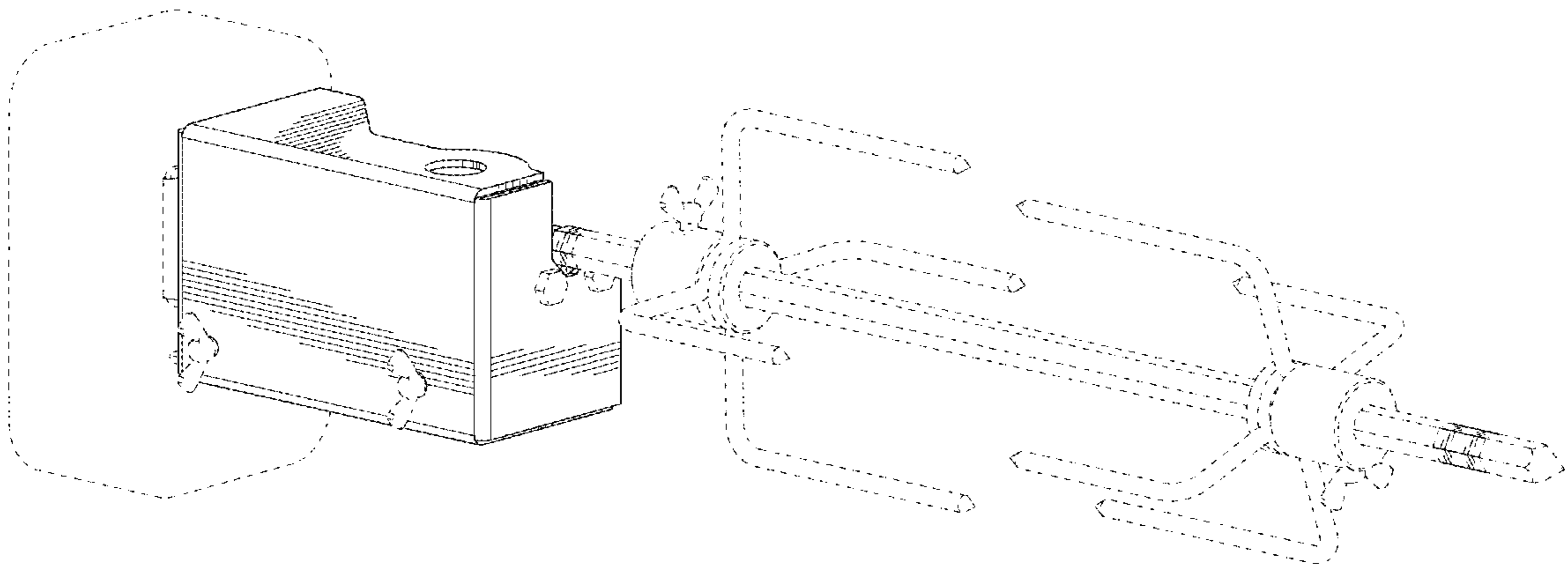


FIG. 1

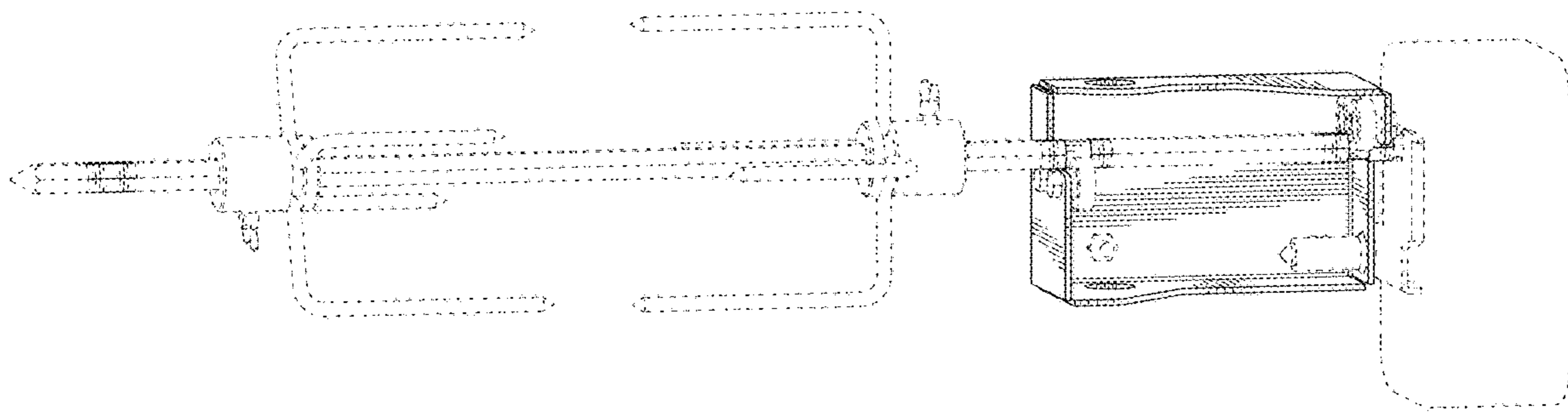


FIG. 2

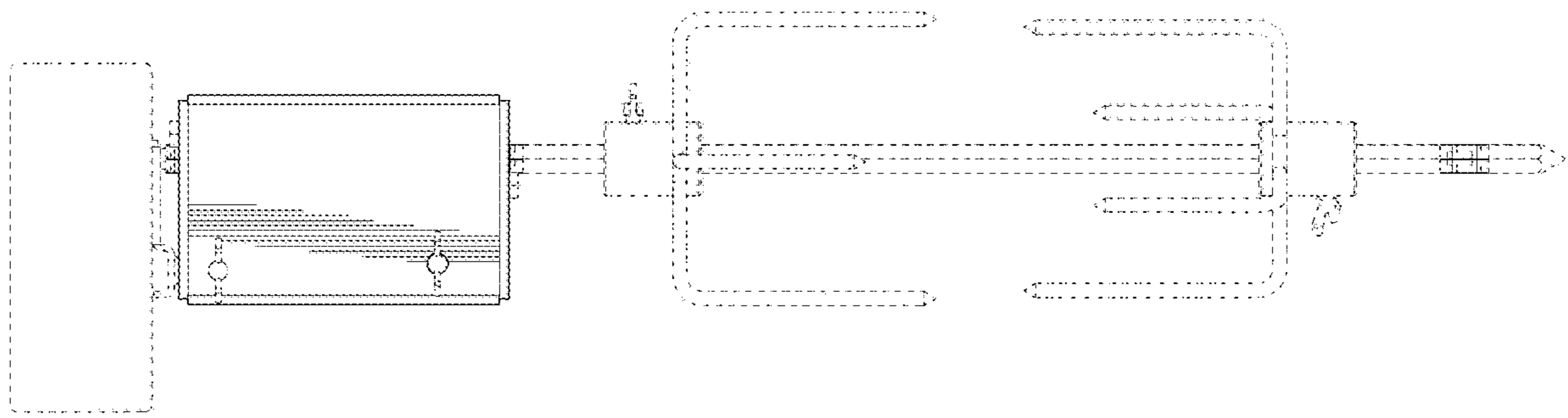


FIG. 3

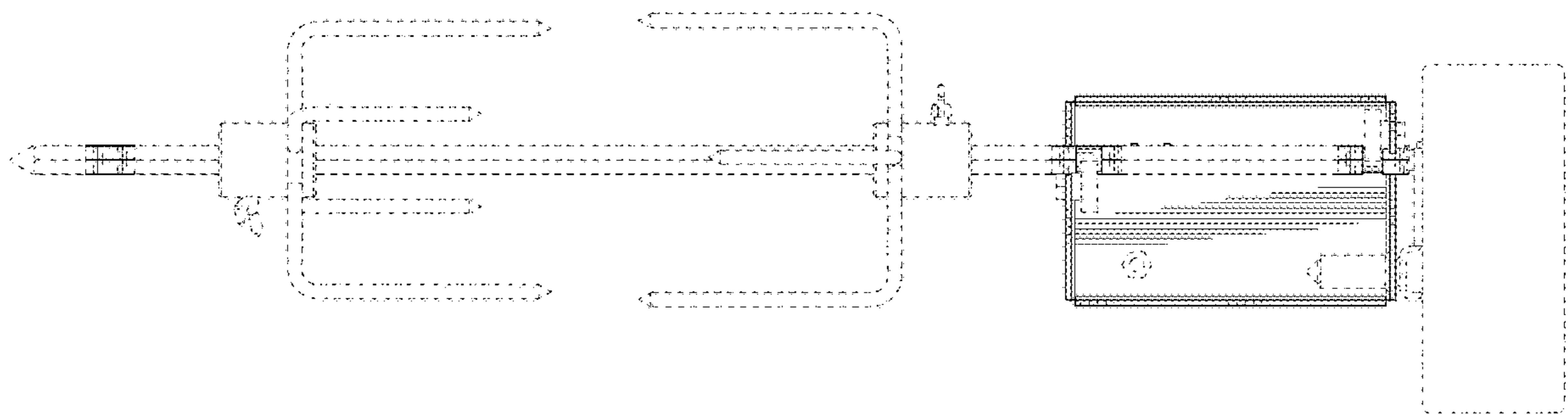


FIG. 4

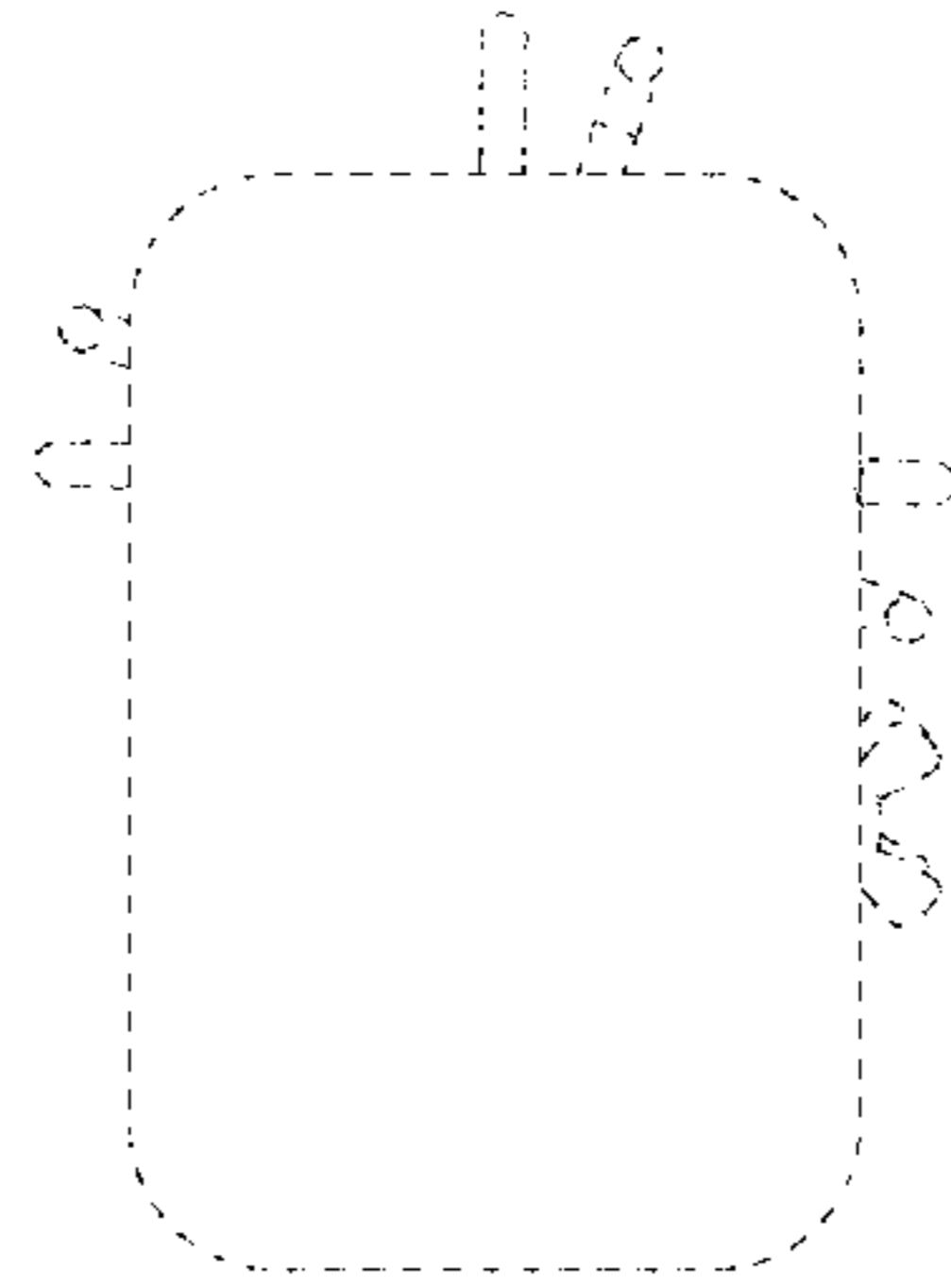


FIG. 5

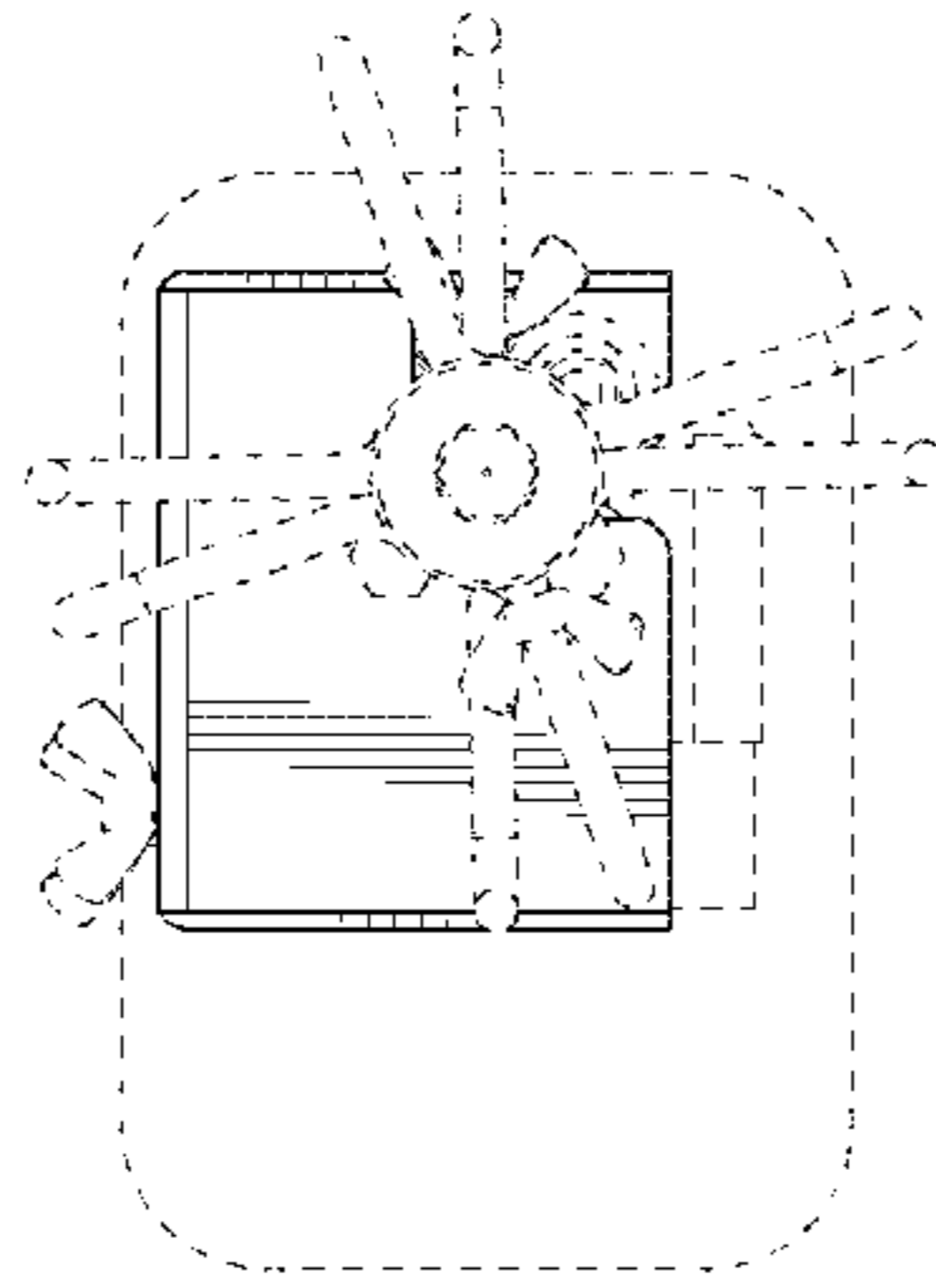


FIG. 6

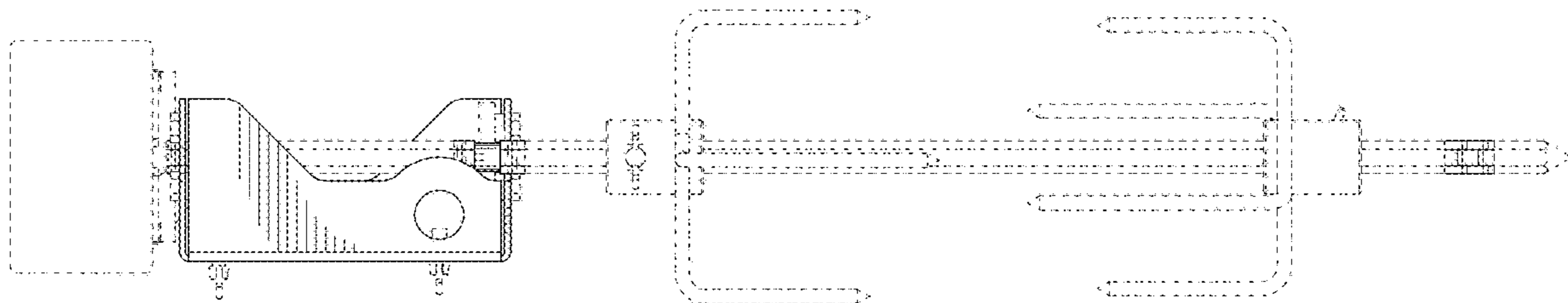


FIG. 7

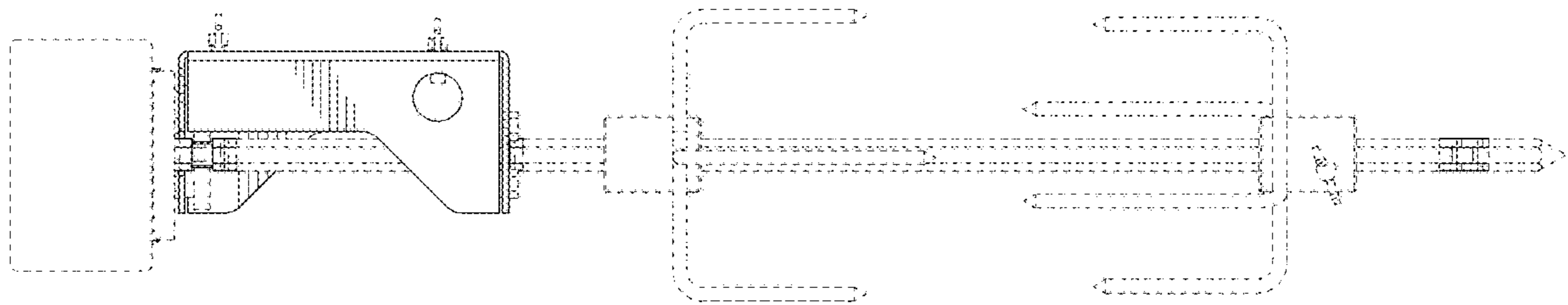


FIG. 8

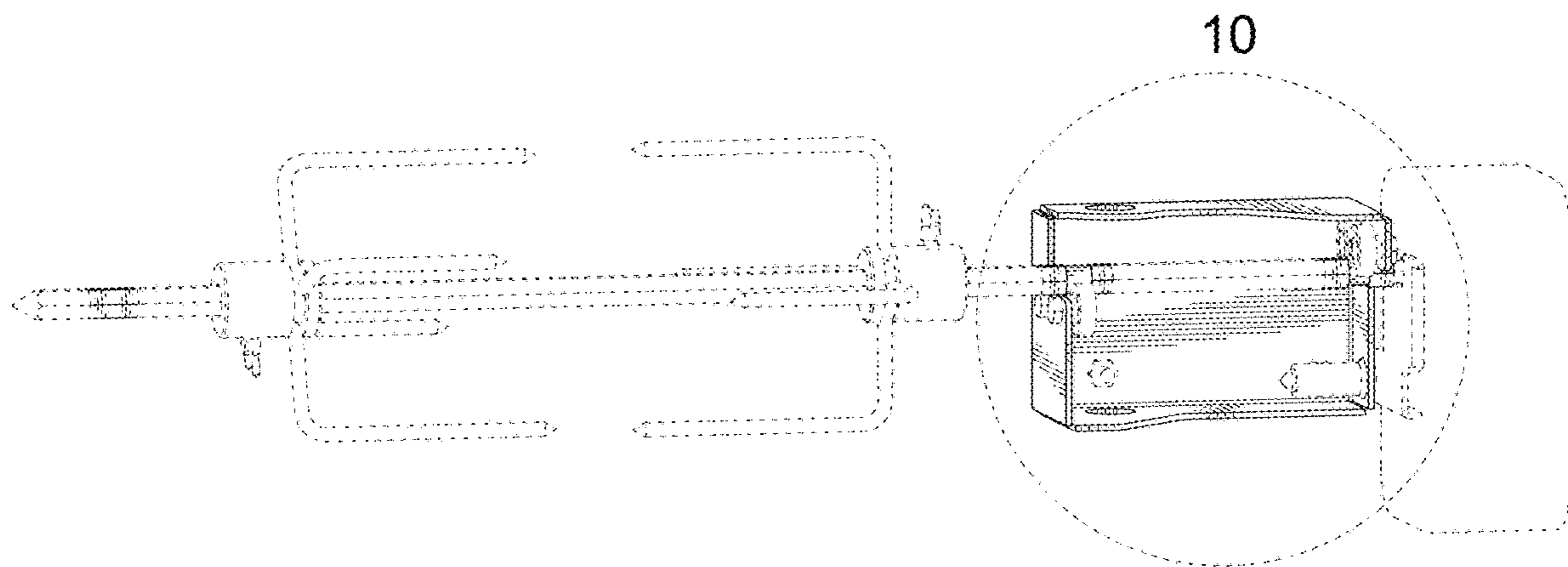


FIG. 9

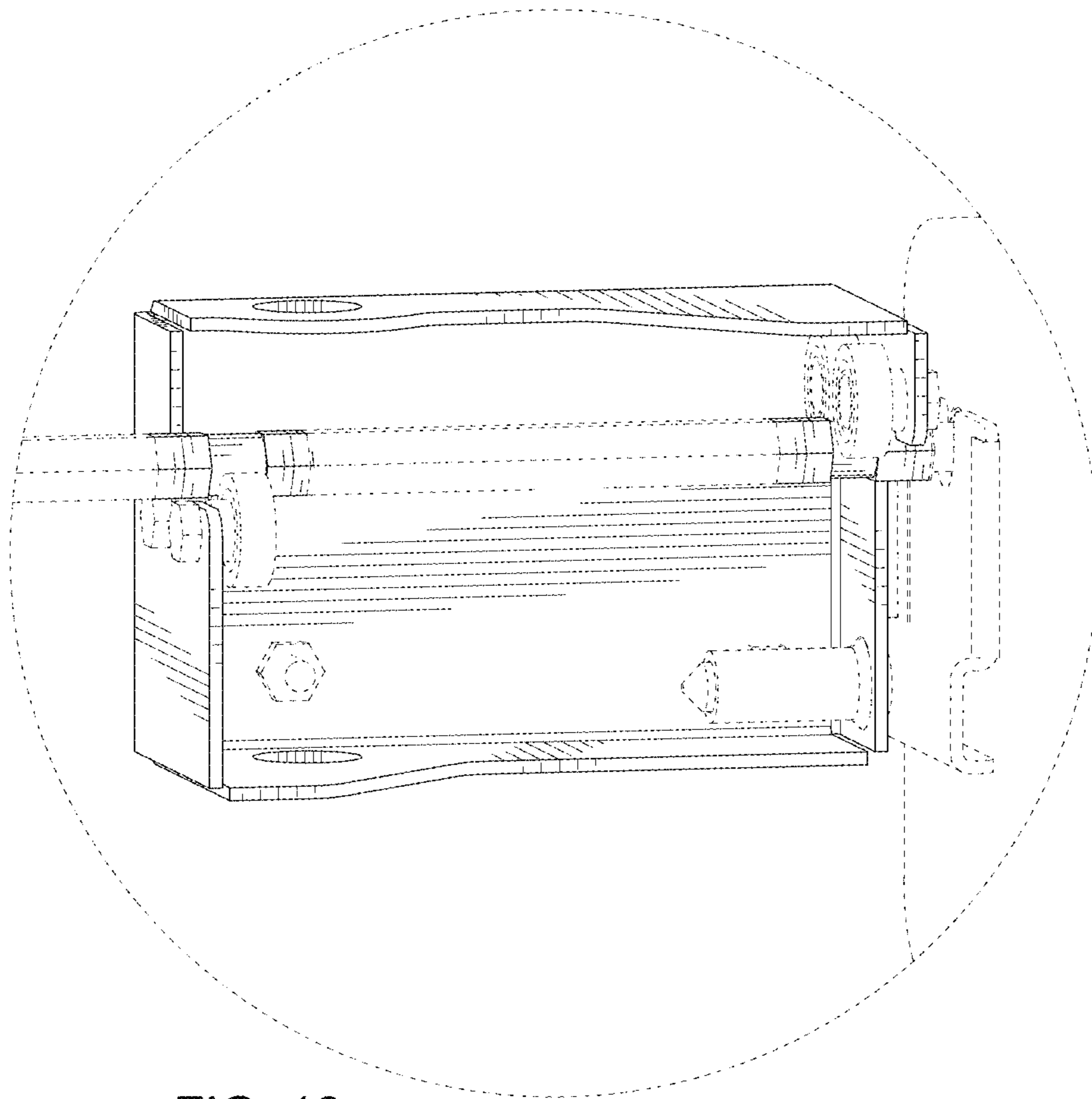


FIG. 10

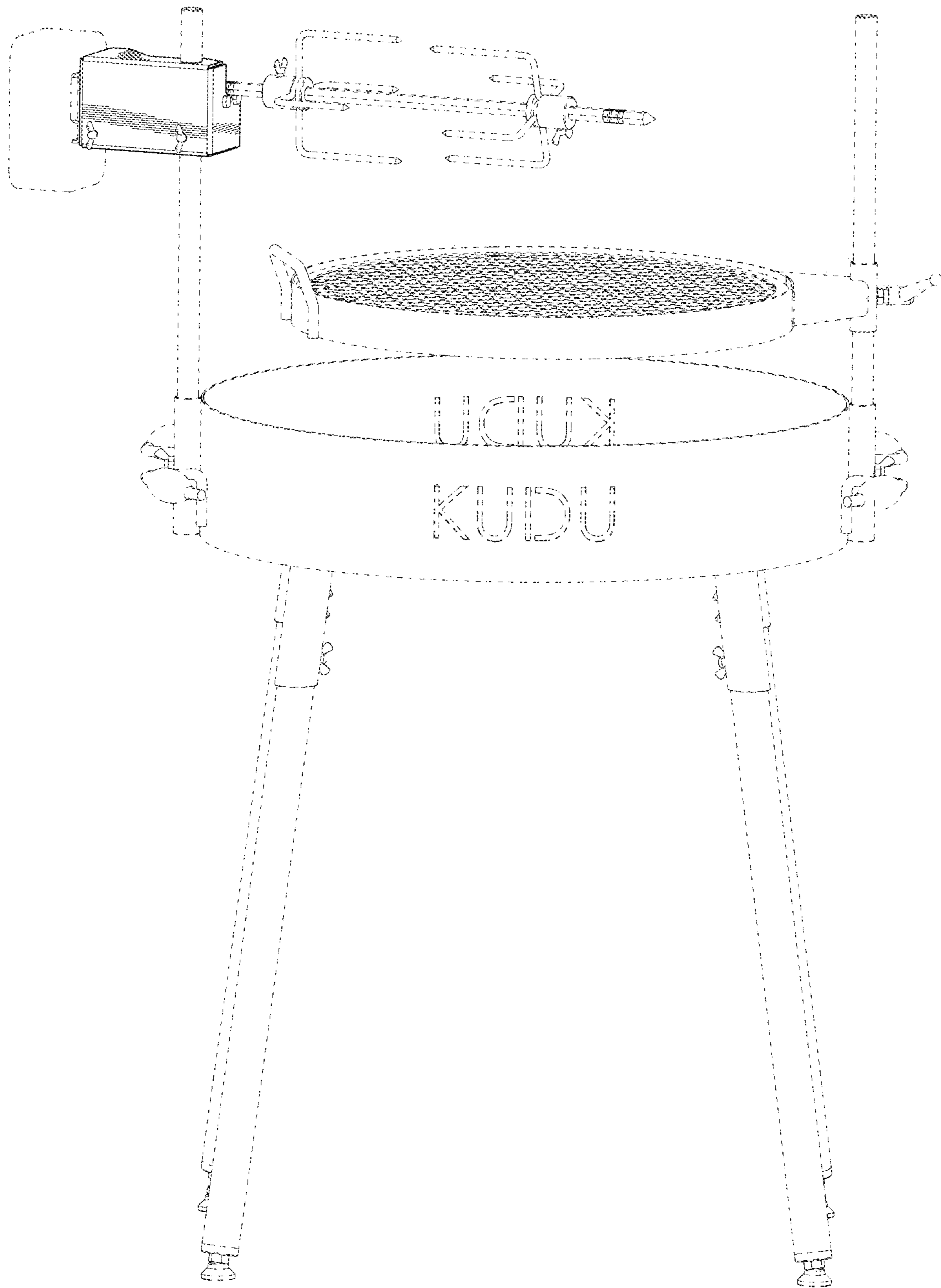


FIG. 11