



US00D895356S

(12) **United States Design Patent**  
**Chang**

(10) **Patent No.:** **US D895,356 S**  
(45) **Date of Patent:** **\*\* Sep. 8, 2020**

- (54) **GRILL**
- (71) Applicant: **Tsann Kuen (Zhangzhou) Enterprise Co., Ltd., Zhangzhou (CN)**
- (72) Inventor: **Wenyu Chang, Zhangzhou (CN)**
- (73) Assignee: **Tsann Kuen (Zhangzhou) Enterprise Co., Ltd., Zhangzhou (CN)**
- (\*\*) Term: **15 Years**
- (21) Appl. No.: **29/653,209**
- (22) Filed: **Jun. 13, 2018**

- 2,234,298 A \* 3/1941 Bolle ..... F23O 2/44  
431/146
- 2,272,379 A \* 2/1942 Loukota ..... H01R 13/42  
439/740
- 2,643,581 A \* 6/1953 Wehrenfennig ..... G03B 17/12  
396/531
- 2,781,500 A \* 2/1957 Armstrong ..... H01R 13/625  
439/335
- 2,882,580 A \* 4/1959 Barsalou ..... B64C 1/12  
411/551
- 3,449,004 A \* 6/1969 Anderson ..... F16B 5/10  
403/408.1
- 3,523,395 A \* 8/1970 Konrad ..... F16B 5/10  
52/410
- D231,069 S \* 4/1974 Boldt ..... D7/352  
(Continued)

**Related U.S. Application Data**

- (60) Division of application No. 29/607,240, filed on Jun. 12, 2017, now Pat. No. Des. 859,057, which is a continuation-in-part of application No. 29/591,965, filed on Jan. 25, 2017, now Pat. No. Des. 839,660.
- (51) **LOC (12) Cl.** ..... **07-02**
- (52) **U.S. Cl.**  
USPC ..... **D7/402**
- (58) **Field of Classification Search**  
USPC ..... D7/323, 327, 332, 334, 337, 346,  
D7/352-353, 362-367, 402, 407-411,  
D7/354, 382, 399, 412, 386  
CPC ..... A47J 37/0611; A47J 2037/0617; F16B  
21/04; F16B 21/02; F16B 7/20; F16B  
5/10  
See application file for complete search history.

**References Cited**

**U.S. PATENT DOCUMENTS**

- 1,661,188 A \* 3/1928 Matthews ..... F16B 45/00  
248/221.12
- 2,078,211 A \* 4/1937 Williams ..... B60K 15/0406  
220/287

**FOREIGN PATENT DOCUMENTS**

- EP 0194422 A2 \* 9/1986 ..... F16B 21/02
- EP 1389669 A1 \* 2/2004 ..... F01D 9/042

*Primary Examiner* — Brett Miller

(74) *Attorney, Agent, or Firm* — Burriss Law, PLLC

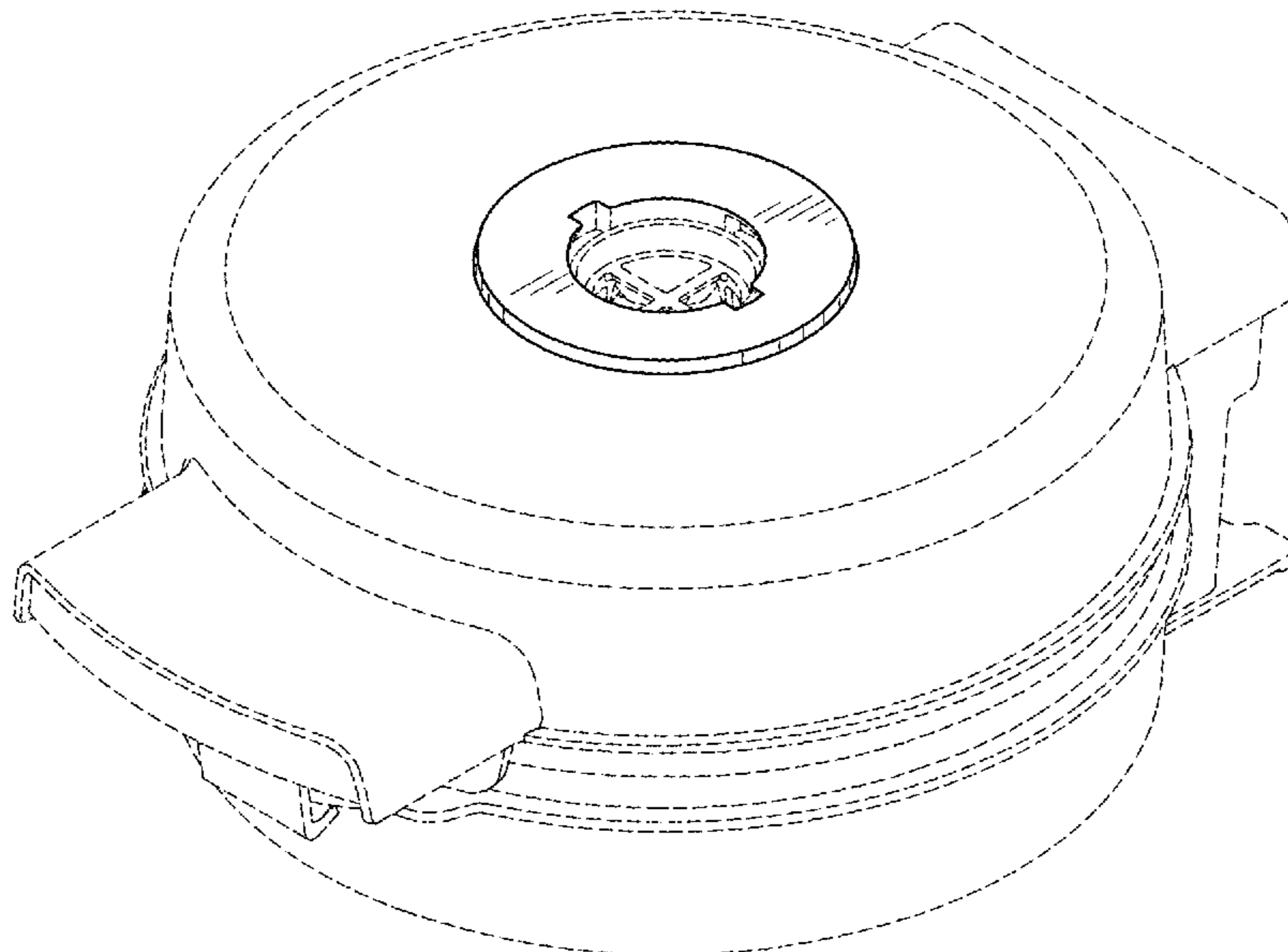
(57) **CLAIM**

The ornamental design for a grill, as shown and described.

**DESCRIPTION**

FIG. 1 is a perspective view of a grill showing my new design;  
 FIG. 2 is another perspective view thereof;  
 FIG. 3 is still another perspective view thereof;  
 FIG. 4 is a front elevational view thereof;  
 FIG. 5 is a rear elevational view thereof;  
 FIG. 6 is a left side elevational view thereof;  
 FIG. 7 is a right side elevational view thereof;  
 FIG. 8 is a top plan view thereof; and,  
 FIG. 9 is a bottom plan view thereof.  
 The broken lines depict portions of a grill in which the design is embodied that form no part of the claimed design.

**1 Claim, 7 Drawing Sheets**



(56)

References Cited

U.S. PATENT DOCUMENTS

3,860,209 A \* 1/1975 Strecker ..... B60P 7/13  
410/116  
3,894,782 A \* 7/1975 Hug ..... H01R 13/746  
439/246  
D243,062 S \* 1/1977 Malloy ..... D8/382  
4,014,245 A \* 3/1977 Frye ..... F16B 21/02  
411/352  
D250,447 S \* 12/1978 Levin ..... D7/352  
4,133,560 A \* 1/1979 Ishikawa ..... F16L 41/084  
220/293  
4,312,558 A \* 1/1982 Duerr ..... H01R 13/746  
439/551  
4,532,622 A \* 7/1985 Newbold ..... G11B 17/0282  
369/271.1  
4,599,768 A \* 7/1986 Doyle ..... B29C 65/0672  
24/456  
4,619,549 A \* 10/1986 Gilbreth ..... E04G 7/301  
182/178.5  
4,676,408 A \* 6/1987 Speitel ..... B65D 83/384  
222/183  
4,747,601 A \* 5/1988 Glachet ..... G21F 7/005  
220/378  
4,751,773 A \* 6/1988 Nysten ..... A44B 17/0029  
24/662  
D299,609 S \* 1/1989 Madl ..... D7/352  
D309,397 S \* 7/1990 Strand ..... D7/354  
4,943,182 A \* 7/1990 Hoblingre ..... F16B 7/20  
403/325  
D309,692 S \* 8/1990 Strand ..... D7/354  
4,963,063 A \* 10/1990 Gulistan ..... F16B 5/0208  
403/DIG. 12  
D311,849 S \* 11/1990 Strand ..... D7/354  
D312,023 S \* 11/1990 Strand ..... D7/354  
5,081,385 A \* 1/1992 Gajjar ..... F16D 7/025  
192/56.1  
5,147,979 A \* 9/1992 Yang ..... H02G 3/185  
174/482

5,501,542 A \* 3/1996 Hall, Sr. .... F16D 1/101  
209/369  
5,597,260 A \* 1/1997 Peterson ..... F16B 21/04  
403/316  
5,620,291 A \* 4/1997 Hayes ..... F16B 21/02  
411/552  
5,887,465 A \* 3/1999 Shen ..... E05B 3/065  
292/336.3  
5,928,284 A \* 7/1999 Mehdizadeh ..... A61F 2/441  
606/247  
6,336,766 B1 \* 1/2002 De Villele ..... B65G 47/846  
403/13  
6,520,464 B1 \* 2/2003 Morrissey ..... F16B 9/023  
248/222.52  
D568,092 S \* 5/2008 Boes ..... D7/354  
D669,301 S \* 10/2012 Lavy ..... D7/352  
D677,526 S \* 3/2013 Wade ..... D7/402  
D683,585 S \* 6/2013 Nordwall ..... D7/379  
D695,600 S \* 12/2013 Fujioka ..... D8/382  
D771,999 S \* 11/2016 Kettavong ..... D7/376  
D776,519 S \* 1/2017 Almaghlouth ..... D8/399  
D789,139 S \* 6/2017 Repac ..... D7/376  
D845,063 S \* 4/2019 Marques, Jr. .... D7/354  
D851,988 S \* 6/2019 Nilssen ..... D7/402  
D854,875 S \* 7/2019 Tan ..... D7/354  
10,413,120 B2 \* 9/2019 Zhan ..... A47J 37/0611  
D873,650 S \* 1/2020 Brandt ..... D8/382  
2002/0172550 A1 \* 11/2002 Uhler ..... F01N 13/008  
403/348  
2011/0047753 A1 \* 3/2011 Yeh ..... H04M 1/0227  
16/342  
2013/0019759 A1 \* 1/2013 Tumenbatur ..... A47J 27/0802  
99/337  
2014/0341634 A1 \* 11/2014 Chatwin ..... F16B 21/02  
403/11  
2017/0049268 A1 \* 2/2017 Zhan ..... A47J 37/0611  
2017/0224156 A1 \* 8/2017 Chang ..... A47J 37/0611  
2018/0177660 A1 \* 6/2018 Davies ..... F16B 2/005  
2020/0115154 A1 \* 4/2020 Roman ..... B65D 90/0013

\* cited by examiner

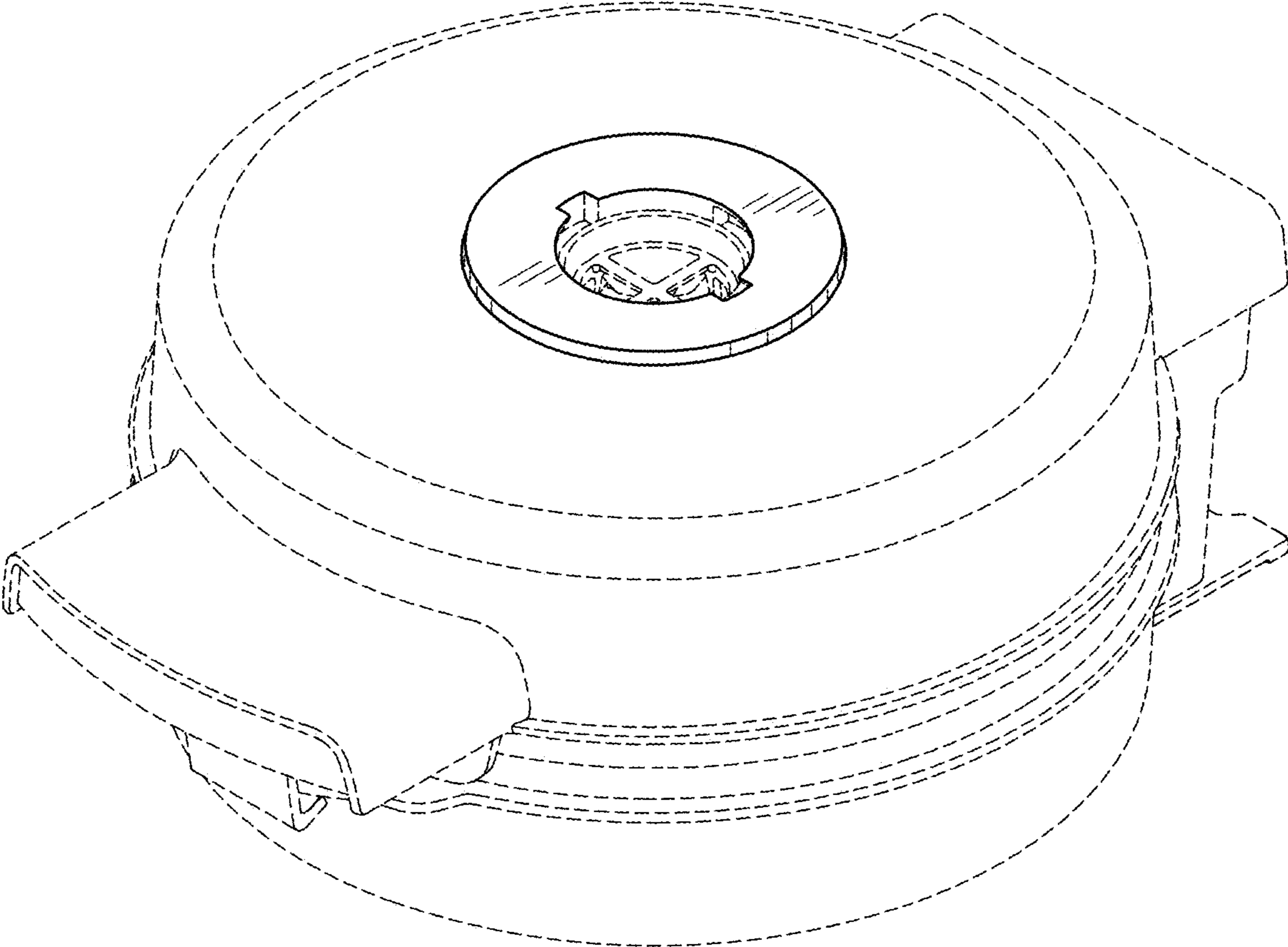


FIG. 1

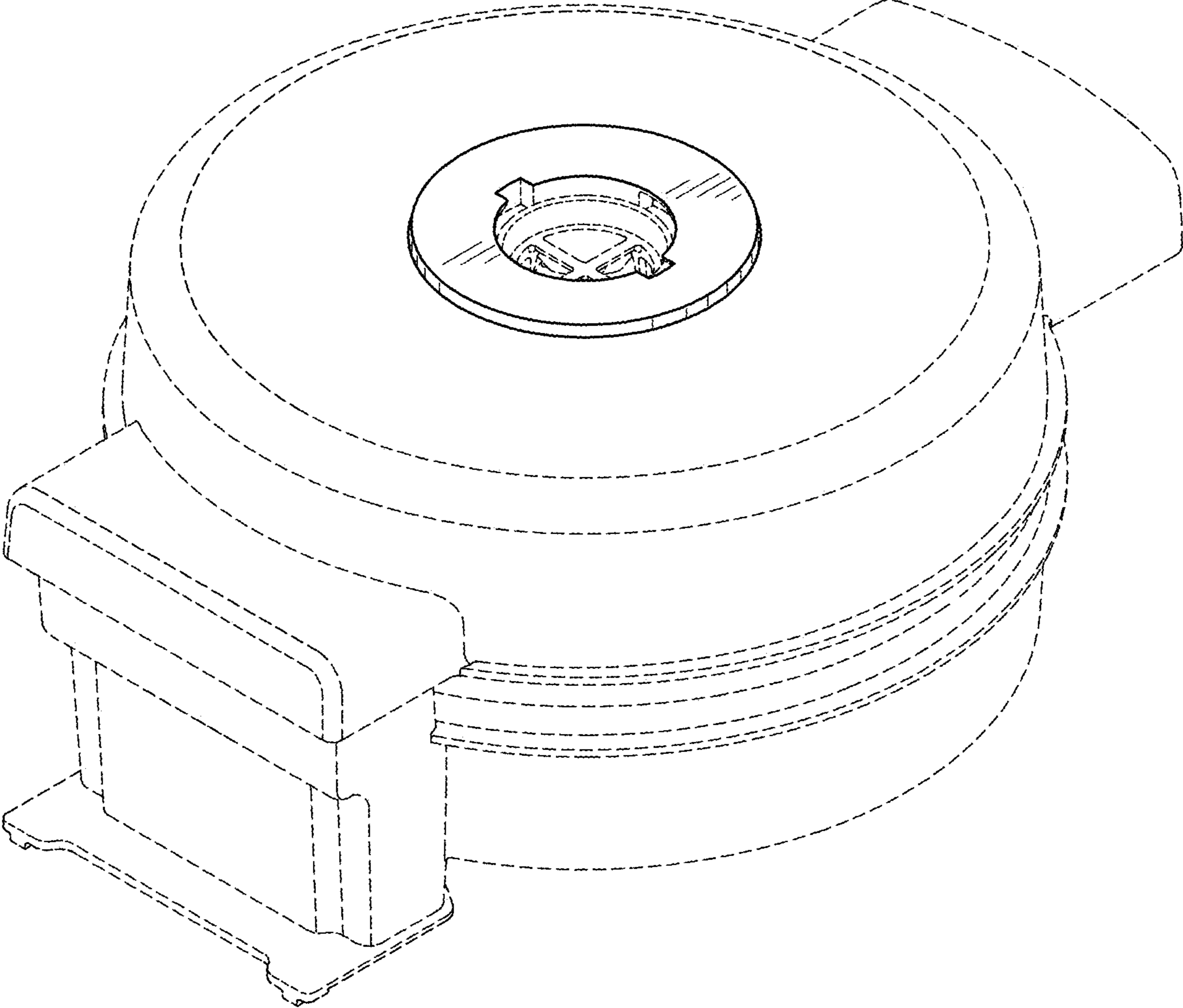


FIG.2

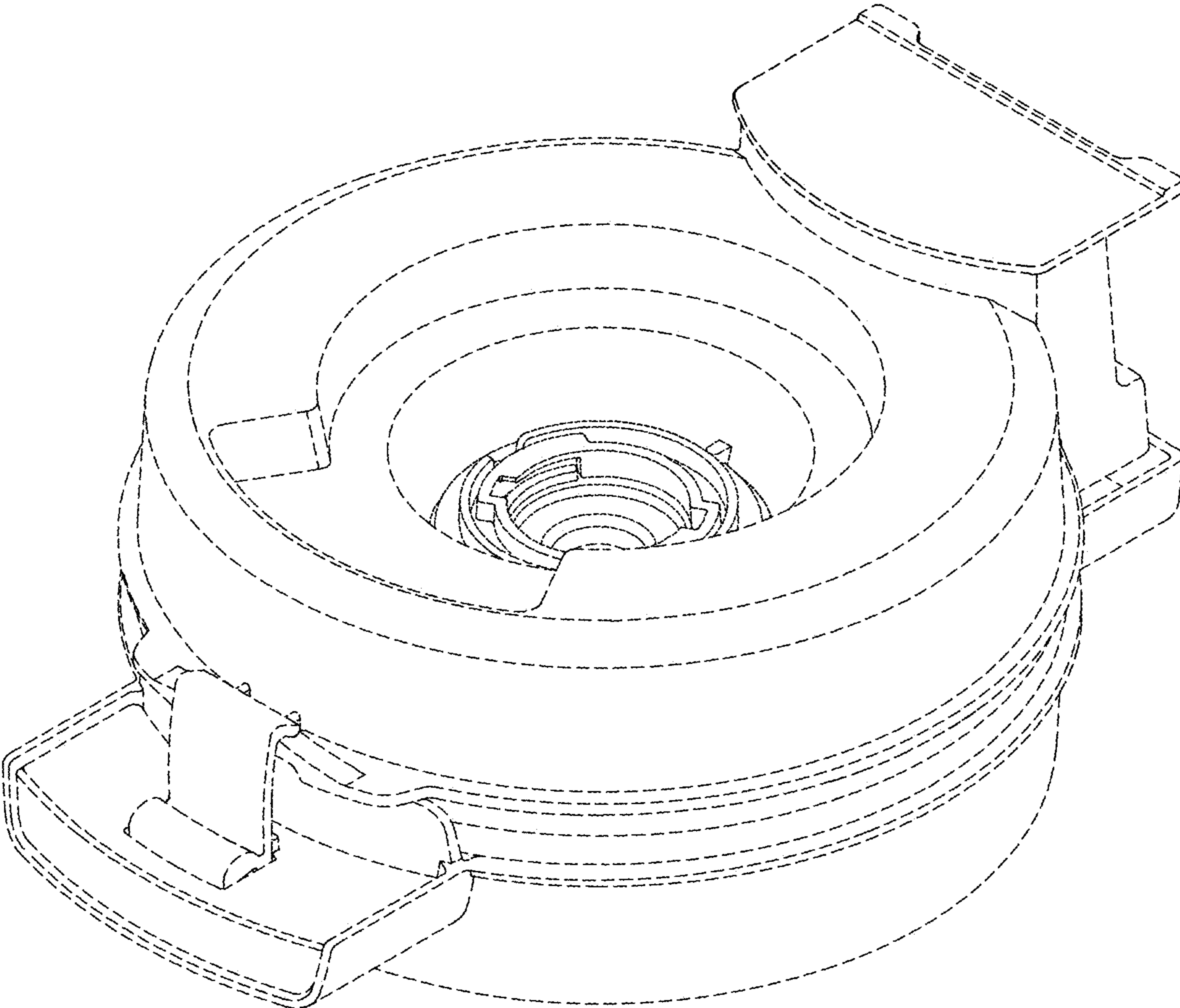


FIG.3

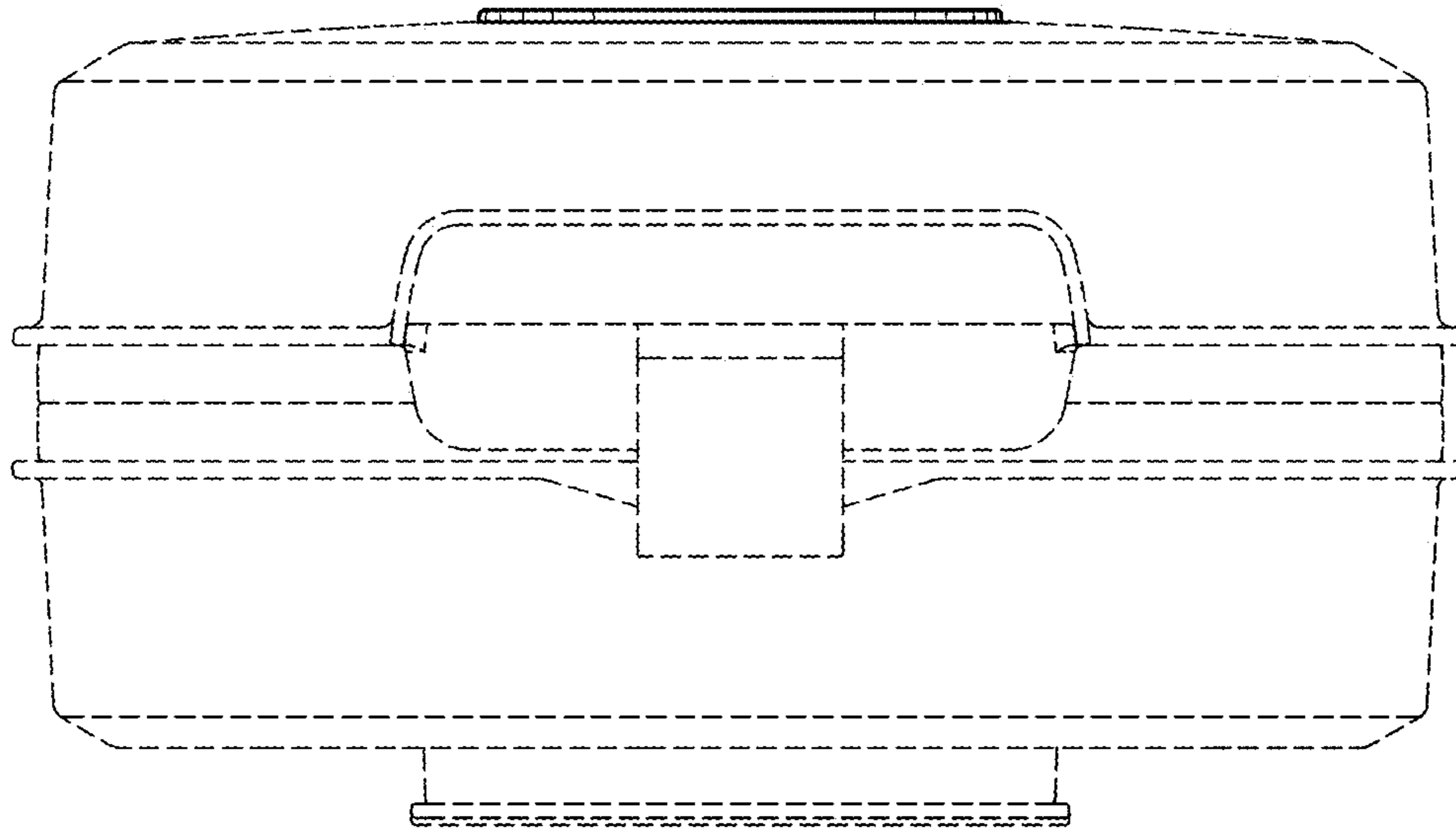


FIG. 4

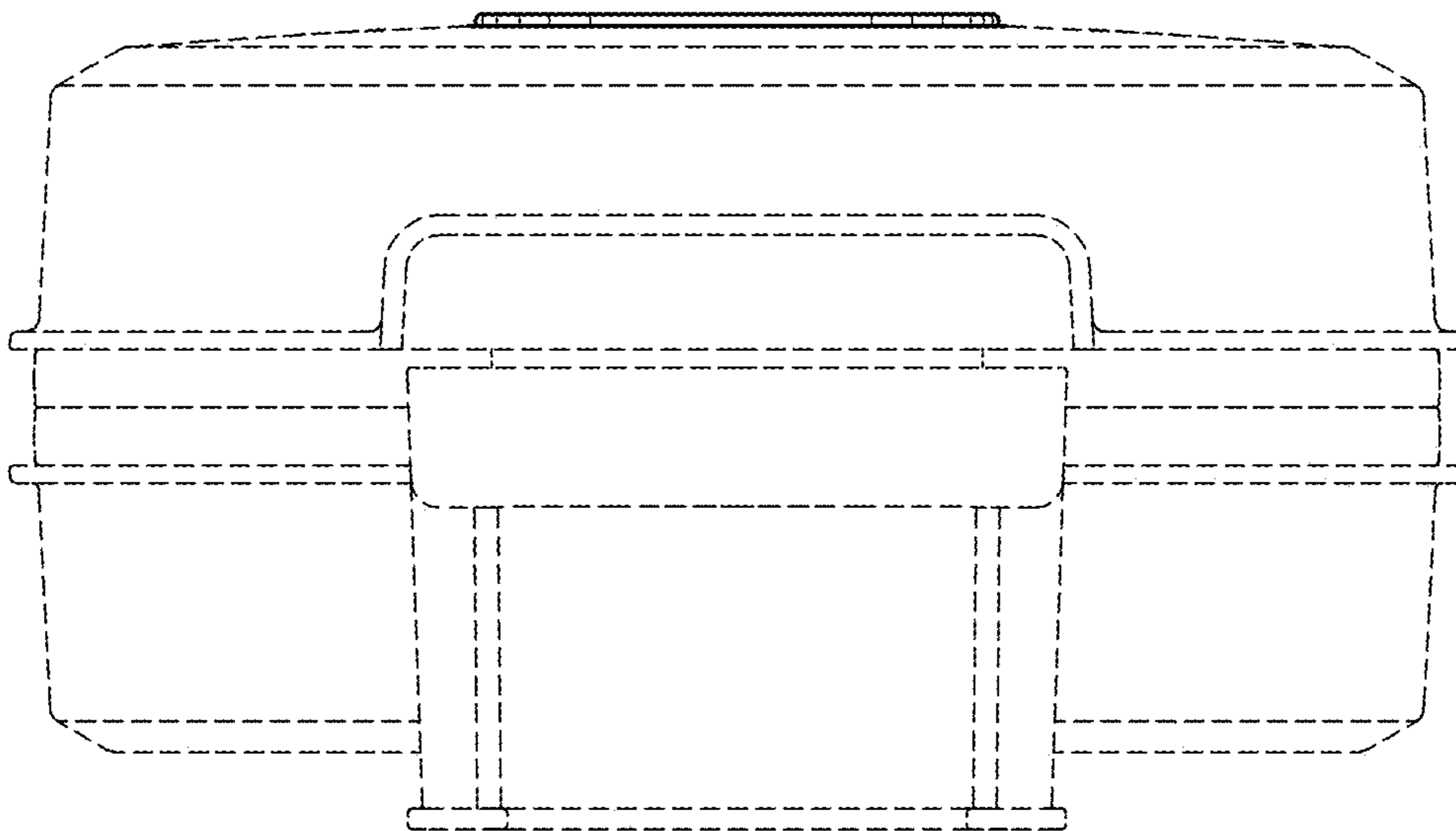


FIG. 5

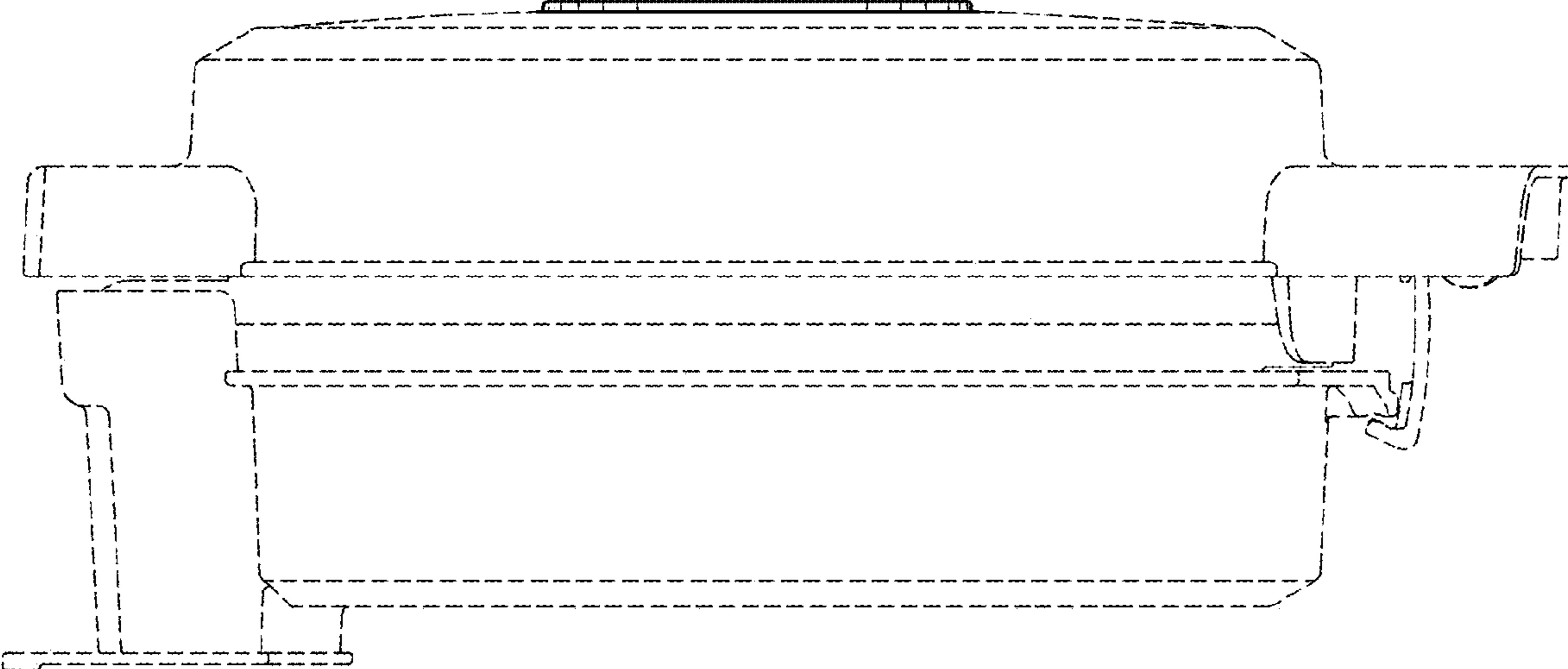


FIG. 6

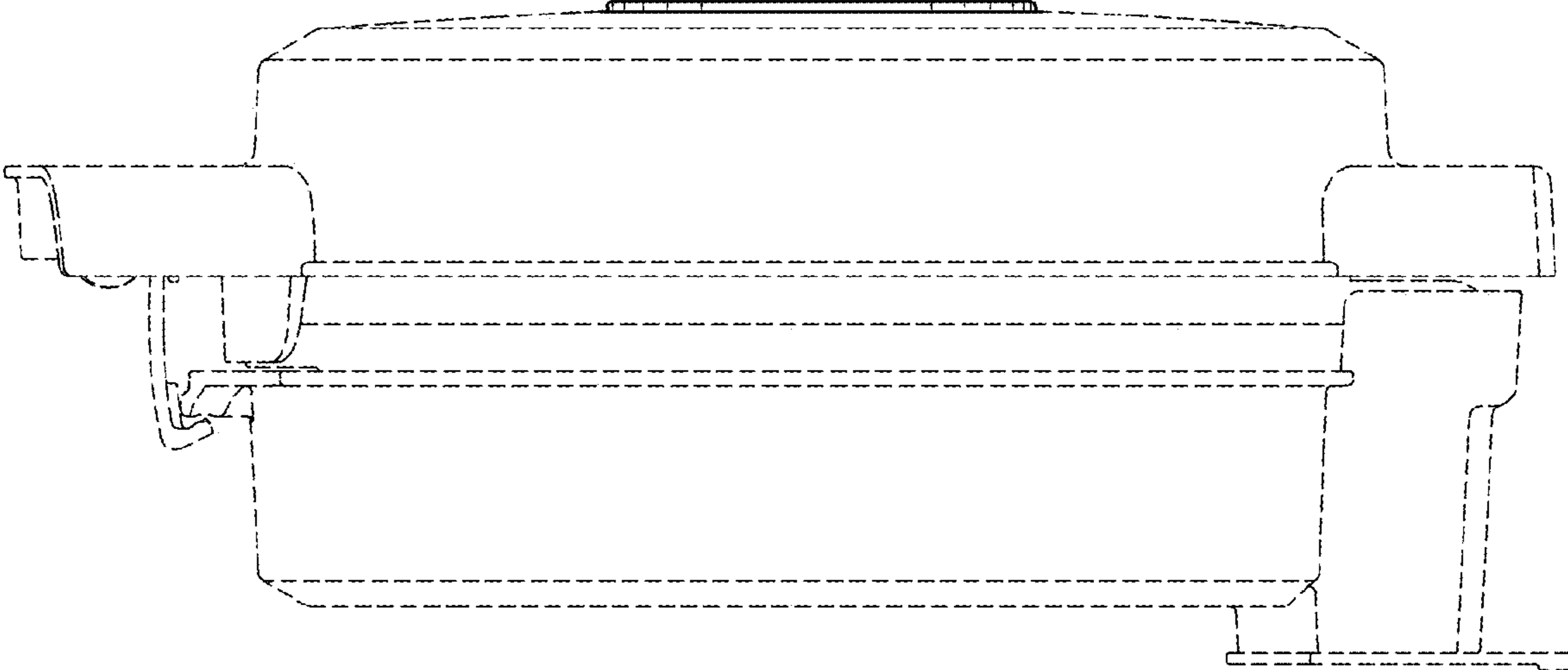


FIG. 7

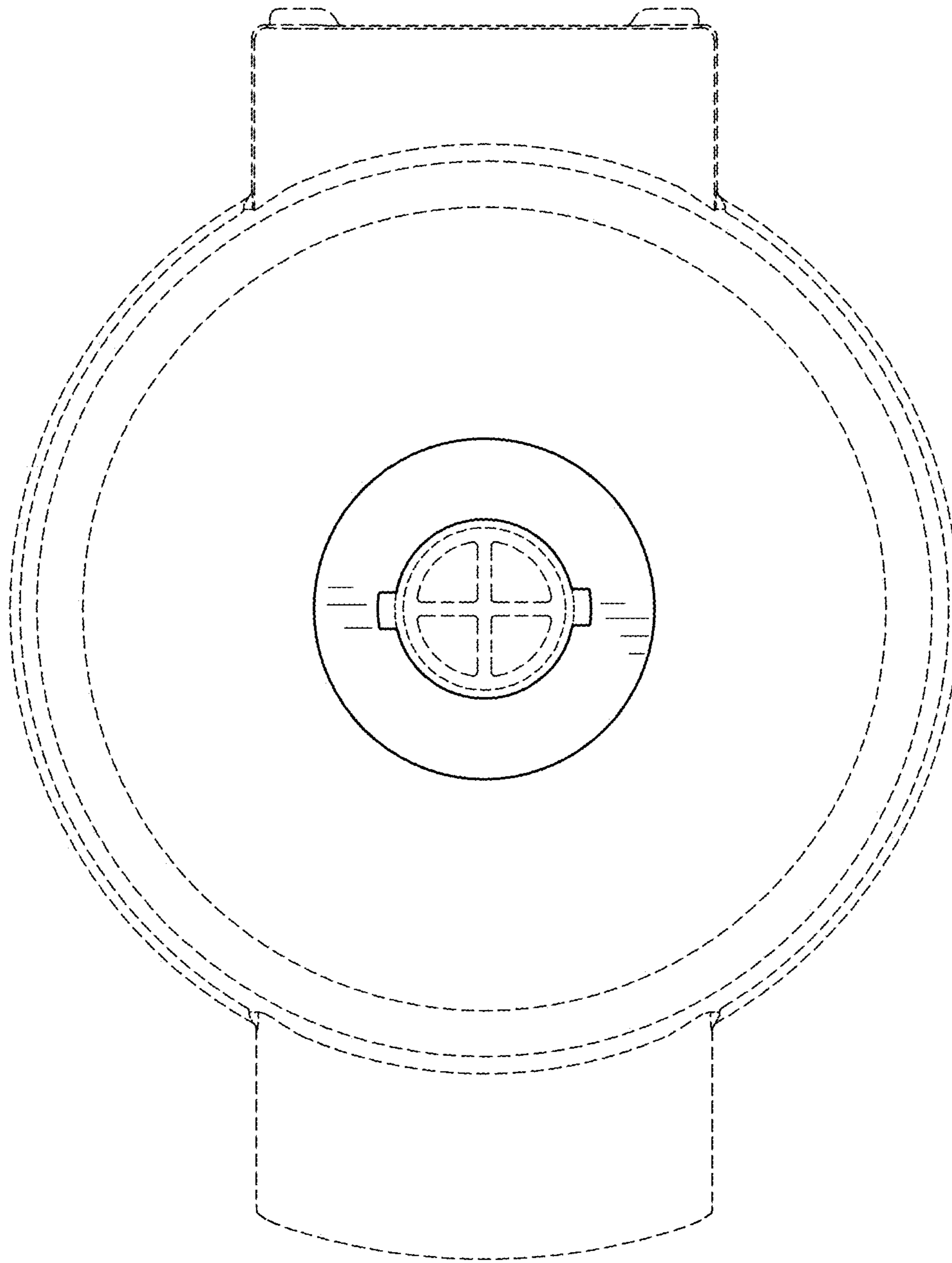


FIG.8



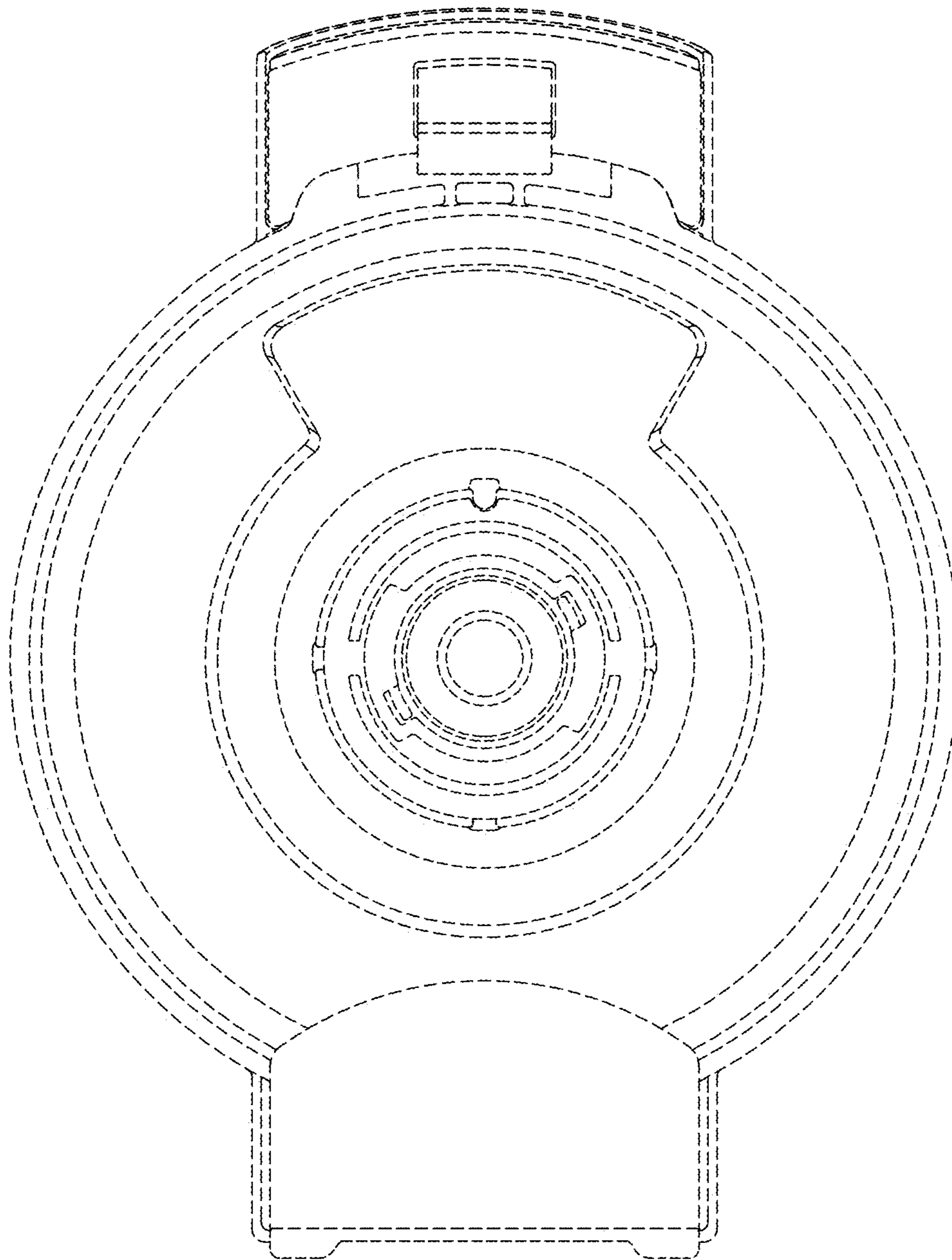


FIG.9