



US00D895355S

(12) **United States Design Patent** (10) **Patent No.:** **US D895,355 S**
Mikkelsen et al. (45) **Date of Patent:** **** Sep. 8, 2020**

(54) **NEEDLE ARRANGEMENT**
(71) Applicant: **Keurig Green Mountain, Inc.**,
Burlington, MA (US)
(72) Inventors: **Blair Mikkelsen**, Chelmsford, MA
(US); **Joseph George Fucci**, Amherst,
NH (US); **Robert Dana Cassano**,
Natick, MA (US)
(73) Assignee: **Keurig Green Mountain, Inc.**,
Burlington, MA (US)
(**) Term: **15 Years**
(21) Appl. No.: **29/668,466**
(22) Filed: **Oct. 30, 2018**
(51) **LOC (12) Cl.** **07-99**
(52) **U.S. Cl.**
USPC **D7/397; D7/399; D23/259**
(58) **Field of Classification Search**
USPC D7/300, 397, 387, 398, 399, 400, 305;
D23/259; D24/112
CPC B67B 7/26; B67D 3/041
See application file for complete search history.

D775,341 S * 12/2016 Holland D24/162
D778,410 S * 2/2017 Smith D23/259
D783,132 S * 4/2017 Smith D23/259
D797,904 S * 9/2017 Smith D23/259
D804,234 S * 12/2017 Cedergren D7/305
D808,263 S * 1/2018 Patel D9/436
D845,486 S * 4/2019 Holland D24/162
2015/0335872 A1* 11/2015 Yang A61B 17/064
604/46
2016/0229677 A1 8/2016 Girault et al.
2020/0114136 A1* 4/2020 Nangou A61K 9/70

FOREIGN PATENT DOCUMENTS

CN 203252455 U 10/2013
WO WO 2002/074144 A2 9/2002

* cited by examiner

Primary Examiner — Marianne N Pandozzi
(74) *Attorney, Agent, or Firm* — Wolf, Greenfield &
Sacks, P.C.

(57) **CLAIM**

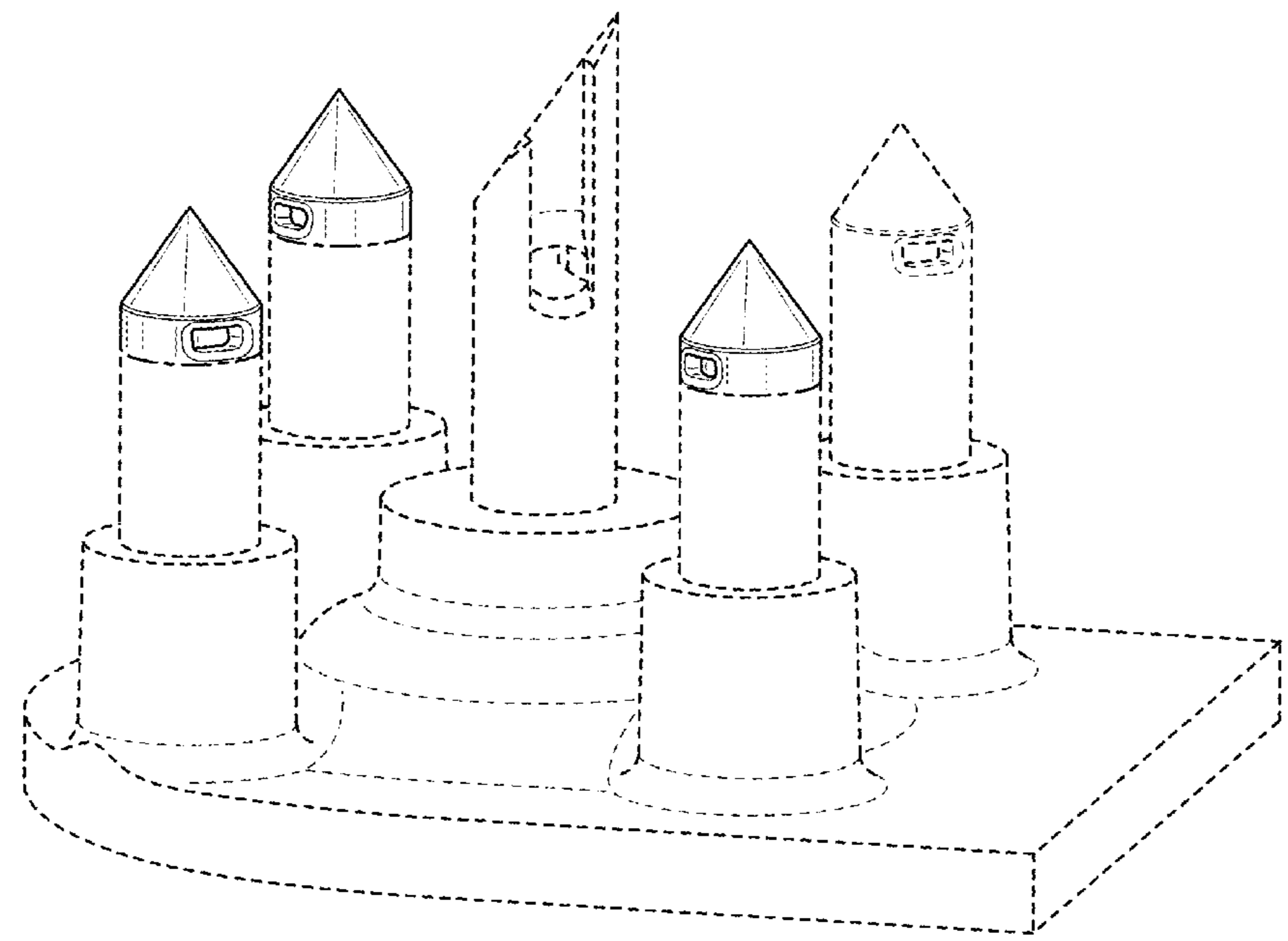
The ornamental design for a needle arrangement, as shown
and described.

DESCRIPTION

FIG. 1 is a bottom, rear, left side perspective view of a
needle arrangement;
FIG. 2 is a front view thereof;
FIG. 3 is a rear view thereof;
FIG. 4 is a left side view thereof;
FIG. 5 is a right side view thereof; and,
FIG. 6 is a bottom plan view thereof.
The long dash-short dash lines immediately adjacent the
shaded areas represent the bounds of the claimed design.
The broken lines shown illustrate portions of the needle
arrangement that form no part of the claimed design.

1 Claim, 6 Drawing Sheets

(56) **References Cited**
U.S. PATENT DOCUMENTS
D280,692 S * 9/1985 Sullivan D7/387
D357,733 S * 4/1995 Matkovich D24/112
D403,398 S * 12/1998 Guala D24/112
D458,843 S * 6/2002 Jensen D9/440
6,607,762 B2 8/2003 Lazaris et al.
6,644,173 B2 11/2003 Lazaris et al.
D536,925 S * 2/2007 Macler D7/387
D581,212 S * 11/2008 Macler D7/397
D640,092 S * 6/2011 Aardenburg D7/397
D689,605 S * 9/2013 Bellenoit D24/112



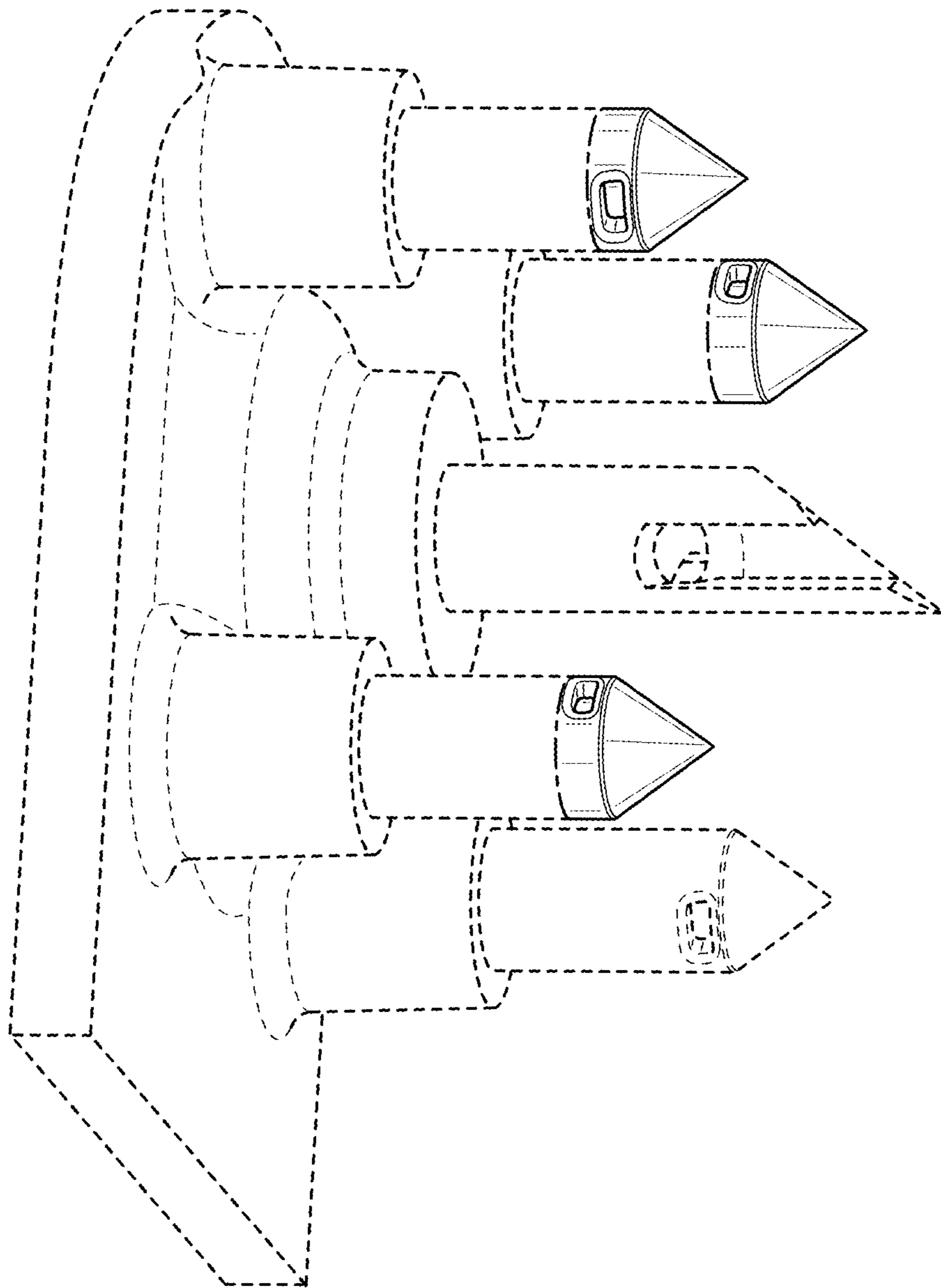


FIG. 1

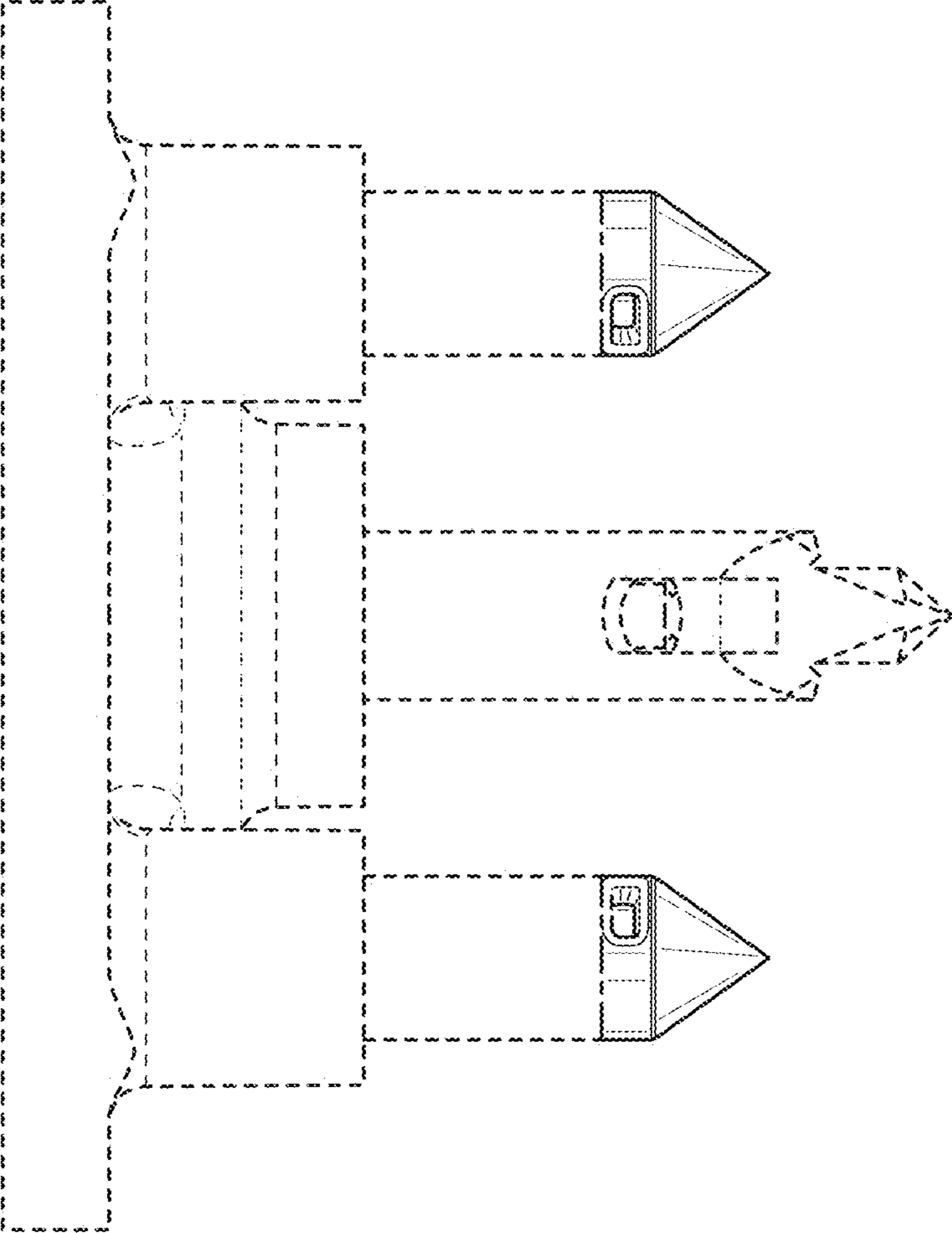


FIG. 2

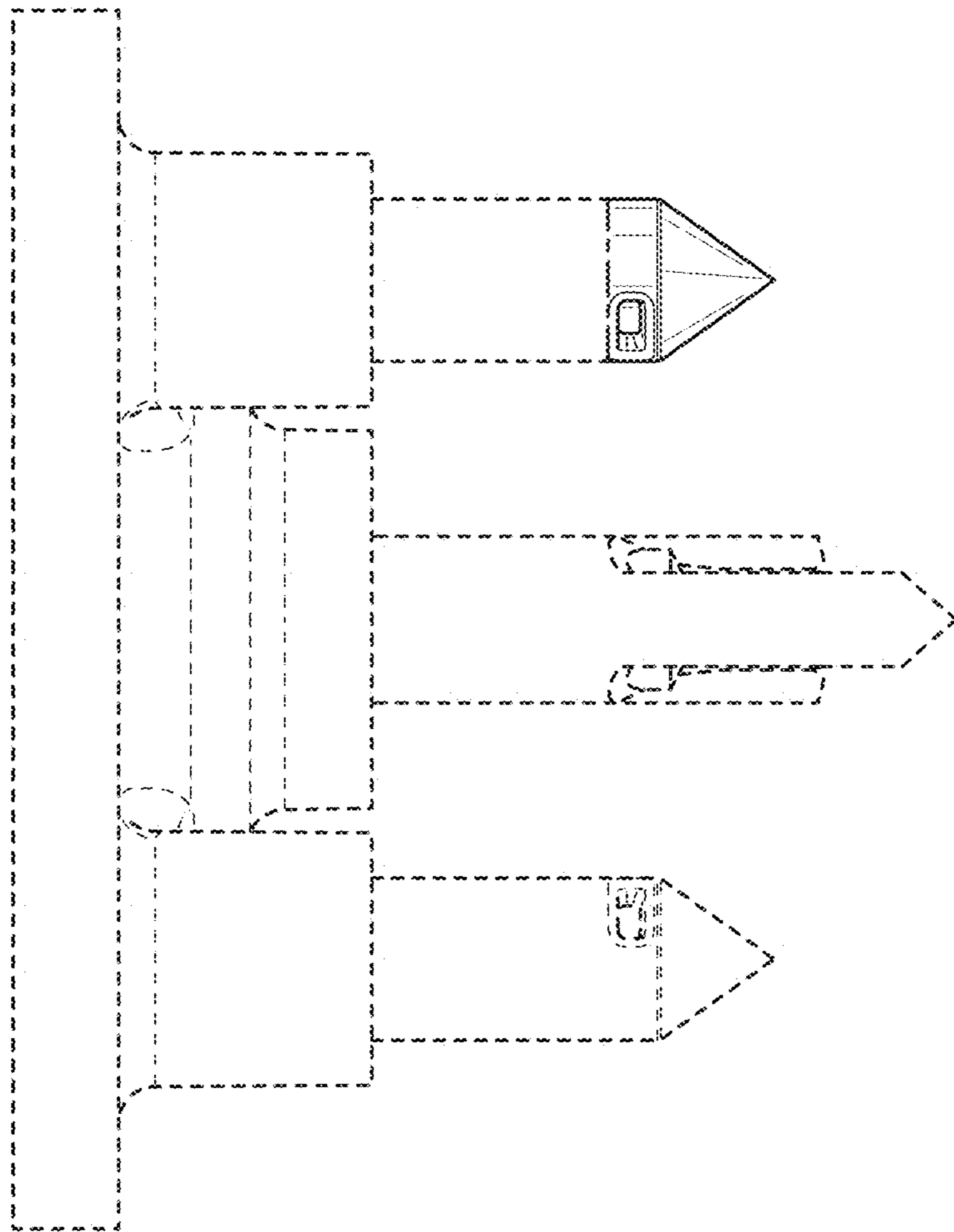


FIG. 3

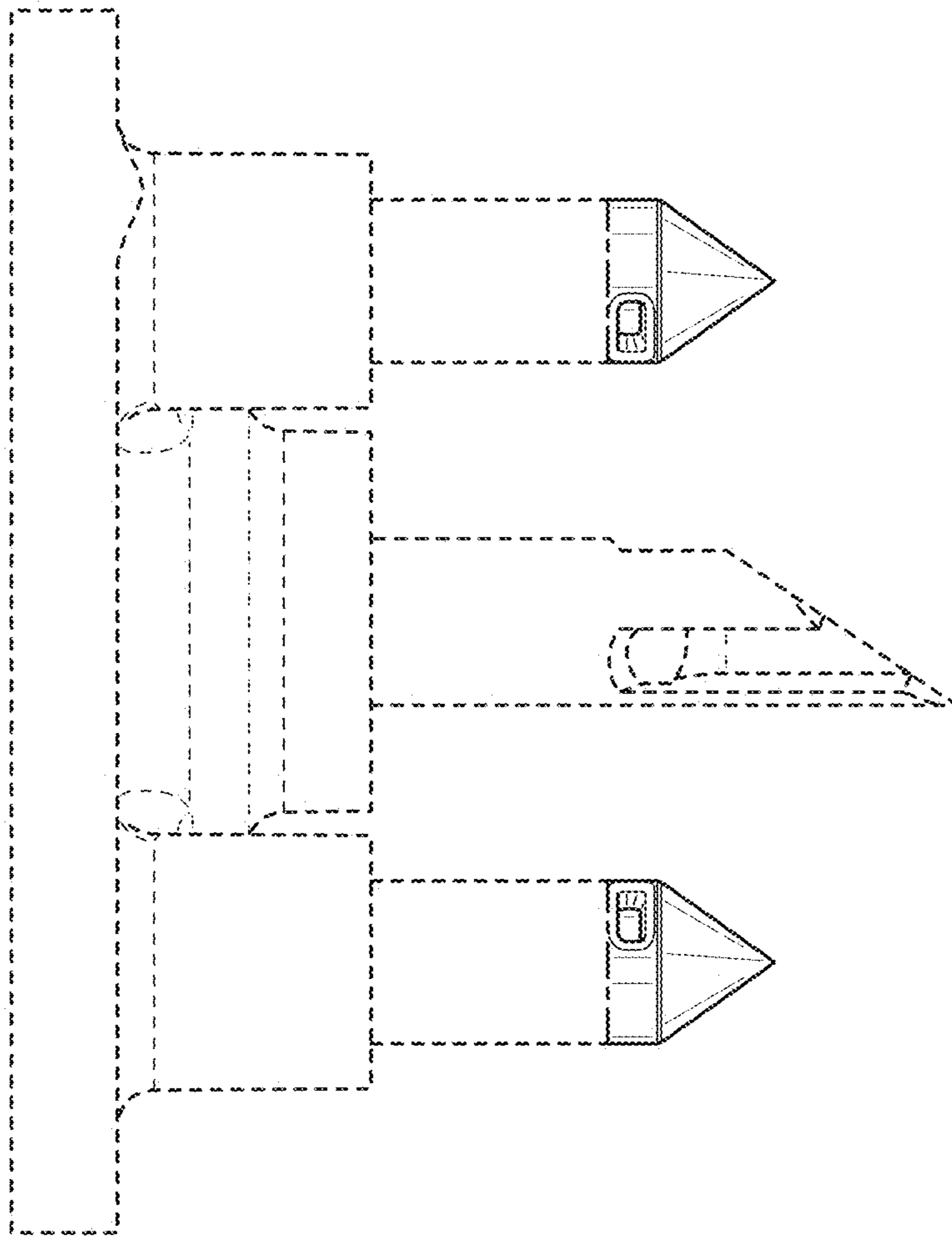


FIG. 4

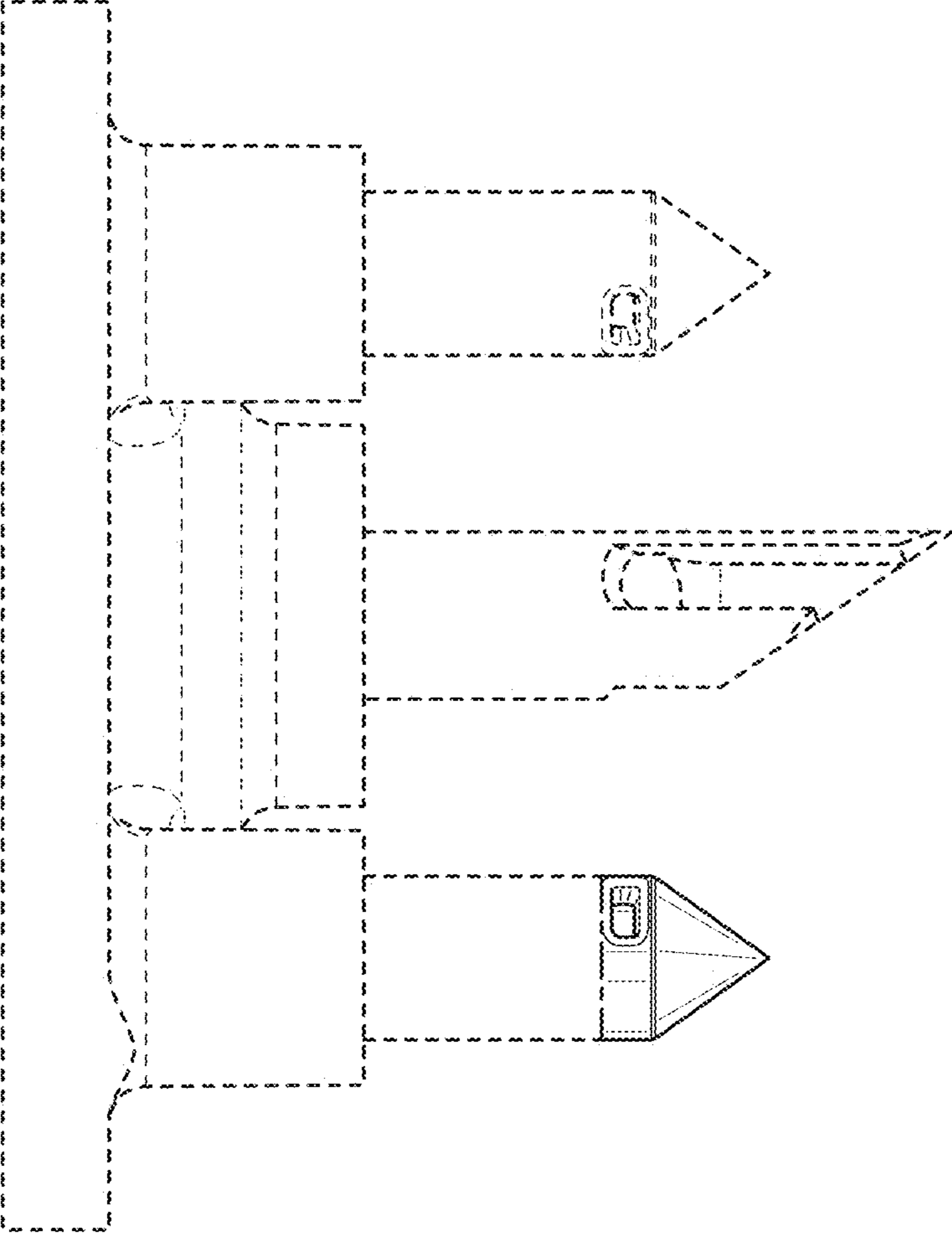


FIG. 5

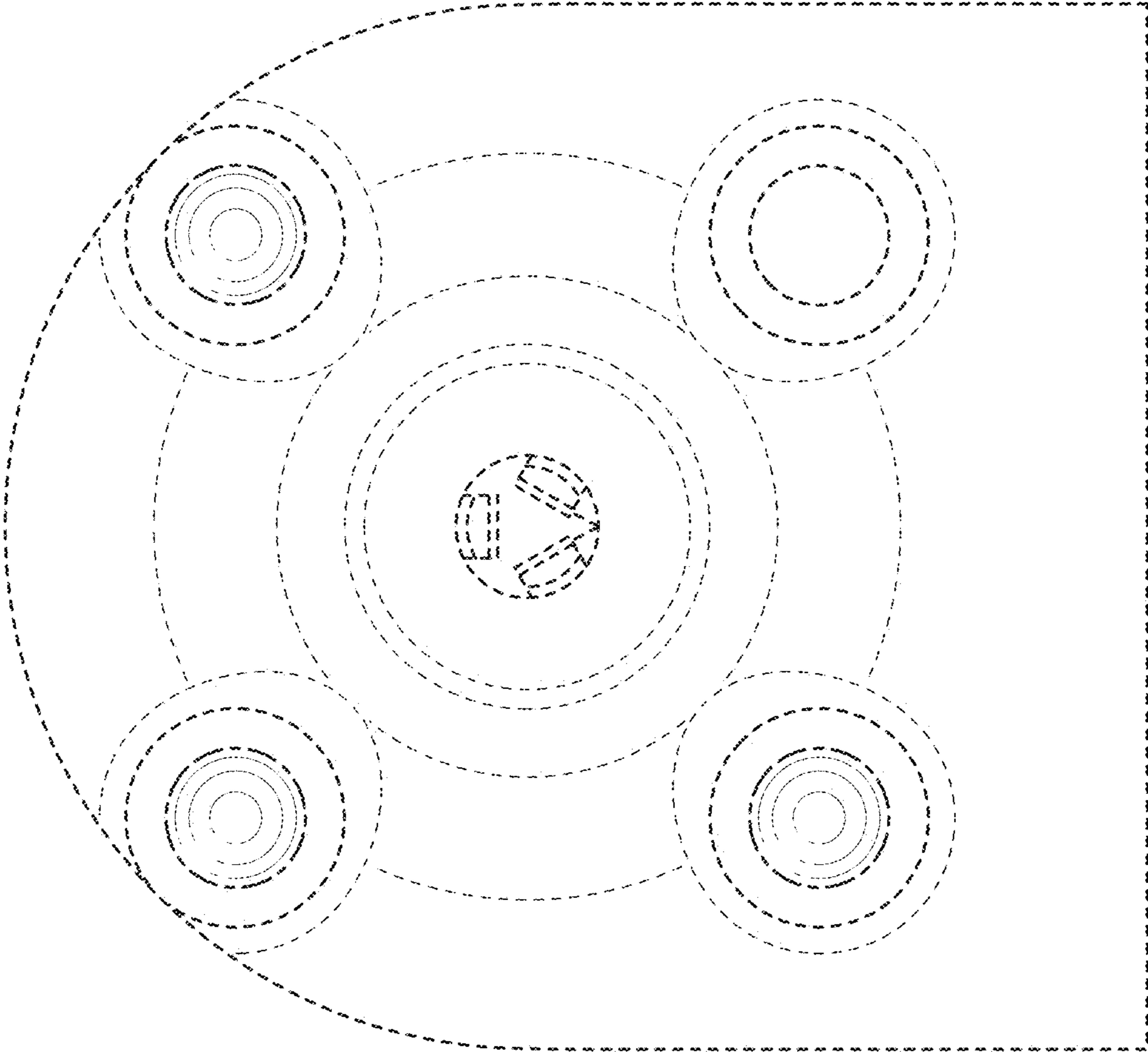


FIG. 6