



US00D895354S

(12) **United States Design Patent**  
**Aoki et al.**

(10) **Patent No.:** **US D895,354 S**

(45) **Date of Patent:** **\*\* Sep. 8, 2020**

(54) **REMOVABLE HANDLE FOR COOKWARE**

(71) Applicant: **FUJITA METAL MFG.CO., LTD.**,  
Osaka (JP)

(72) Inventors: **Ryosaku Aoki**, Tokyo (JP); **Masayuki Haruta**, Tokyo (JP)

(73) Assignee: **FUJITA METAL MFG.CO., LTD.**,  
Osaka (JP)

(\*\*) Term: **15 Years**

(21) Appl. No.: **29/695,828**

(22) Filed: **Jun. 21, 2019**

(51) **LOC (12) Cl.** ..... **07-02**

(52) **U.S. Cl.**

USPC ..... **D7/395**

(58) **Field of Classification Search**

USPC ..... D7/354-361, 393-395, 401.2, 664;  
D8/107, 300, 303, 307, 313, 321;  
D4/138, 129

CPC ..... A47J 45/06; A47J 45/061; A47J 45/62;  
A47J 45/07; A47J 45/071; A47J 45/08;  
A47J 45/085; A47J 45/10; A47J 45/072;  
B65D 25/2802; B65D 25/2882; B65D  
25/2885; B65D 25/2888; B65D 25/2894;  
Y10S 220/912

See application file for complete search history.

(56) **References Cited**

**U.S. PATENT DOCUMENTS**

D477,181 S \* 7/2003 Dodane ..... D7/395  
D720,572 S \* 1/2015 Dodane ..... D7/395

D745,803 S \* 12/2015 Dodane ..... D7/395  
D814,858 S \* 4/2018 Dodane ..... D7/393  
2003/0145430 A1\* 8/2003 Wang ..... A47J 45/10  
16/422

\* cited by examiner

*Primary Examiner* — Cynthia M. Chin

(74) *Attorney, Agent, or Firm* — W&C IP

(57) **CLAIM**

The ornamental design for a removable handle for cookware, as shown and described.

**DESCRIPTION**

FIG. 1 is a perspective view of a removable handle for cookware;

FIG. 2 is a front view thereof;

FIG. 3 is a rear view thereof;

FIG. 4 is a left side view thereof;

FIG. 5 is a right side view thereof;

FIG. 6 is a top plan view thereof;

FIG. 7 is a bottom plan view thereof;

FIG. 8 is a front view showing the slide state thereof;

FIG. 9 is a top plan view showing the slide state thereof; and,

FIG. 10 is a bottom plan view showing the slide state thereof, showing our new design.

The design shown is not to be limited to any particular size and may be scaled larger or smaller.

**1 Claim, 6 Drawing Sheets**

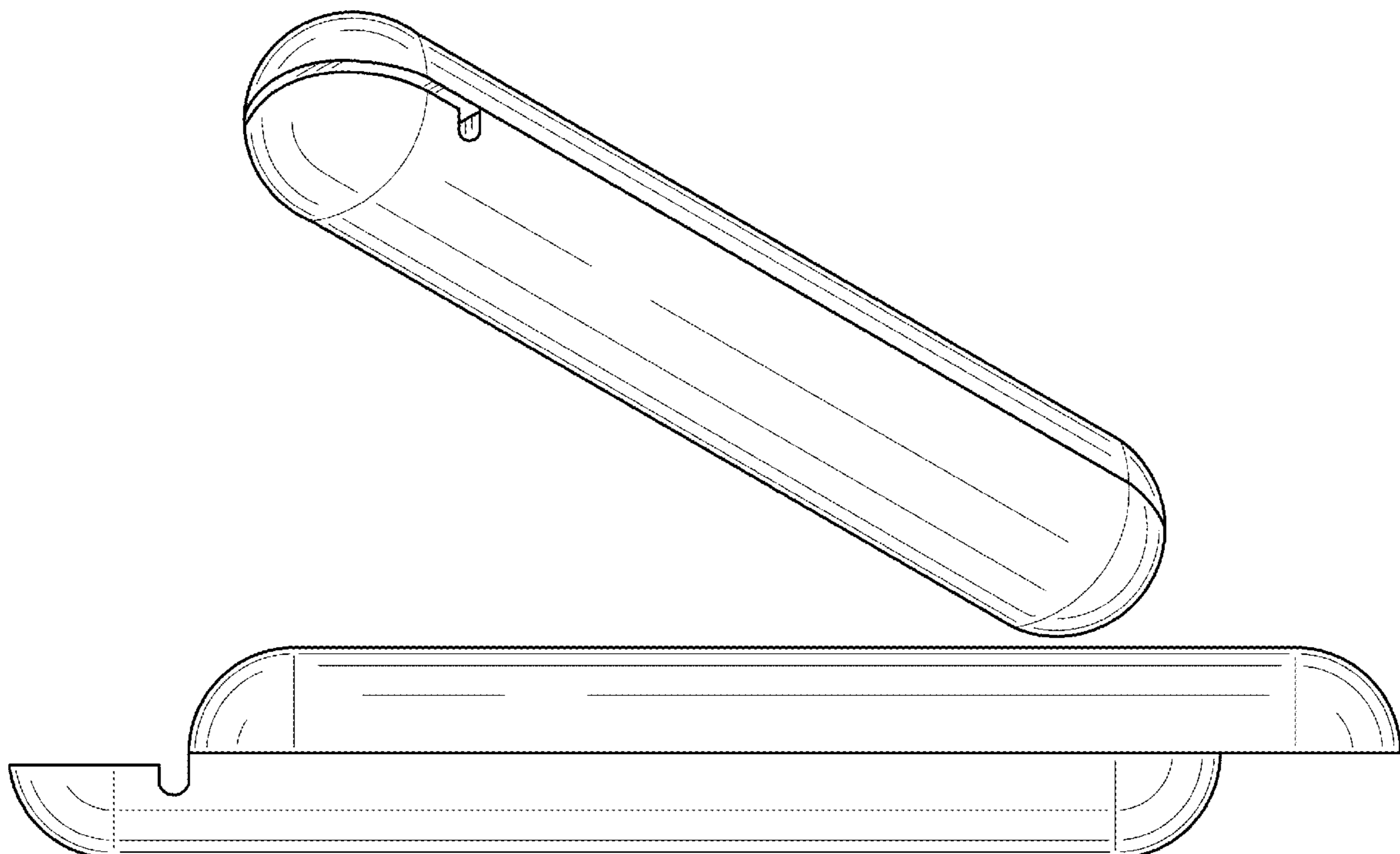


FIG. 1

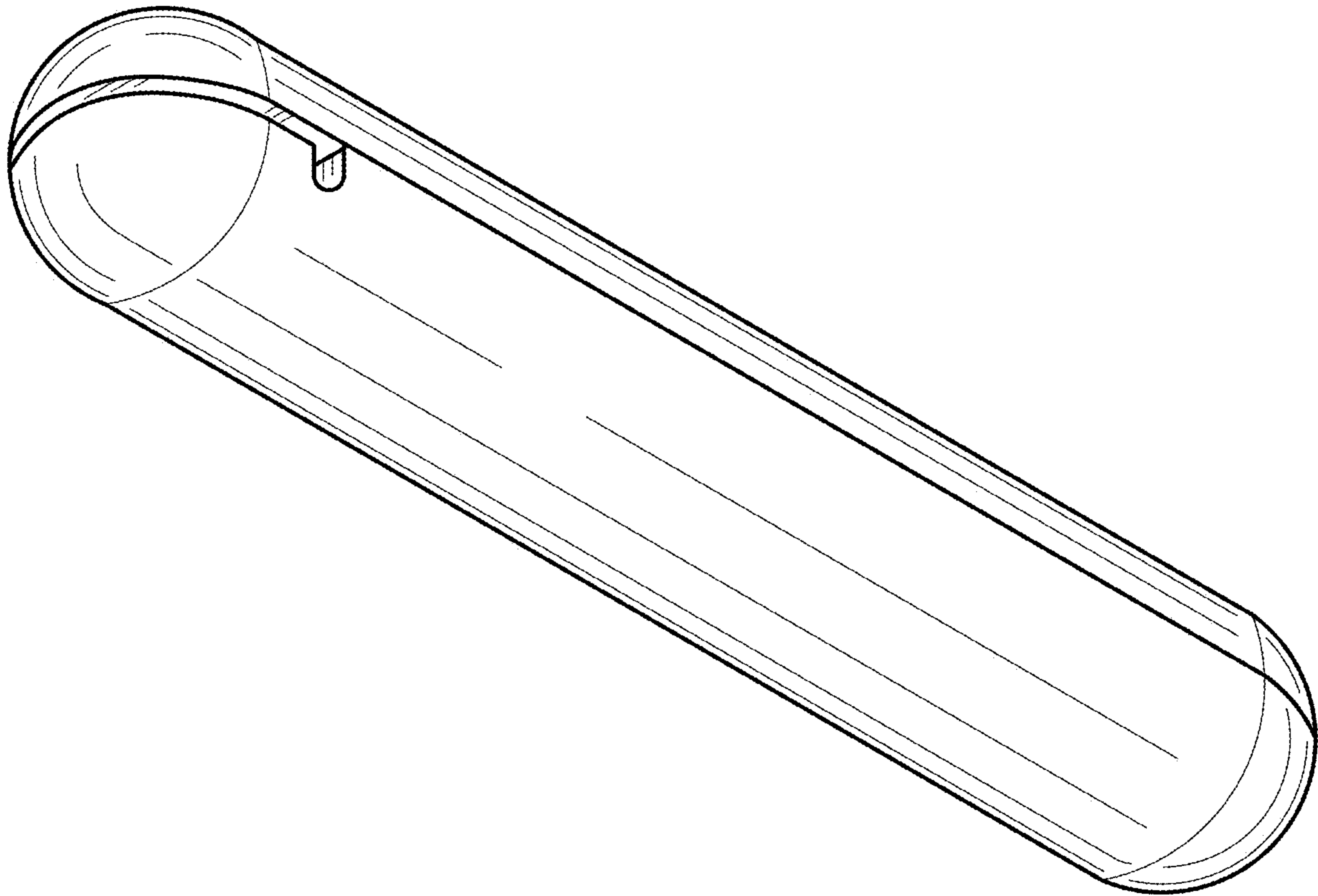


FIG. 2

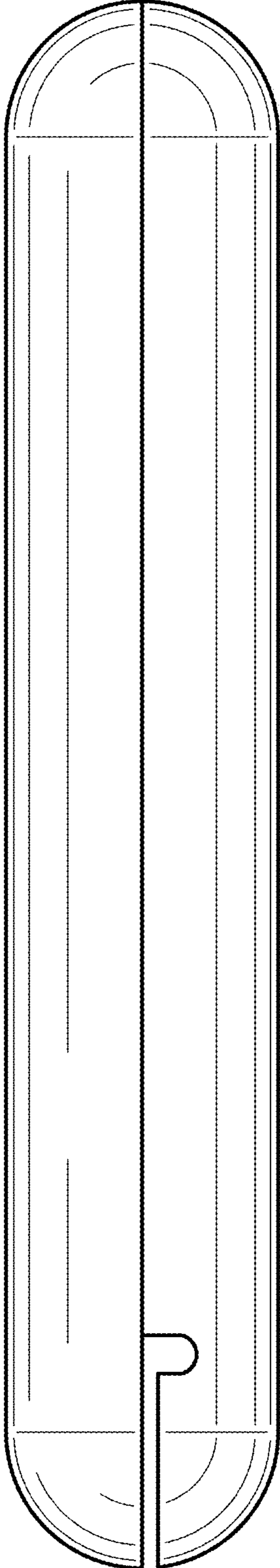


FIG. 3

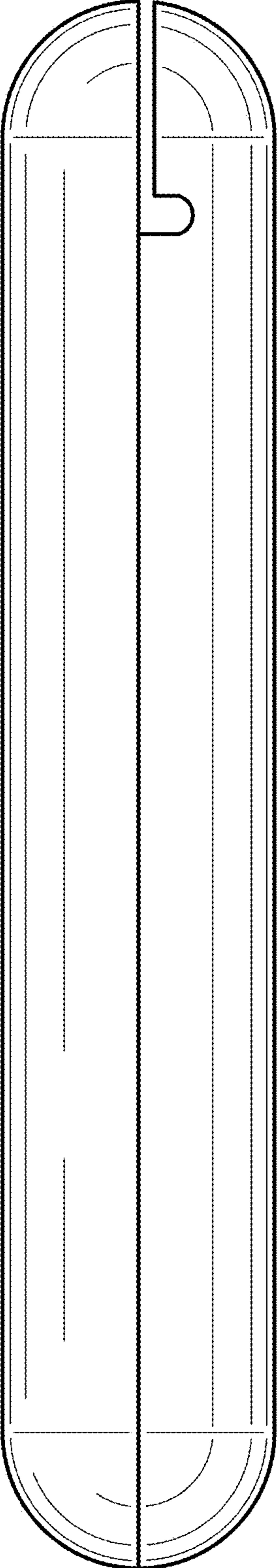


FIG. 5

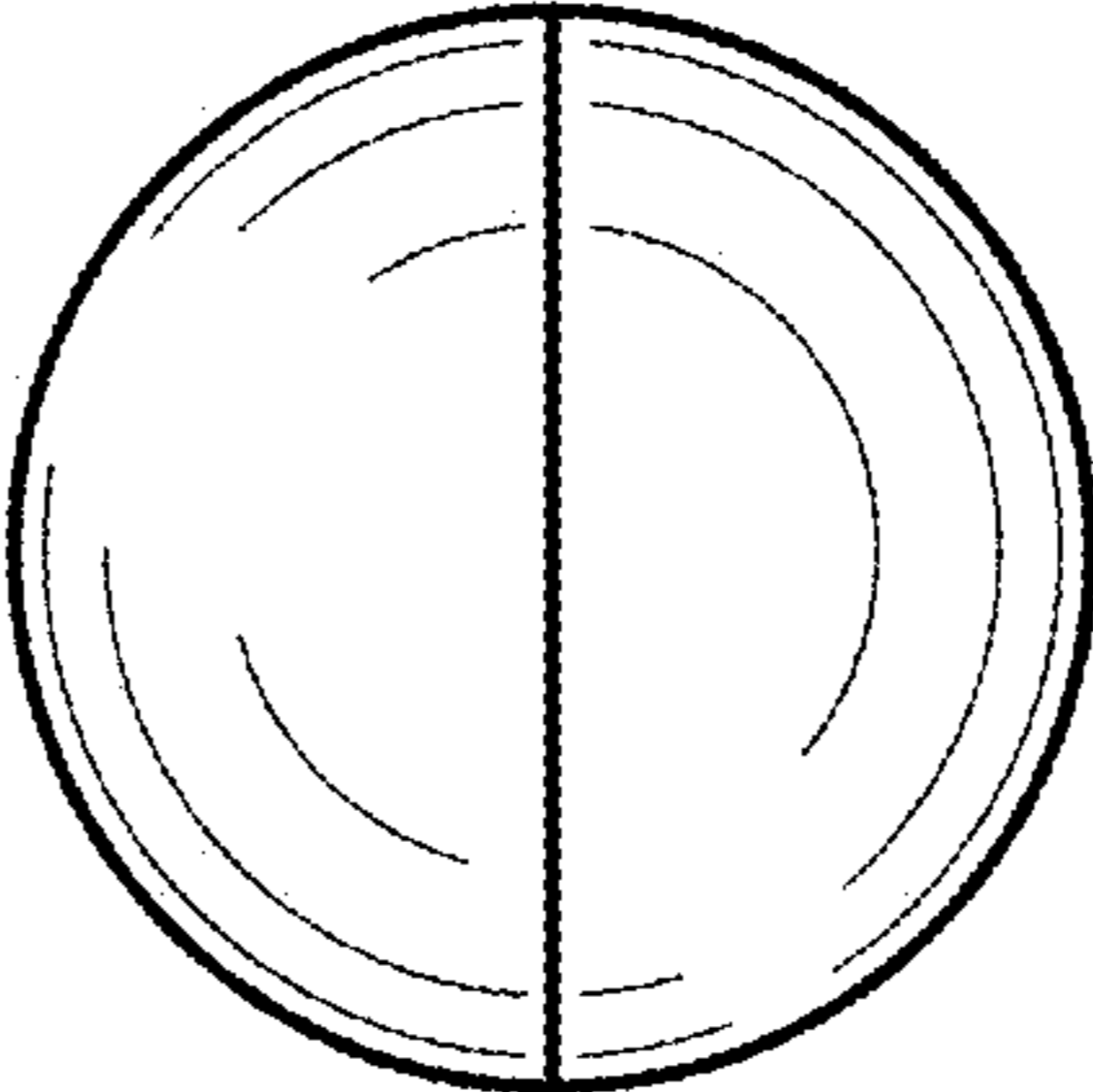


FIG. 4

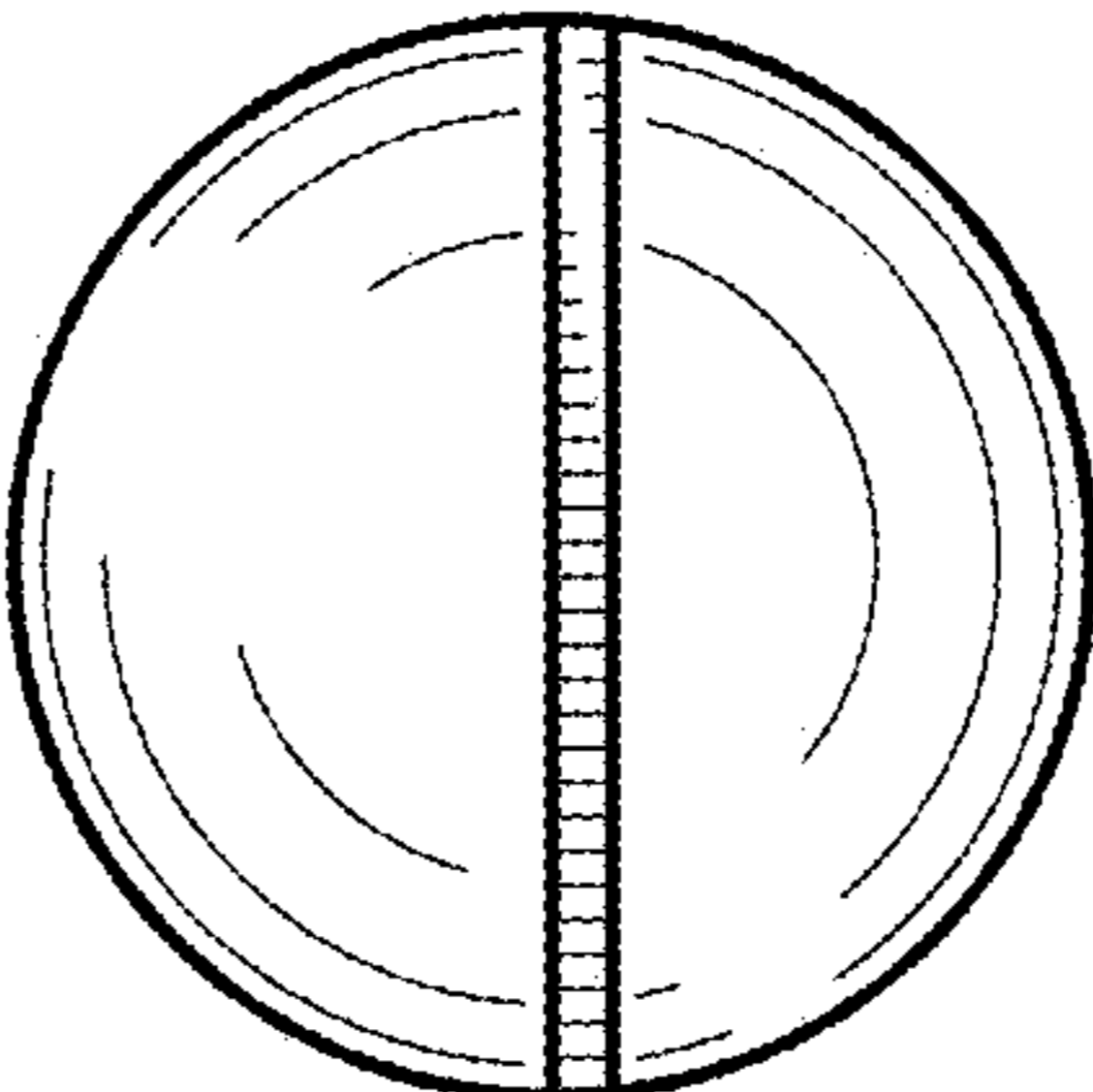


FIG. 6

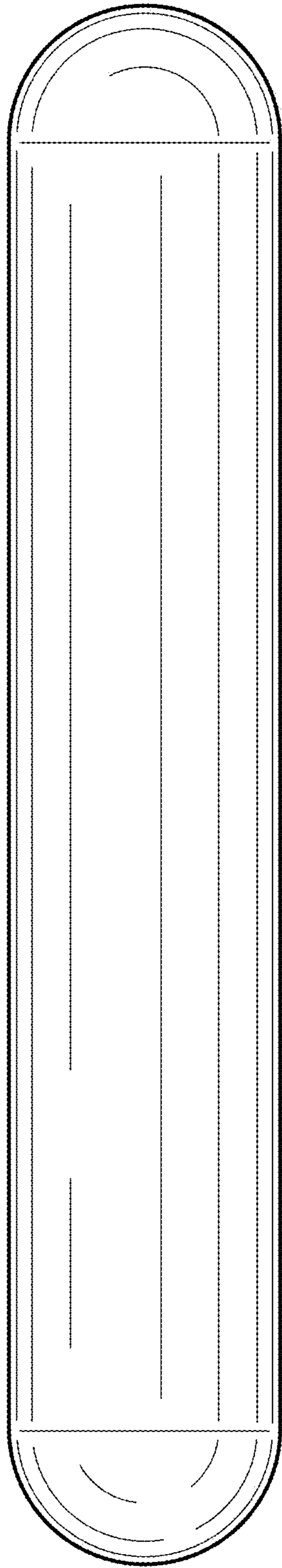


FIG. 7

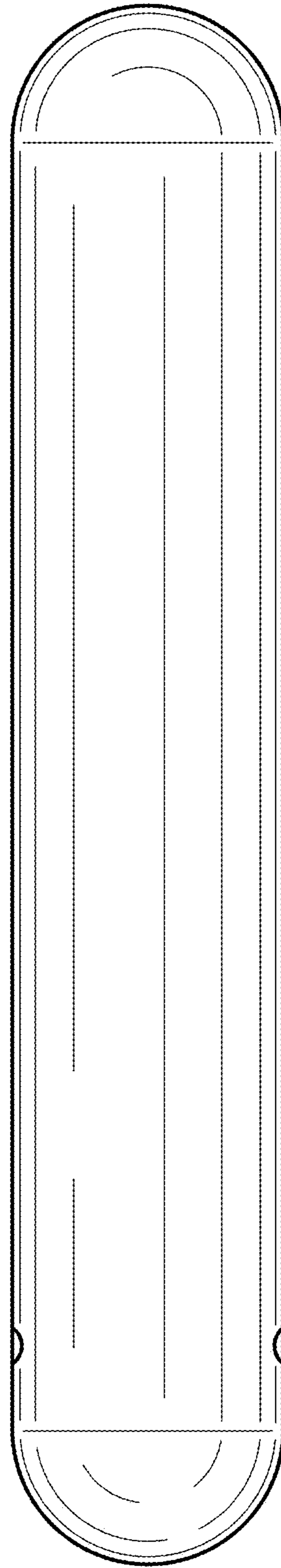




FIG. 8

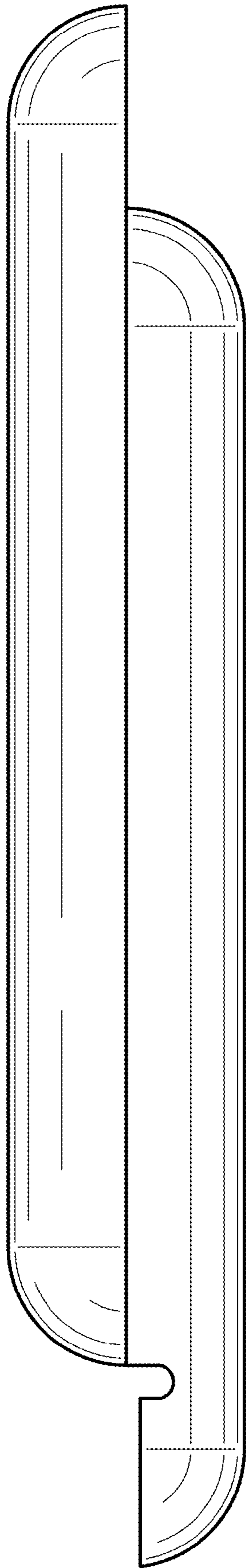


FIG. 9

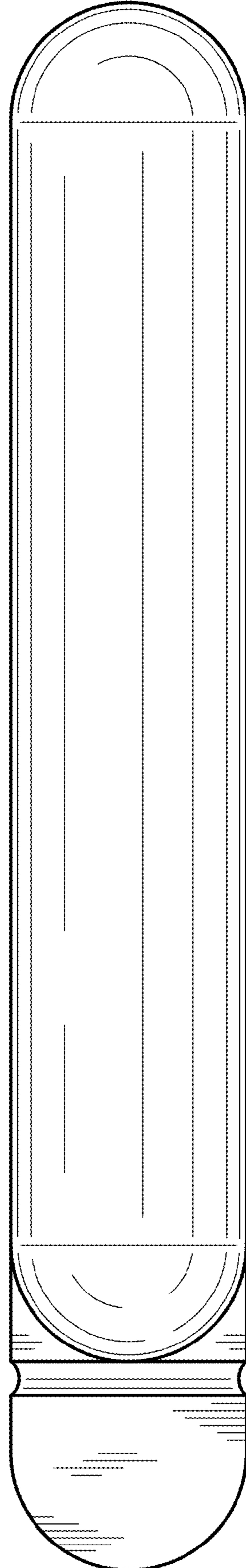


FIG. 10

