



US00D895353S

(12) **United States Design Patent** (10) **Patent No.:** **US D895,353 S**
Zheng (45) **Date of Patent:** **** Sep. 8, 2020**

(54) **LID WITH STRAW**

(71) Applicant: **Jianmo Zheng**, Putian (CN)

(72) Inventor: **Jianmo Zheng**, Putian (CN)

(**) Term: **15 Years**

(21) Appl. No.: **29/706,095**

(22) Filed: **Sep. 18, 2019**

(51) **LOC (12) Cl.** **07-01**

(52) **U.S. Cl.**

USPC **D7/392.1**

(58) **Field of Classification Search**

USPC D7/391, 392, 392.1, 396.1, 396.2, 397,
D7/509, 510, 543, 629; D9/435, 443,
D9/447, 449, 516

CPC B65D 47/305; B65D 47/066

See application file for complete search history.

(56) **References Cited**

U.S. PATENT DOCUMENTS

D649,879 S *	12/2011	Gullickson	D9/443
D652,256 S *	1/2012	Eyal	D7/510
D683,581 S *	6/2013	Archer	D7/392.1
D700,014 S *	2/2014	Zeanah	D7/510
D724,384 S *	3/2015	Donovan	D7/510
D729,569 S *	5/2015	Herbst	D7/392
D760,080 S *	6/2016	Gorbald	D9/443
D793,154 S *	8/2017	Sorensen	D7/392.1
D814,855 S *	4/2018	Hammer	D7/392.1
D870,508 S *	12/2019	Palkon	D7/392.1
2006/0226110 A1 *	10/2006	Choi	A47G 19/2266 215/228
2010/0193462 A1 *	8/2010	Roth	A47G 19/2288 215/229
2015/0173539 A1 *	6/2015	Mason	A47G 19/2272 220/707

OTHER PUBLICATIONS

“New Wave Enviro Stainless Bottle”. Found online Jan. 3, 2020 at amazon.com. Page dated Sep. 20, 2007. Retrieved from https://

www.amazon.com/New-Wave-Enviro-Stainless-Blue/dp/B000H1VKX1/ref=cm_cr_ar_p_d_product_top?ie=UTF8.*

“Unibos Flip Straw Bottle”. Found online Jan. 3, 2020 at amazon.co.uk. Page dated Apr. 25, 2015. Retrieved from https://www.amazon.co.uk/Unibos-Tritan-Drinks-Hydration-Cycling/dp/B00WODRMZC/ref=sr_1_149?dchild=1&keywords=STRAW+bottle&qid=1578082044&sr=8-149.*

“Takeya Actives Straw Lid”. Found online Jan. 3, 2020 at amazon.com. Page dated Apr. 5, 2018. Retrieved from https://www.amazon.com/...1lxVzVLElyTTVMNSZ3aWRnZXROYW1IPXNwX2RldGFpbF90aGVtYXRpYyZhY3Rpb249Y2xpY2tSZWRpcmVjdCZkb05vdExvZ0NsaWNrPXRydWU=.*

Standard Size Straw Lid for Hydro Flask Standard Size Bottle & Simple Modern Narrow Bottle, https://www.amazon.com/dp/B07PBRRM18?ref=myi_title_dp.

Zen beauty and health llc Standard Size Straw Lid for Hydro Flask Standard Size Sports Water Bottle & Simple Modern Narrow Bottle, https://www.amazon.com/Zen-beauty-health-llc-Standard/dp/B07JQKHFKN/ref=al_p_dpwidget_a_w_?th=1&psc=1&smid=A3LBNYWEKSNPN.

* cited by examiner

Primary Examiner — Kendra Leslie Hamilton

(74) *Attorney, Agent, or Firm* — KA Filing LLC; Wayne V. Harper; Cynthia Flanigan

(57) **CLAIM**

The ornamental design for a lid with straw, as shown and described.

DESCRIPTION

FIG. 1 is a Perspective view of a lid with straw showing my new design;

FIG. 2 is a front elevation view thereof;

FIG. 3 is a rear elevation view thereof;

FIG. 4 is a left side elevation view thereof;

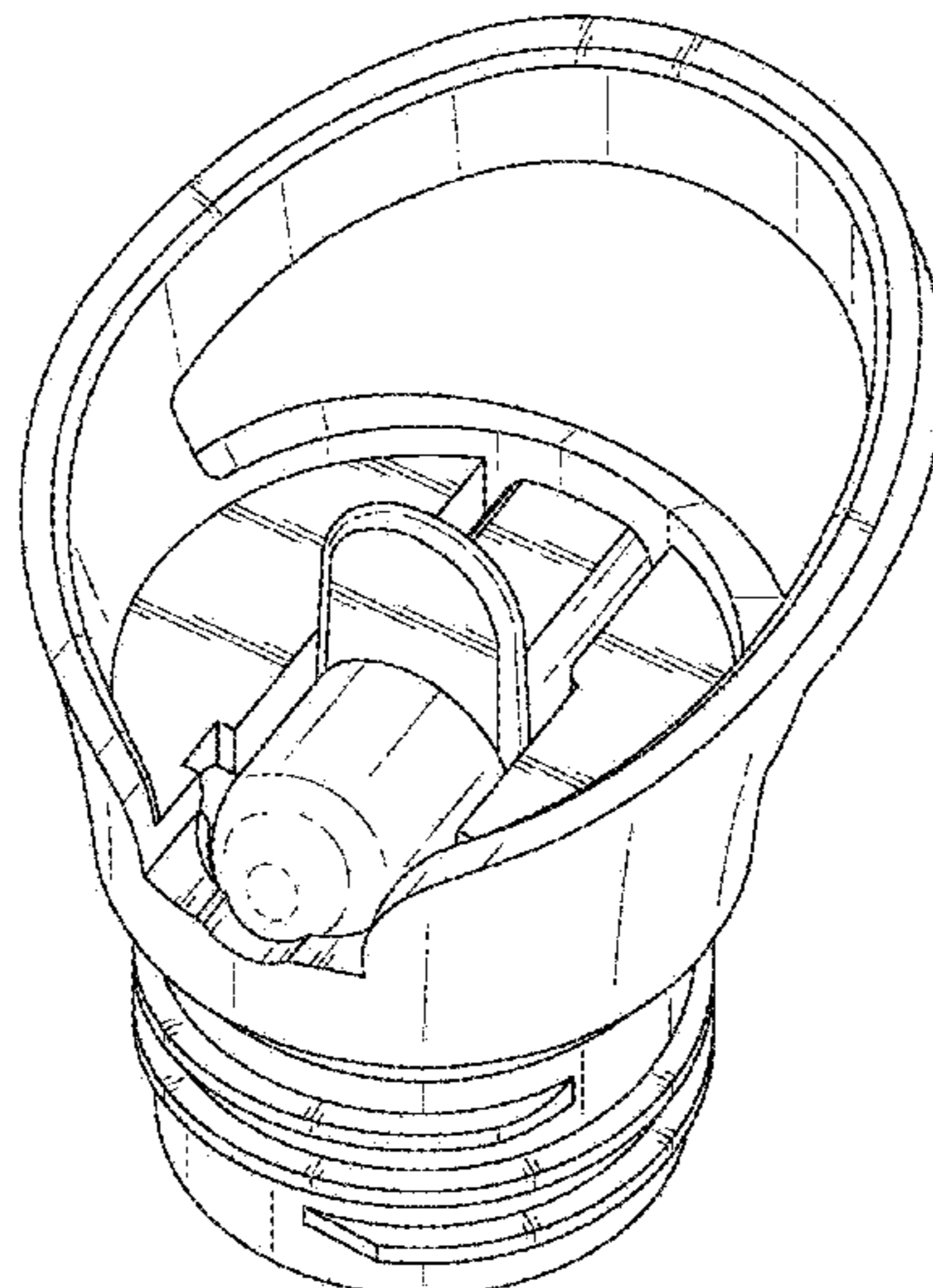
FIG. 5 is a right side elevation view thereof;

FIG. 6 is a top plan view thereof; and,

FIG. 7 is a bottom plan view thereof.

The broken lines illustrate portions of the lid with straw that form no part of the claimed design.

1 Claim, 7 Drawing Sheets



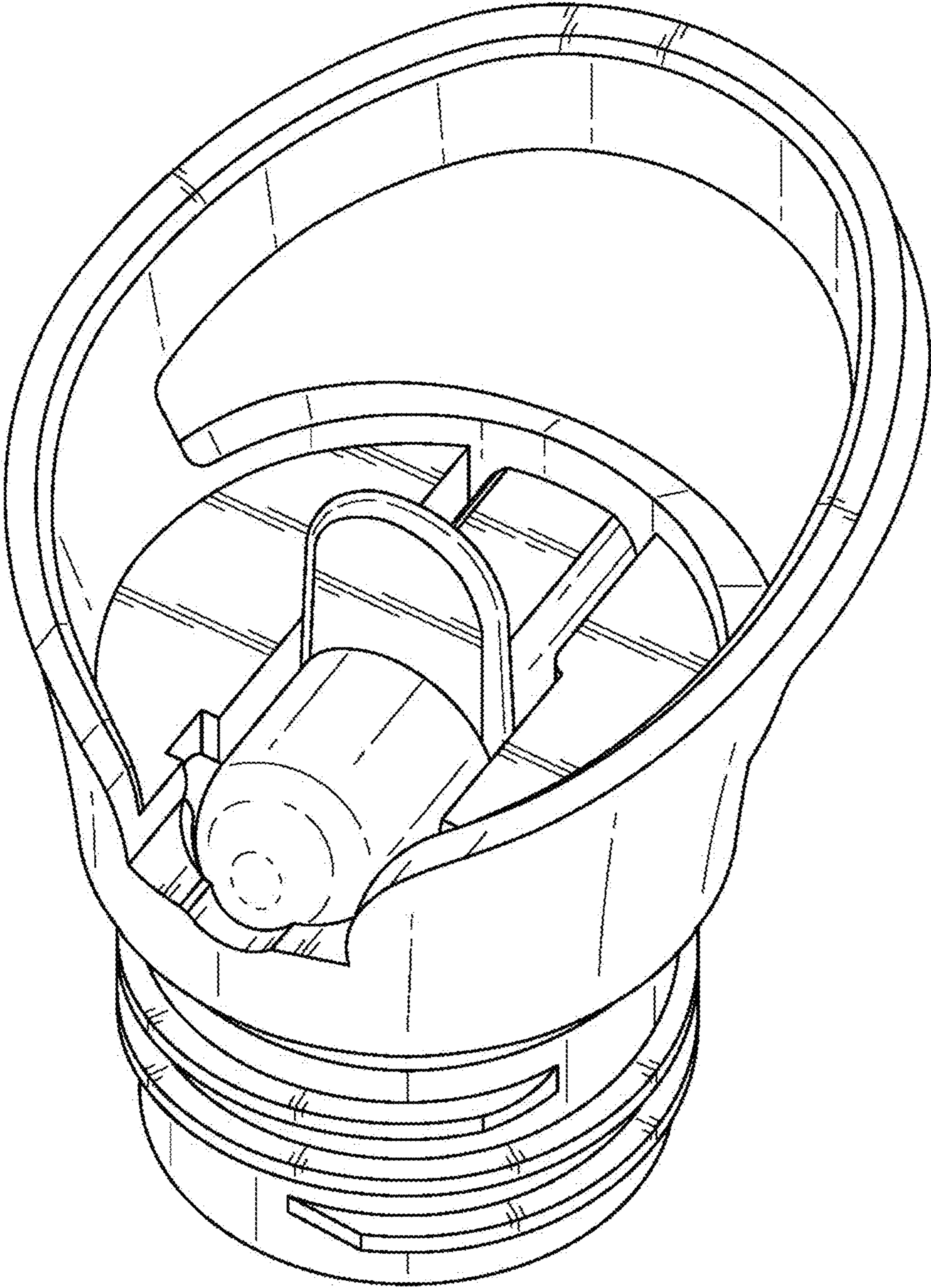


FIG. 1

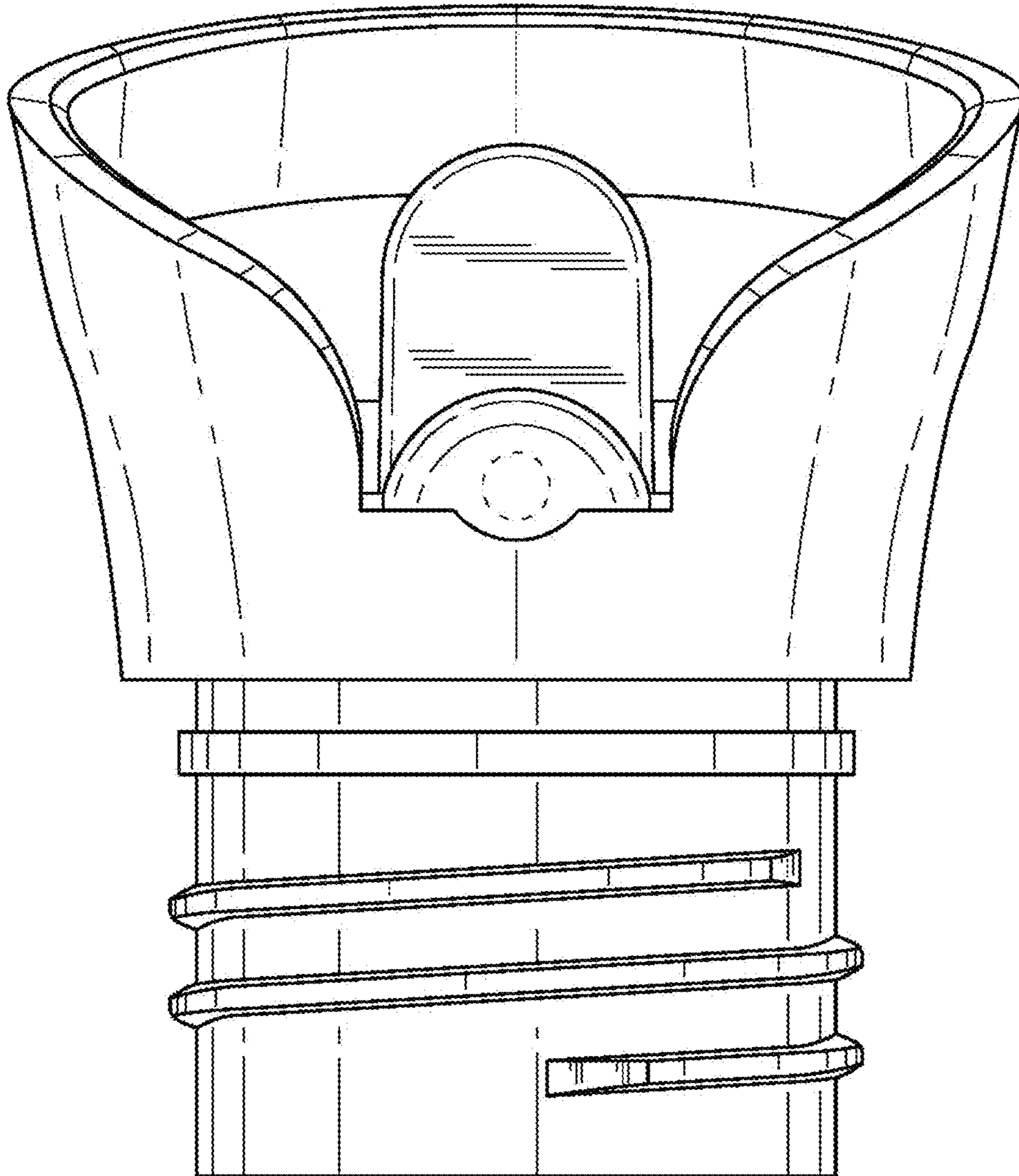


FIG. 2

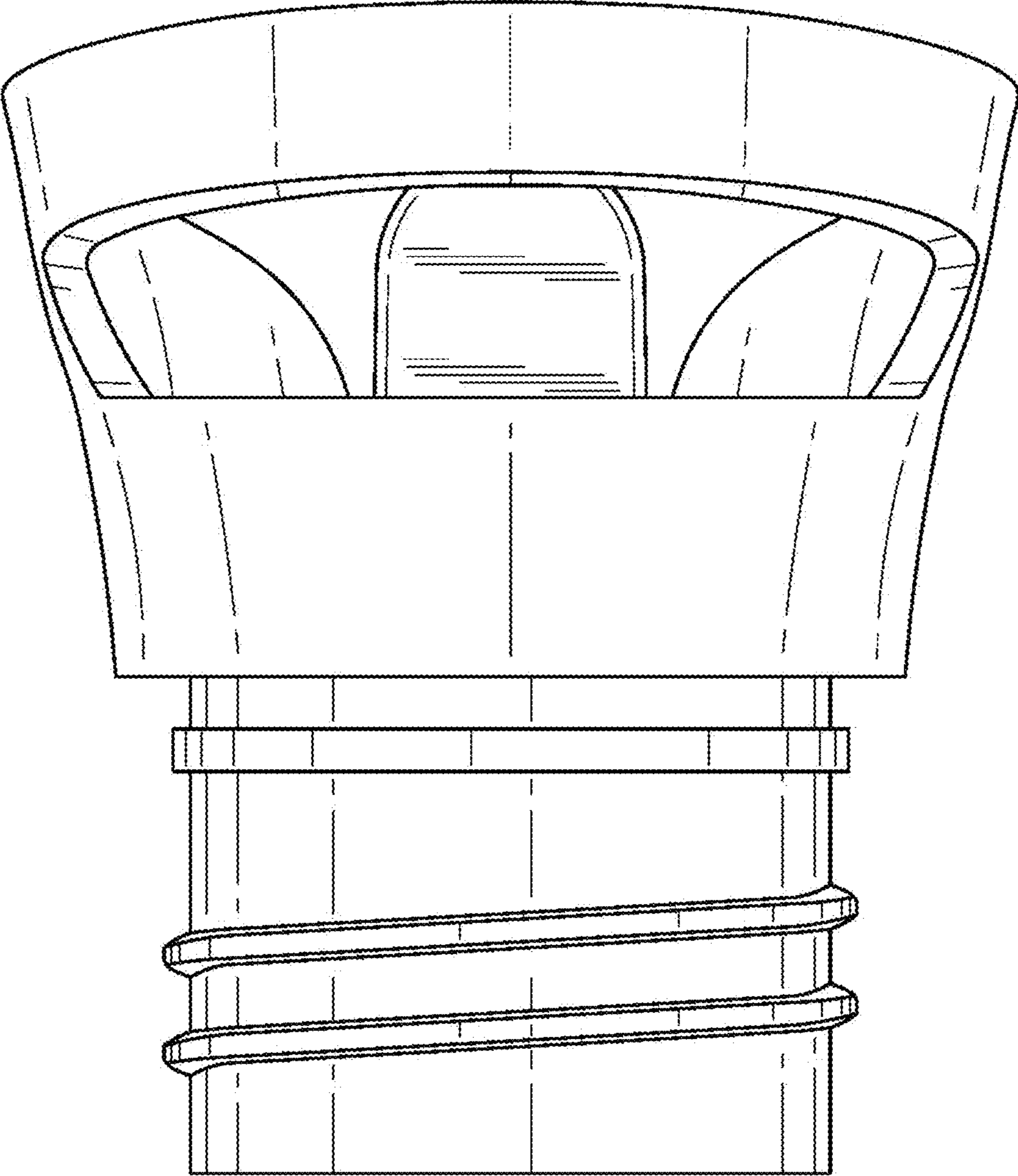


FIG. 3

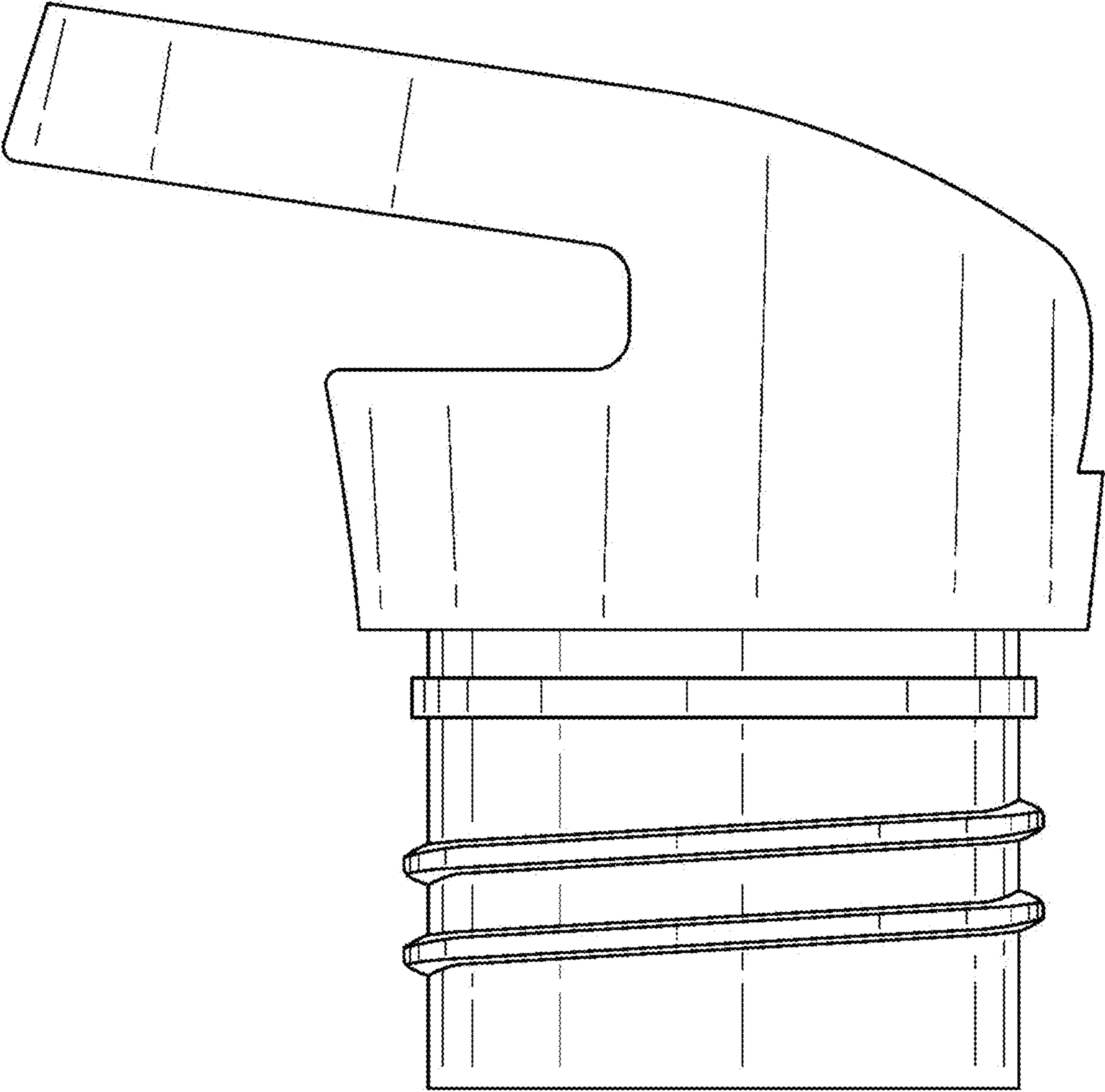


FIG. 4

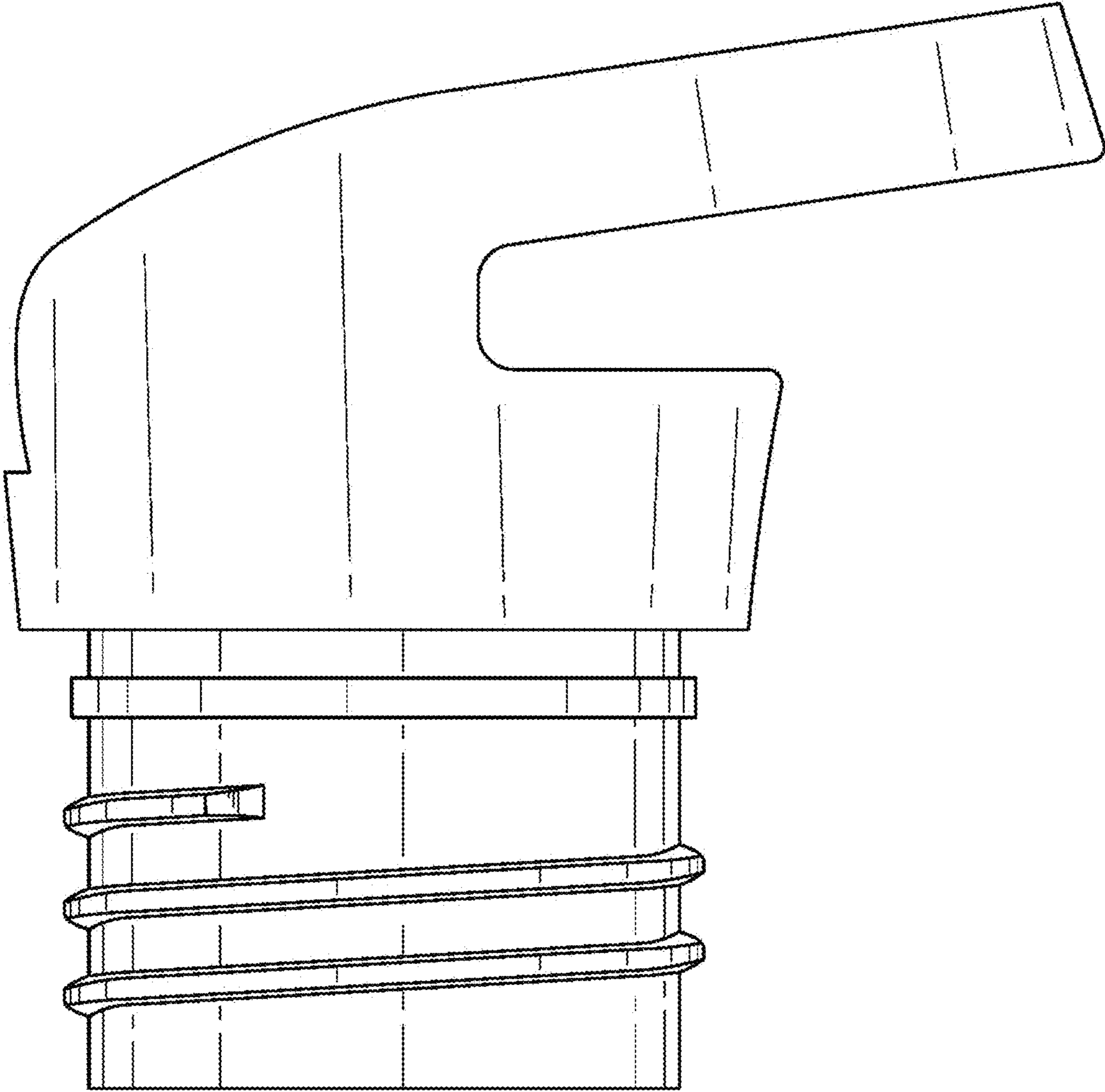


FIG. 5

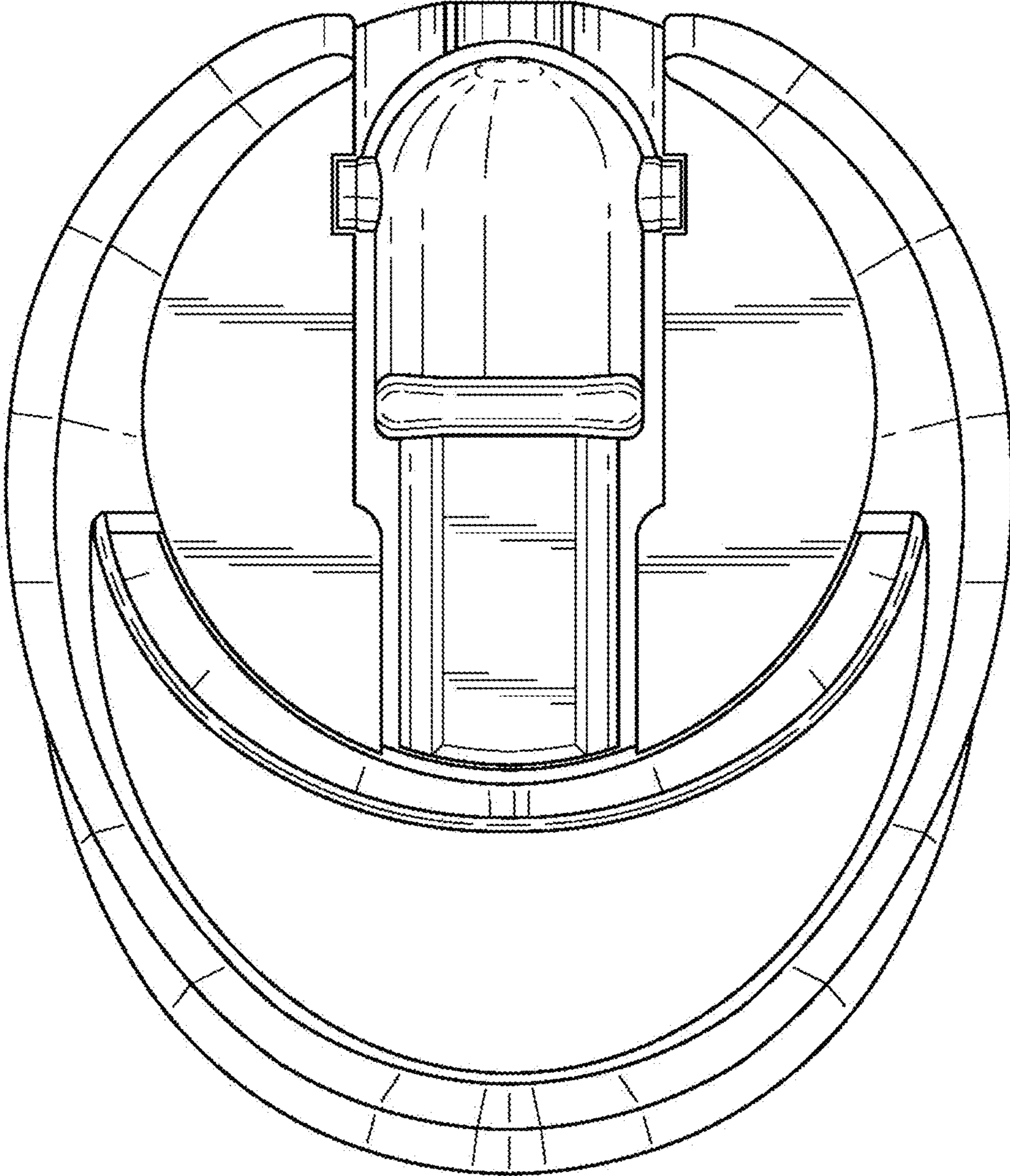


FIG. 6

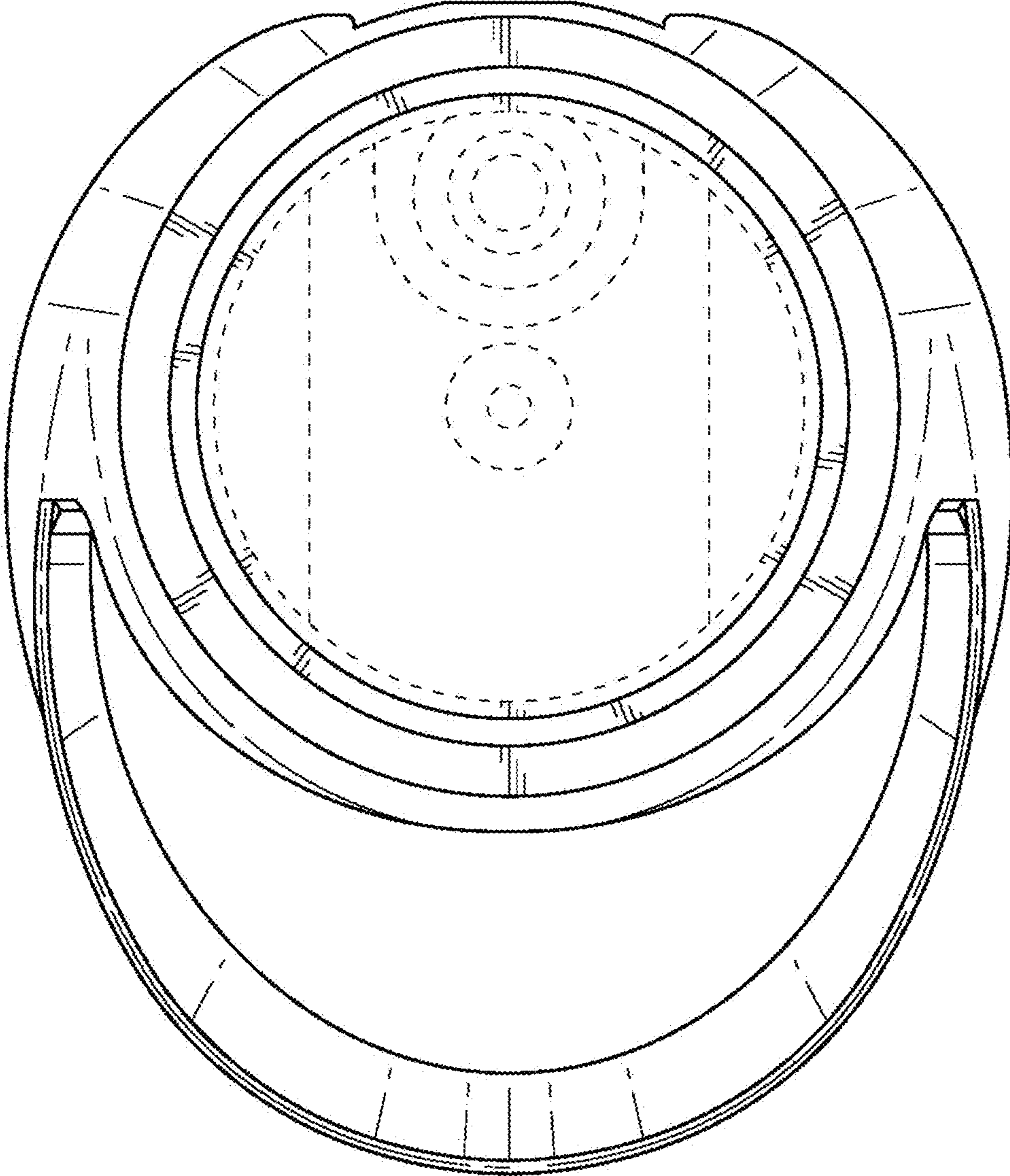


FIG. 7