



US00D895352S

(12) **United States Design Patent** (10) **Patent No.:** **US D895,352 S**  
**Yao** (45) **Date of Patent:** **\*\* Sep. 8, 2020**

(54) **BOTTLE LID**  
(71) Applicant: **EVERICH AND TOMIC HOUSEWARES CO., LTD.,**  
Hangzhou, Zhejiang (CN)  
(72) Inventor: **Huajun Yao, Zhejiang (CN)**  
(\*\*) Term: **15 Years**

D817,084 S \* 5/2018 Hammer ..... D7/392.1  
D817,085 S \* 5/2018 Davis ..... D7/392.1  
D824,721 S \* 8/2018 Hu ..... D7/392.1  
D825,332 S \* 8/2018 Miksovsky ..... D9/446  
D843,778 S \* 3/2019 Yao ..... D7/392.1  
D856,067 S \* 8/2019 Barber ..... D7/392.1  
D858,181 S \* 9/2019 Lown ..... D7/392.1  
D862,977 S \* 10/2019 Bohman ..... D7/392  
D870,509 S \* 12/2019 Bo ..... D7/392.1  
D873,661 S \* 1/2020 DeRuntz ..... D9/439

(21) Appl. No.: **29/679,162**  
(22) Filed: **Feb. 1, 2019**  
(30) **Foreign Application Priority Data**

Aug. 7, 2018 (CN) ..... 2018 3 0432965

(51) **LOC (12) Cl.** ..... **07-01**  
(52) **U.S. Cl.**  
USPC ..... **D7/392.1; D7/396.2; D9/443**  
(58) **Field of Classification Search**  
USPC ..... D3/201, 202; D7/300, 300.1, 317, 321,  
D7/391, 392, 392.1, 396.2, 601, 602,  
D7/619.1, 629; D9/434-436, 439, 440,  
D9/443, 445-447, 449, 452-454, 499  
CPC ..... B65D 51/18; B65D 55/16  
See application file for complete search history.

(56) **References Cited**

**U.S. PATENT DOCUMENTS**

D217,759 S \* 6/1970 Schweickart ..... D9/449  
D714,584 S \* 10/2014 Boroski ..... D7/392  
D741,176 S \* 10/2015 Bell ..... D9/446  
D741,637 S \* 10/2015 Palermo ..... D7/300.1  
D763,076 S \* 8/2016 Lane ..... D9/446  
D769,671 S \* 10/2016 Bielawski ..... D7/392.1  
D772,652 S \* 11/2016 Yao ..... D7/510  
D801,111 S \* 10/2017 Eyal ..... D7/392.1  
D813,668 S \* 3/2018 Miller ..... D9/446  
D816,397 S \* 5/2018 Karl, IV ..... D7/392.1

**OTHER PUBLICATIONS**

Everich. Shaker bottle water bottle. No date specified. [https://www.everich.com/product/Plastic\\_Bottle/Shaker\\_bottle\\_water\\_bottle.html](https://www.everich.com/product/Plastic_Bottle/Shaker_bottle_water_bottle.html) (Year: 0).\*

\* cited by examiner

*Primary Examiner* — Darcey E Gottschalk  
(74) *Attorney, Agent, or Firm* — Global IP Services;  
Tianhua Gu

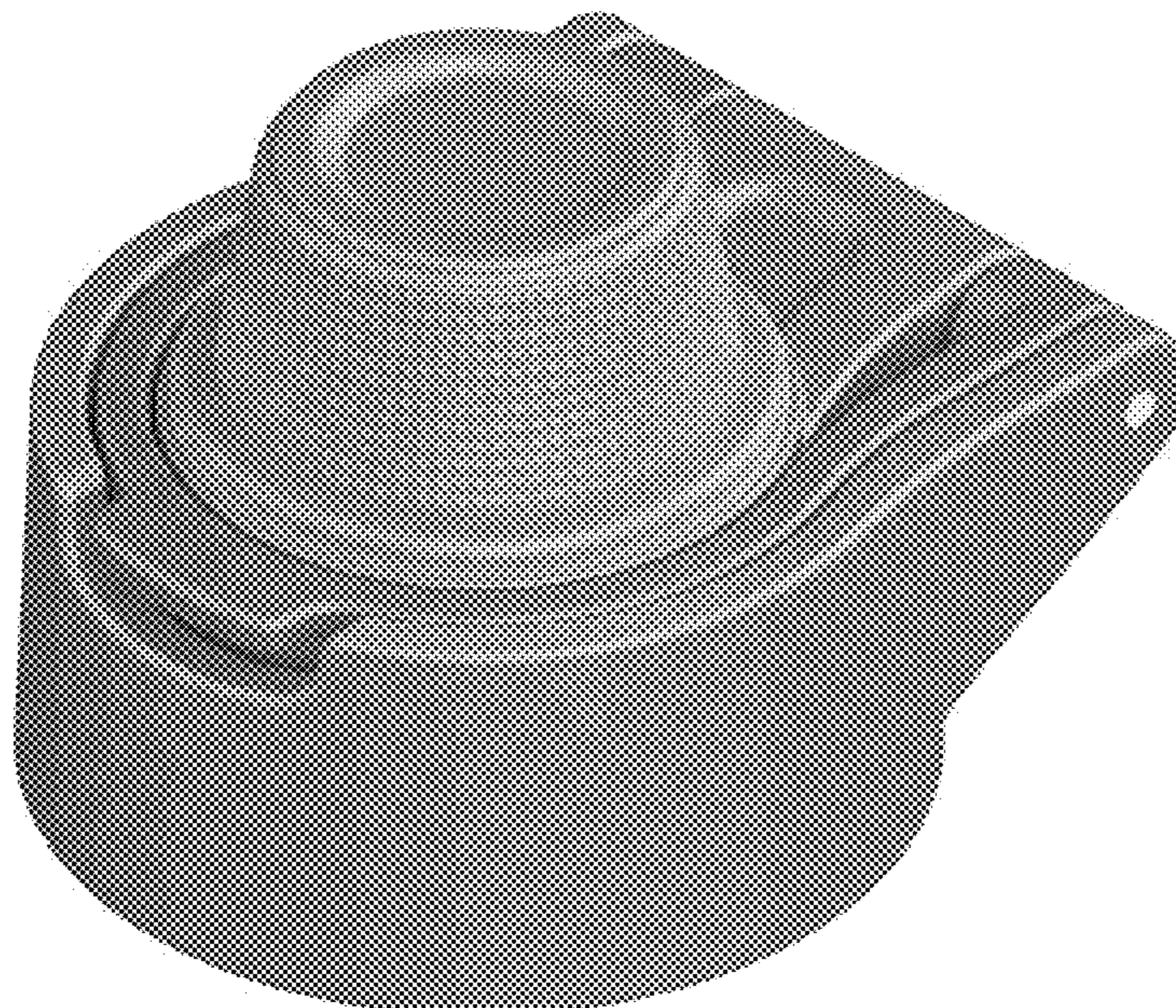
(57) **CLAIM**

The ornamental design for a bottle lid, as shown and described.

**DESCRIPTION**

FIG. 1 is a front elevational view of a bottle lid, showing my new design;  
FIG. 2 is a rear elevational view thereof;  
FIG. 3 is a left side elevational view thereof;  
FIG. 4 is a right side elevational view thereof;  
FIG. 5 is a top plan view thereof;  
FIG. 6 is a bottom plan view thereof;  
FIG. 7 is a left top perspective view thereof;  
FIG. 8 is a right top perspective view thereof; and,  
FIG. 9 is a bottom perspective view thereof.

**1 Claim, 9 Drawing Sheets**





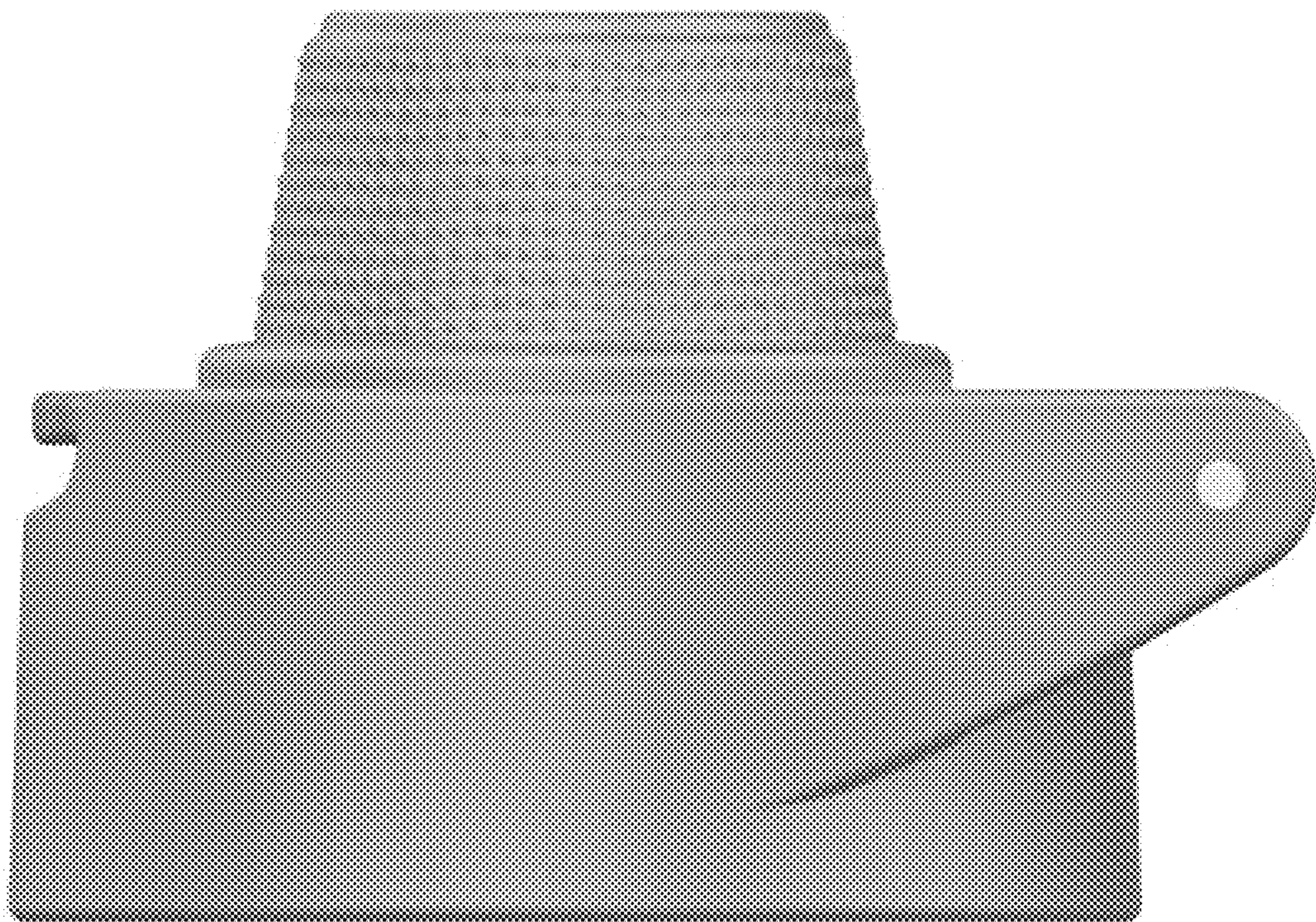


FIG. 1



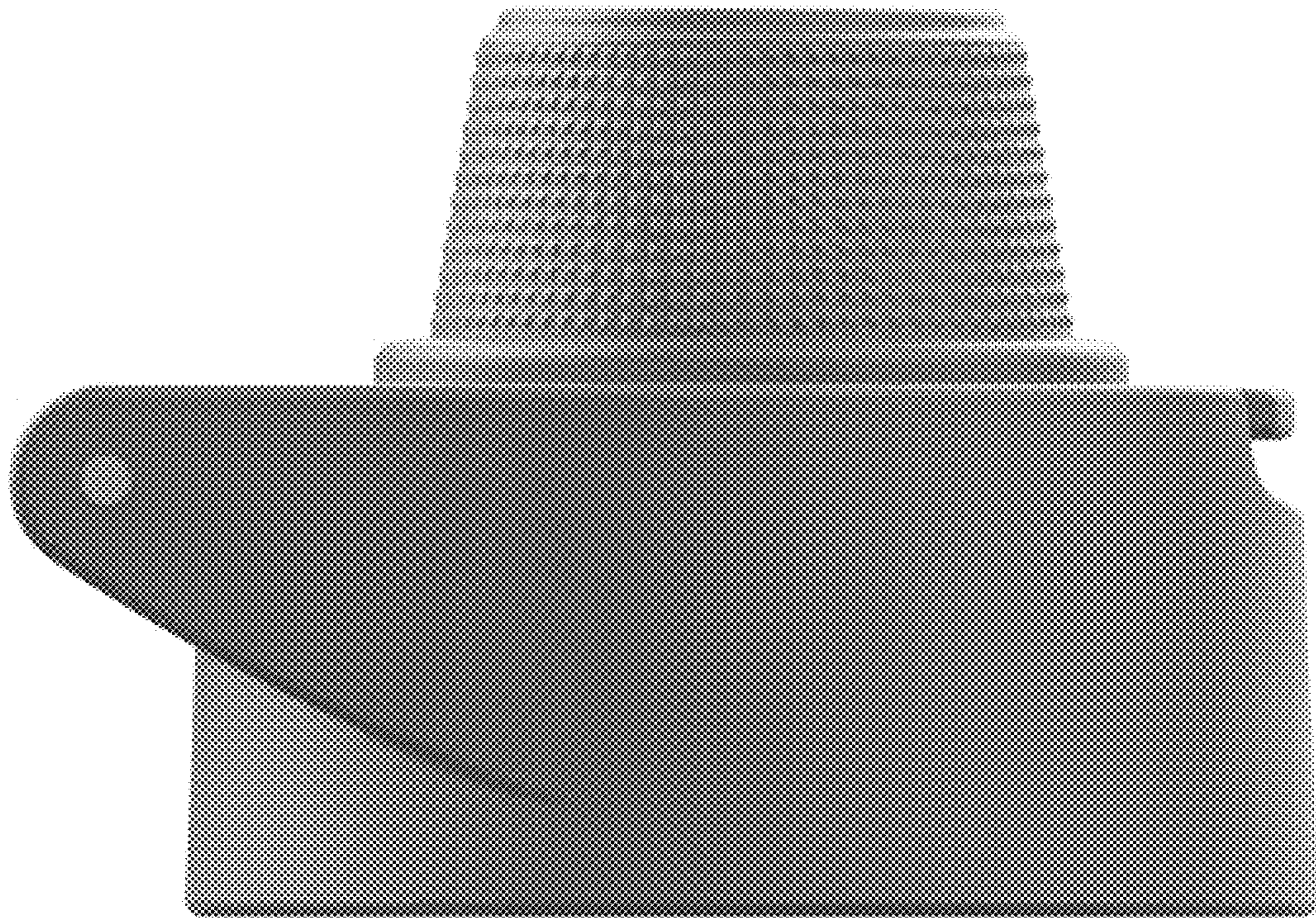


FIG. 2

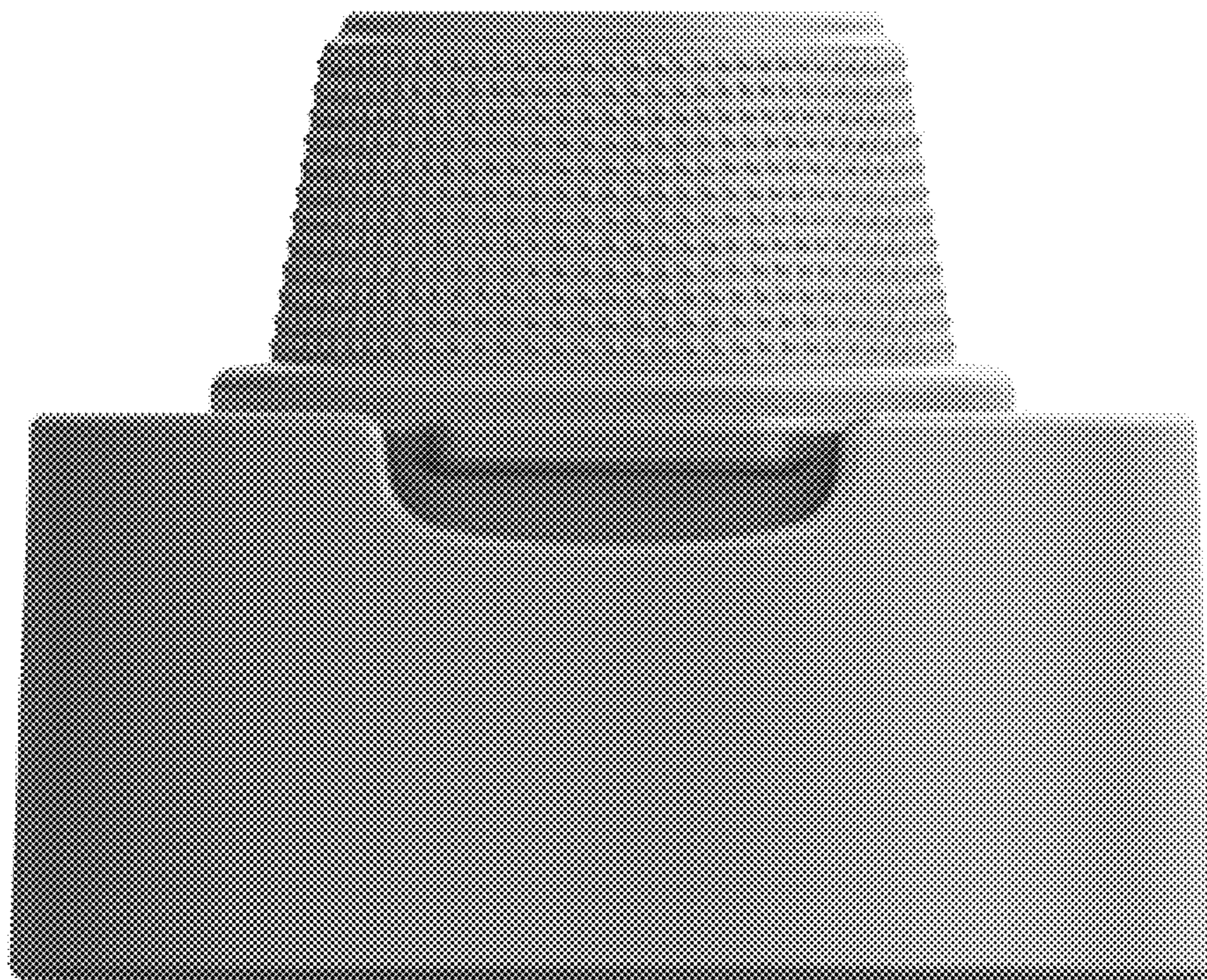


FIG. 3



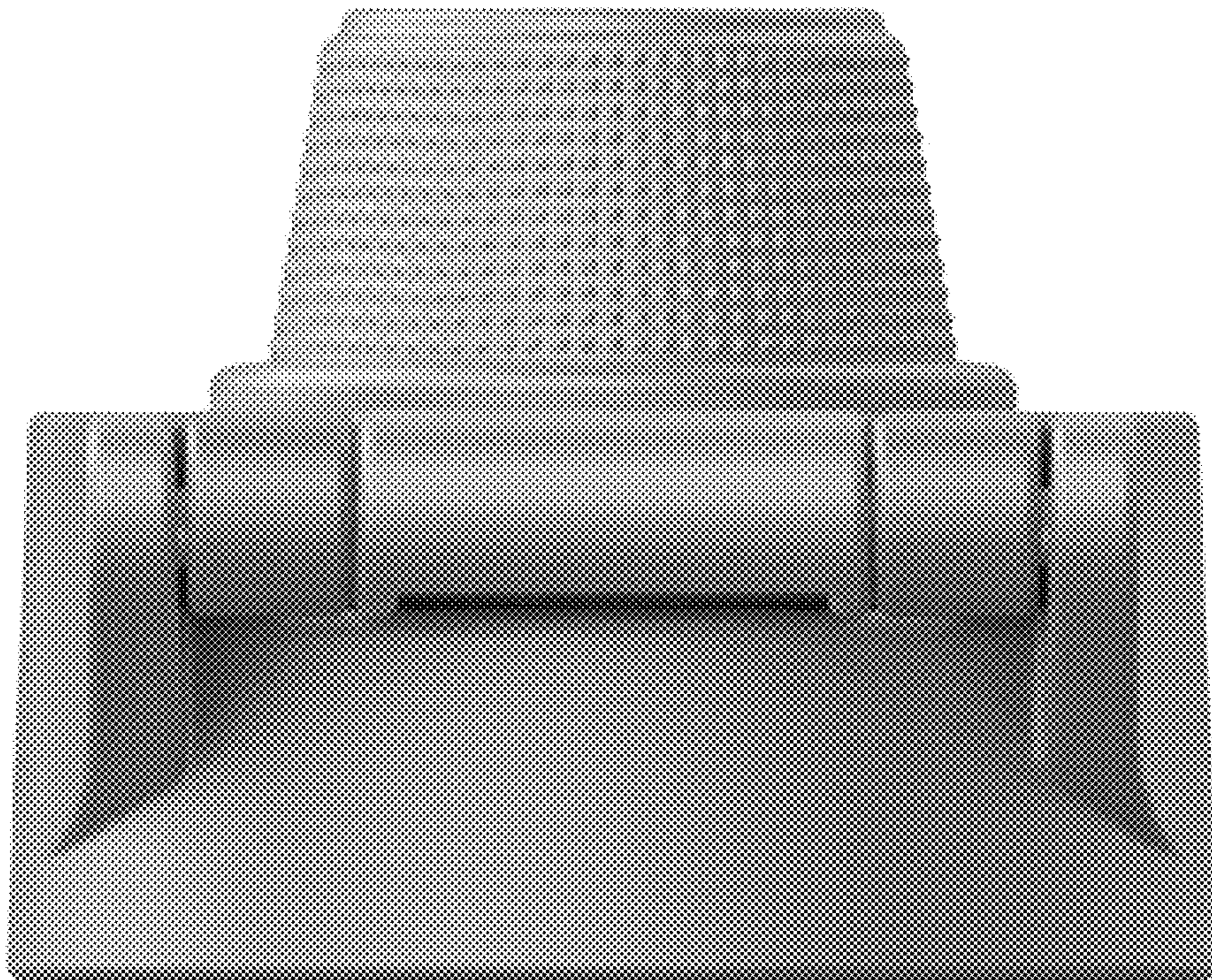


FIG. 4



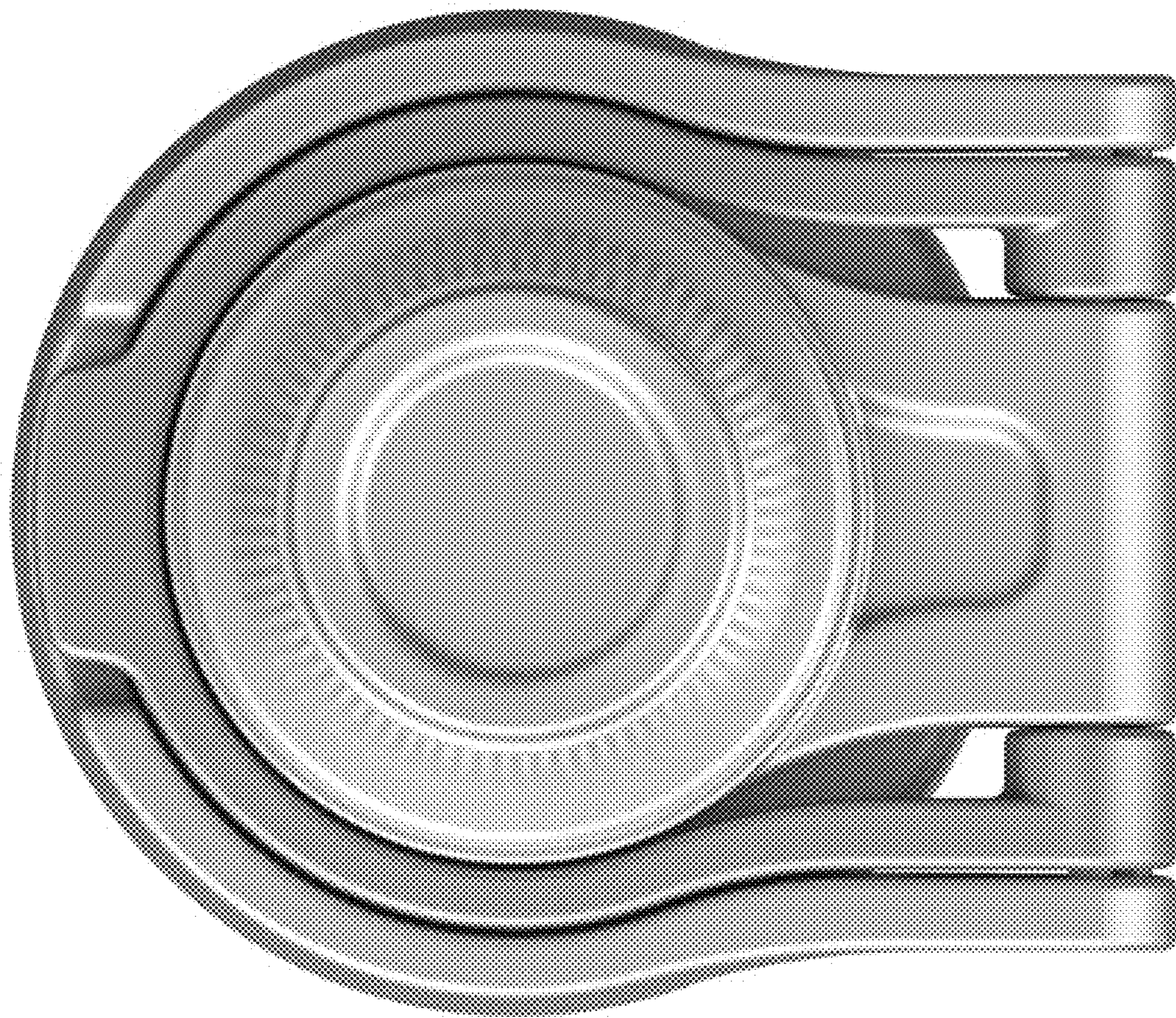


FIG. 5





FIG. 6



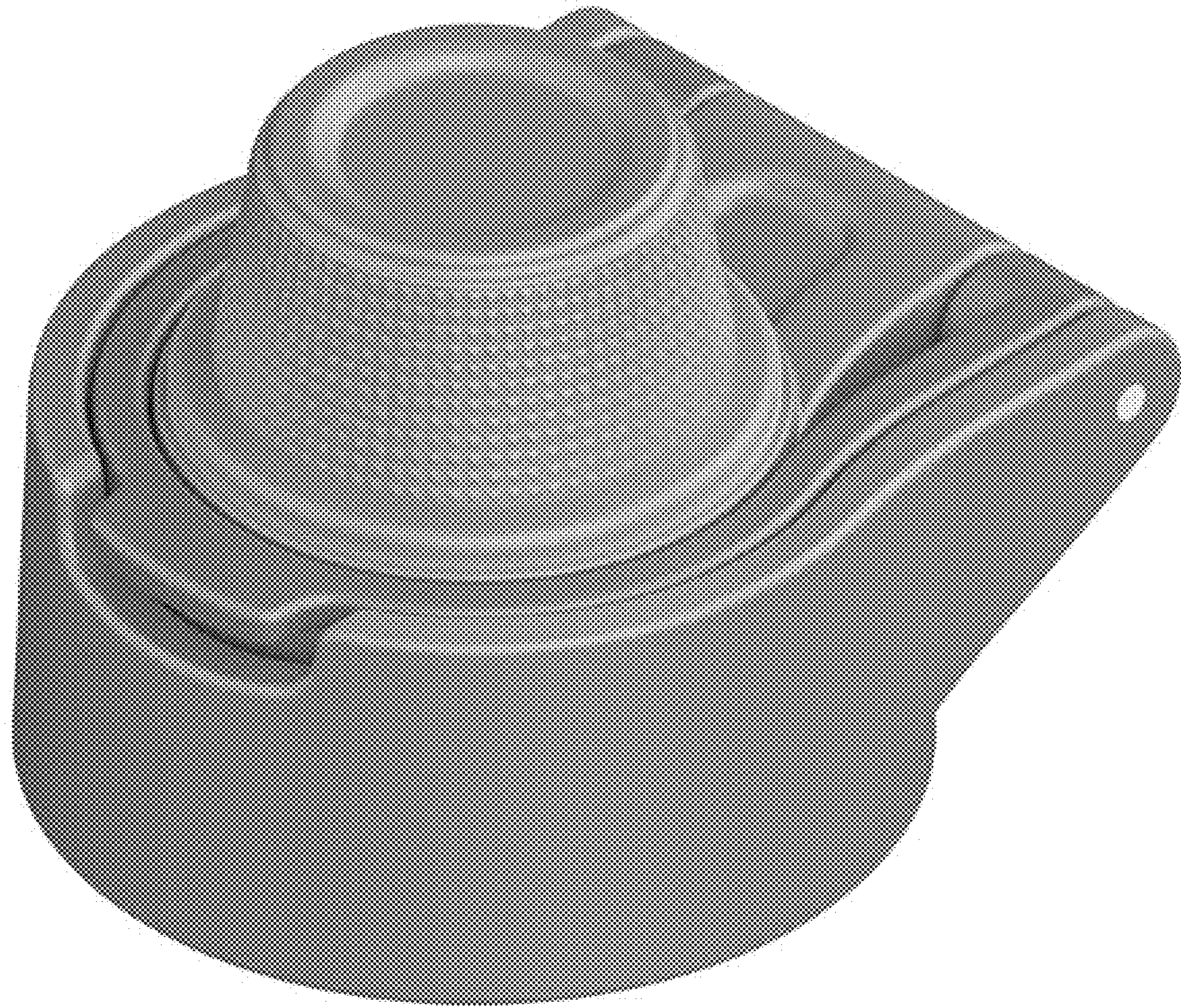


FIG. 7





FIG. 8



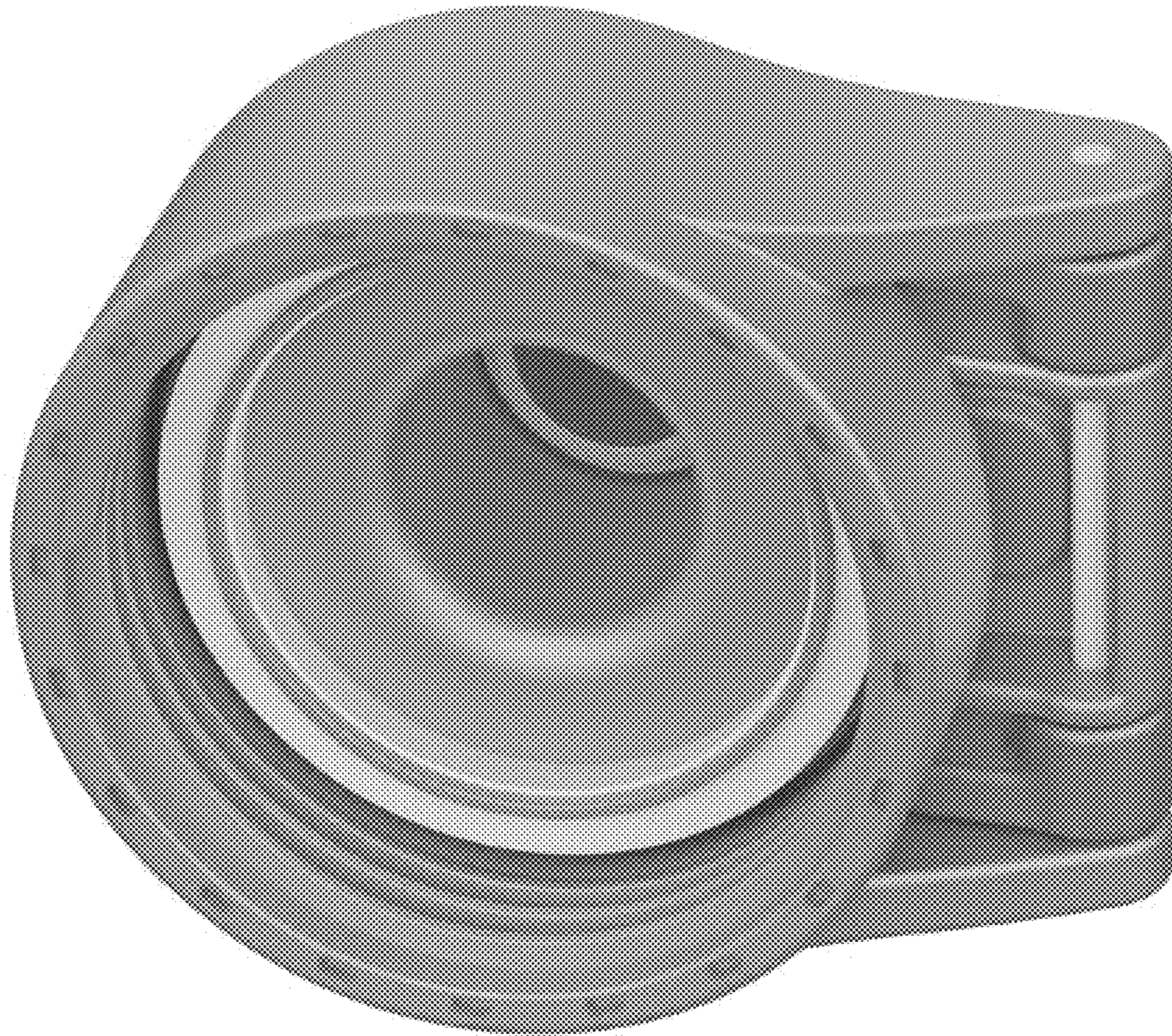


FIG. 9