



US00D895351S

(12) **United States Design Patent** (10) **Patent No.:** **US D895,351 S**
Taylor et al. (45) **Date of Patent:** **** Sep. 8, 2020**

(54) **BOTTLE LID**

OTHER PUBLICATIONS

(71) Applicants: **Justin Taylor**, Bend, OR (US); **Ryan Diener**, Bend, OR (US); **Jarett Volkoff**, Bend, OR (US)

“Hydro Flask Water Bottle, Wide Mouth with Free Flex Cap”. Found online Jun. 7, 2017 at amazon.com. Page dated May 10, 2016. Retrieved from https://www.amazon.com/Hydro-Flask-Double-Insulated-Stainless/dp/B01ACAX702/ref=cm_cr_ar_p_d_product_top?ie=UTF8.*

(72) Inventors: **Justin Taylor**, Bend, OR (US); **Ryan Diener**, Bend, OR (US); **Jarett Volkoff**, Bend, OR (US)

“KOLD Sports Water Bottle, Wide Mouth, with Caribiner Handle Lid”. Found online Jun. 7, 2017 at amazon.com. Page dated Dec. 1, 2015. Retrieved from https://www.amazon.com/KOLD-Sports-Water-Bottles-Insulated/dp/B018YHK79E/ref=cm_cr_ar_p_d_product_top?ie=UTF8.*

(73) Assignee: **Helen of Troy Limited**, St. Michael (BB)

“Klean Kanteen Pint Lid”. Found online Feb. 7, 2020 at amazon.com. Page dated Nov. 17, 2009. Retrieved from https://www.amazon.com/Klean-Kanteen-Stainless-D-Ring-Bottle/dp/B0093IKZGY/ref=cm_cr_ar_p_d_product_top?ie=UTF8.*

(**) Term: **15 Years**

(21) Appl. No.: **29/672,029**

* cited by examiner

(22) Filed: **Dec. 2, 2018**

(51) **LOC (12) Cl.** **07-01**

Primary Examiner — Kendra Leslie Hamilton

(52) **U.S. Cl.**
USPC **D7/392.1**

(74) *Attorney, Agent, or Firm* — Rankin, Hill & Clark LLP

(58) **Field of Classification Search**
USPC D7/391, 392, 392.1, 397, 510, 511, 542,
D7/543, 602, 605, 629; D9/435, 443,
D9/447, 449, 454

(57) **CLAIM**

CPC B65D 43/0225
See application file for complete search history.

The ornamental design for a bottle lid, as shown, and described.

(56) **References Cited**

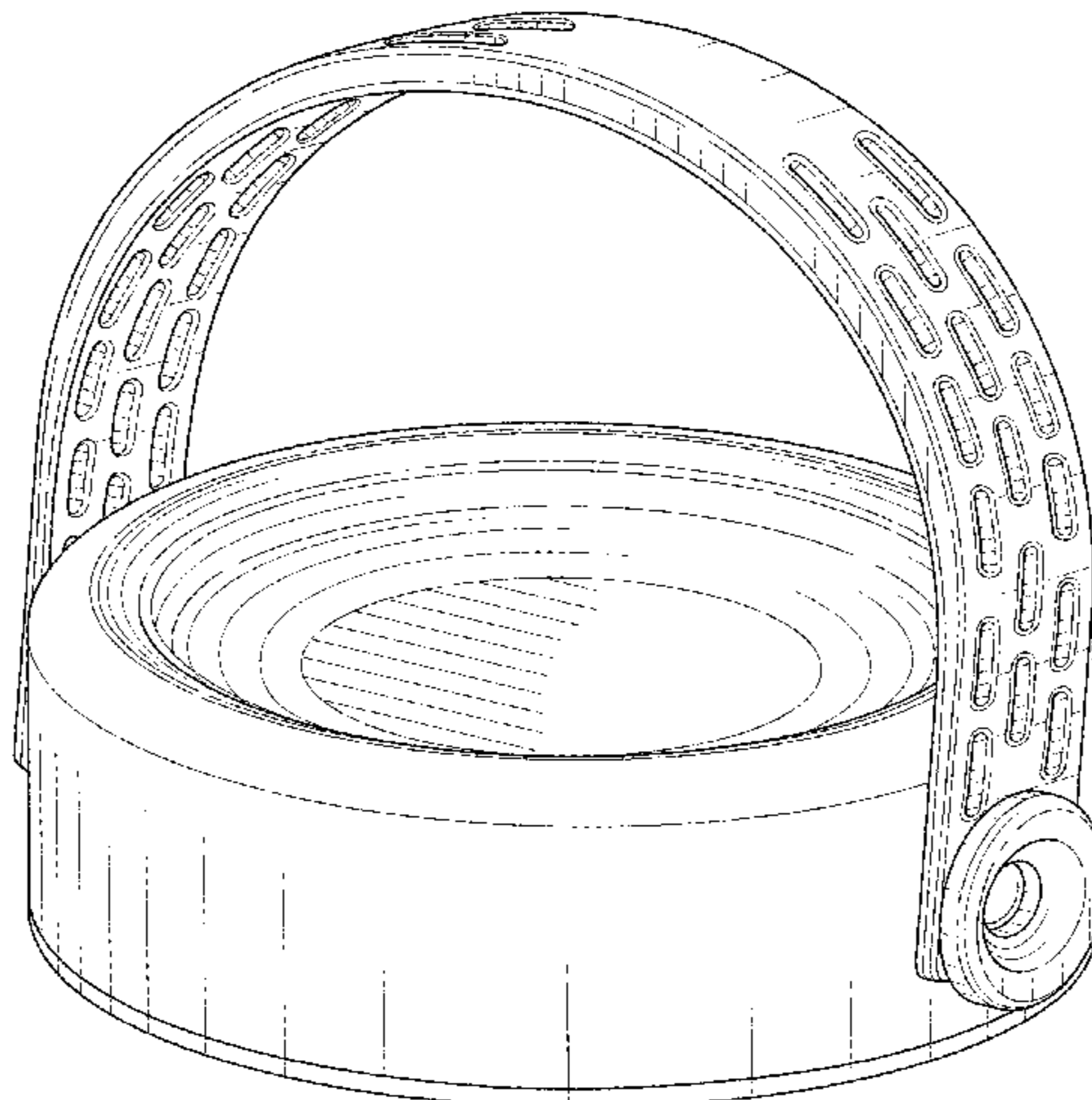
DESCRIPTION

U.S. PATENT DOCUMENTS

D398,193 S *	9/1998	Sanchez	D7/608
D524,909 S *	7/2006	Bakke	D23/233
D615,816 S *	5/2010	Joy	D7/507
D622,089 S *	8/2010	Daniel	D7/608
D651,847 S *	1/2012	Gilbert	D7/392.1
8,215,511 B1 *	7/2012	Lin	B65D 51/242 215/228
D690,987 S *	10/2013	Gallen	D7/392.1
D755,561 S *	5/2016	Eyal	D7/396.2
D758,859 S *	6/2016	Sorensen	D7/393
D781,146 S *	3/2017	Seiders	D7/392.1
2008/0078787 A1 *	4/2008	Yelland	A45F 3/16 224/148.1
2014/0069917 A1 *	3/2014	Meyers	B65D 21/022 220/23.88
2016/0318693 A1 *	11/2016	Hein	B65D 51/242

FIG. 1 is a top, front, left perspective view of a bottle lid showing our new design;
FIG. 2 is a left side view thereof;
FIG. 3 is a front elevation view thereof;
FIG. 4 is a top plan view thereof;
FIG. 5 is a bottom plan view thereof; and,
FIG. 6 is a top, front, left perspective view of the bottle lid of FIG. 1, shown in a condition of use.
The broken lines in FIG. 5 illustrate portions of the bottle lid that form no part of the claimed design. The broken lines in FIG. 6 showing a bottle illustrate environmental subject matter only and form no part of the claimed design.

1 Claim, 6 Drawing Sheets



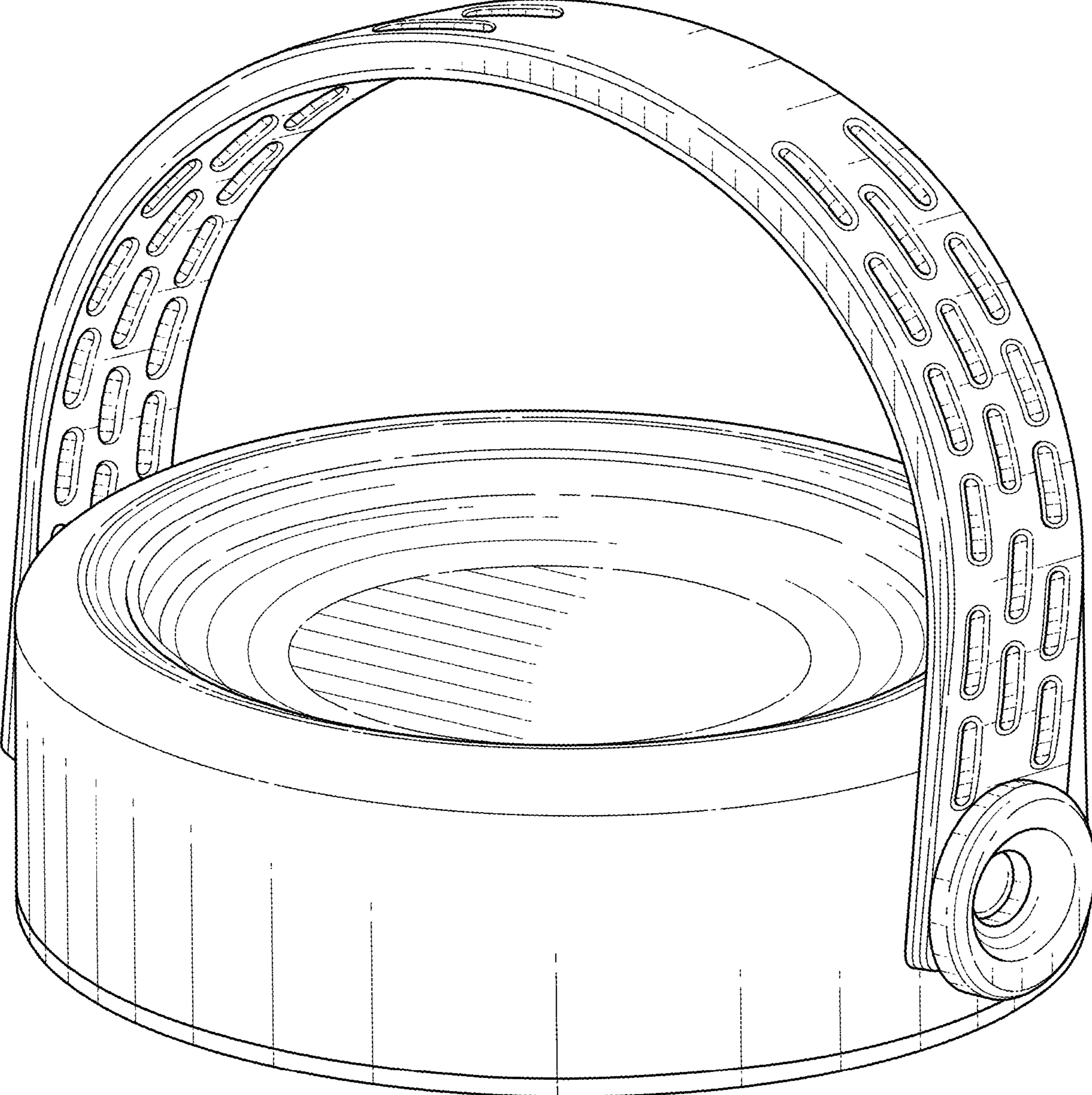


FIG. 1

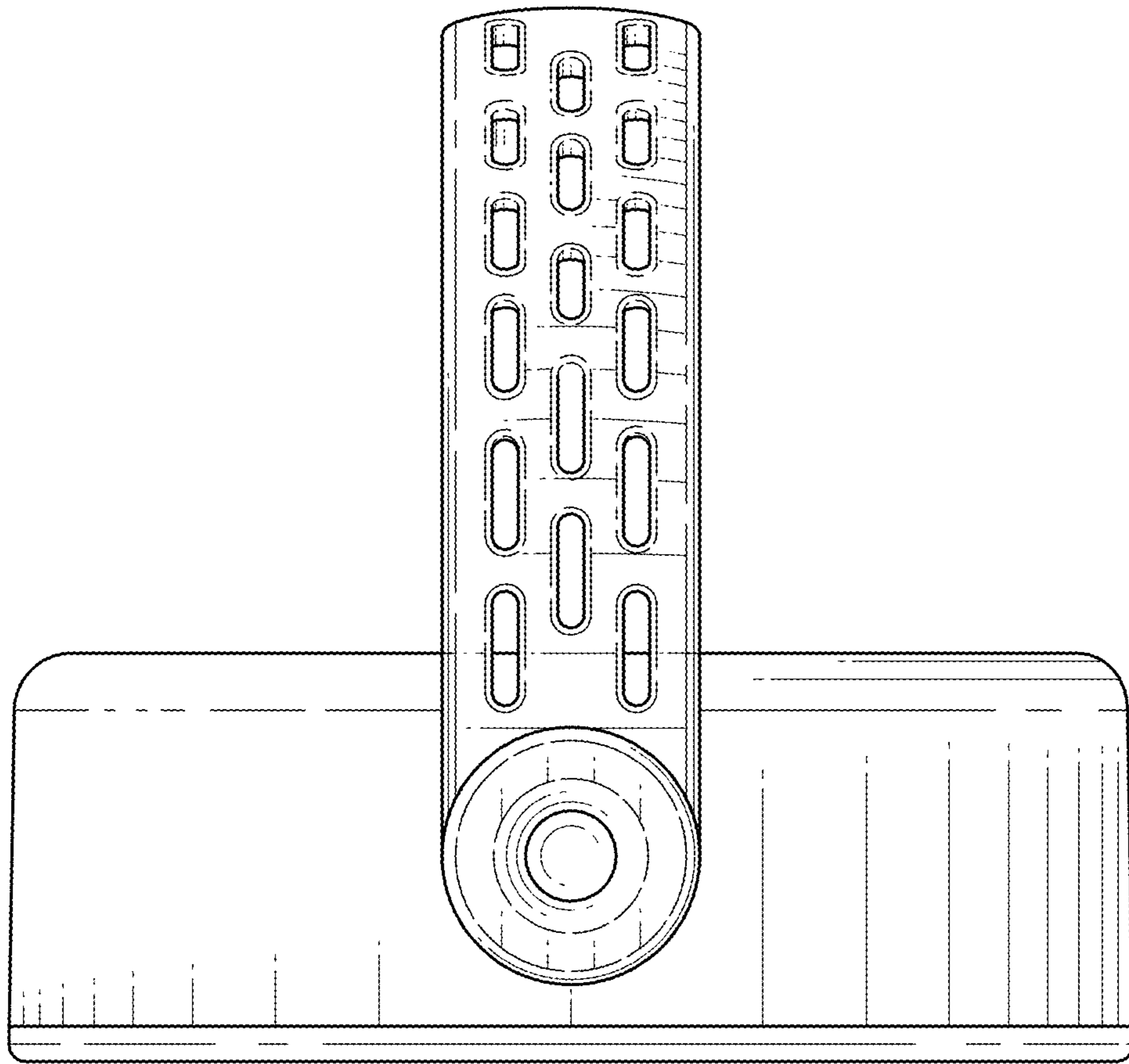


FIG. 2

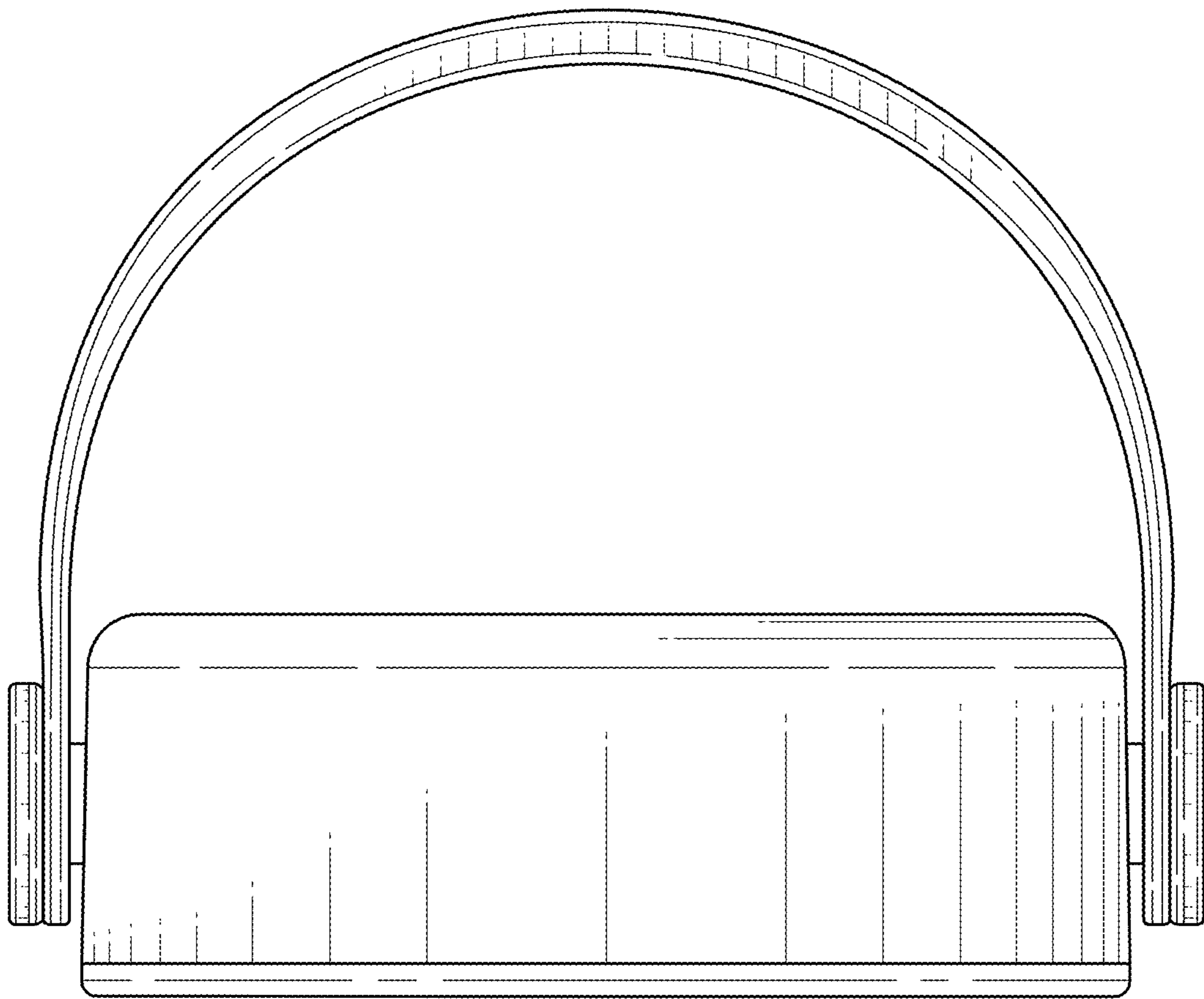


FIG. 3

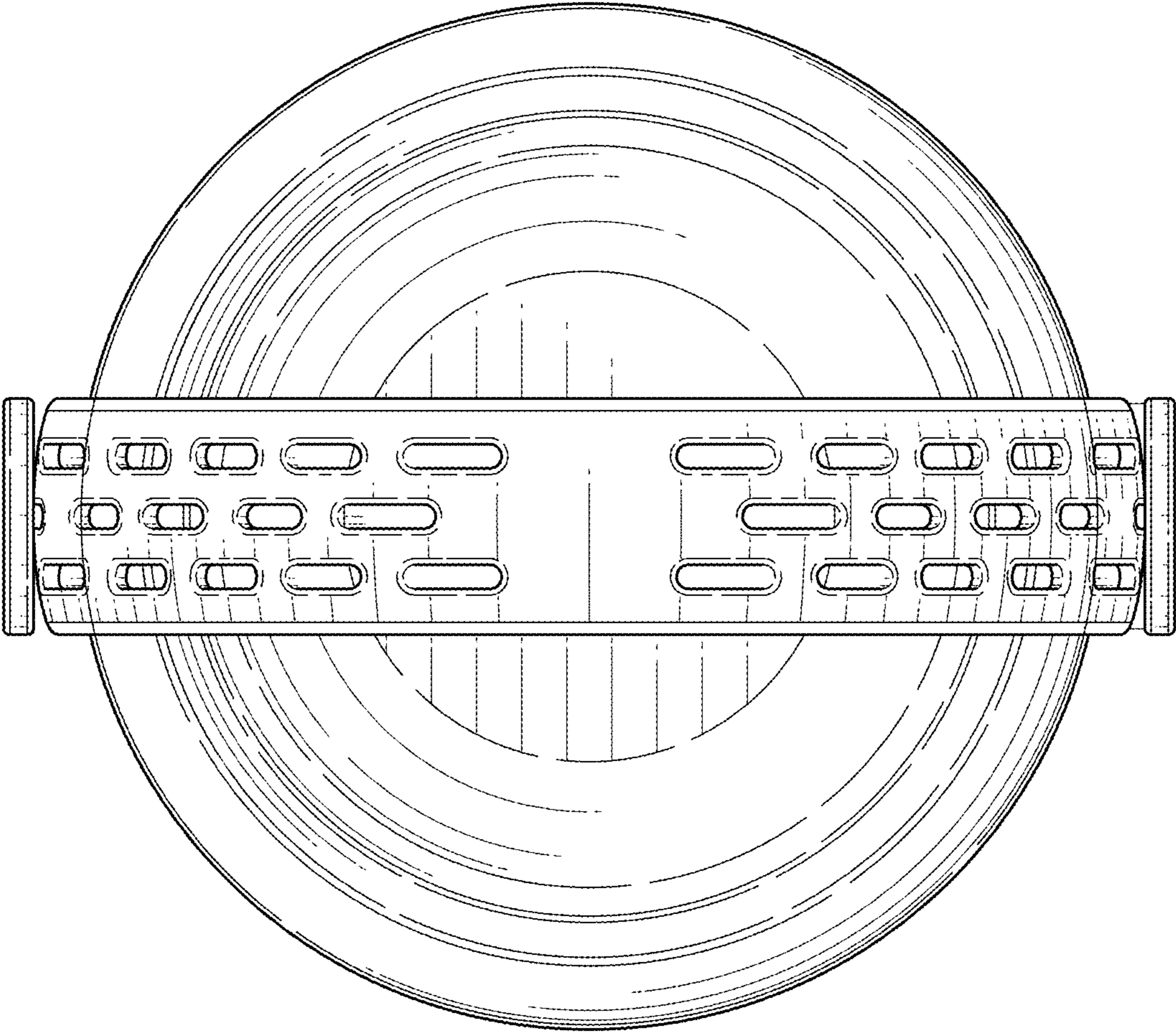


FIG. 4

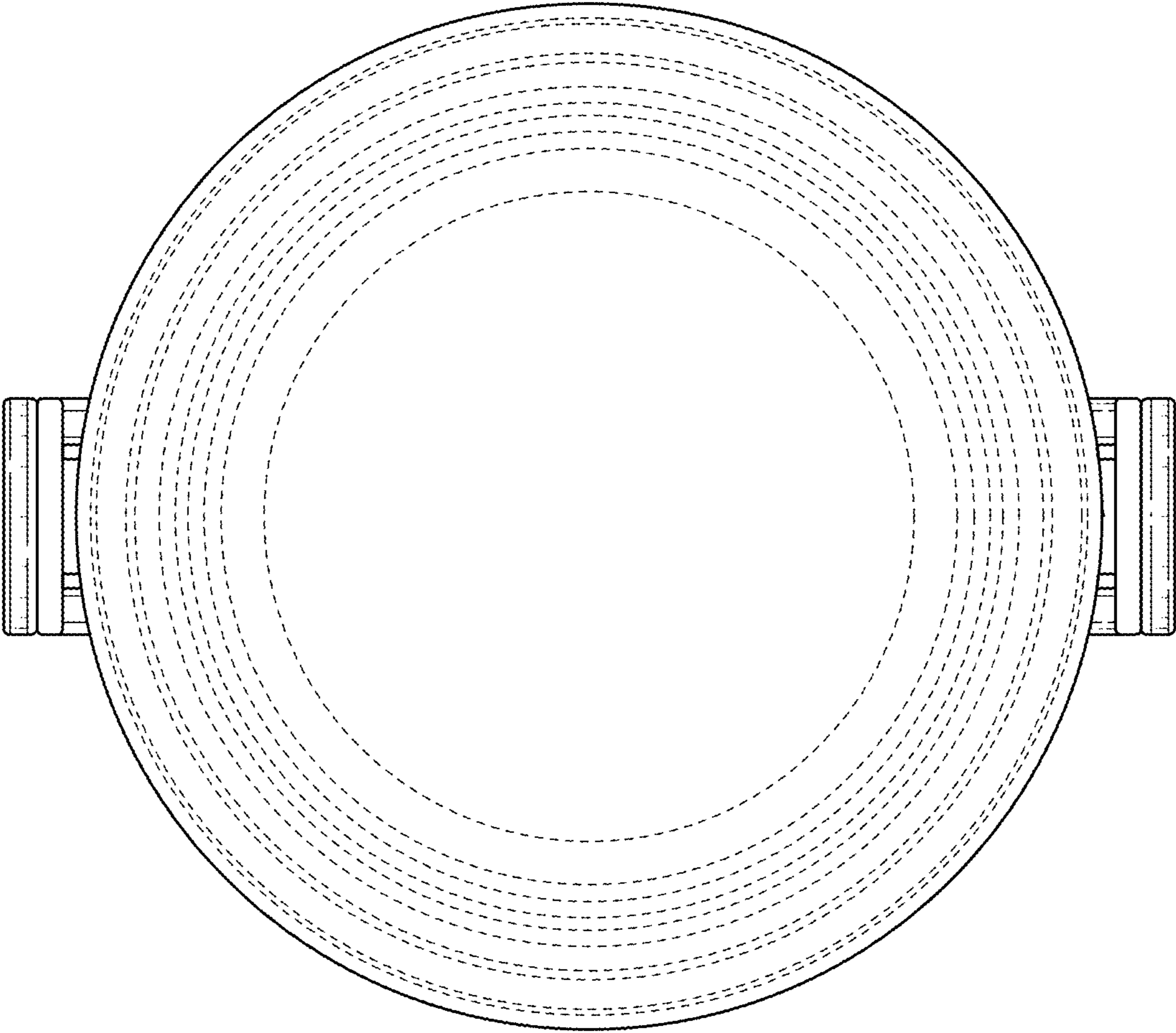


FIG. 5

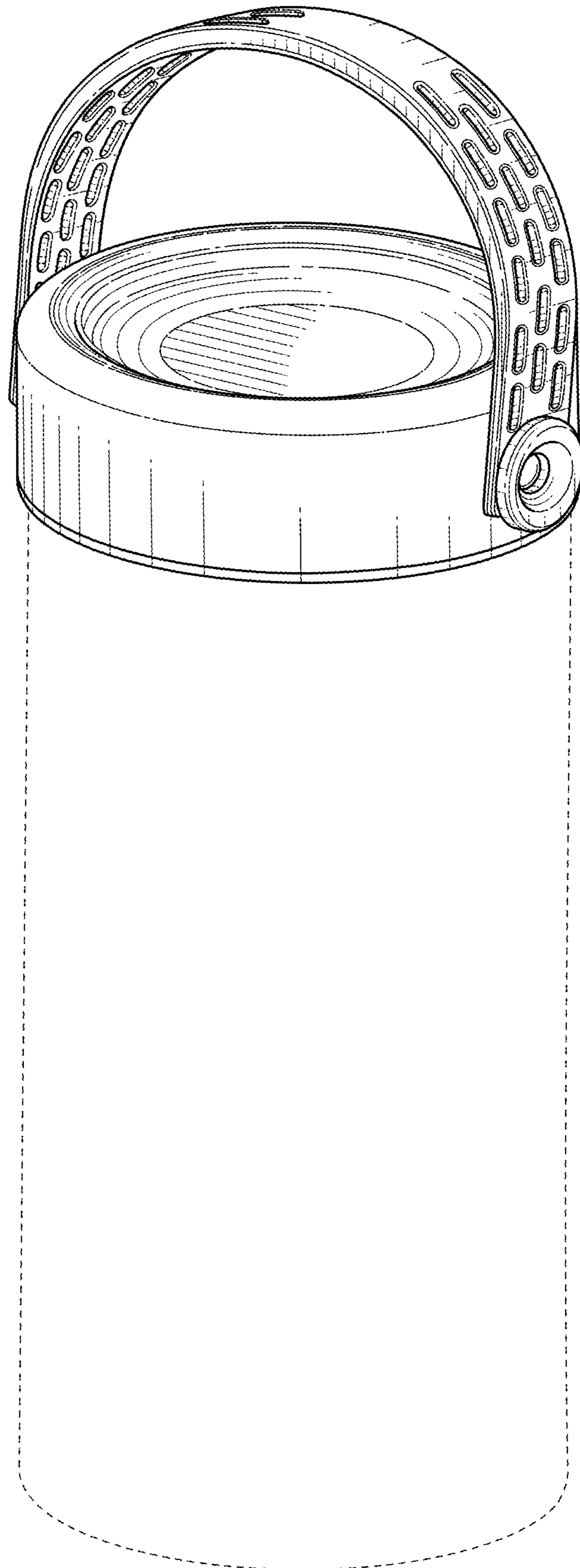


FIG. 6