



US00D895350S

(12) **United States Design Patent** (10) **Patent No.:** **US D895,350 S**
Vamvakas (45) **Date of Patent:** **** Sep. 8, 2020**

(54) **DRINKING VESSEL ACCESSORY**
(71) Applicant: **Spyridon Vamvakas**, Voluntari (RO)
(72) Inventor: **Spyridon Vamvakas**, Voluntari (RO)
(**) Term: **15 Years**

D742,744 S * 11/2015 Hall D9/500
D824,722 S * 8/2018 Marina D7/396.2
D880,651 S * 4/2020 Bell D22/146
2009/0277865 A1 11/2009 Taylor
2011/0108561 A1 5/2011 Bonin
2013/0048637 A1 2/2013 Brandenburger et al.
2014/0190923 A1 7/2014 Alpern

(21) Appl. No.: **29/660,991**
(22) Filed: **Aug. 23, 2018**

FOREIGN PATENT DOCUMENTS

DE 19806481 8/1998
EP 1873077 1/2008
JP 2016037298 3/2016
NL 8302980 3/1985
PL 411823 10/2016

(30) **Foreign Application Priority Data**

Mar. 17, 2018 (EM) 004763738-0001

OTHER PUBLICATIONS

(51) **LOC (12) Cl.** **07-01**
(52) **U.S. Cl.**
USPC **D7/392.1**; D7/396.2

https://www.amazon.com/Frosty-Vacuum-Insulated-Stainless-Friendly/dp/B01JWI36O2/ref=sr_1_2?dchild=1&keywords=beer+2+Go&qid=1594406223&sr=8-2 (Year: 2016).*

(58) **Field of Classification Search**
USPC D7/524, 525, 526, 527, 528, 510, 511,
D7/392.1, 396.2, 387, 393, 396.6, 213,
D7/523; D9/435, 436, 439, 447, 503,
D9/504, 562; D27/102, 103, 118, 109,
D27/138

* cited by examiner

CPC B65D 41/04; B65D 43/02; A47G 19/2288;
A47G 19/2266

Primary Examiner — Jae Liang

(74) *Attorney, Agent, or Firm* — Thomas I Horstemeyer
LLP

See application file for complete search history.

(57) **CLAIM**

The ornamental design for a drinking vessel accessory, as shown and described.

(56) **References Cited**

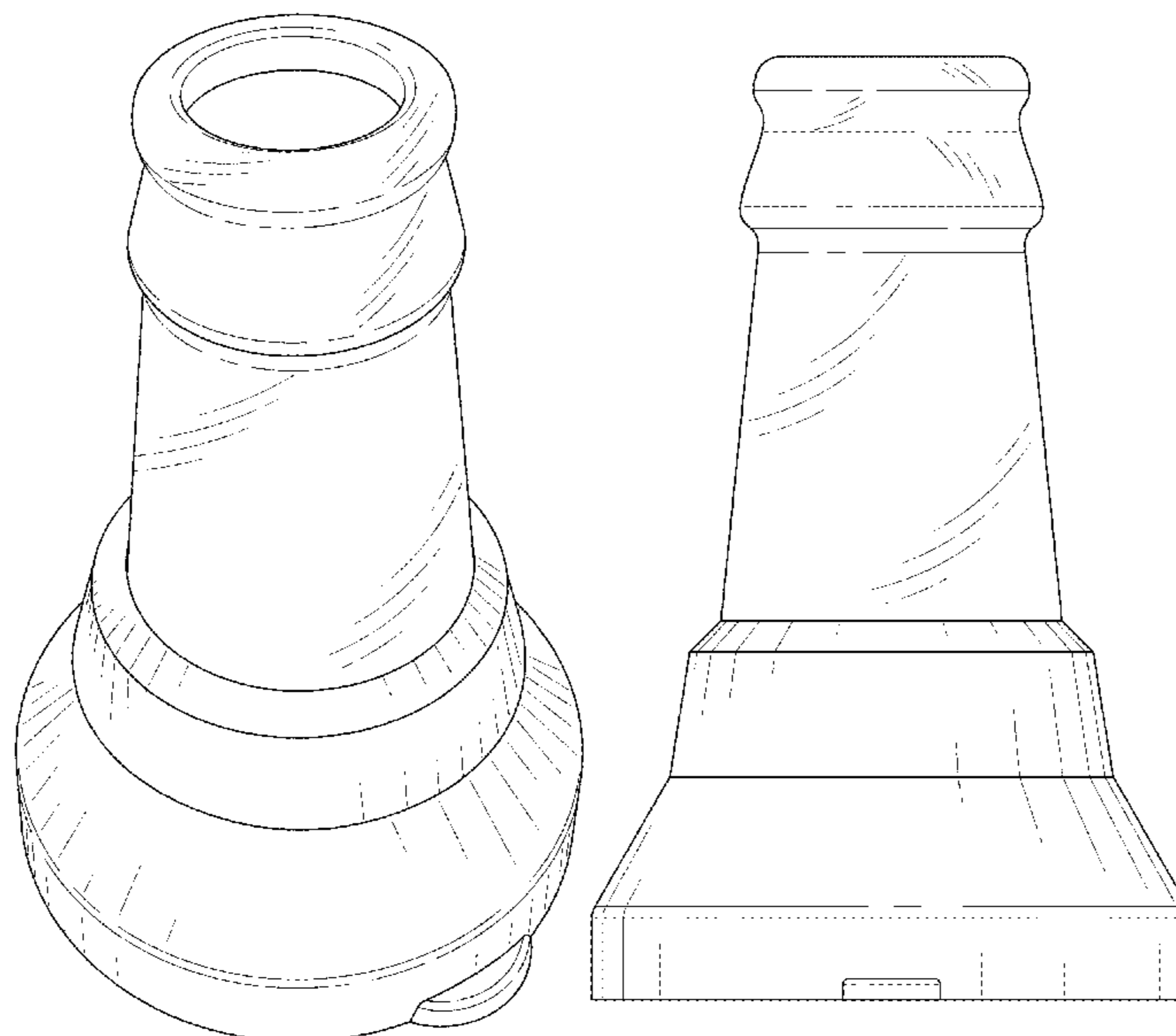
U.S. PATENT DOCUMENTS

3,407,954 A 10/1968 Millis
D264,937 S * 6/1982 Groark D9/500
D364,347 S * 11/1995 Sillince D9/500
D447,692 S * 9/2001 Sobati D9/503
D452,436 S * 12/2001 Darr D9/500
D452,825 S * 1/2002 Sobati D9/500
D483,149 S * 12/2003 Angeletta D28/7
7,182,216 B2 2/2007 Reinoso
D567,659 S * 4/2008 Gran D9/435
D671,046 S * 11/2012 May D12/168
D706,633 S * 6/2014 Reisig D9/500

DESCRIPTION

FIG. 1 is a top perspective view of a drinking vessel accessory showing the new design;
FIG. 2 is a bottom perspective view thereof;
FIG. 3 is a first side elevation view thereof;
FIG. 4 is a second side elevation view thereof;
FIG. 5 is a top plan view thereof; and,
FIG. 6 is a bottom plan view thereof.

1 Claim, 5 Drawing Sheets



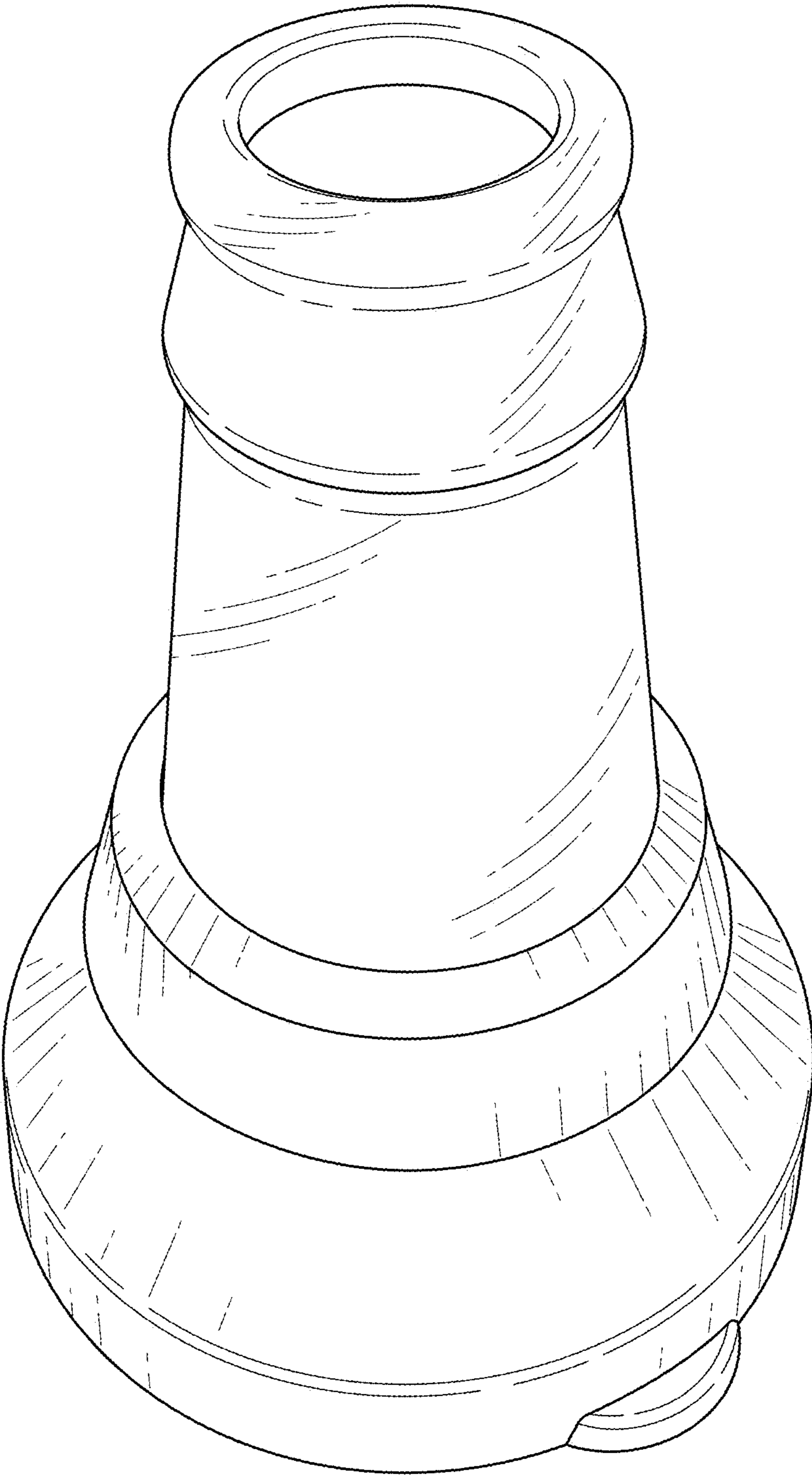


FIG. 1

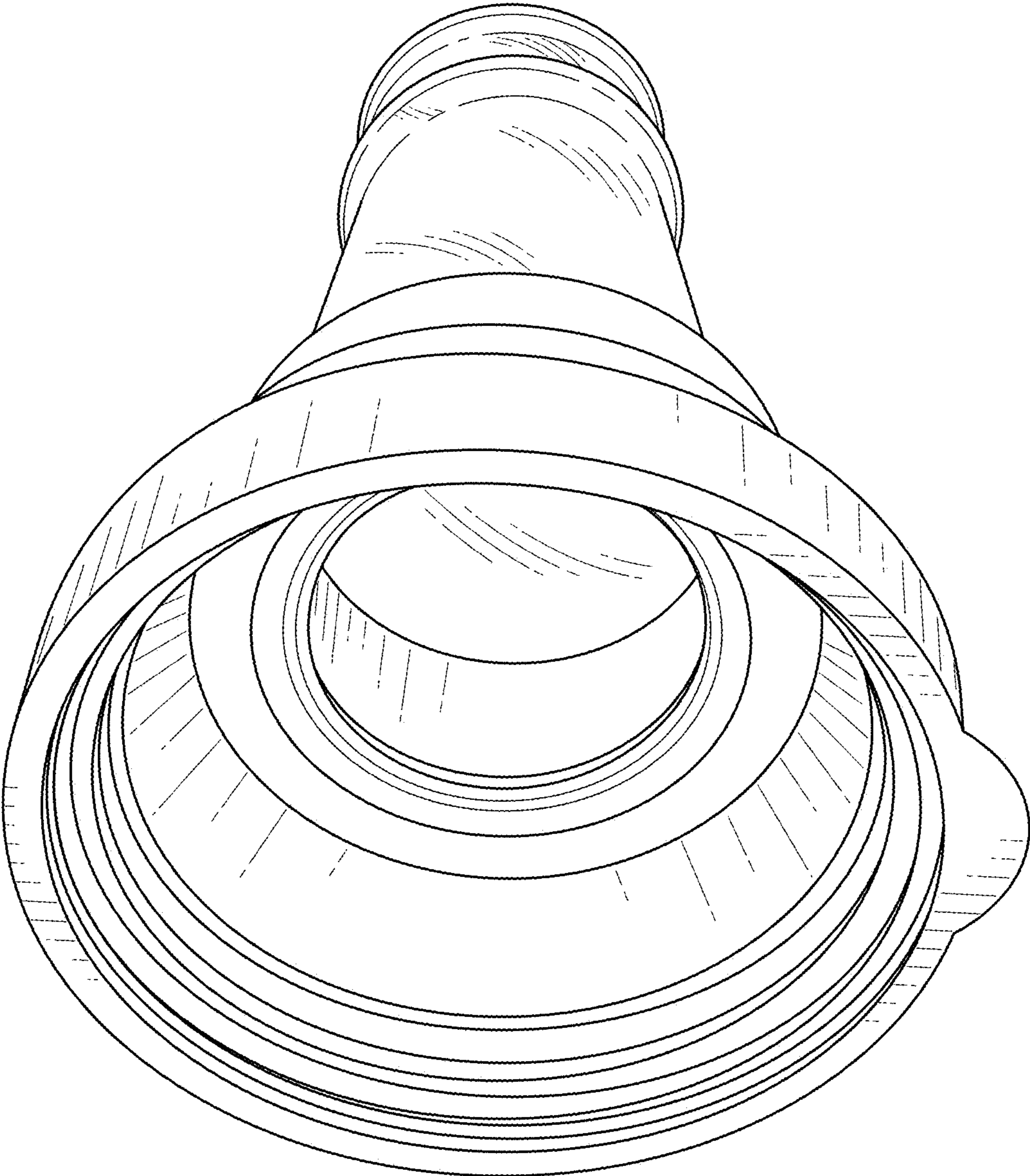


FIG. 2

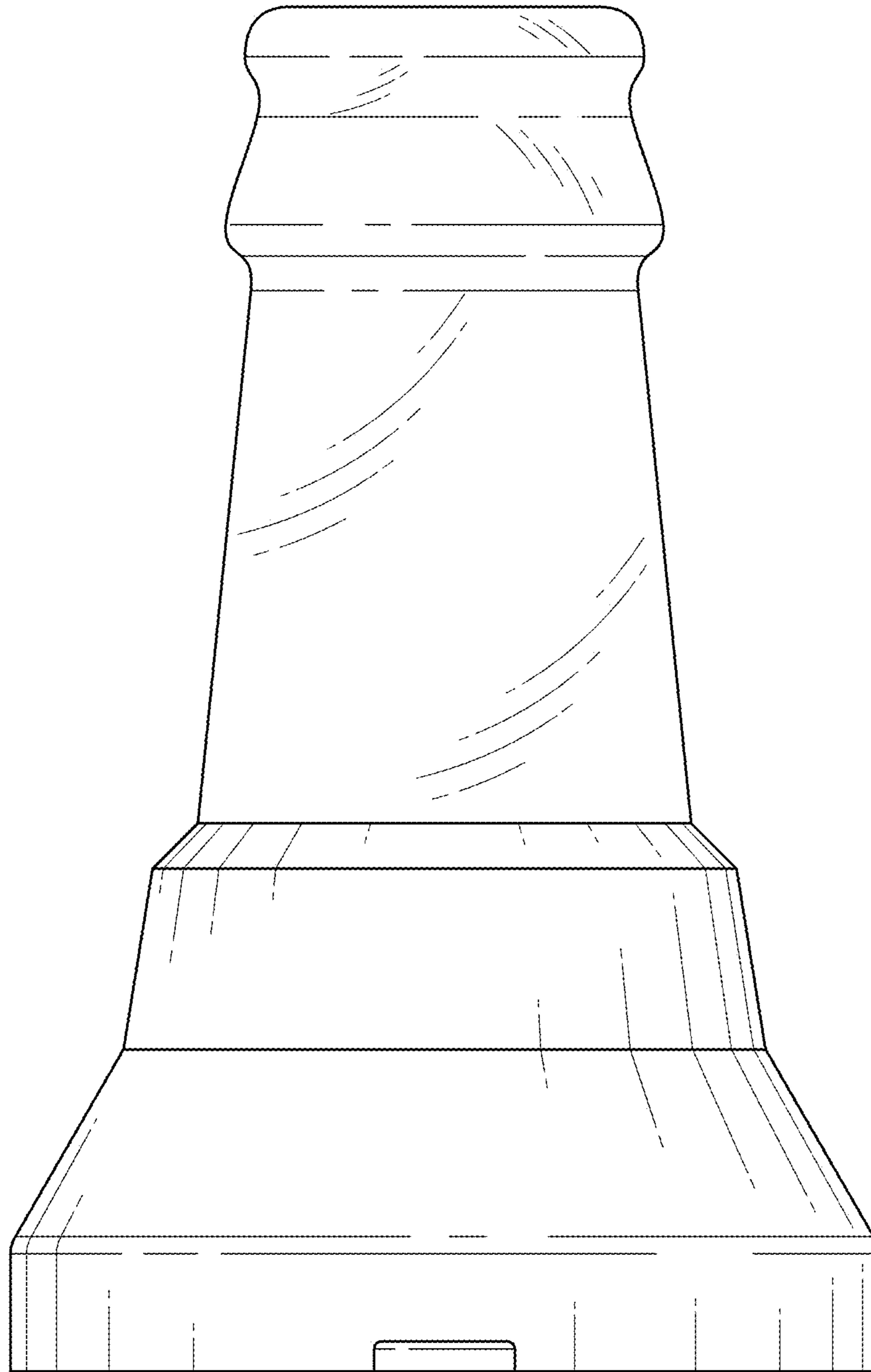


FIG. 3

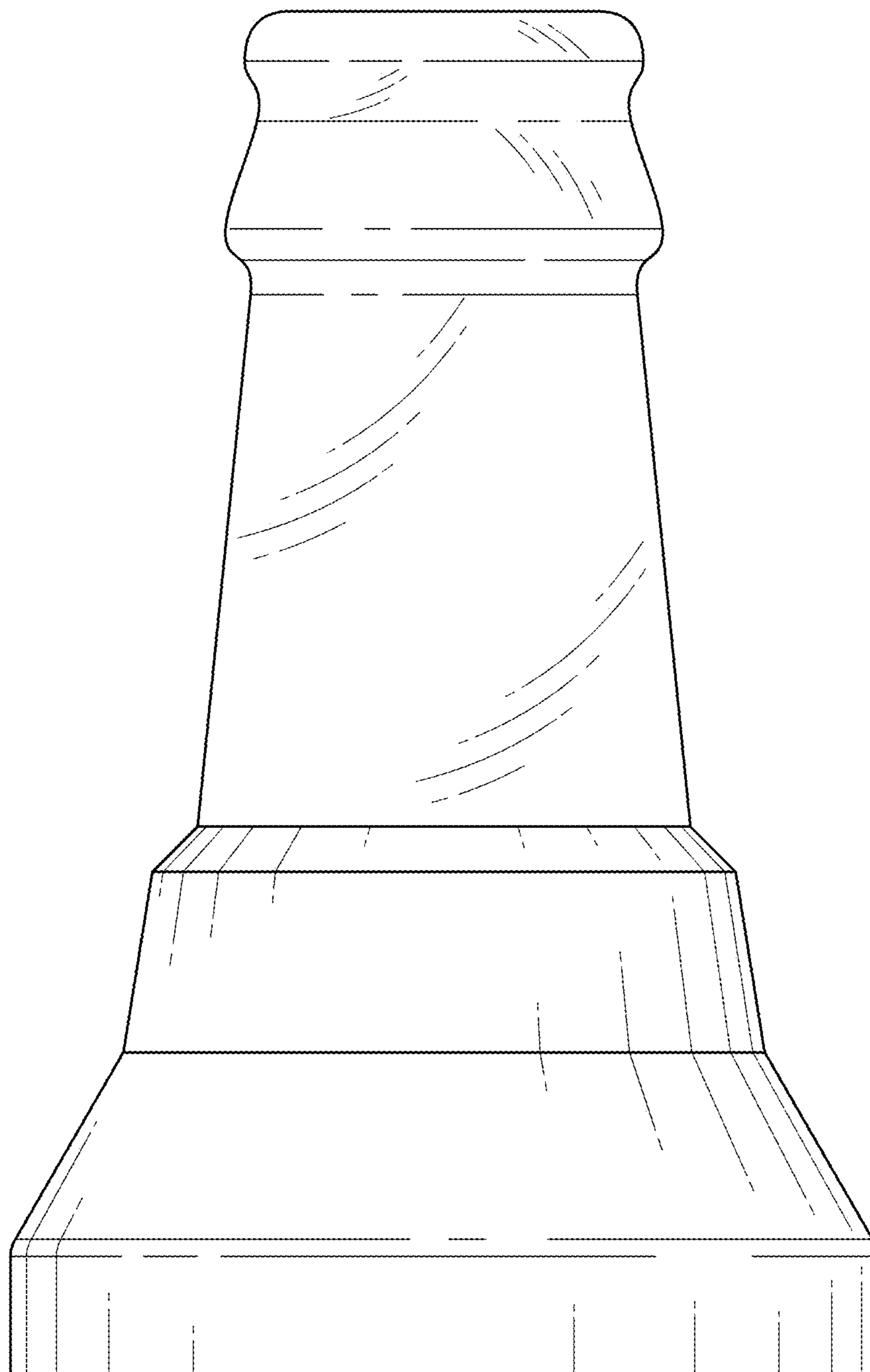


FIG. 4

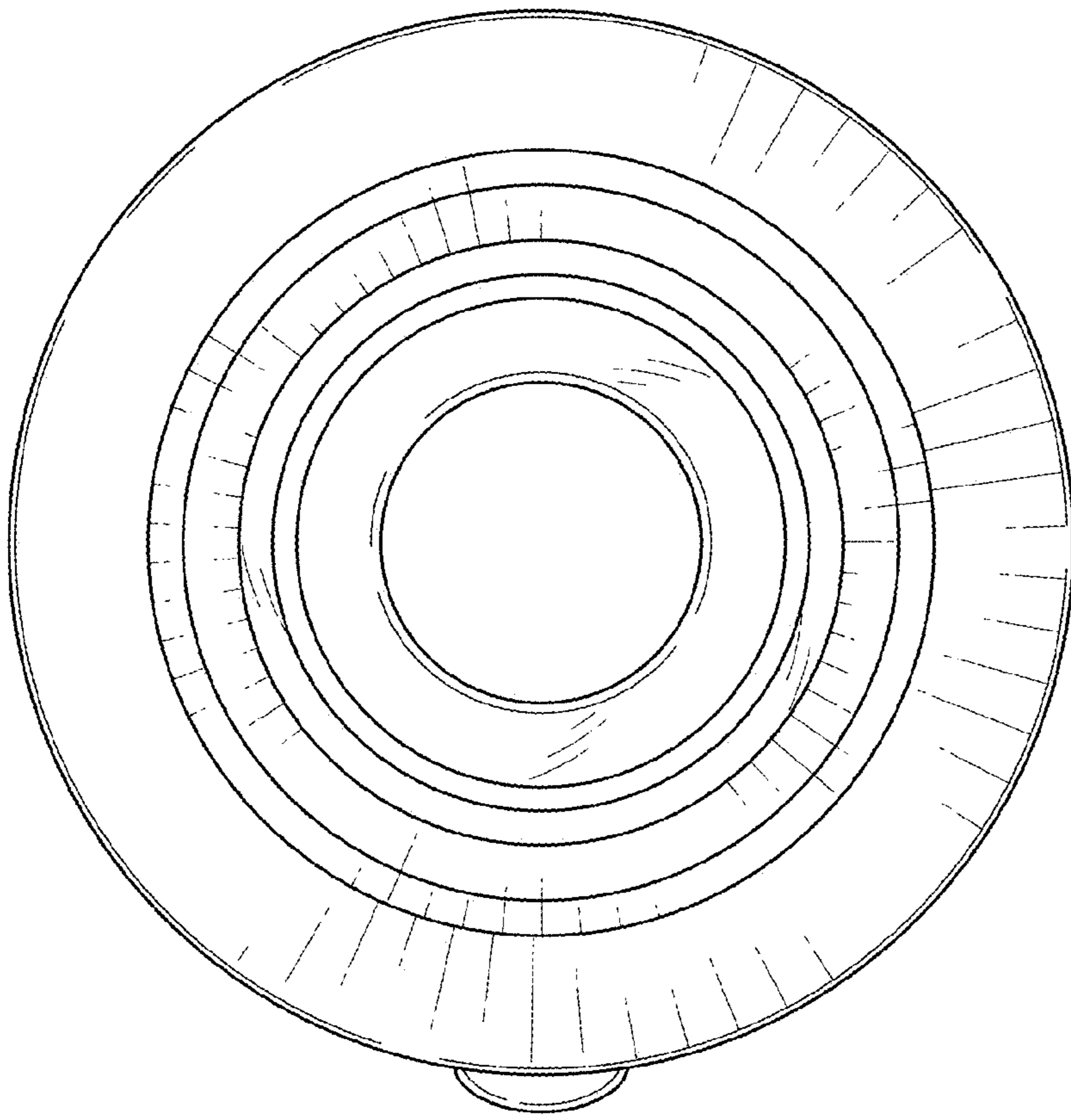


FIG. 5

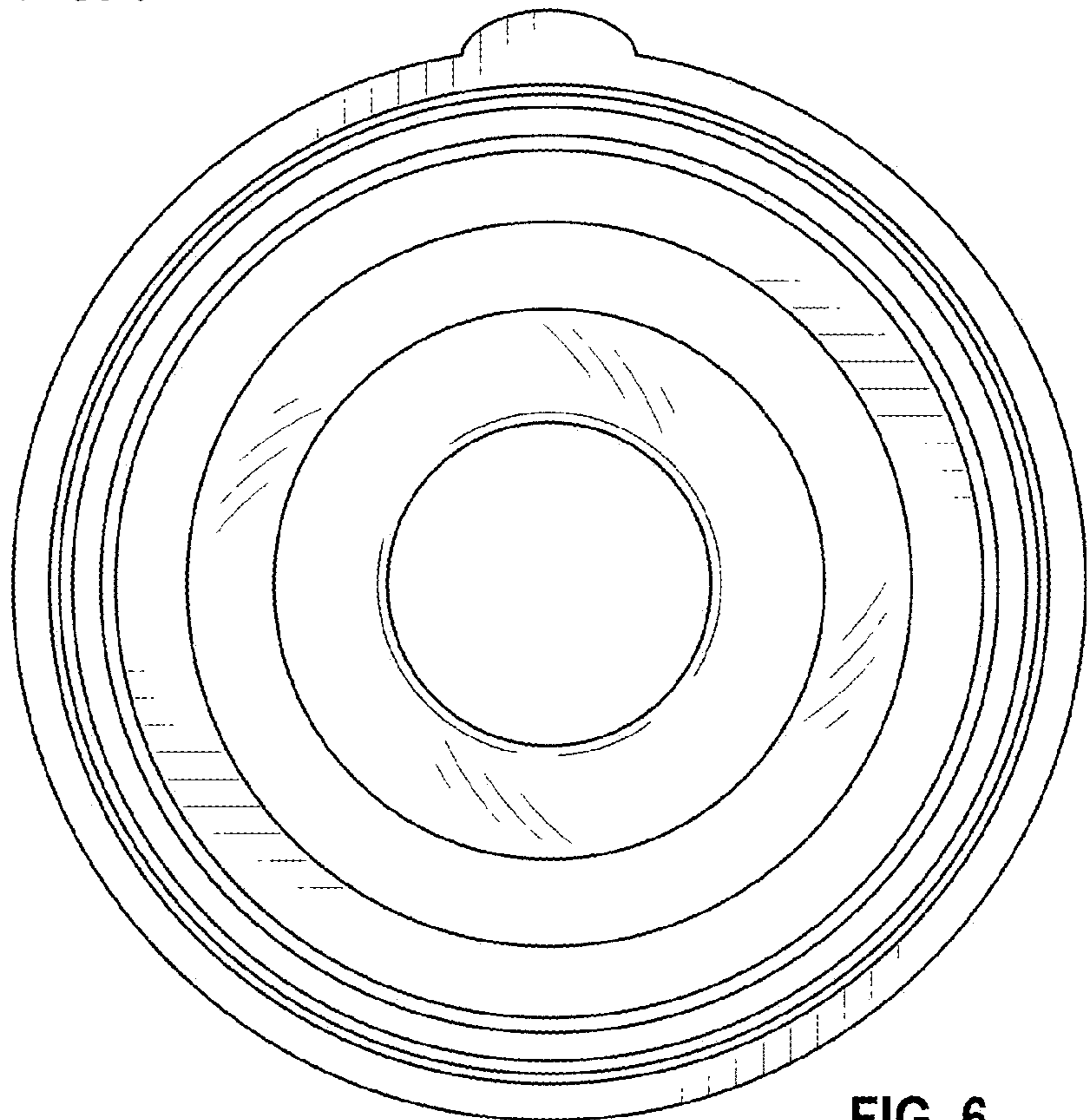


FIG. 6