



US00D895349S

(12) **United States Design Patent**
Copeland

(10) **Patent No.:** **US D895,349 S**

(45) **Date of Patent:** **** Sep. 8, 2020**

(54) **DECORATIVE SILVERWARE WRAP**

(71) Applicant: **Clovis Copeland**, Brampton (CA)

(72) Inventor: **Clovis Copeland**, Brampton (CA)

(**) Term: **15 Years**

(21) Appl. No.: **29/657,596**

(22) Filed: **Jul. 24, 2018**

(51) **LOC (12) Cl.** **07-02**

(52) **U.S. Cl.**
USPC **D7/391; D7/653**

(58) **Field of Classification Search**
USPC D3/205, 215, 299, 318; D6/613, 616;
D7/360, 368, 401.2, 642-645, 653-664,
D7/669, 675-677, 683, 688-689, 691;
D8/107, 300-301; D9/717; D21/576,
D21/606-609, 625-627; D22/117-118
CPC ... A01D 9/02; A01D 9/04; A01D 9/06; A45D
29/20; B25H 3/00; A45F 5/00; A45F
5/04; A47G 21/00; A47G 21/004; A47G
21/005; A47G 21/02; A47G 21/023;
A47G 21/04; A47G 21/06; A47G 21/08;
A47G 21/14; A47G 21/16; A47J 43/28;
A47J 43/281; A47J 43/282; A61F 13/10;
A61J 7/0023; B25G 1/00; B25G 1/01;
B25G 1/02; B25G 3/00; B65D 75/56;
B65D 75/563; B65D 75/566; B67B 7/00;
B67B 7/724; B67B 7/73
See application file for complete search history.

(56) **References Cited**

U.S. PATENT DOCUMENTS

1,565,389 A 12/1925 Peacock
1,650,393 A 11/1927 Louis
1,673,602 A 6/1928 Sternthal
3,978,553 A * 9/1976 Honig A45F 5/04
24/7

4,800,108 A 1/1989 Swartz
5,011,017 A 4/1991 Glesen
D336,047 S * 6/1993 Kim D9/717
5,487,924 A * 1/1996 Fritze A47G 21/16
24/7
5,727,677 A 3/1998 Peviani
D632,078 S * 2/2011 Schmitz D3/299
D665,214 S * 8/2012 Vagliardo D6/616
D666,806 S * 9/2012 Southard D3/205
D669,292 S * 10/2012 Mekpongsatorn D6/613
8,651,275 B1 * 2/2014 D'Aloisio A47G 21/16
206/494
D702,093 S 4/2014 Cavanagh
D755,559 S * 5/2016 Gabbay D7/354
D846,877 S * 4/2019 Webster D3/318
D848,143 S * 5/2019 Touchstone D3/215

(Continued)

FOREIGN PATENT DOCUMENTS

CA 2016729 A 11/1990

Primary Examiner — Ricky Pham

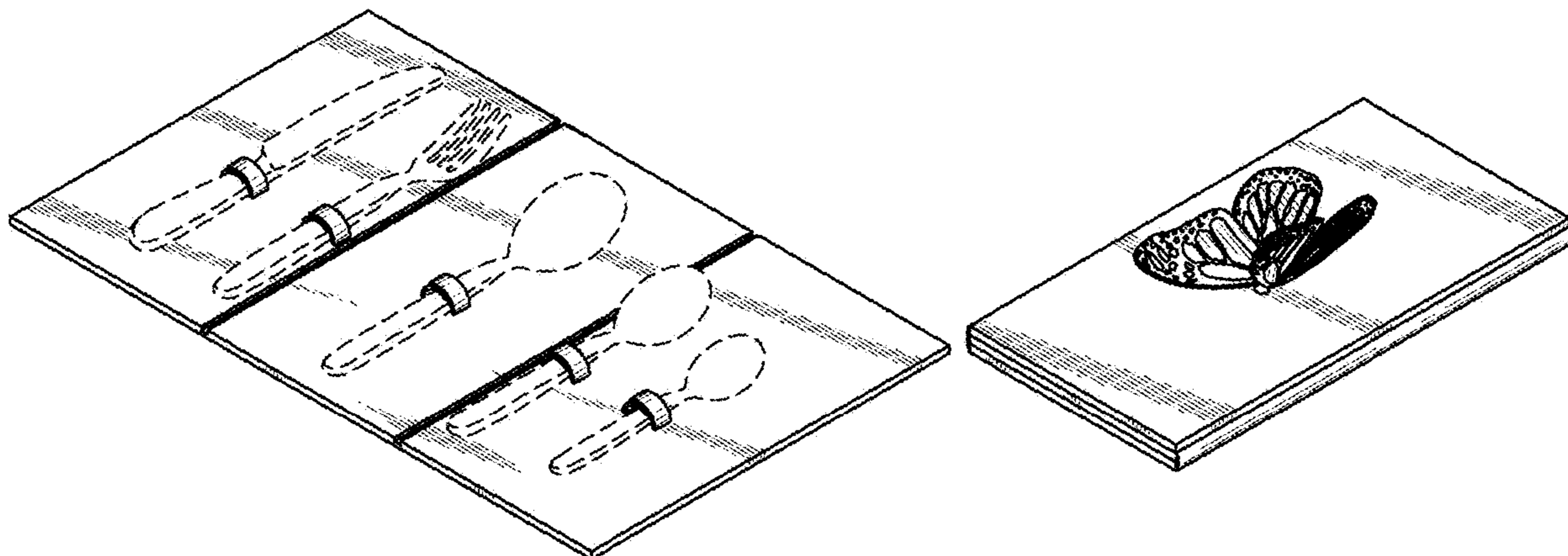
(57) **CLAIM**

I claim the ornamental design for a decorative silverware wrap, as shown and described.

DESCRIPTION

FIG. 1 is a front view of the decorative silverware wrap.
FIG. 2 is a rear view of the claimed design.
FIG. 3 is a left side view of the claimed design.
FIG. 4 is a right side view of the claimed design.
FIG. 5 is a top view of the claimed design.
FIG. 6 is a bottom view of the claimed design.
FIG. 7 is a perspective view of the claimed design in an unfolded flat position showing the silverware in use; and, FIG. 8 is a perspective view of the claimed design in a folded position.
The broken lines appearing on FIG. 7 of the silverware are environmental matter forming no part of the claimed design.

1 Claim, 3 Drawing Sheets



(56)

References Cited

U.S. PATENT DOCUMENTS

2006/0207902 A1* 9/2006 Frye A45D 29/20
206/373
2010/0044271 A1* 2/2010 McMillan A47G 21/14
206/553

* cited by examiner

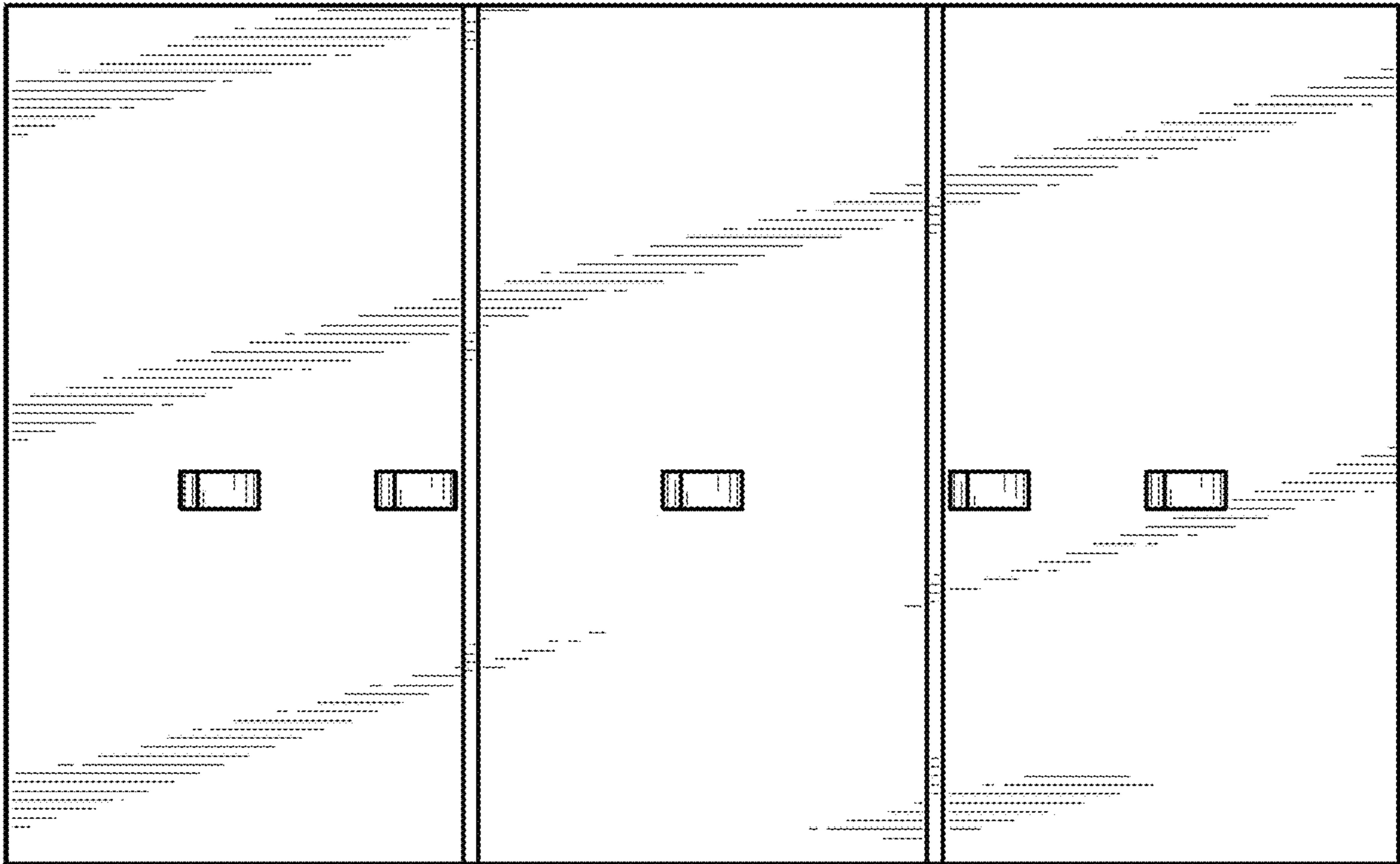


FIG. 1

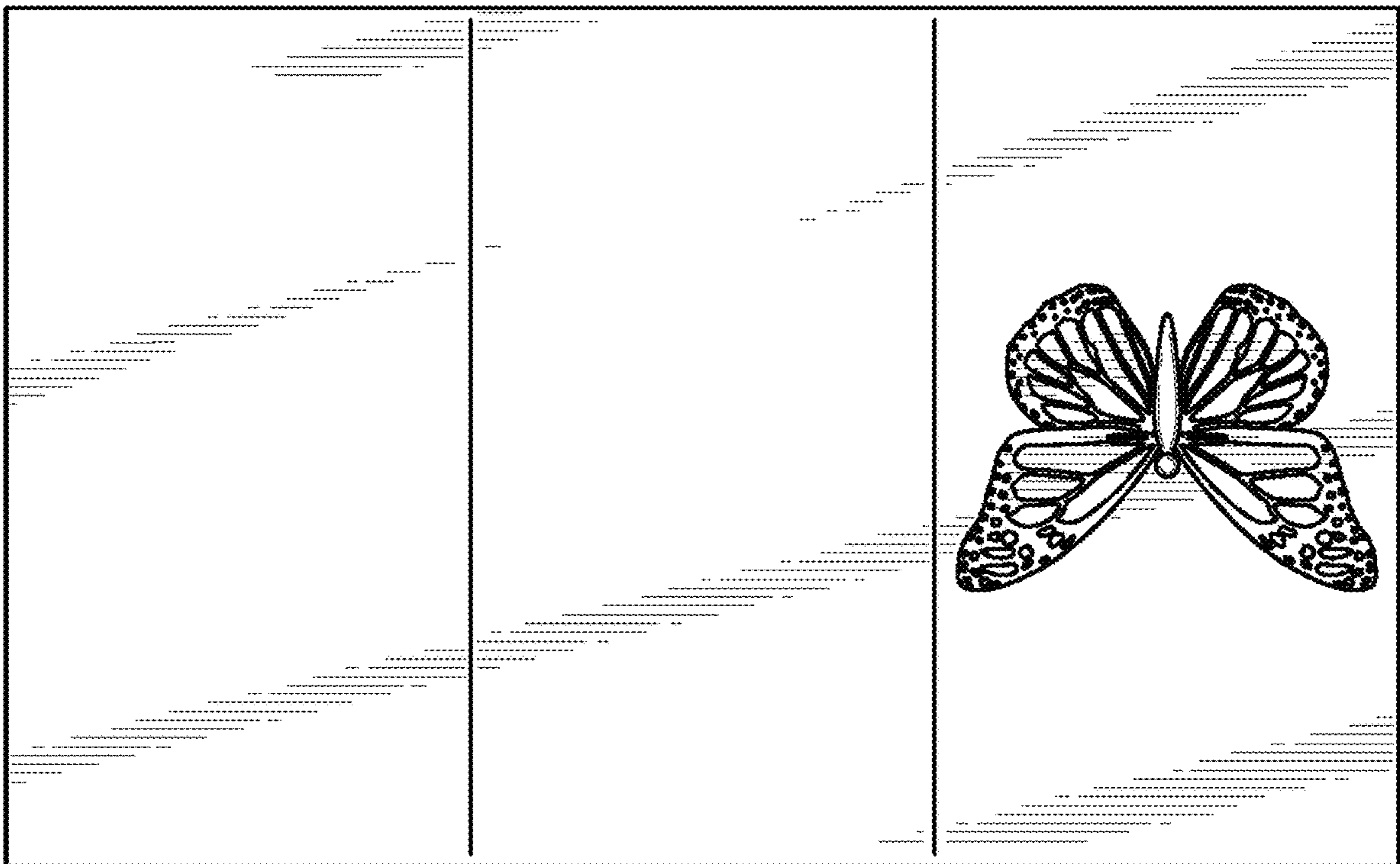


FIG. 2



FIG. 3



FIG. 4



FIG. 5



FIG. 6

