



US00D895348S

(12) **United States Design Patent** (10) **Patent No.:** **US D895,348 S**
Vignau-Lous (45) **Date of Patent:** **** Sep. 8, 2020**

(54) **COOKING CONTAINER**

D629,643 S * 12/2010 Bower D7/376
D630,467 S * 1/2011 Harrod D7/372
D728,302 S * 5/2015 Vu D7/376

(71) Applicant: **BEABA**, Paris (FR)

(Continued)

(72) Inventor: **Bertrand Vignau-Lous**, Crest (FR)

Primary Examiner — Ricky Pham

(73) Assignee: **BEABA**, Paris (FR)

(74) *Attorney, Agent, or Firm* — Oliff PLC

(**) Term: **15 Years**

(57) **CLAIM**

(21) Appl. No.: **29/687,068**

The ornamental design for a cooking container, as shown and described.

(22) Filed: **Apr. 10, 2019**

DESCRIPTION

(30) **Foreign Application Priority Data**

Nov. 23, 2018 (EM) 005833589

(51) **LOC (12) Cl.** **31-00**

(52) **U.S. Cl.**
USPC **D7/377; D7/376; D7/378; D7/412**

(58) **Field of Classification Search**
USPC **D7/372-373, 376-386, 412-413, 507, D7/510, 602, 629, 665-666, 669, 679, D7/693-694**

CPC **A21C 1/02; A21C 1/04; A23N 1/00; A23N 1/02; A47J 43/04; A47J 43/25; A47J 43/27; A47J 43/042; A47J 43/044; A47J 43/046; A47J 43/075; A47J 43/0722; A47J 43/0727; B01F 3/00; B01F 3/0807; B01F 3/0853; B01F 13/0059; B01F 13/0064; B02C 1/08; B02C 2/04; B02C 4/42; B02C 4/142; B02C 4/143; B02C 4/423; B02C 13/1835; B28C 5/10; B28C 5/12; B28C 5/14; B28C 5/16**

See application file for complete search history.

FIG. 1 is a front, left-side, top perspective view of the cooking container;
FIG. 2 is a front elevational view thereof;
FIG. 3 is a rear elevational view thereof;
FIG. 4 is a left-side elevational view thereof;
FIG. 5 is a right-side elevational view thereof;
FIG. 6 is a top plan view thereof; and
FIG. 7 is a bottom plan view thereof.
FIG. 8 is an enlarged front, left-side, top perspective view of a the top part of the cooking container without the bottom part;
FIG. 9 is a left-side elevational view thereof;
FIG. 10 is a right-side elevational view thereof;
FIG. 11 is a rear elevational view thereof;
FIG. 12 is a front elevational view thereof;
FIG. 13 is a top plan view thereof; and
FIG. 14 is a bottom plan view thereof.
FIG. 15 is an enlarged front, left-side, top perspective view of a the bottom part of the cooking container without the top part;
FIG. 16 is a front elevational view thereof;
FIG. 17 is a rear elevational view thereof;
FIG. 18 is a right-side elevational view thereof;
FIG. 19 is a left-side elevational view thereof;
FIG. 20 is a top plan view thereof; and,
FIG. 21 is a bottom plan view thereof.

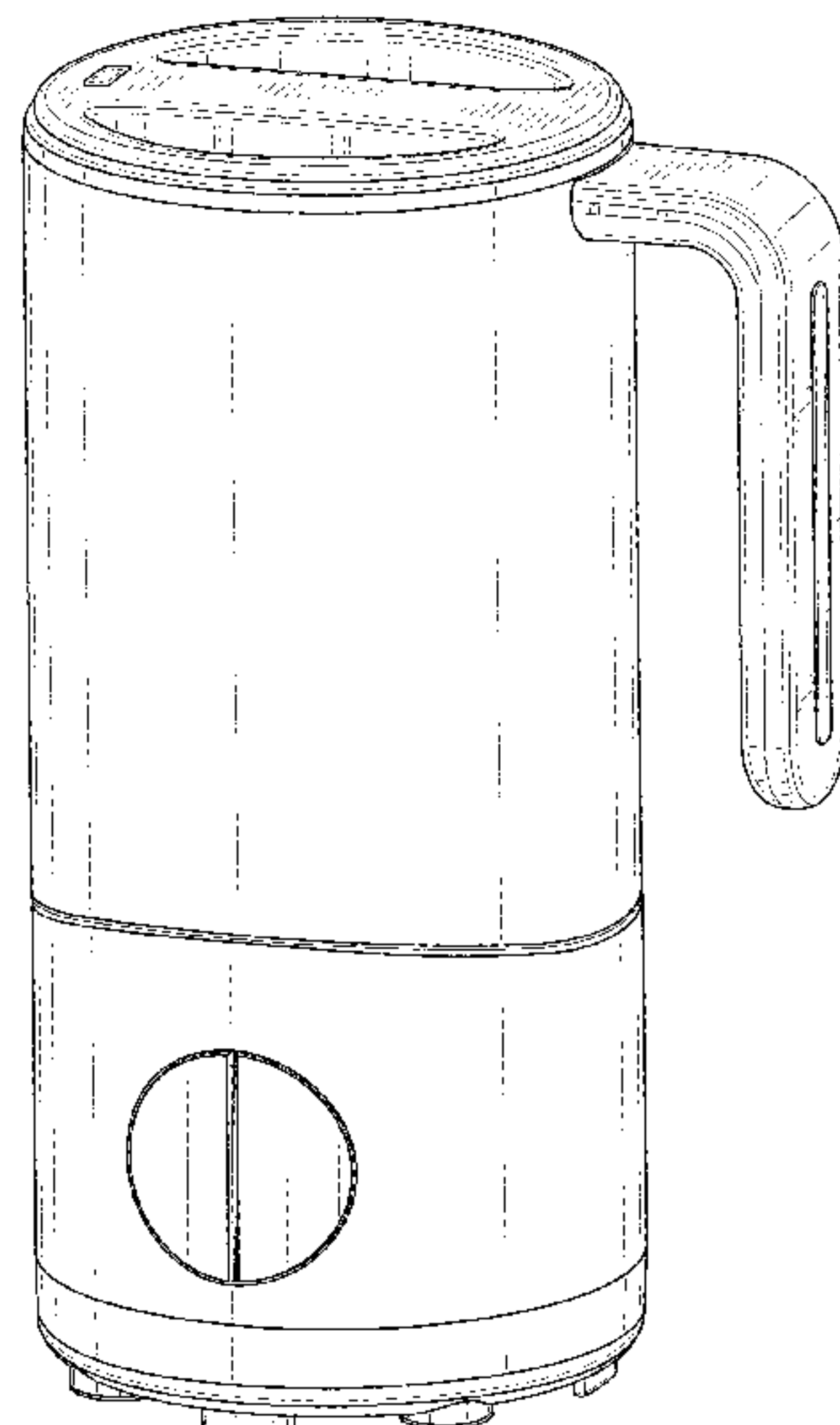
The broken lines depict parts of the cooking container that form no part of the claimed design.

(56) **References Cited**

U.S. PATENT DOCUMENTS

D475,577 S * 6/2003 Kung D7/507
D587,967 S * 3/2009 Wahl D7/507
D598,712 S * 8/2009 Alviar D7/510
D602,308 S * 10/2009 Alviar D7/510

1 Claim, 21 Drawing Sheets



(56)

References Cited

U.S. PATENT DOCUMENTS

D815,886 S *	4/2018	Huang	D7/378
D825,983 S *	8/2018	Kraemer	D7/373
D833,804 S *	11/2018	Huang	D7/378
D847,557 S *	5/2019	Kraemer	D7/373
D867,806 S *	11/2019	Bodum	D7/377
2016/0130052 A1 *	5/2016	Stenglein	A47J 43/0727 220/212

* cited by examiner

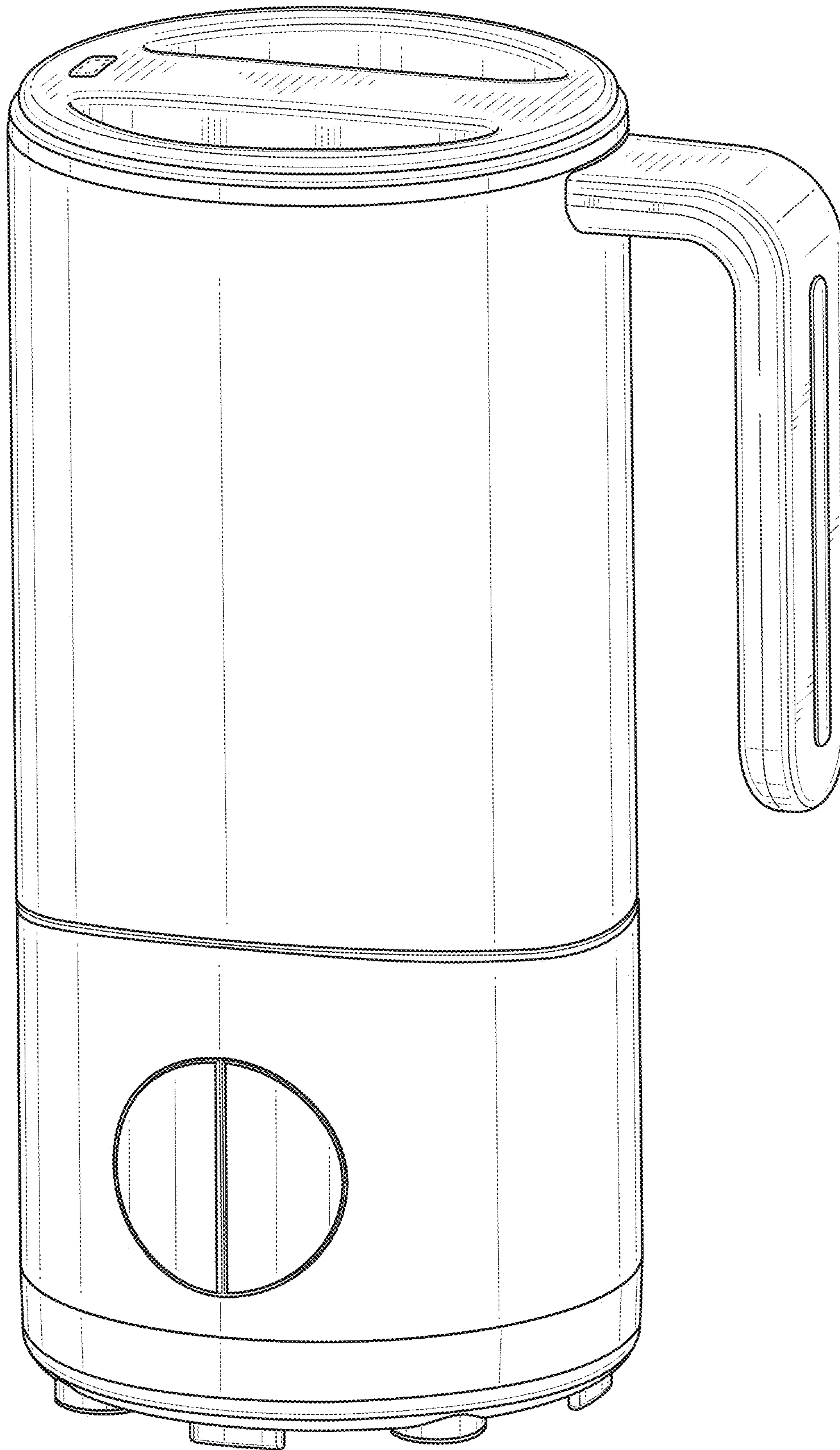


FIG. 1

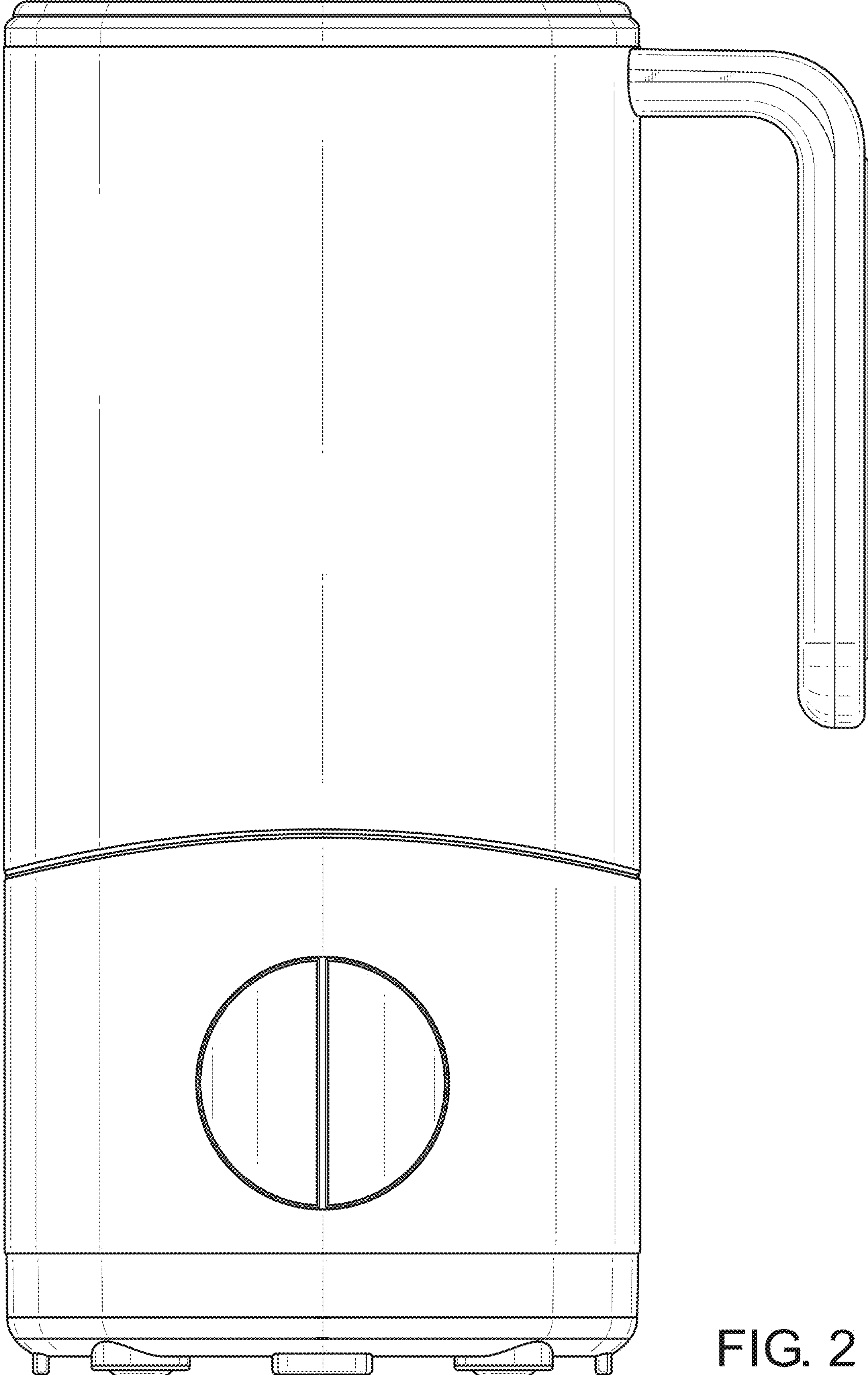


FIG. 2

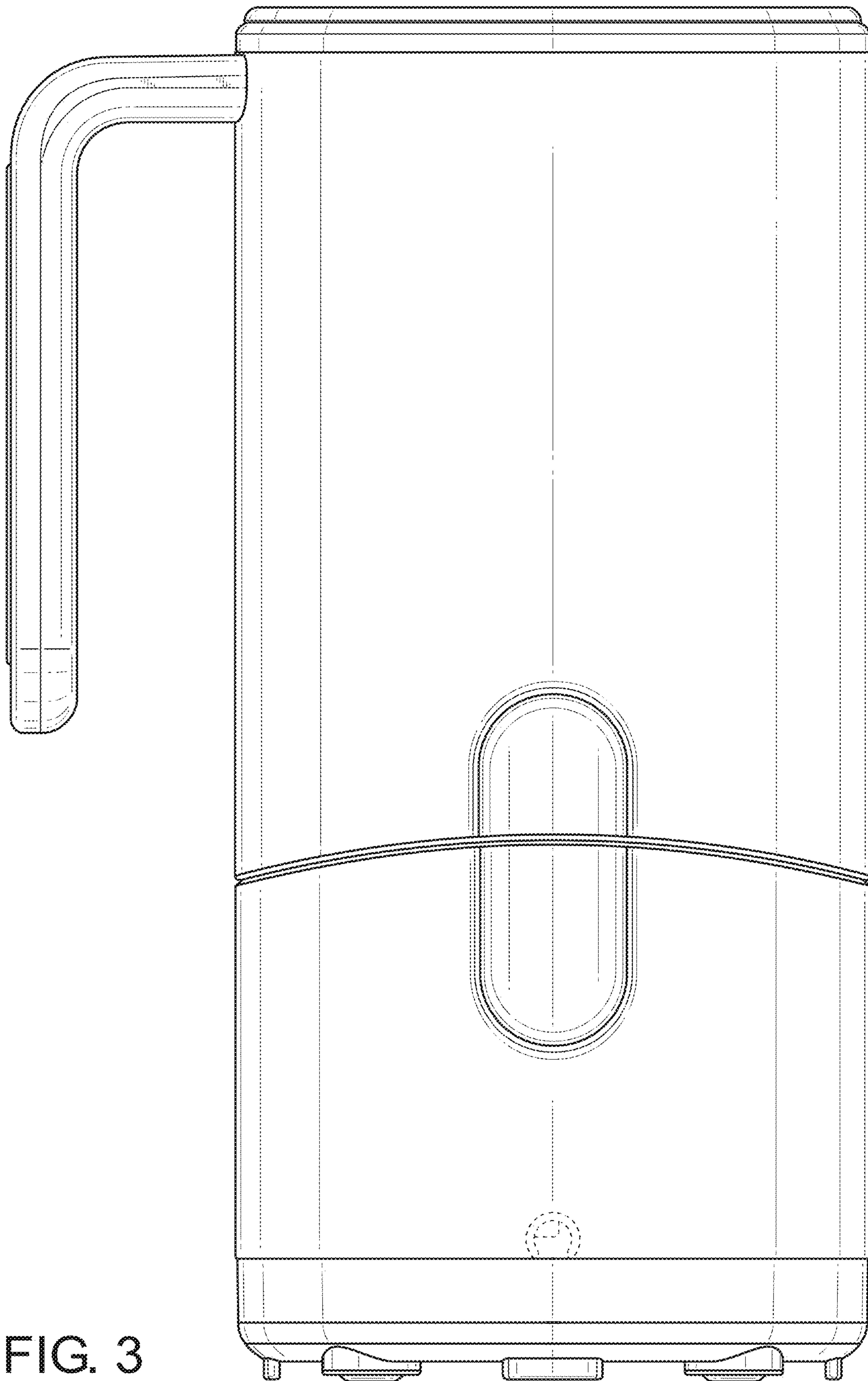


FIG. 3

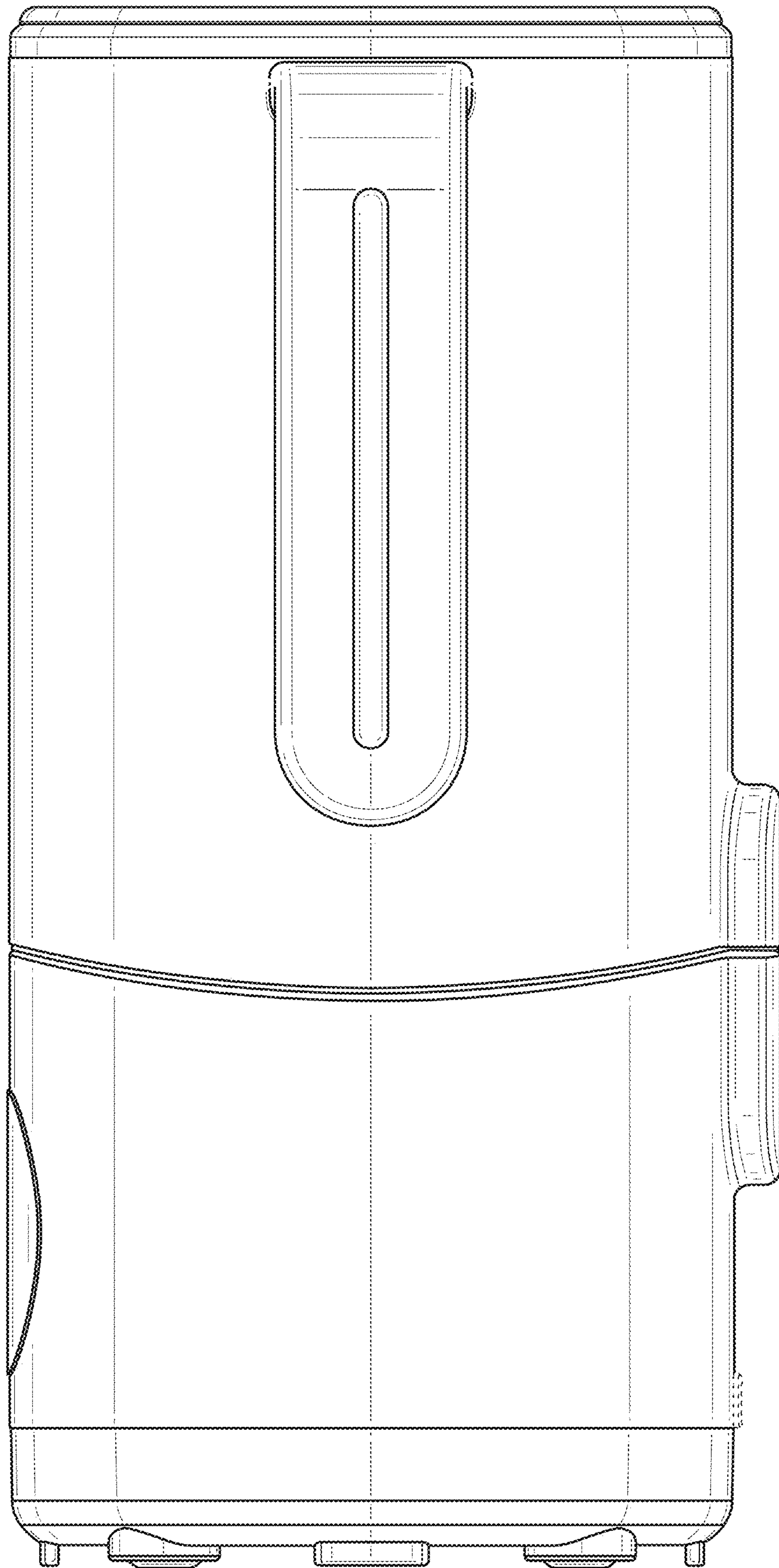


FIG. 4

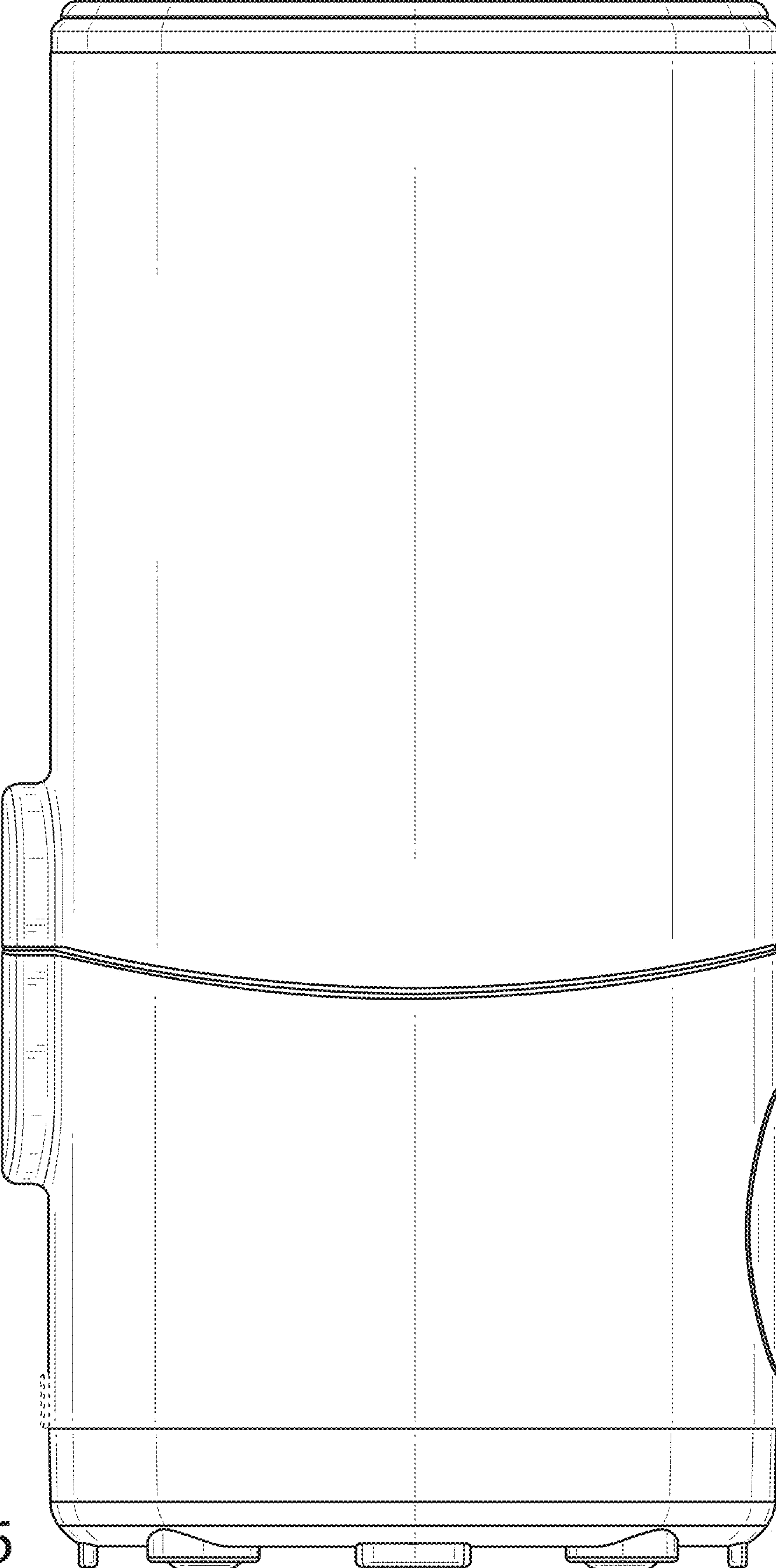


FIG. 5

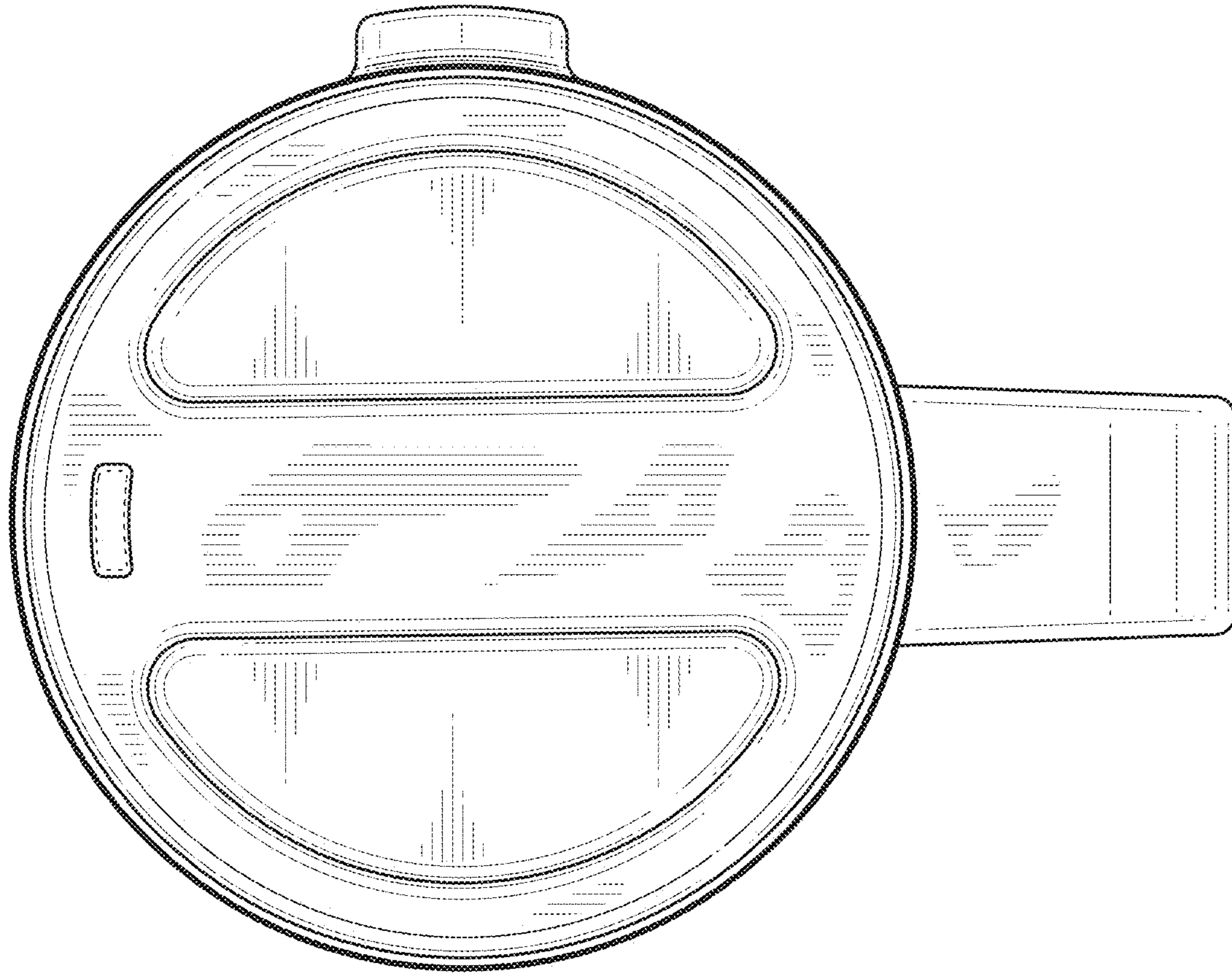


FIG. 6

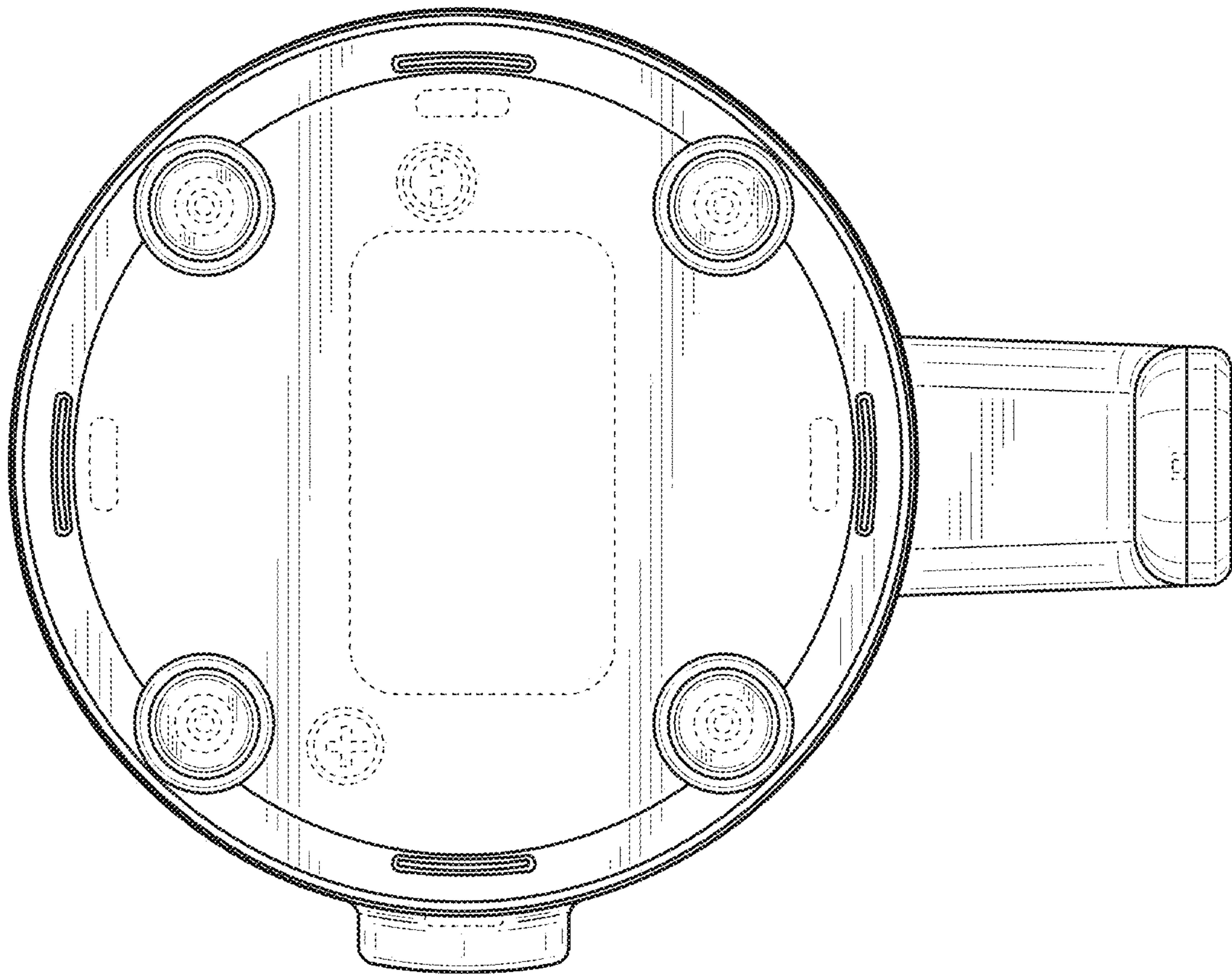


FIG. 7

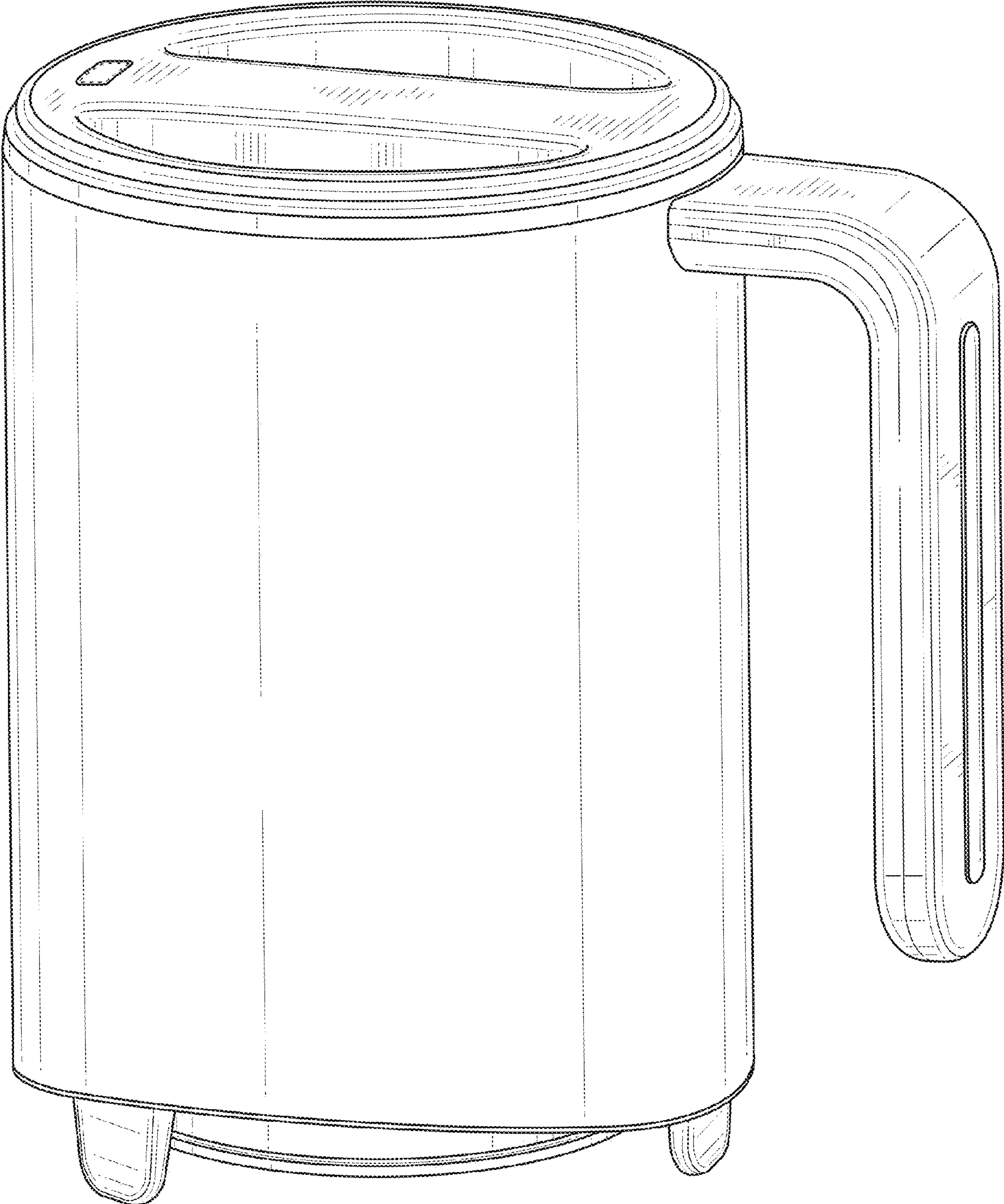


FIG. 8

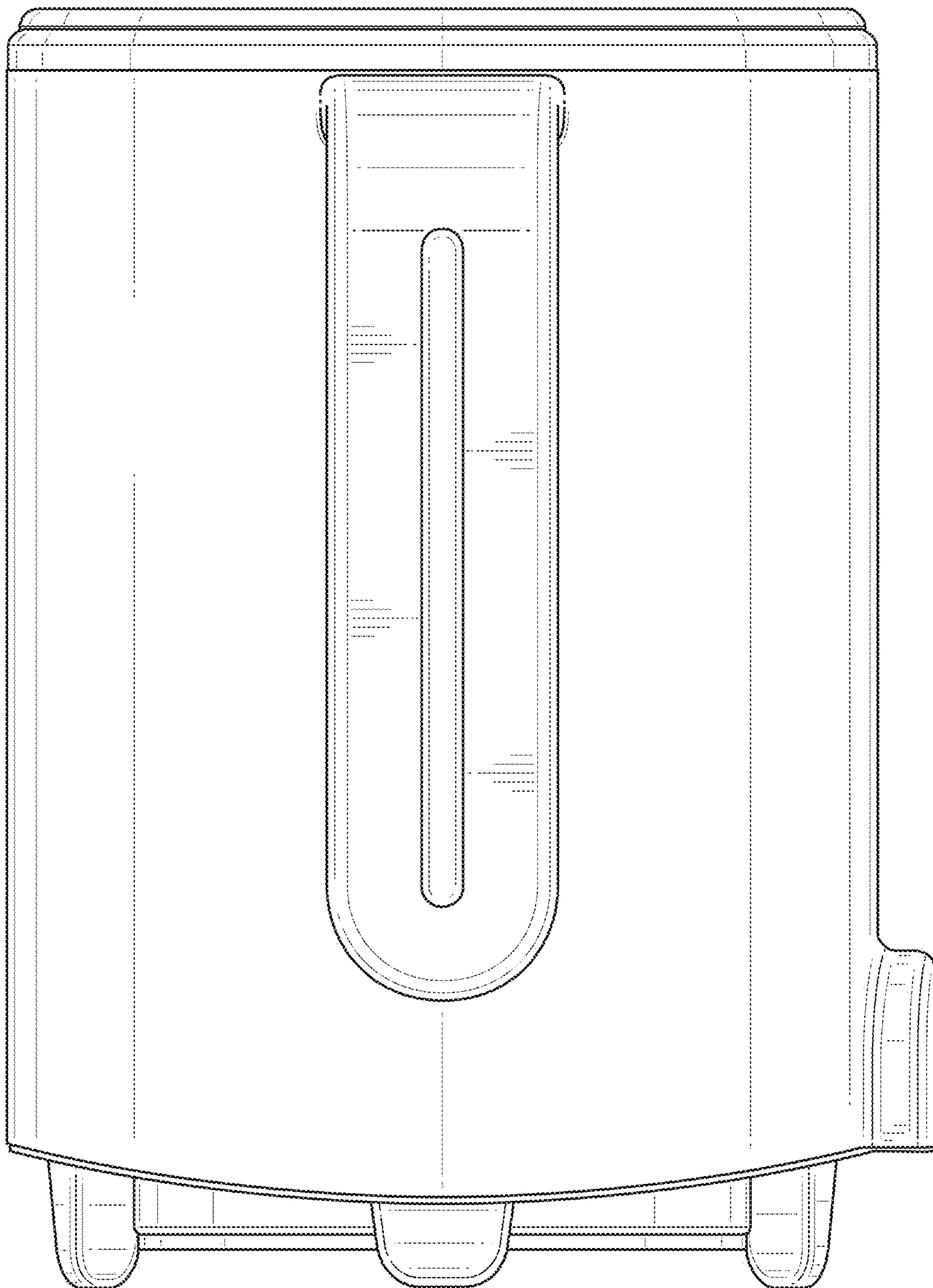


FIG. 9

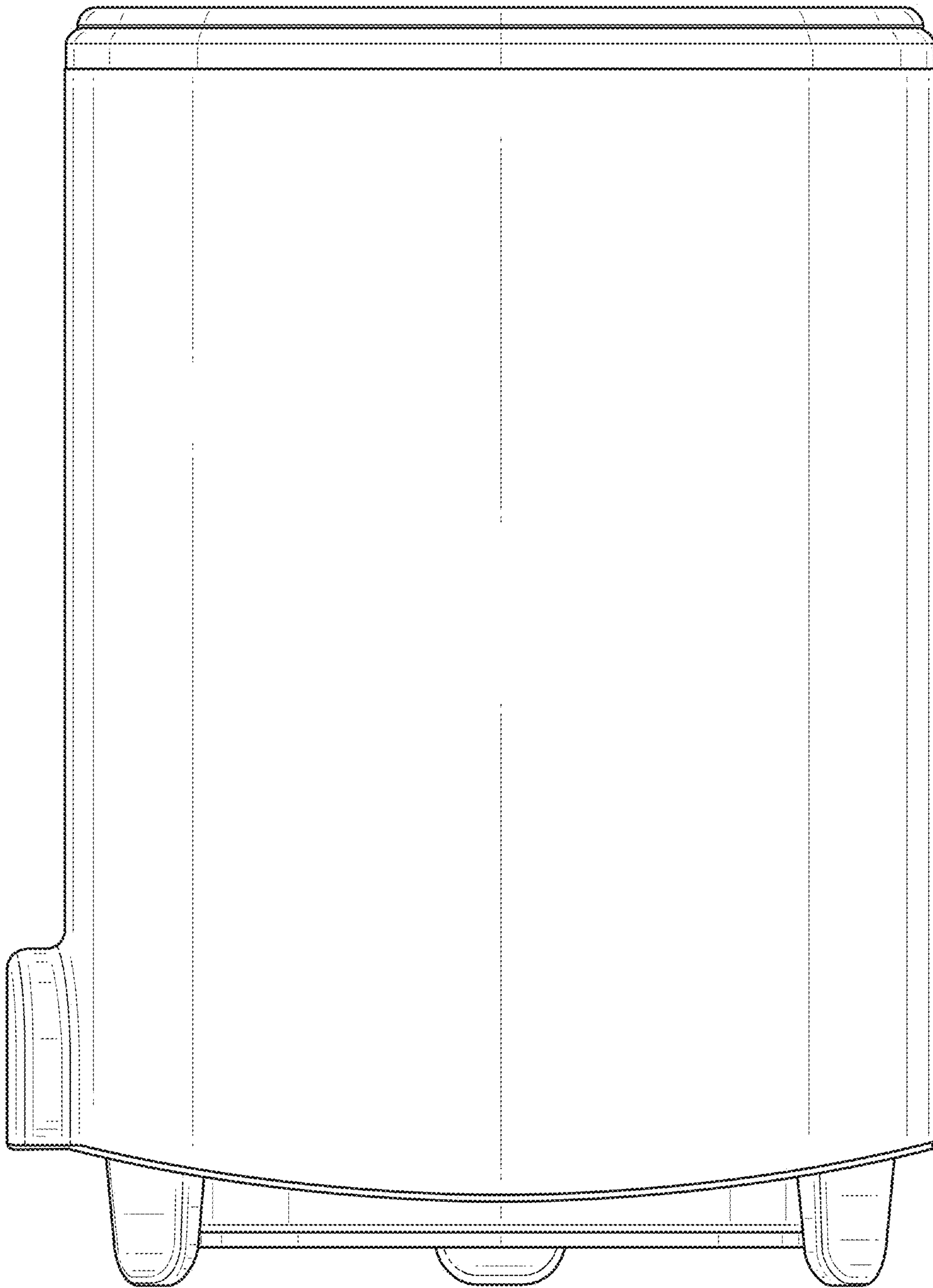


FIG. 10

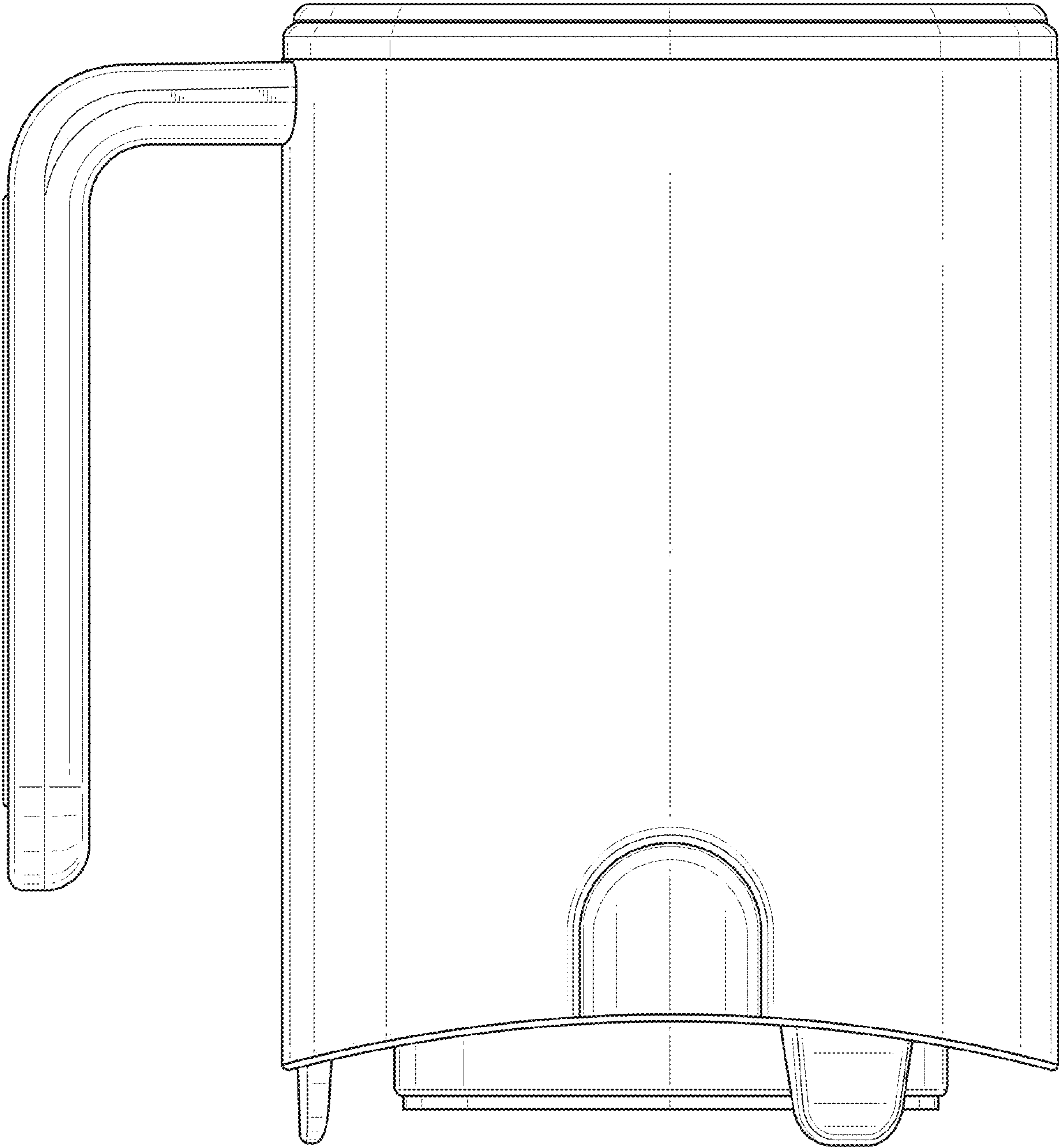


FIG. 11

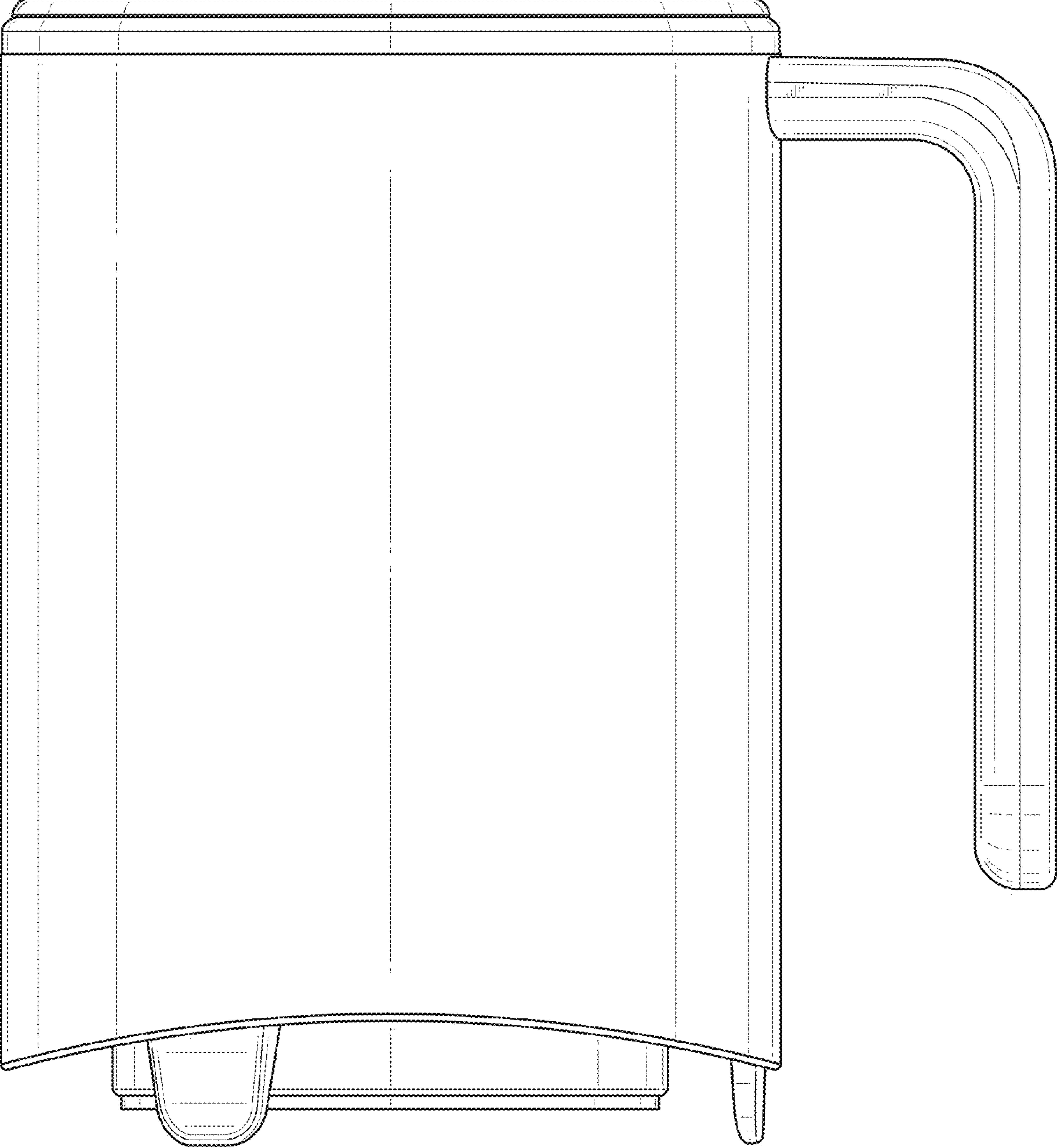


FIG. 12

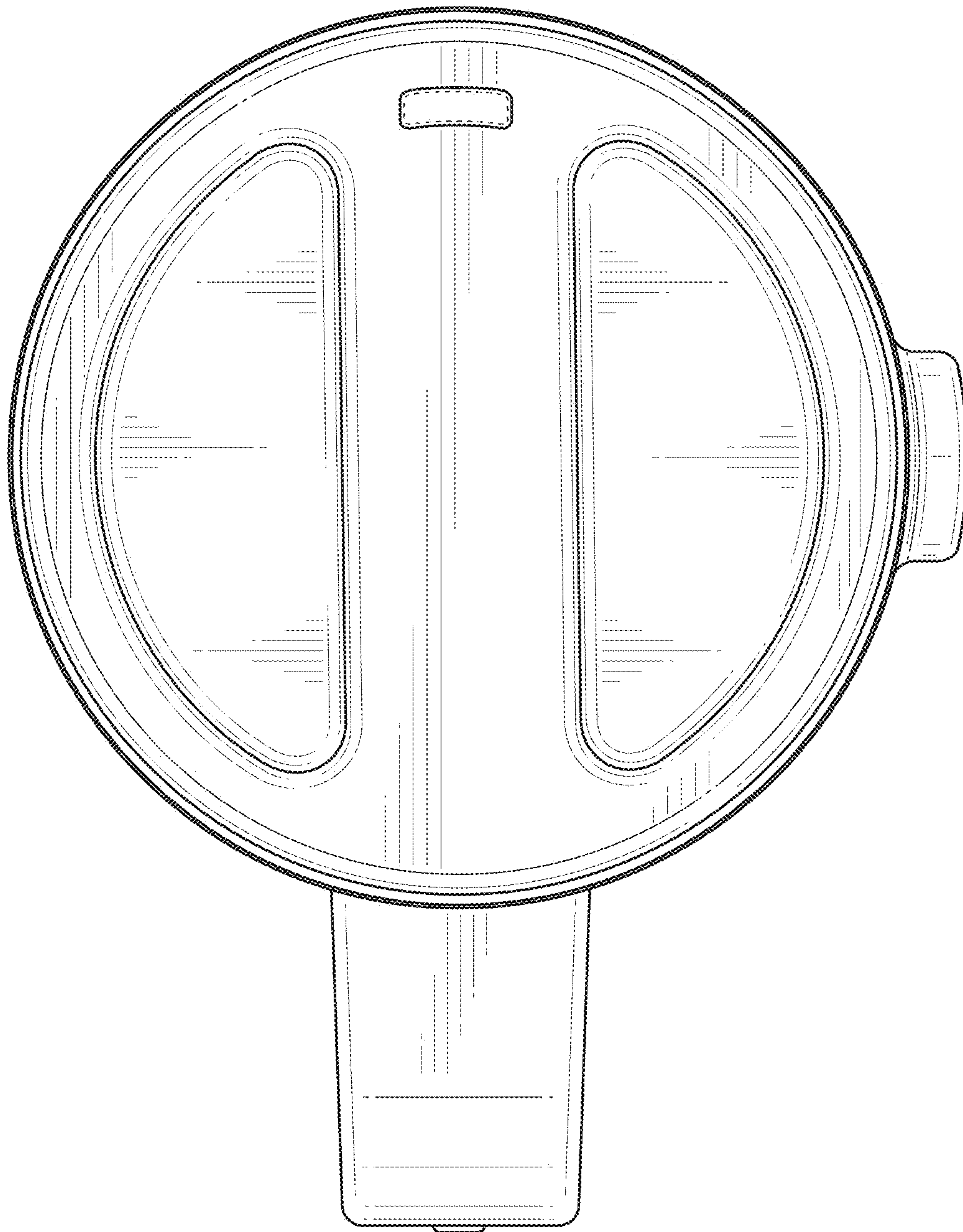


FIG. 13

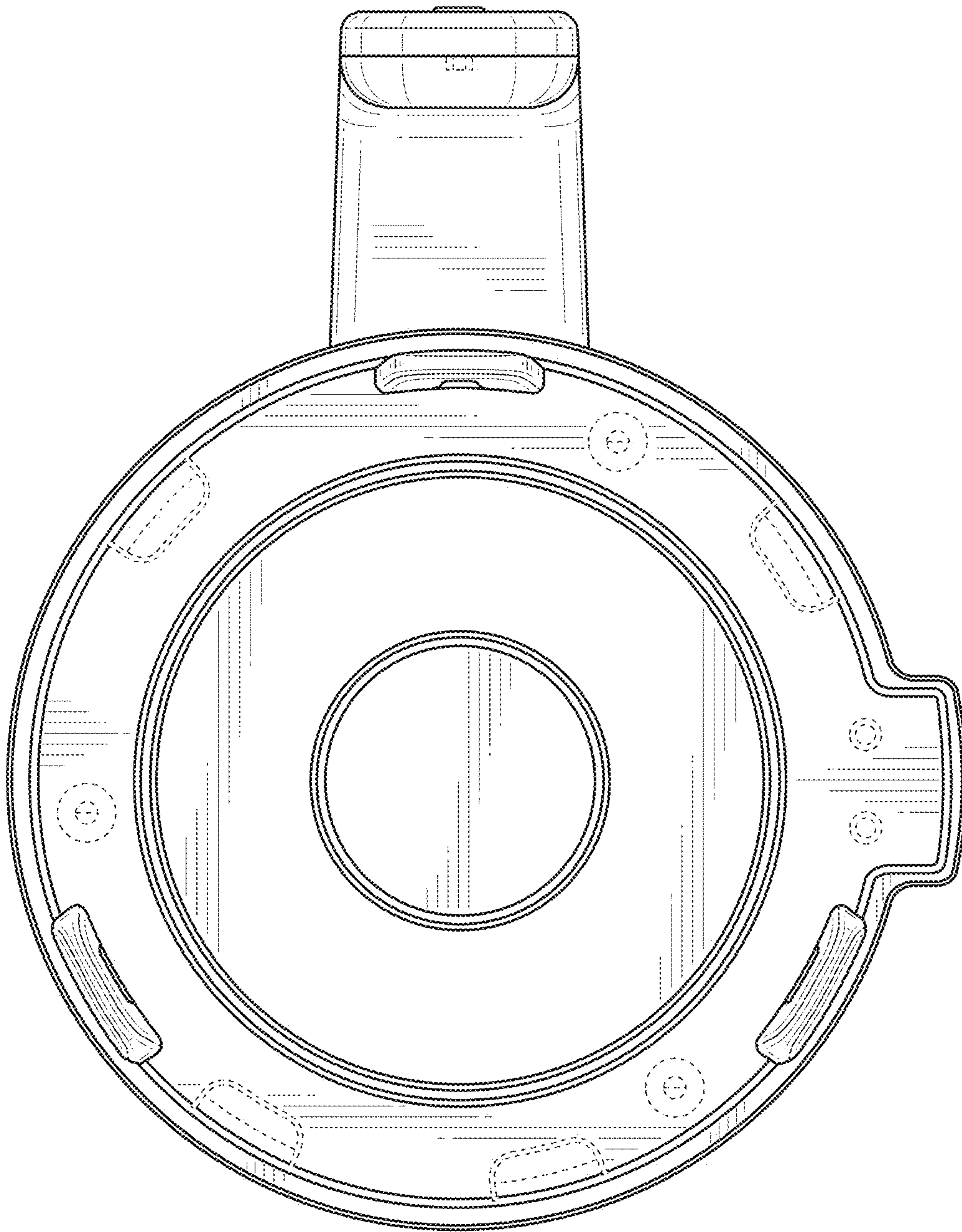


FIG. 14

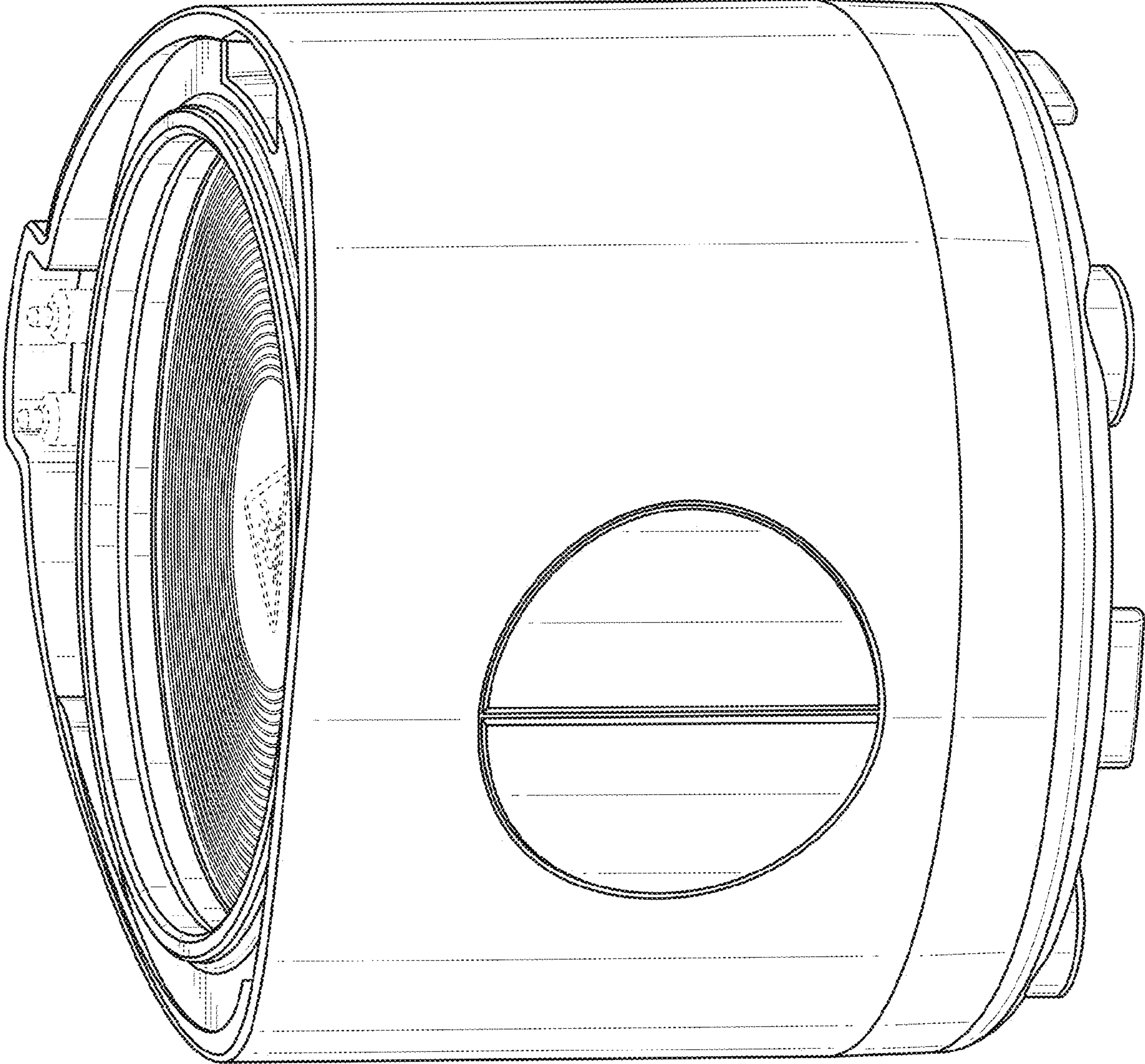


FIG. 15

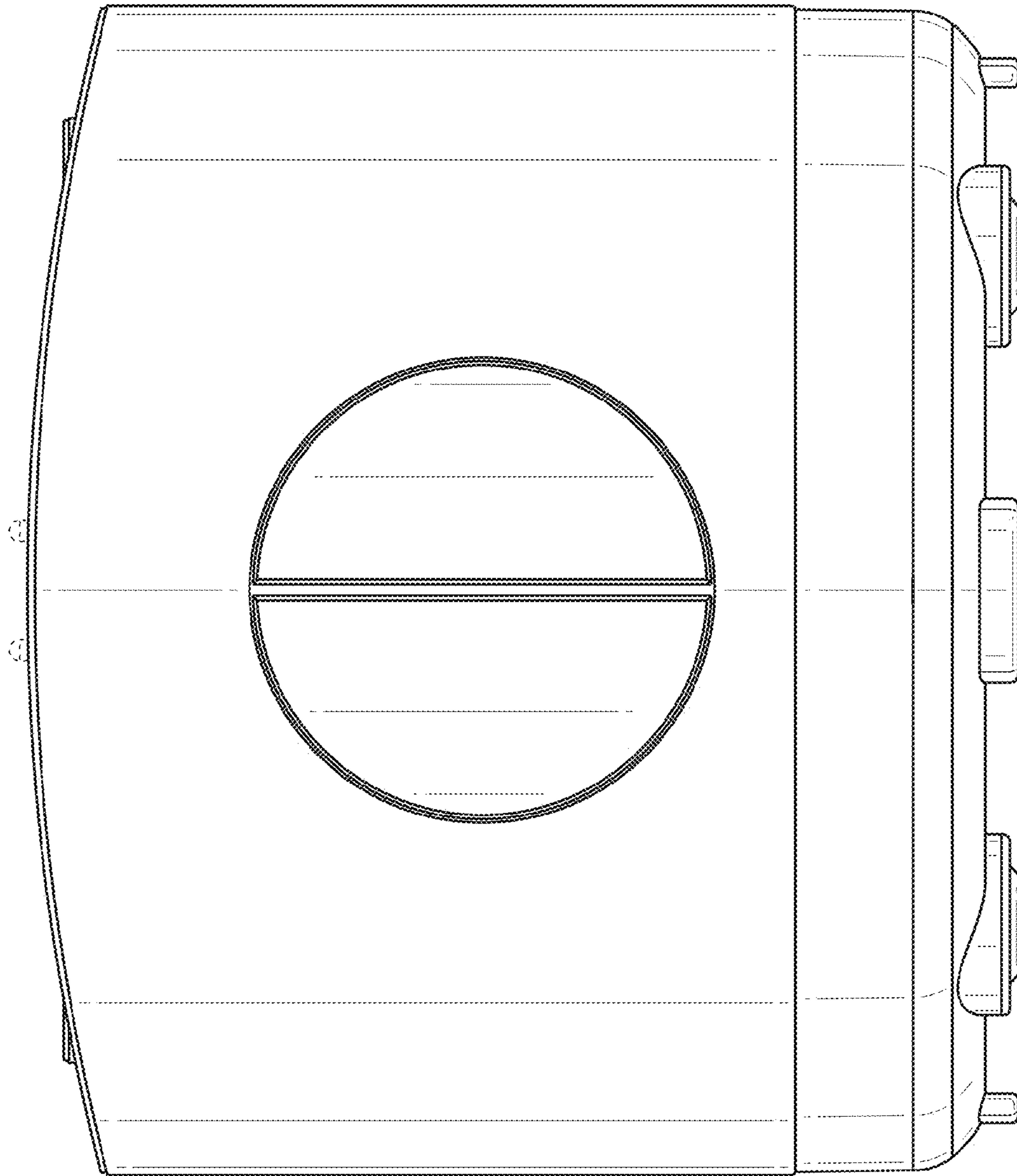


FIG. 16

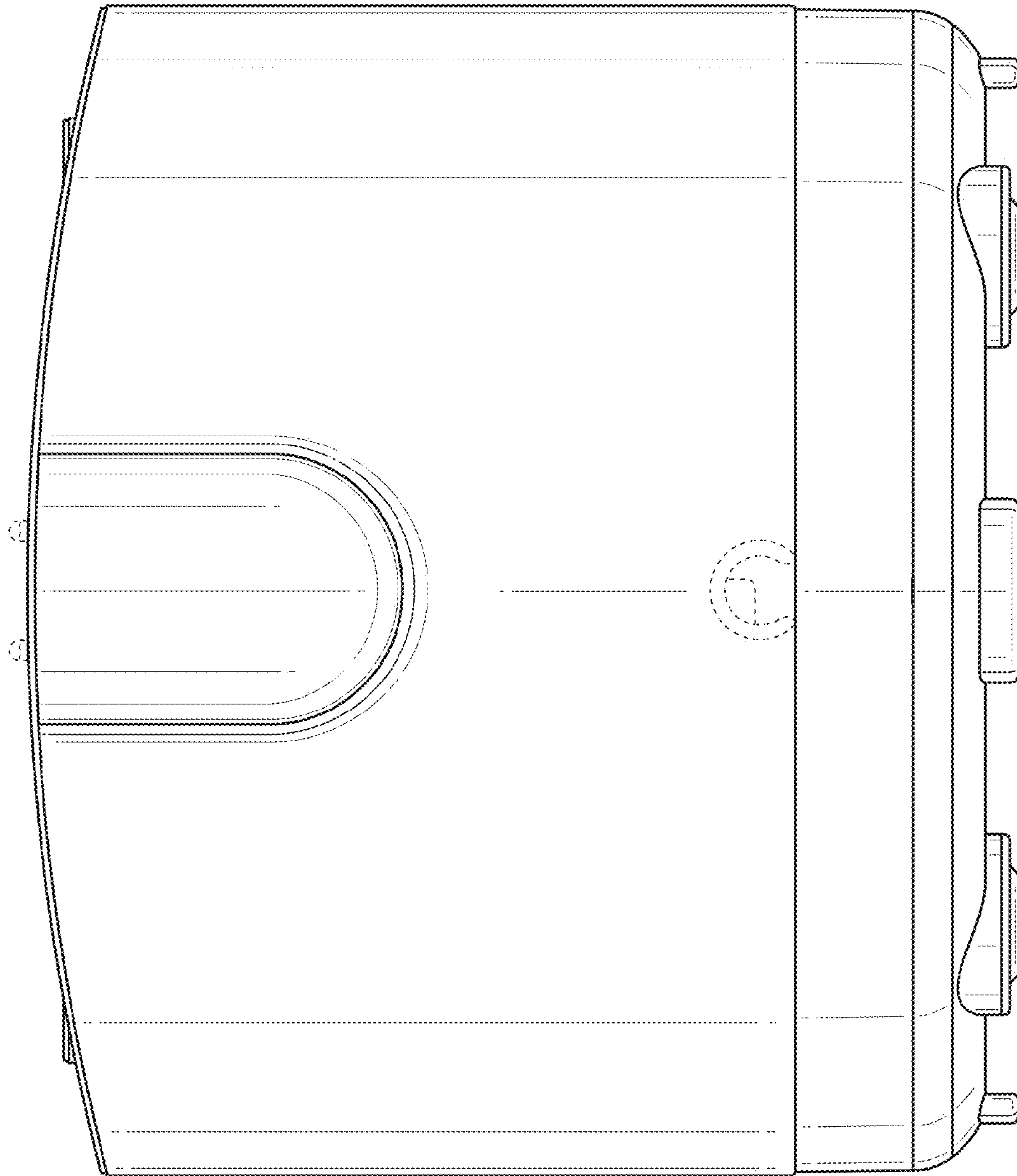


FIG. 17

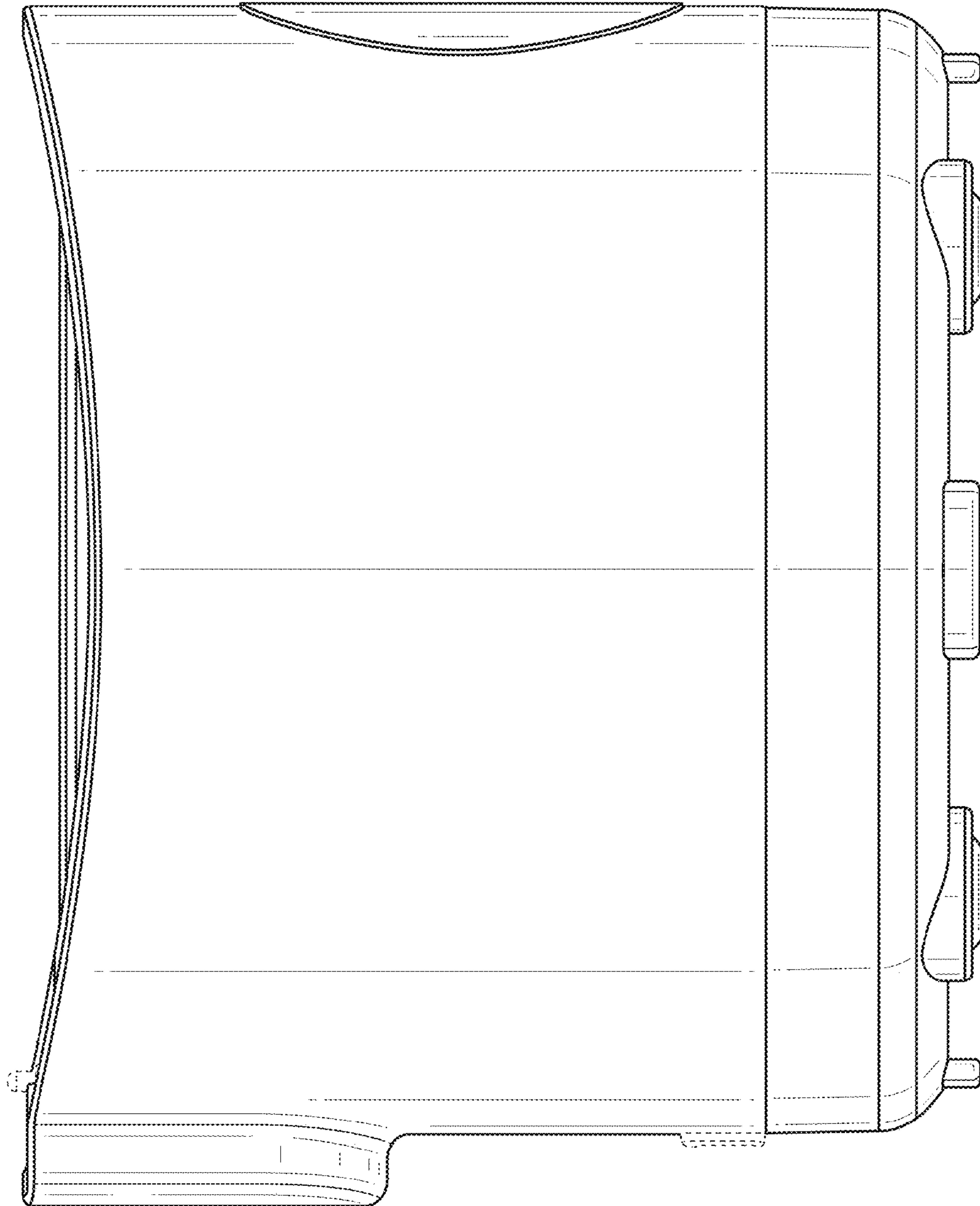


FIG. 18

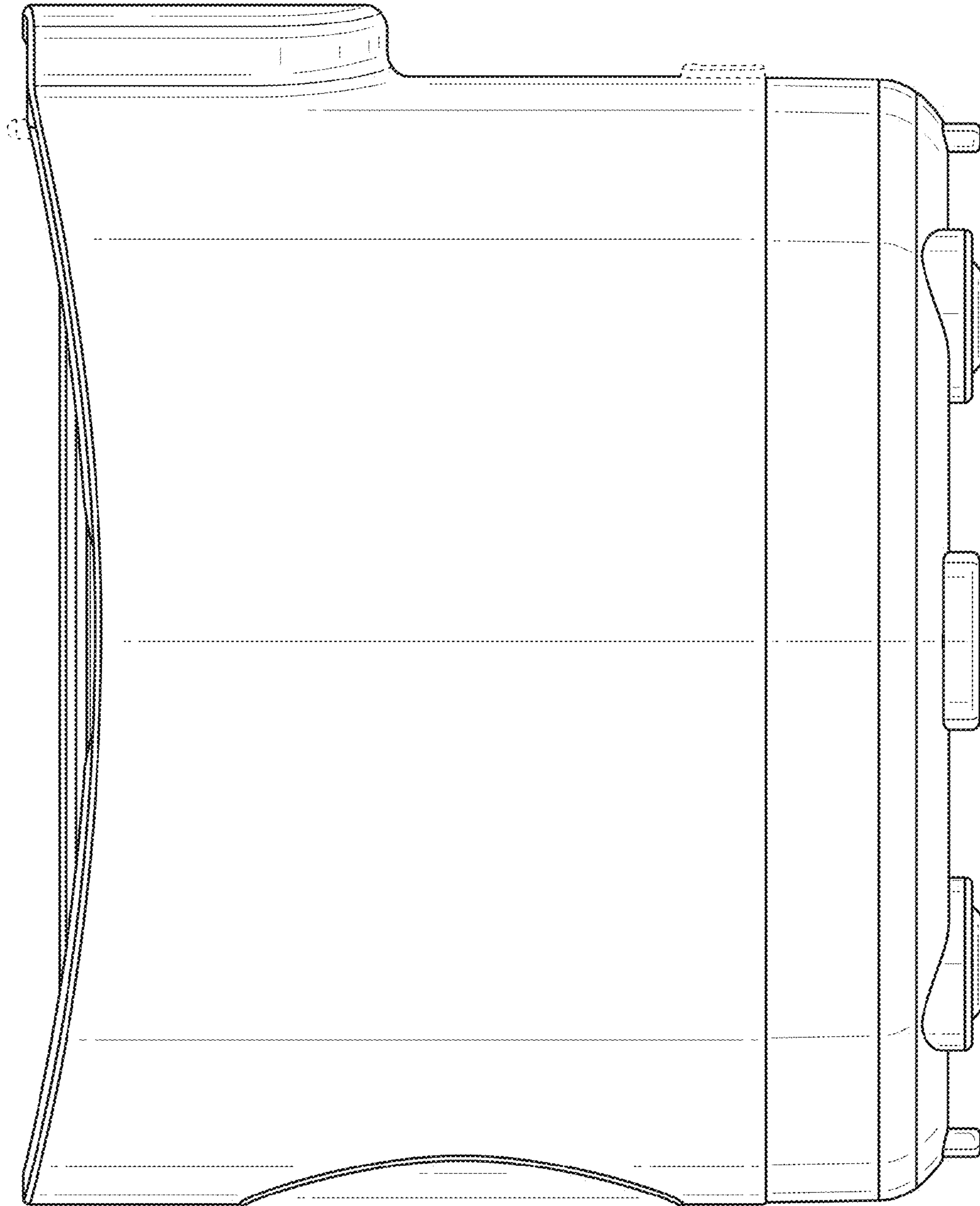


FIG. 19

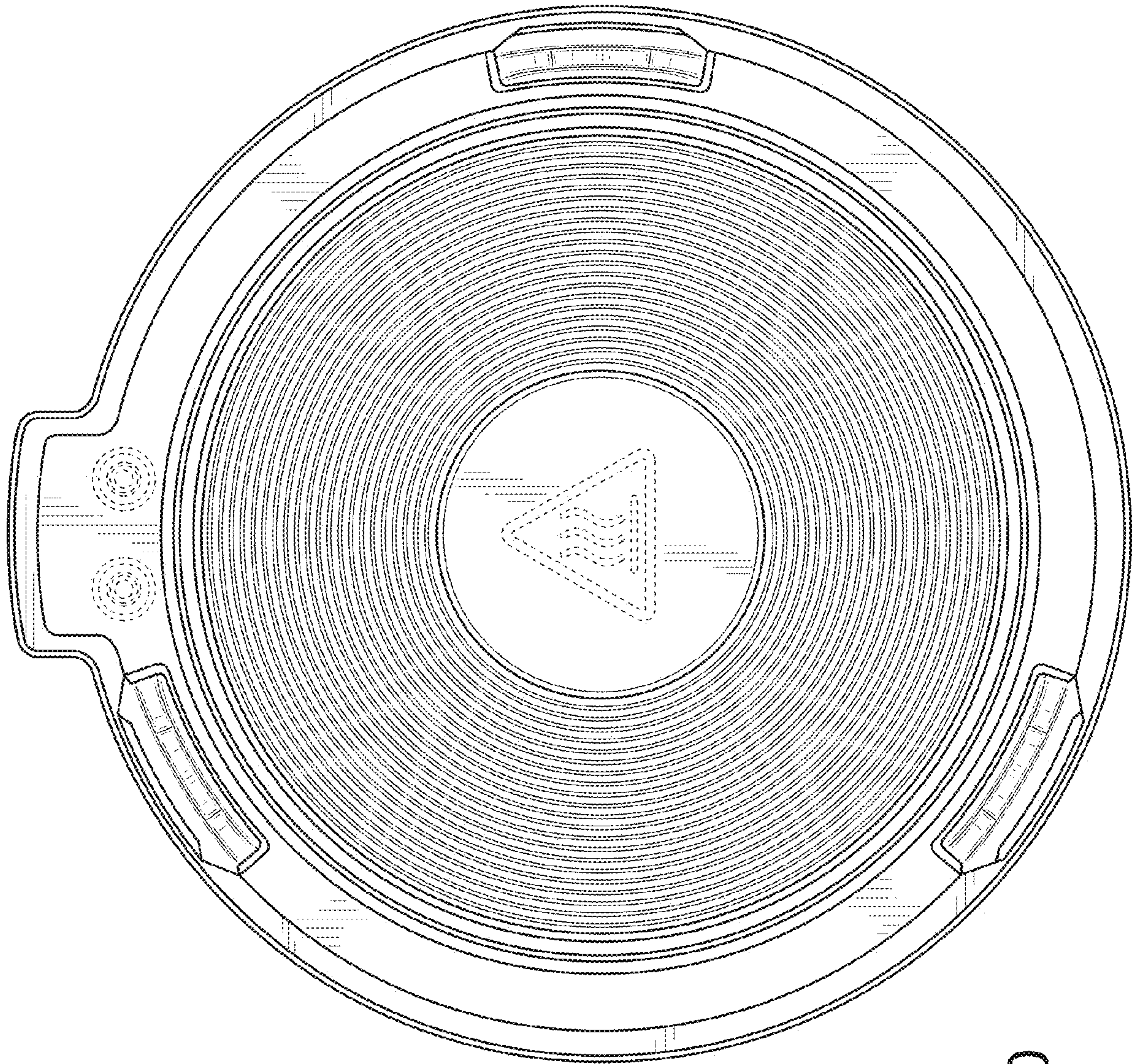


FIG. 20

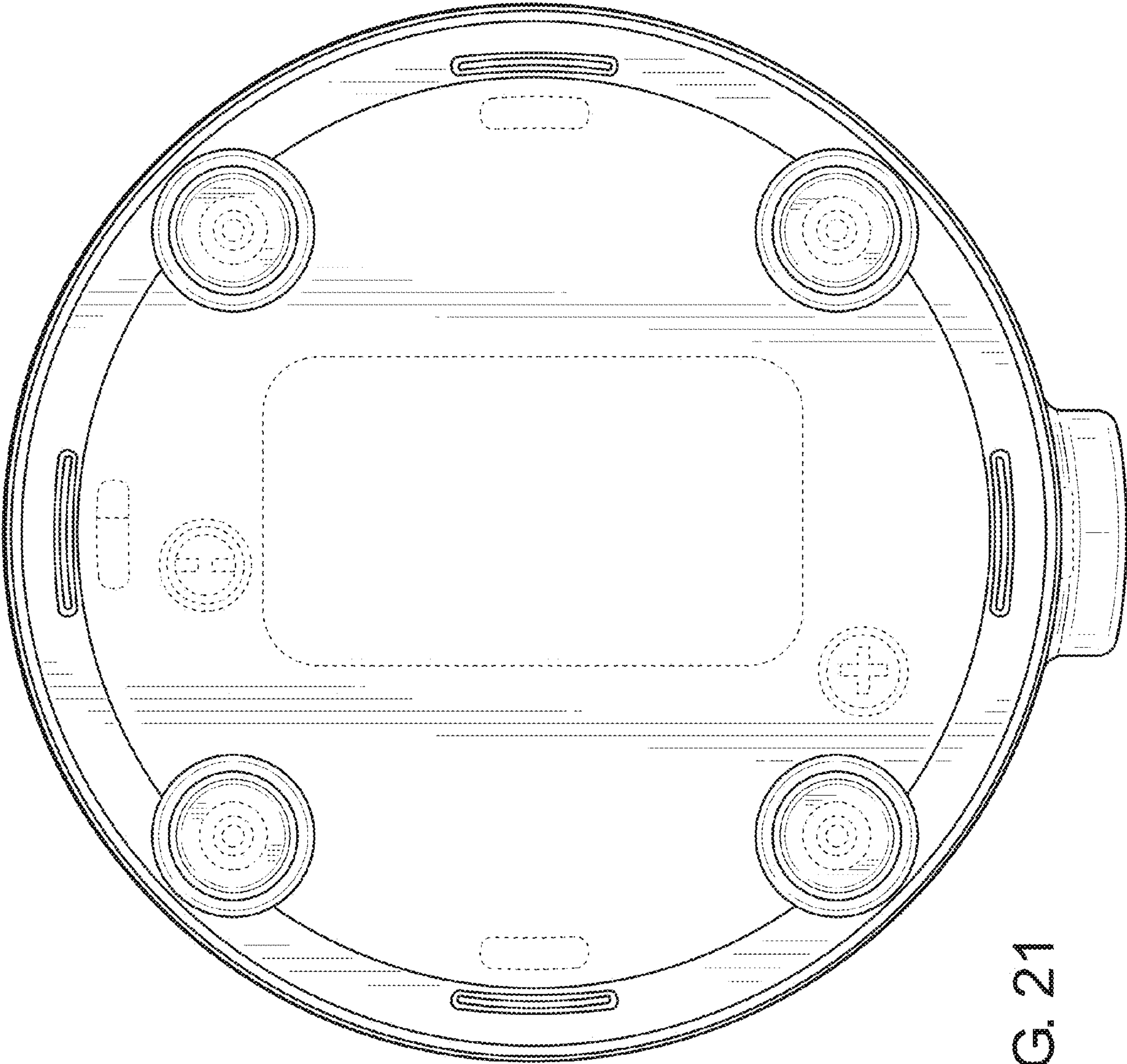


FIG. 21