



US00D895346S

(12) **United States Design Patent** (10) **Patent No.:** **US D895,346 S**
Chang (45) **Date of Patent:** **** Sep. 8, 2020**

(54) **GRILL**
(71) Applicant: **Tsann Kuen (Zhangzhou) Enterprise Co., Ltd., Zhangzhou (CN)**
(72) Inventor: **Wenyu Chang, Zhangzhou (CN)**
(73) Assignee: **Tsann Kuen (Zhangzhou) Enterprise Co., Ltd., Zhangzhou (CN)**
(**) Term: **15 Years**
(21) Appl. No.: **29/653,205**
(22) Filed: **Jun. 13, 2018**

D728,990 S * 5/2015 Torre D7/352
D756,158 S * 5/2016 Krawiec D7/332
D839,660 S * 2/2019 Chang D7/378
D859,057 S * 9/2019 Chang D7/352
10,413,120 B2 * 9/2019 Zhan A47J 37/0611
2017/0049268 A1 * 2/2017 Zhan A47J 37/0611
2017/0224156 A1 * 8/2017 Chang A47J 37/0611

FOREIGN PATENT DOCUMENTS

CA 2289425 A1 * 5/2000 A47J 37/0611
DE 3304170 A1 * 8/1984 A47J 37/0611
GB 1162640 A * 8/1969 A47J 37/0611

OTHER PUBLICATIONS

Chefman, 2017 IHA Global Innovation Award—Chefman Perfect Pour Volcano Waffle Maker, Apr. 21, 2017, Youtube, <https://www.youtube.com/watch?v=1599KJWs4Mo> (Year: 2017).*

* cited by examiner

Primary Examiner — Brett Miller
(74) *Attorney, Agent, or Firm* — Burriss Law, PLLC

(57) **CLAIM**

The ornamental design for a grill, as shown and described.

DESCRIPTION

FIG. 1 is a perspective view of a grill showing my new design;
FIG. 2 is another perspective view thereof;
FIG. 3 is still another perspective view thereof;
FIG. 4 is a front elevational view thereof;
FIG. 5 is a rear elevational view thereof;
FIG. 6 is a left side elevational view thereof;
FIG. 7 is a right side elevational view thereof;
FIG. 8 is a top plan view thereof; and,
FIG. 9 is a bottom plan view thereof.
The broken lines depict portions of a grill in which the design is embodied that form no part of the claimed design.

1 Claim, 7 Drawing Sheets

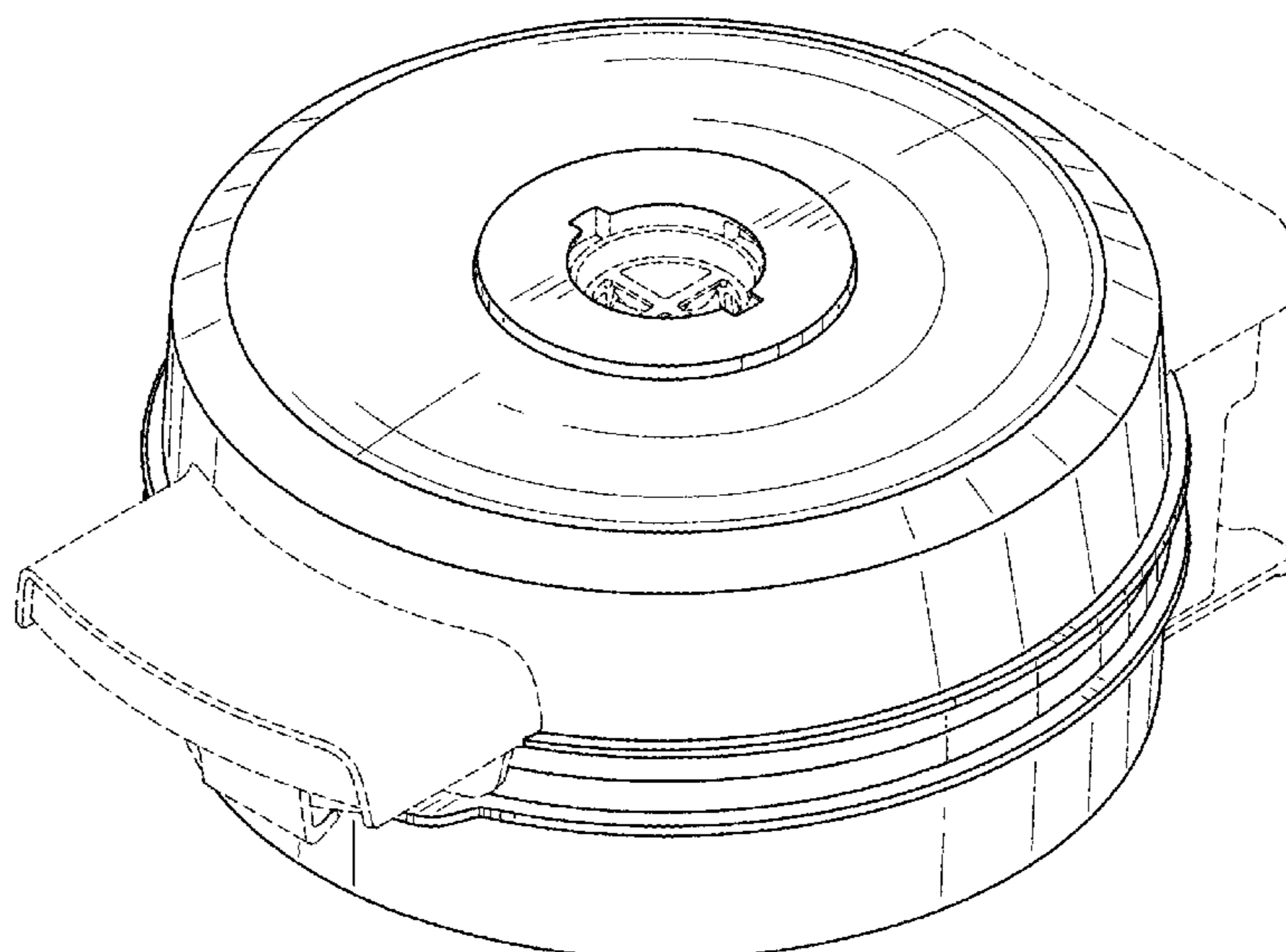
Related U.S. Application Data

(60) Division of application No. 29/607,240, filed on Jun. 12, 2017, now Pat. No. Des. 859,057, which is a continuation-in-part of application No. 29/591,965, filed on Jan. 25, 2017, now Pat. No. Des. 839,660.
(51) **LOC (12) Cl.** **07-02**
(52) **U.S. Cl.**
USPC **D7/352**
(58) **Field of Classification Search**
USPC D7/323, 327, 332, 334, 337, 346,
D7/352–353, 362–367, 402, 407–411
CPC A47J 37/0611; A47J 2037/0617
See application file for complete search history.

(56) **References Cited**

U.S. PATENT DOCUMENTS

D231,069 S * 4/1974 Boldt D7/352
D299,609 S * 1/1989 Madl D7/352
D523,284 S * 6/2006 Lam D7/352
D543,410 S * 5/2007 Cohen A47J 37/0611
D657,990 S * 4/2012 Kim D7/352
D669,301 S * 10/2012 Lavy D7/352
D706,569 S * 6/2014 Fung D7/352
D707,075 S * 6/2014 Fung D7/352



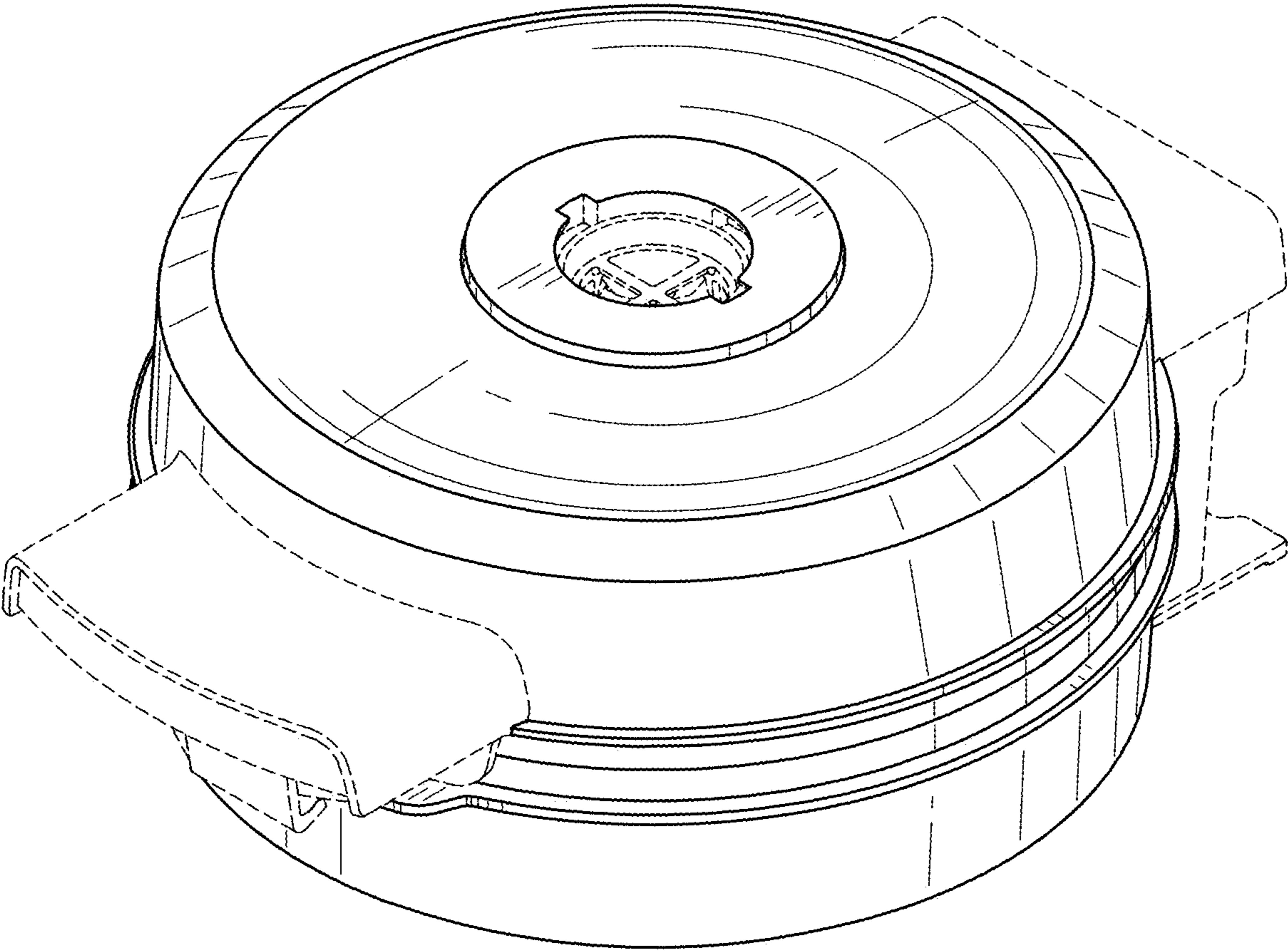


FIG.1

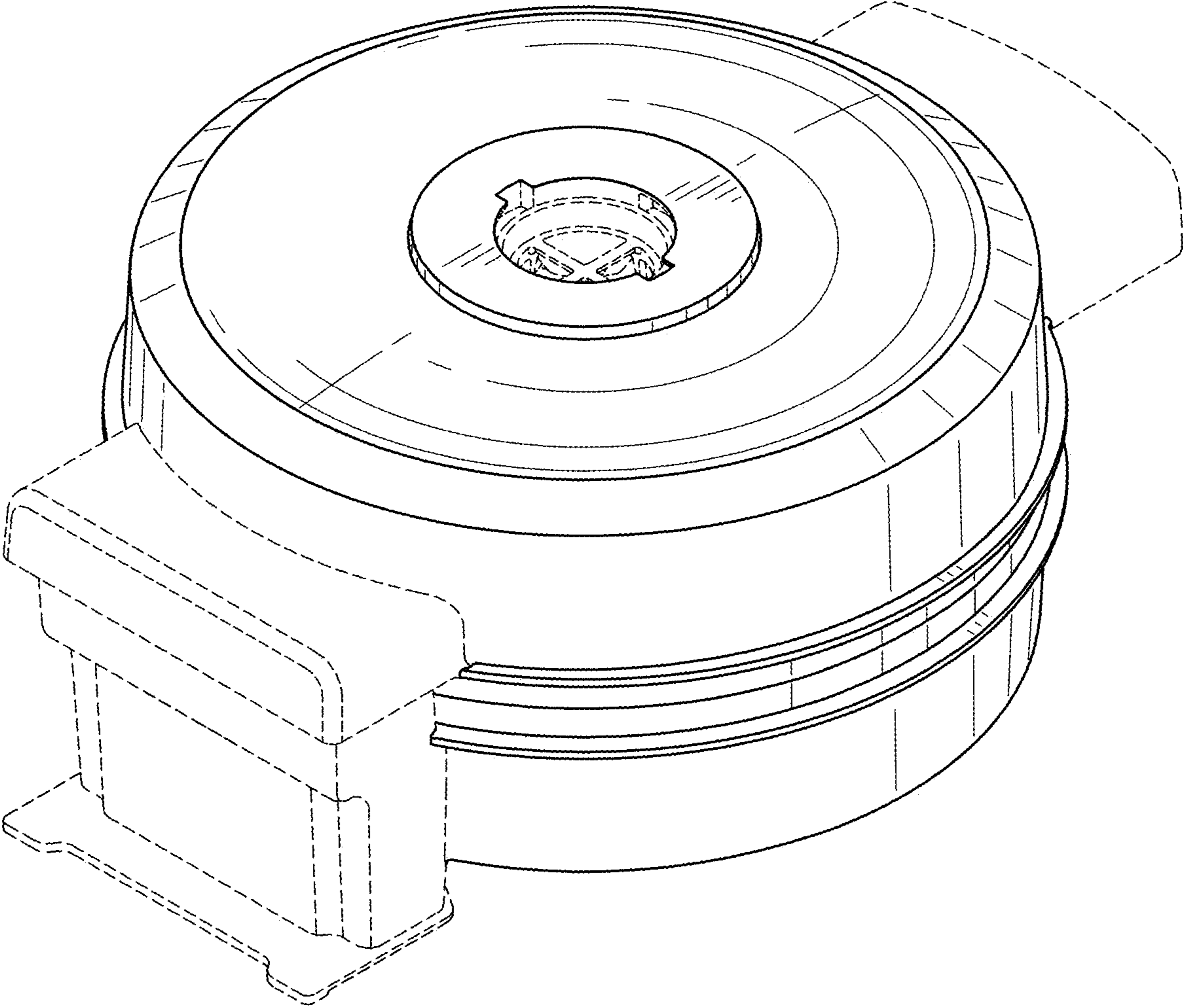


FIG.2

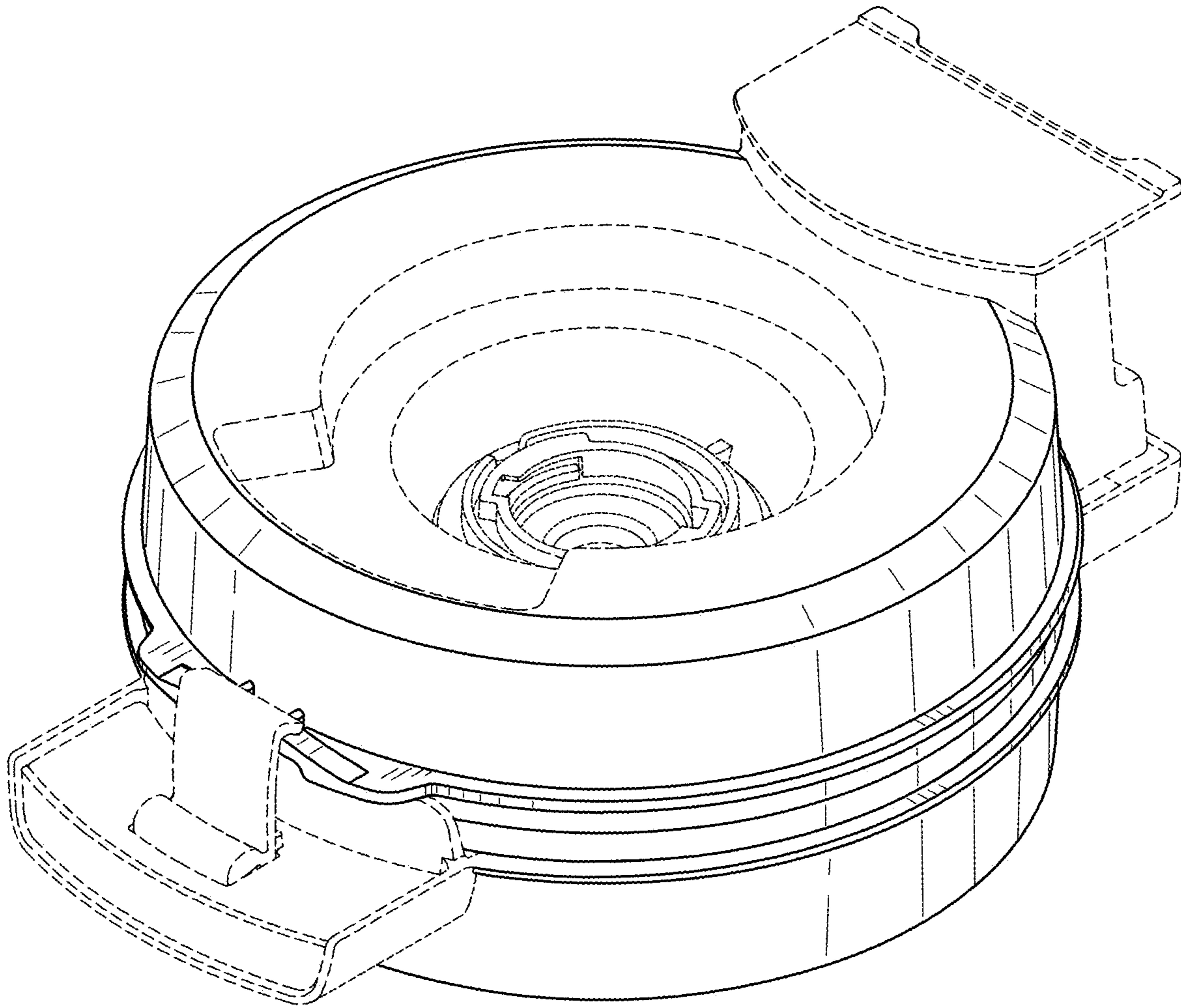


FIG.3

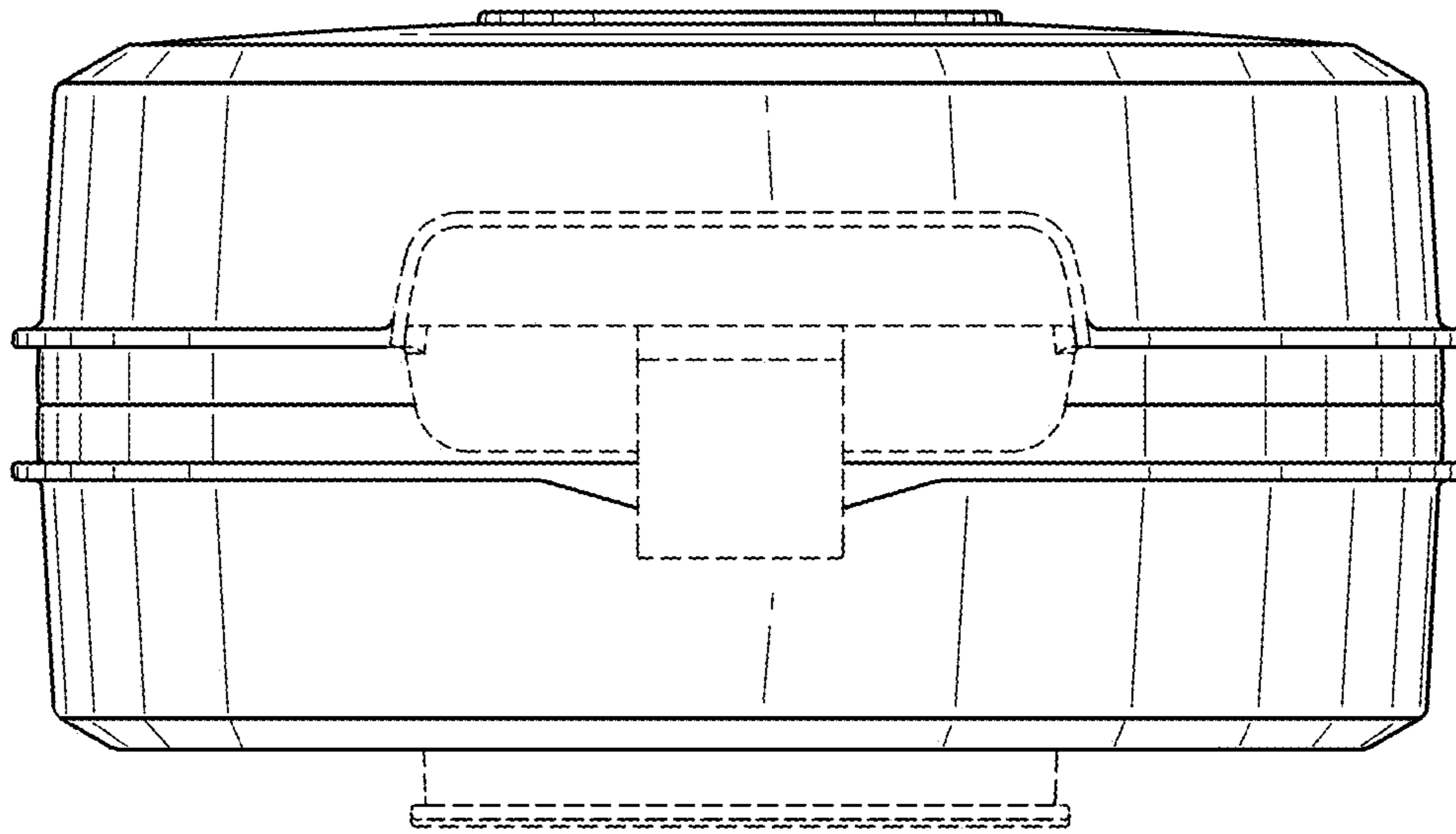


FIG. 4

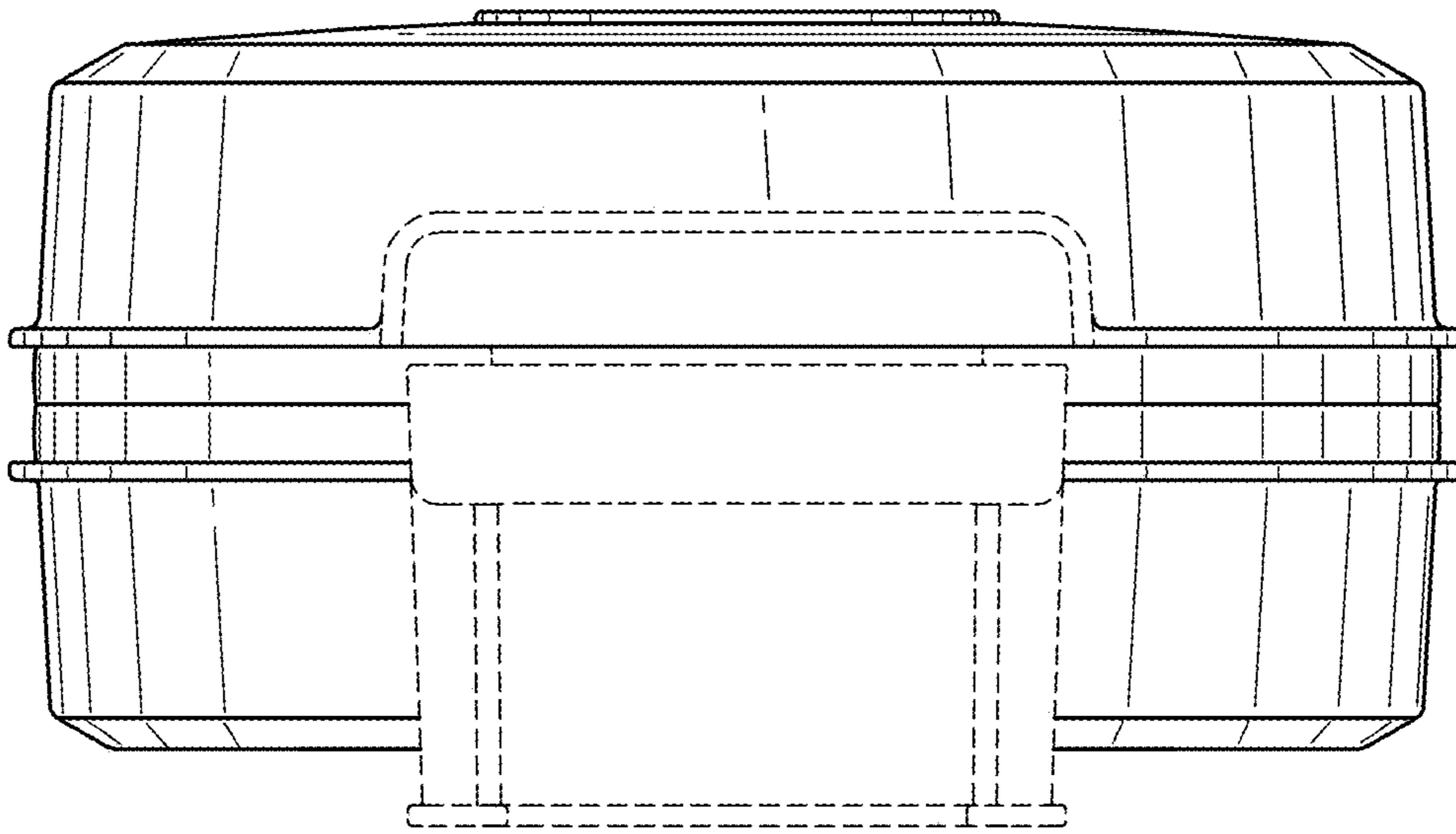


FIG. 5

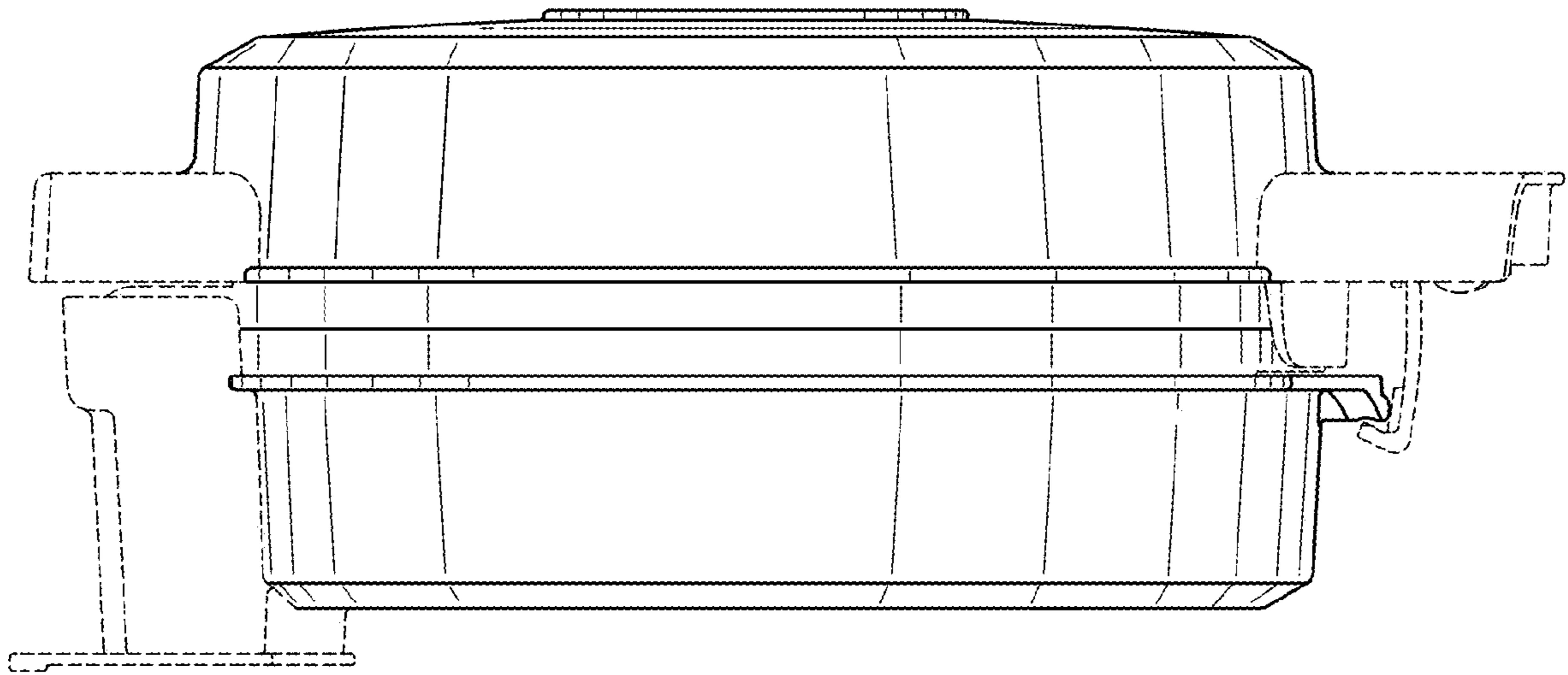


FIG. 6

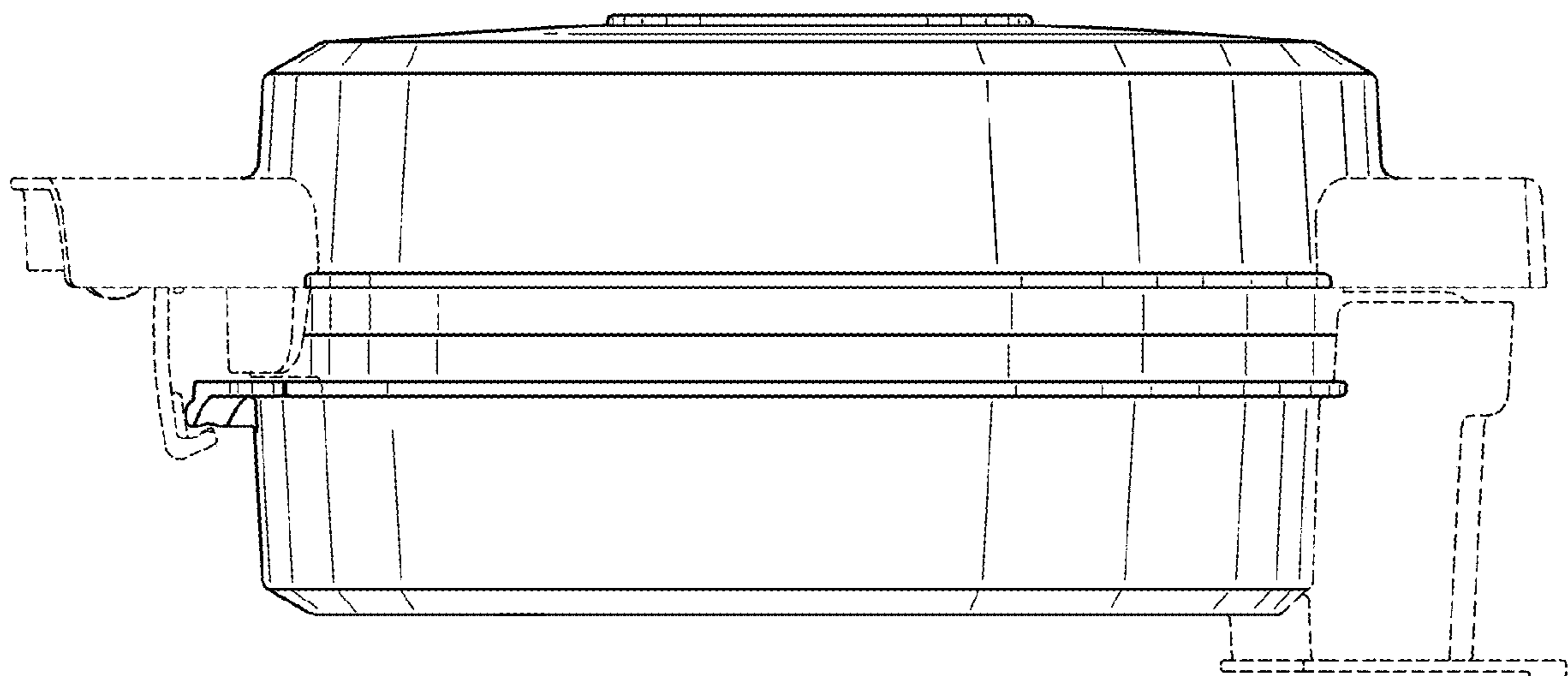


FIG. 7

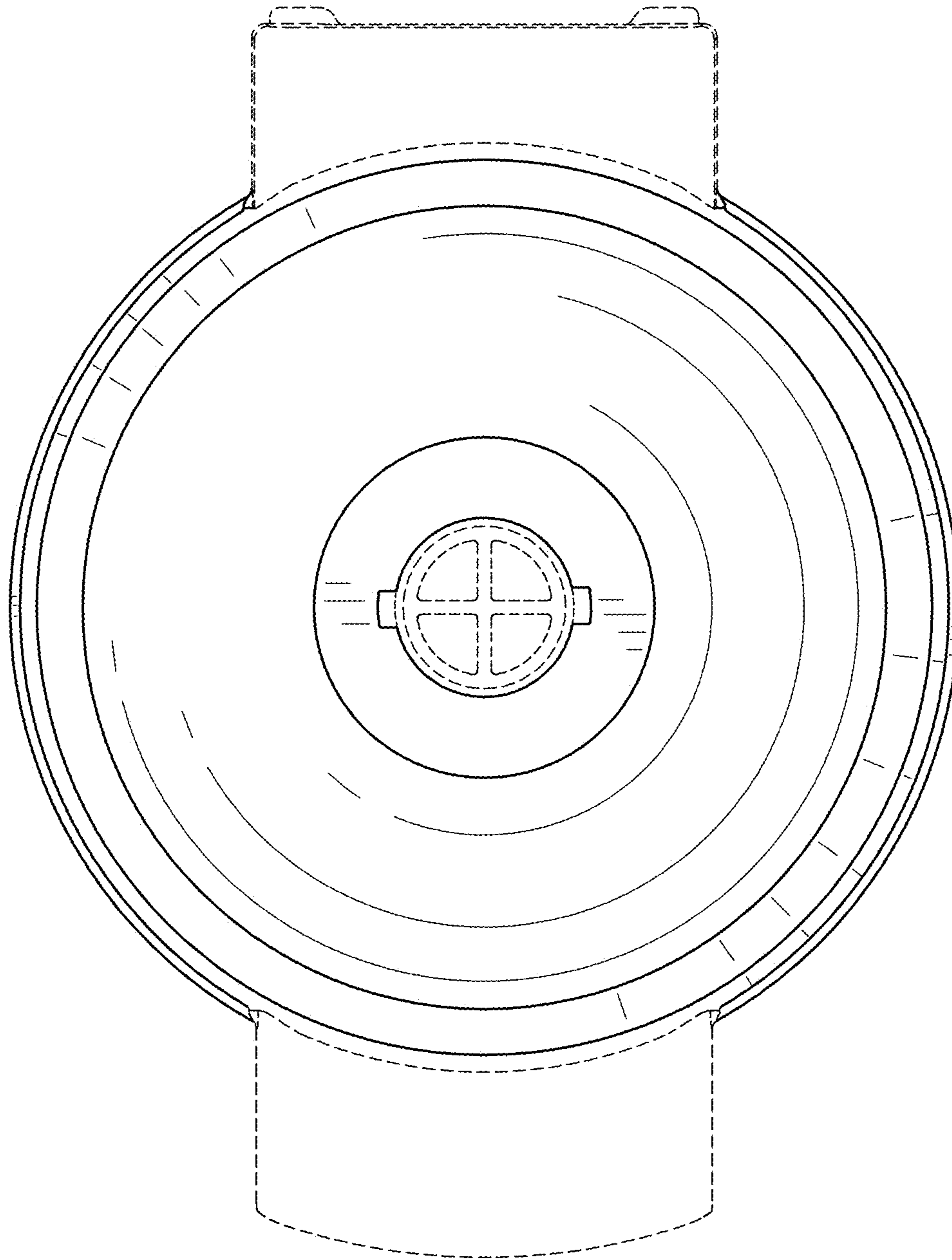


FIG.8

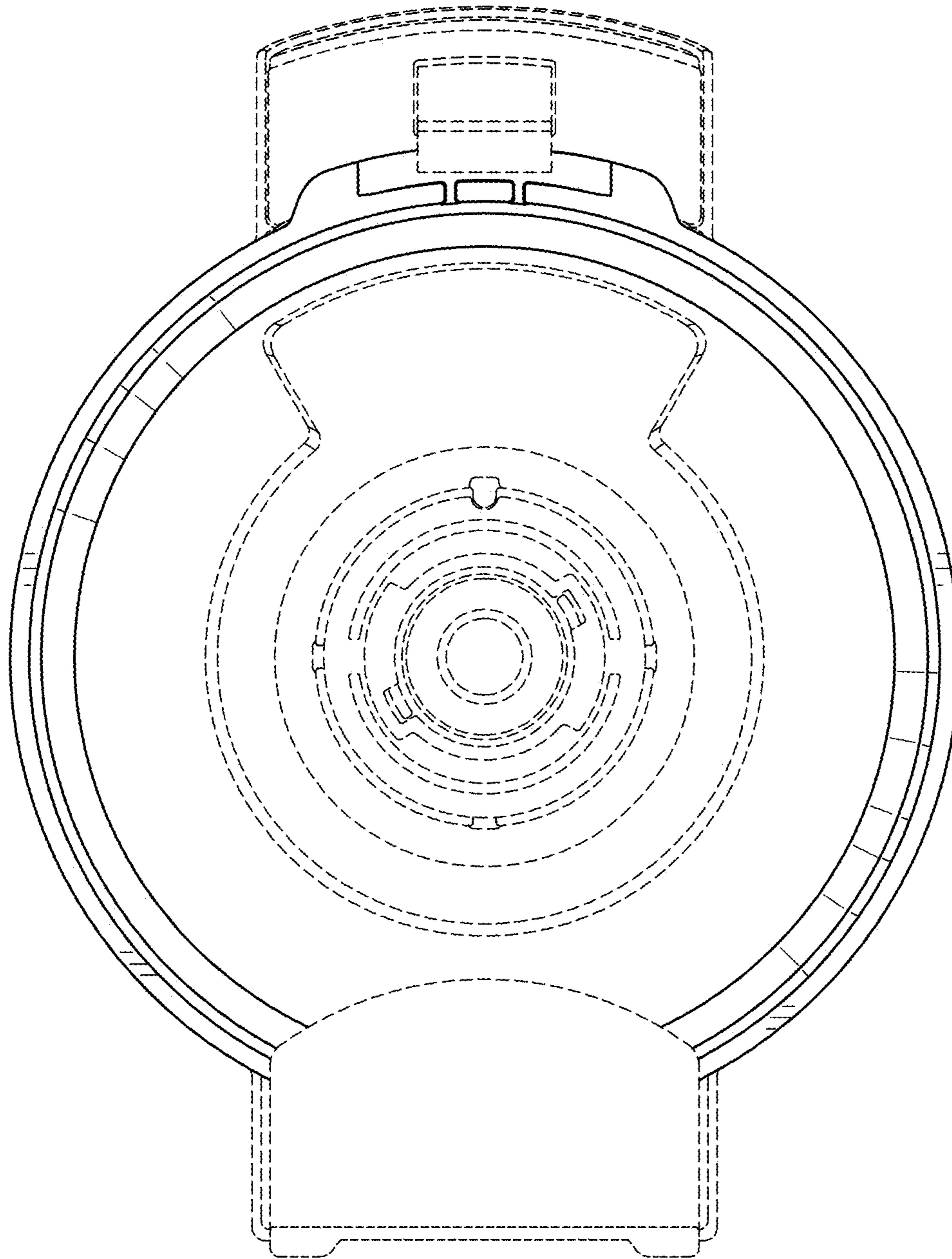


FIG. 9