



US00D895345S

(12) **United States Design Patent**  
**Leng**

(10) **Patent No.:** **US D895,345 S**

(45) **Date of Patent:** **\*\* Sep. 8, 2020**

(54) **FOLDING TABLE**

(71) Applicant: **NEW-TEC INTEGRATION**  
**(XIAMEN) CO., LTD.**, Xiamen (CN)

(72) Inventor: **Luhao Leng**, Xiamen (CN)

(73) Assignee: **NEW-TEC INTEGRATION**  
**(XIAMEN) CO., LTD.**, Xiamen (CN)

(\*\*) Term: **15 Years**

(21) Appl. No.: **29/662,597**

(22) Filed: **Sep. 6, 2018**

(30) **Foreign Application Priority Data**

Mar. 7, 2018 (CN) ..... 2018 3 0085132

(51) **LOC (12) Cl.** ..... **06-03**

(52) **U.S. Cl.**  
USPC ..... **D7/337**; D6/368

(58) **Field of Classification Search**  
USPC ..... D6/334, 335, 336, 337, 338, 349, 355,  
D6/367, 368, 370

CPC ..... A47B 3/002; A47B 3/14; A47B 2003/145;  
A47B 83/02; A47B 83/0241

See application file for complete search history.

(56) **References Cited**

**U.S. PATENT DOCUMENTS**

- 2,722,971 A \* 11/1955 Gallagher ..... A47B 3/14  
297/158.5
- 2,746,525 A \* 5/1956 Cooper ..... A47B 3/14  
297/158.5
- 4,047,754 A \* 9/1977 Cathey ..... A47B 83/02  
297/158.3
- D298,494 S \* 11/1988 Mockett ..... D13/152
- 4,883,314 A \* 11/1989 Sakong ..... A47B 3/14  
297/158.4

- D313,128 S \* 12/1990 Serafini ..... D6/338
- 5,921,623 A \* 7/1999 Nye ..... A47B 3/14  
108/132
- D463,919 S \* 10/2002 Lee ..... D6/337
- 6,644,734 B1 \* 11/2003 Tseng ..... A47B 3/14  
297/158.4
- D496,799 S \* 10/2004 Thomas ..... D6/337
- D497,262 S \* 10/2004 Thomas ..... D6/337
- 6,817,662 B2 \* 11/2004 Winter ..... A47B 83/02  
297/158.3
- 6,883,864 B2 \* 4/2005 Gregory ..... A47B 3/14  
297/158.4
- 6,918,630 B1 \* 7/2005 Thomas ..... A47B 83/02  
297/158.3
- 7,735,915 B2 \* 6/2010 Nye ..... A47B 37/04  
108/132

(Continued)

*Primary Examiner* — Cathron C Brooks

(74) *Attorney, Agent, or Firm* — Cooper Legal Group,  
LLC

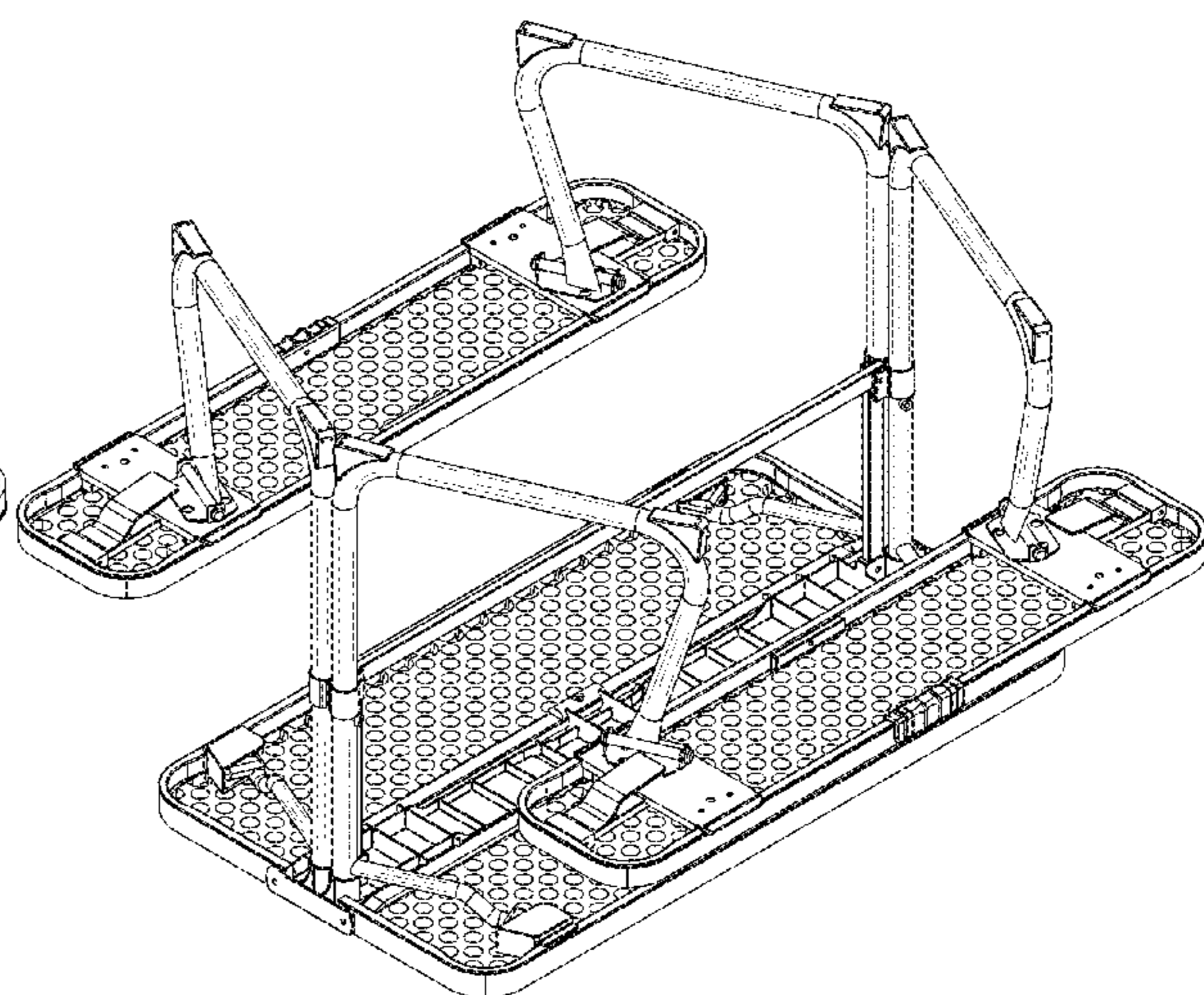
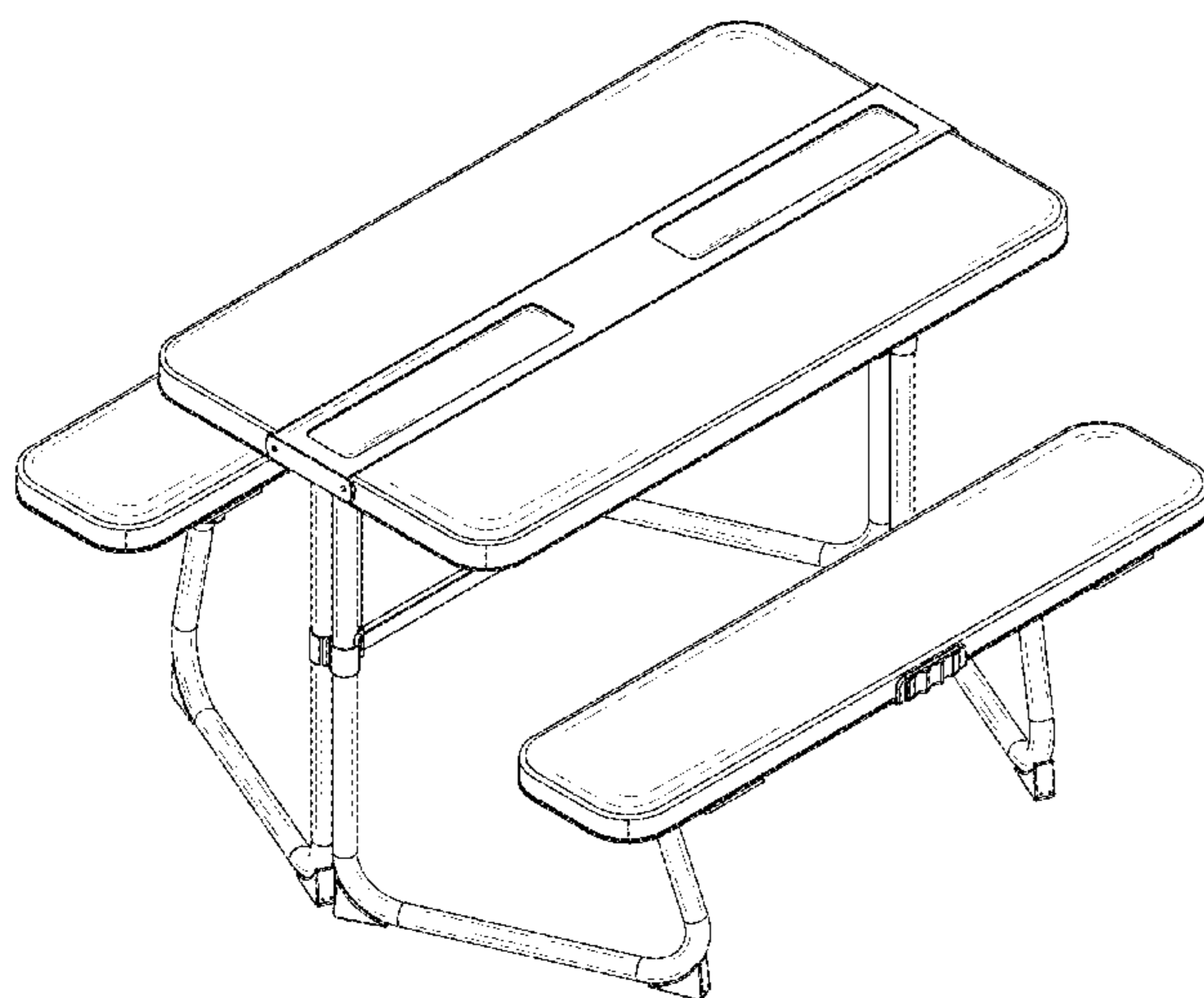
(57) **CLAIM**

The ornamental design for a folding table, as shown.

**DESCRIPTION**

FIG. 1. is a side view of a folding table showing my new design, the opposite side being a mirror image thereof;  
 FIG. 2. is a front view, the rear side being a mirror image thereof;  
 FIG. 3. is a top plan view thereof;  
 FIG. 4. is a perspective view thereof;  
 FIG. 5. is another perspective view thereof;  
 FIG. 6. is a side view of a second embodiment of my new design, the opposite side being a mirror image thereof;  
 FIG. 7. is a front view, the rear side being a mirror image thereof;  
 FIG. 8. is a top plan view thereof;  
 FIG. 9. is a perspective view thereof; and,  
 FIG. 10. is another perspective view thereof.

**1 Claim, 10 Drawing Sheets**



(56)

**References Cited**

U.S. PATENT DOCUMENTS

7,975,625 B2 \* 7/2011 Topham ..... A47B 3/0803  
108/115  
D799,253 S \* 10/2017 McGrath ..... D6/707  
D845,011 S \* 4/2019 Wang ..... D6/337  
2004/0070235 A1 \* 4/2004 Gregory ..... A47B 3/14  
297/158.4  
2006/0005748 A1 \* 1/2006 Christians ..... A47B 1/08  
108/115  
2006/0181114 A1 \* 8/2006 Nye ..... A47B 3/14  
297/158.3  
2018/0310703 A1 \* 11/2018 Miller ..... A47B 3/002

\* cited by examiner

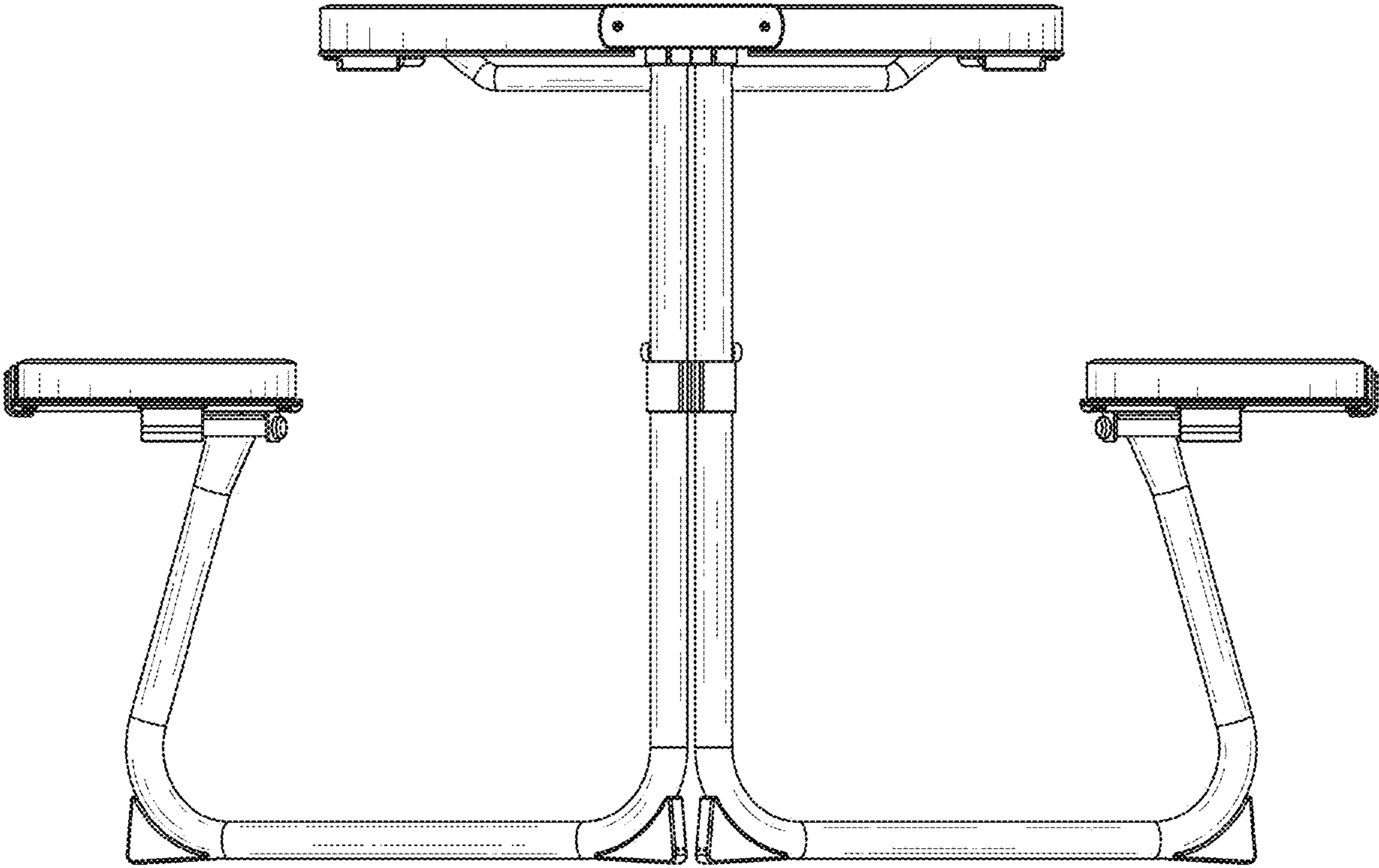


Fig. 1

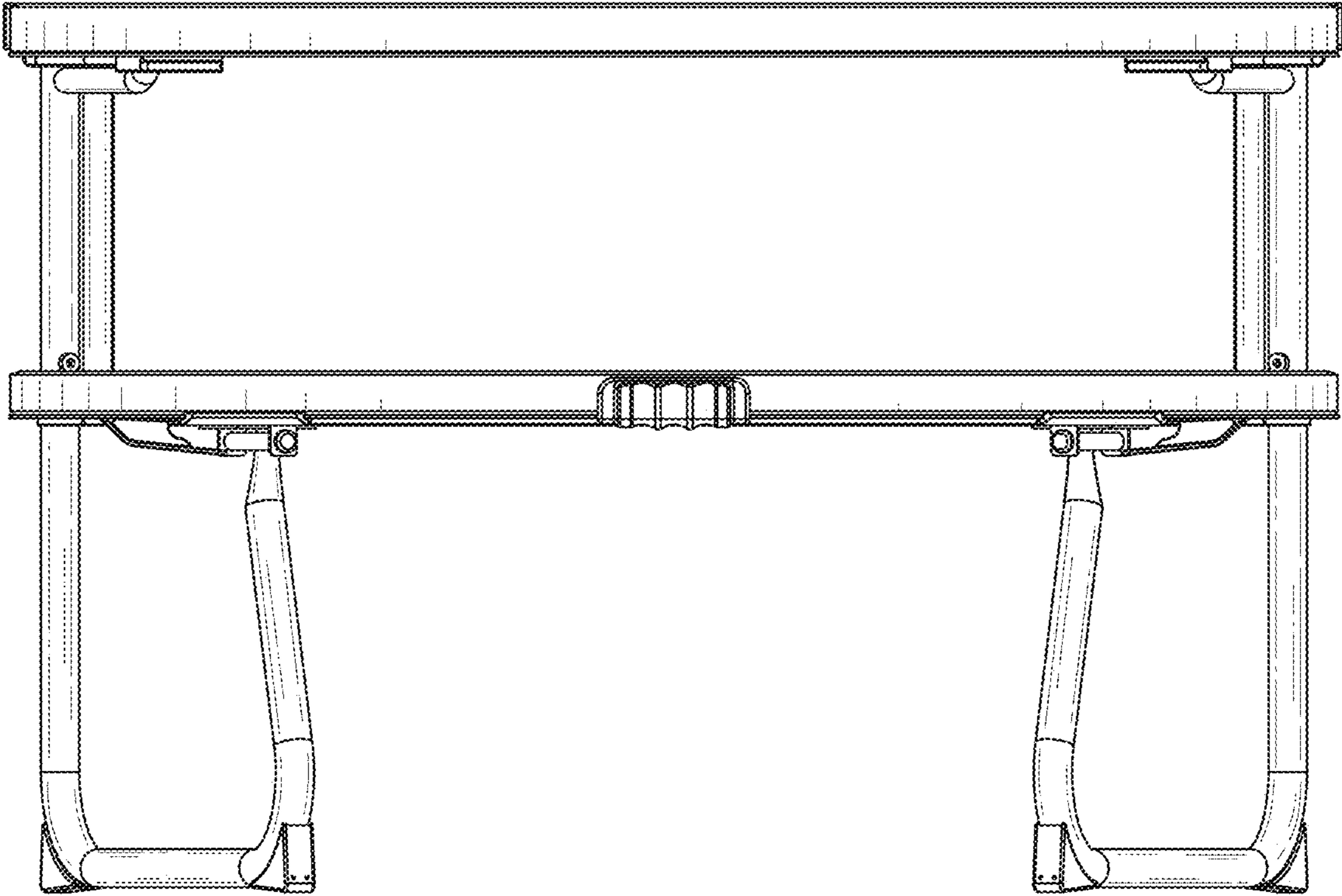


Fig. 2

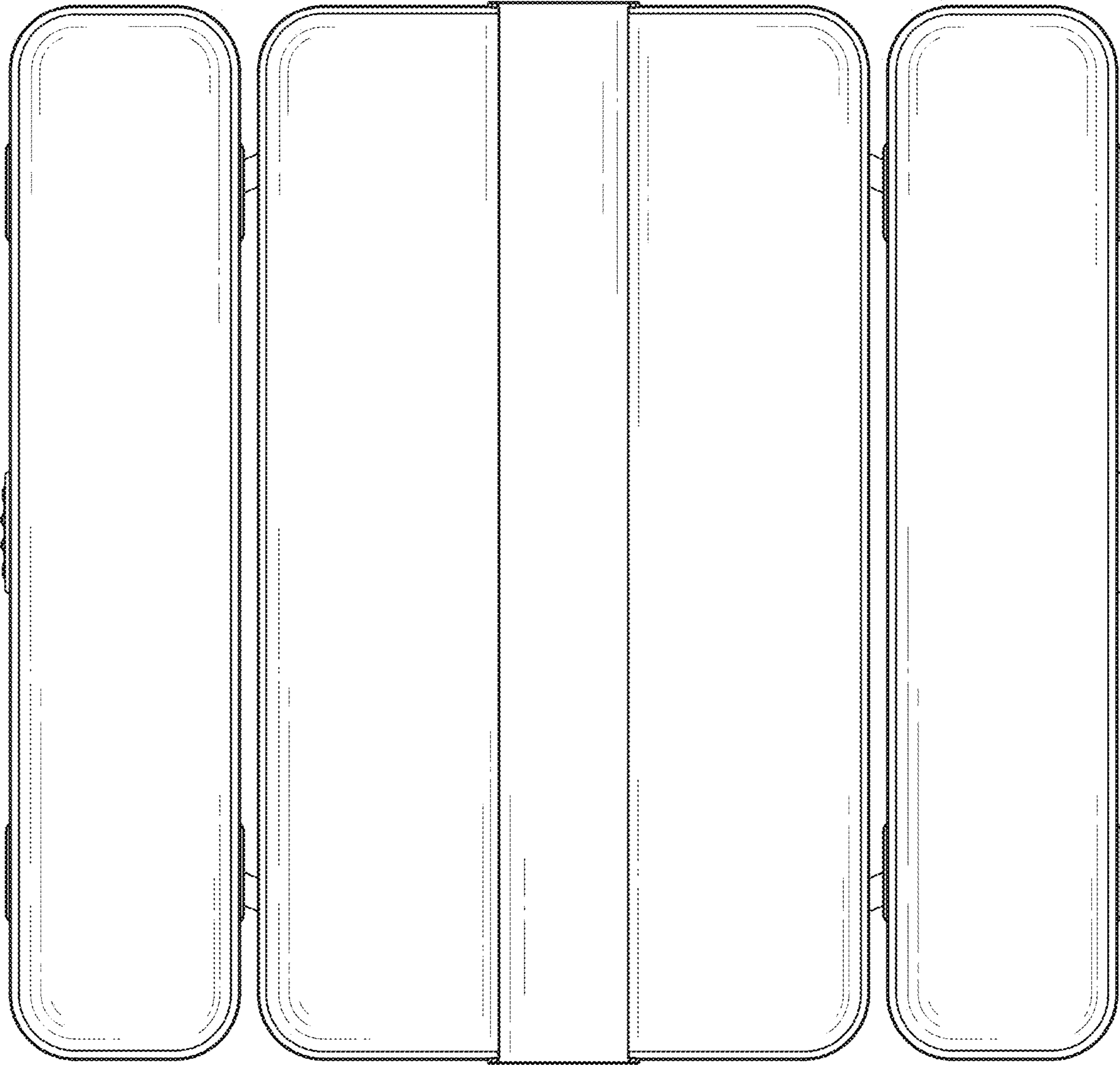


Fig. 3

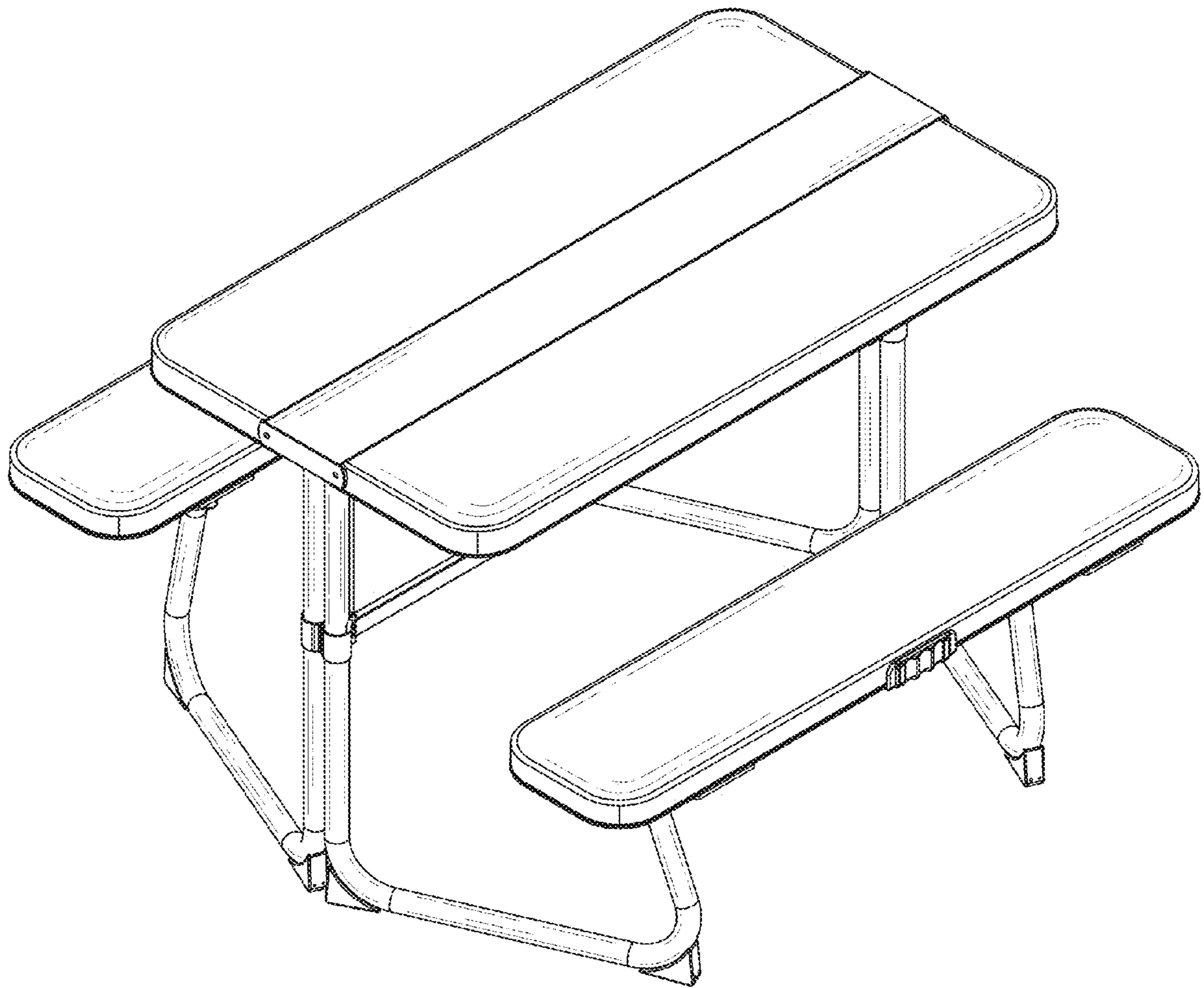


Fig. 4

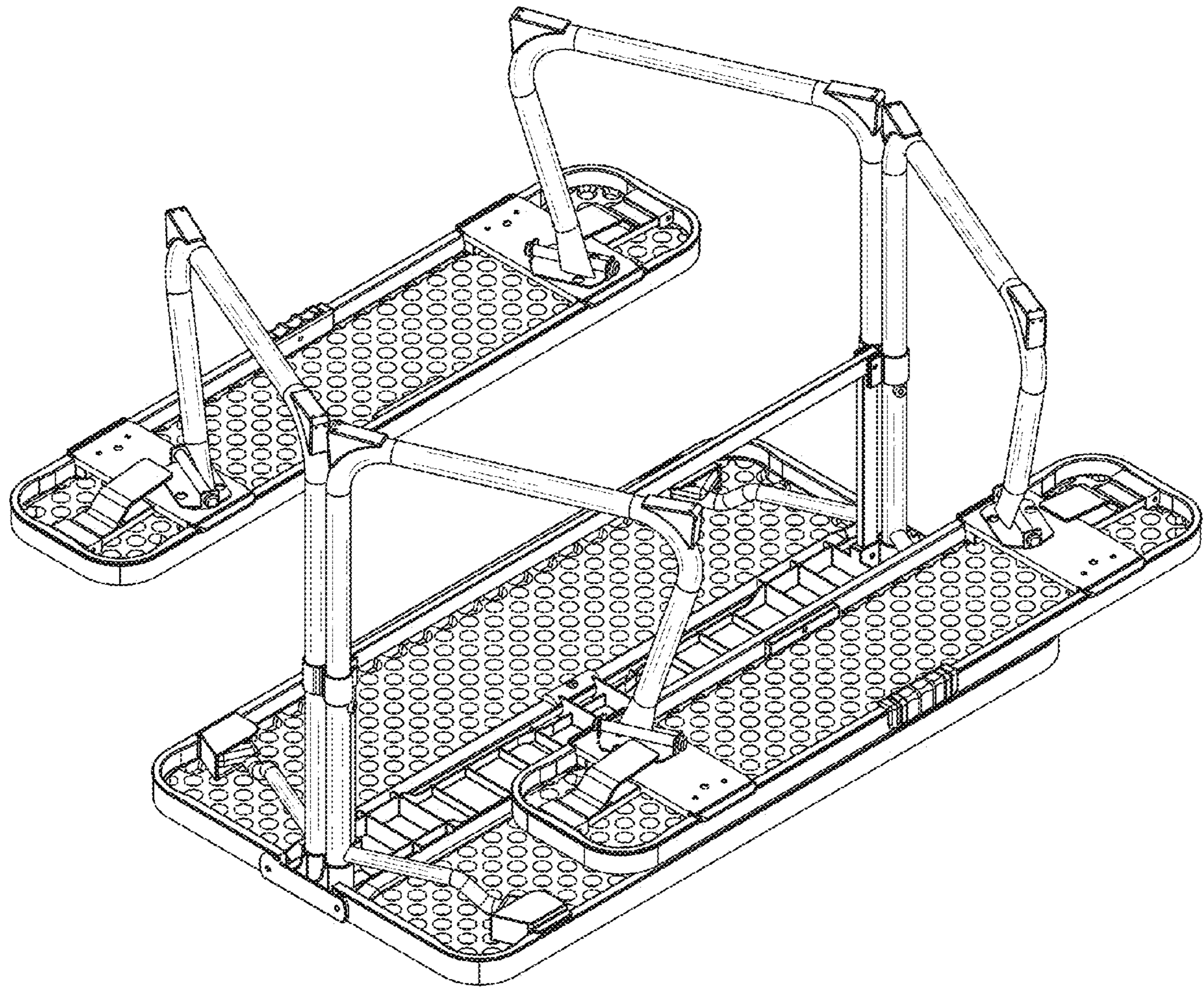


Fig. 5

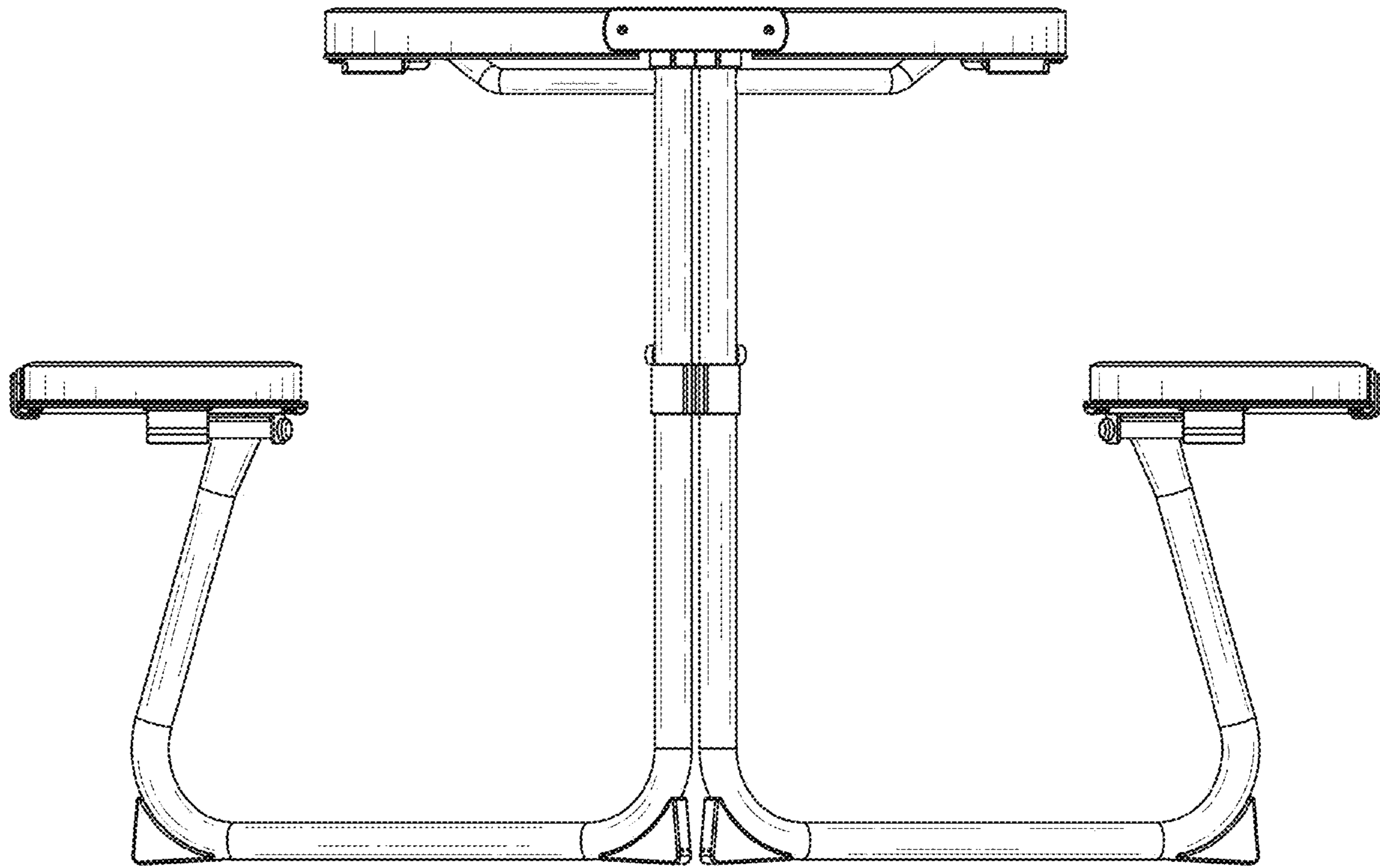


Fig. 6



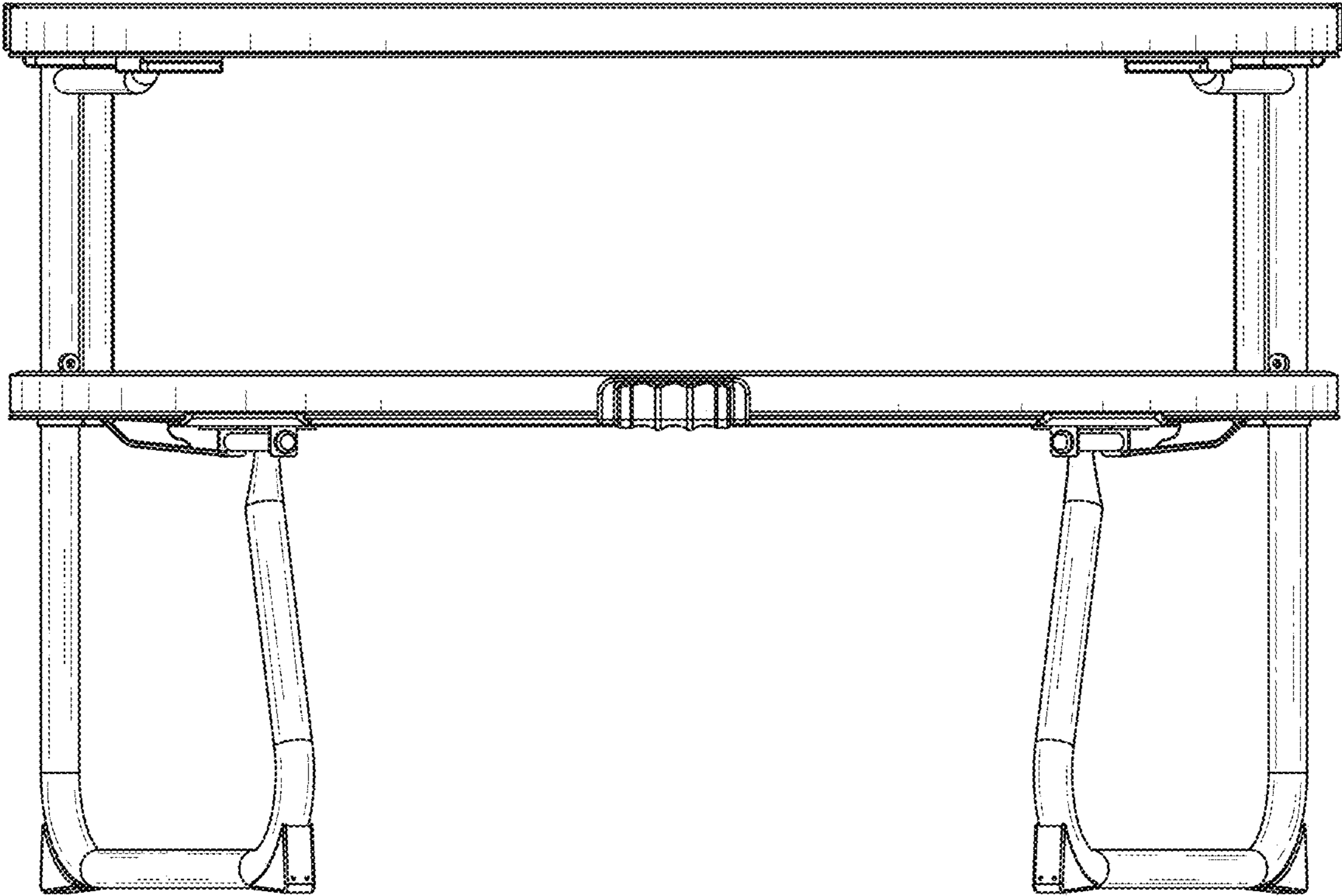


Fig. 7

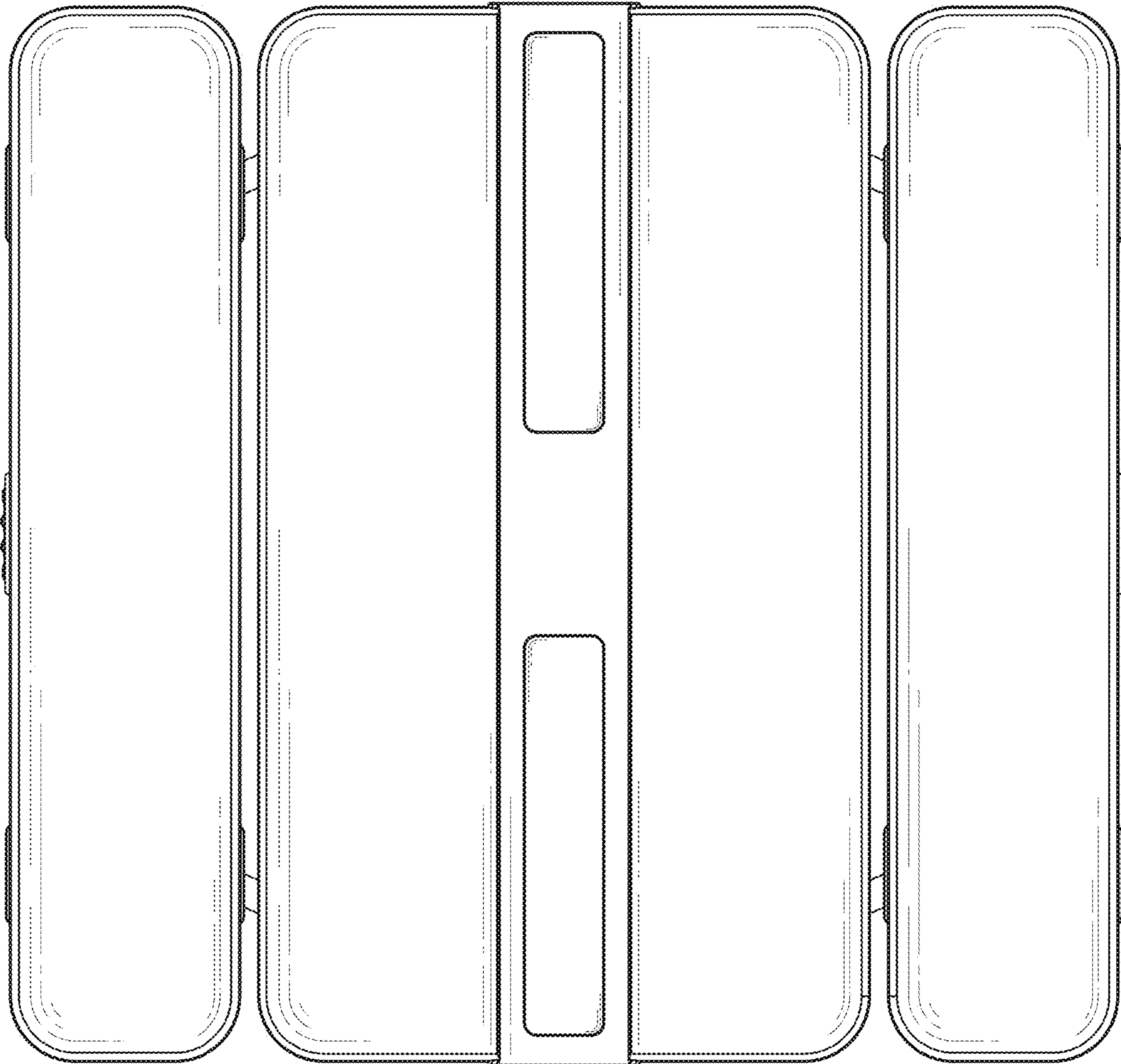


Fig. 8

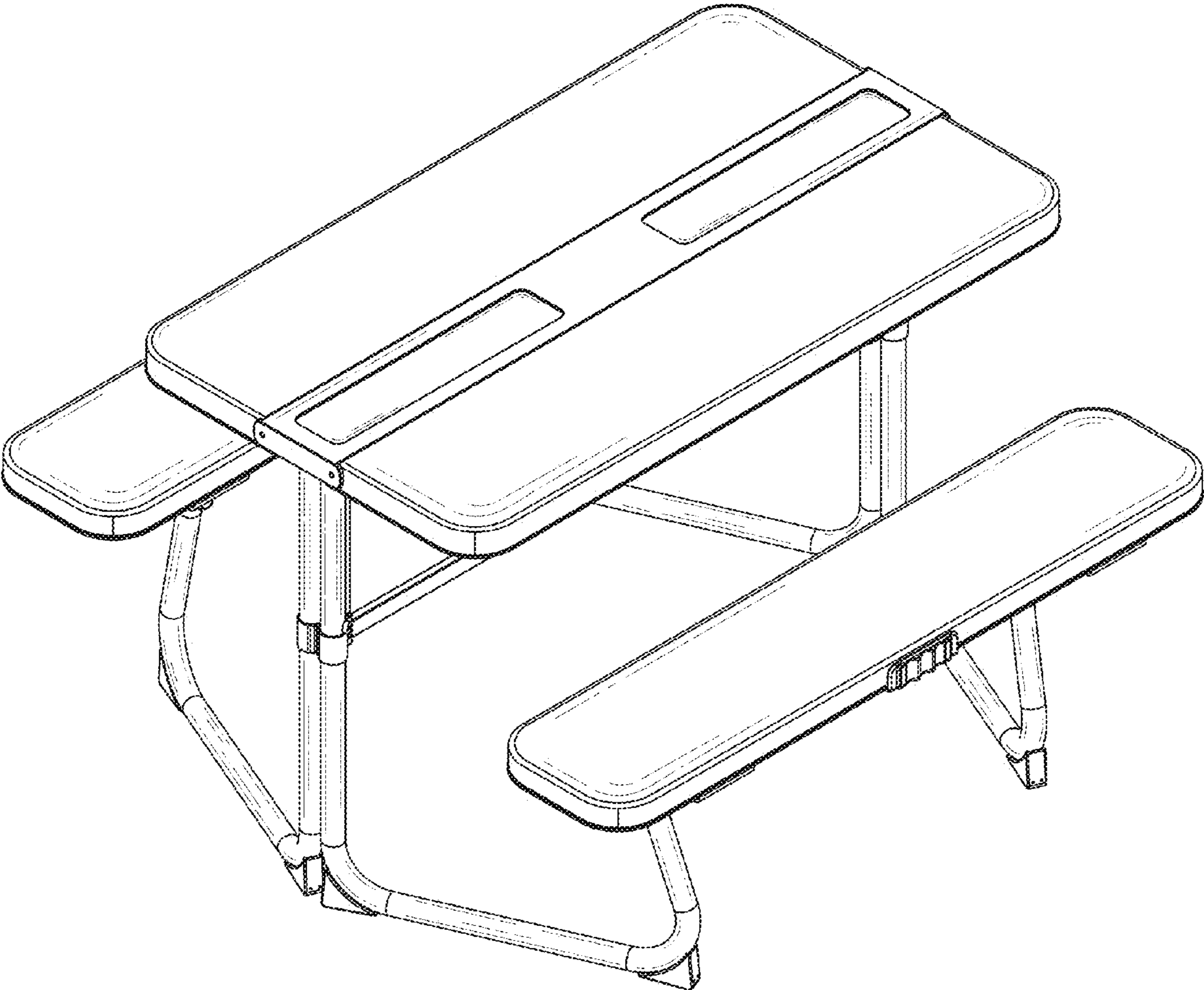


Fig. 9

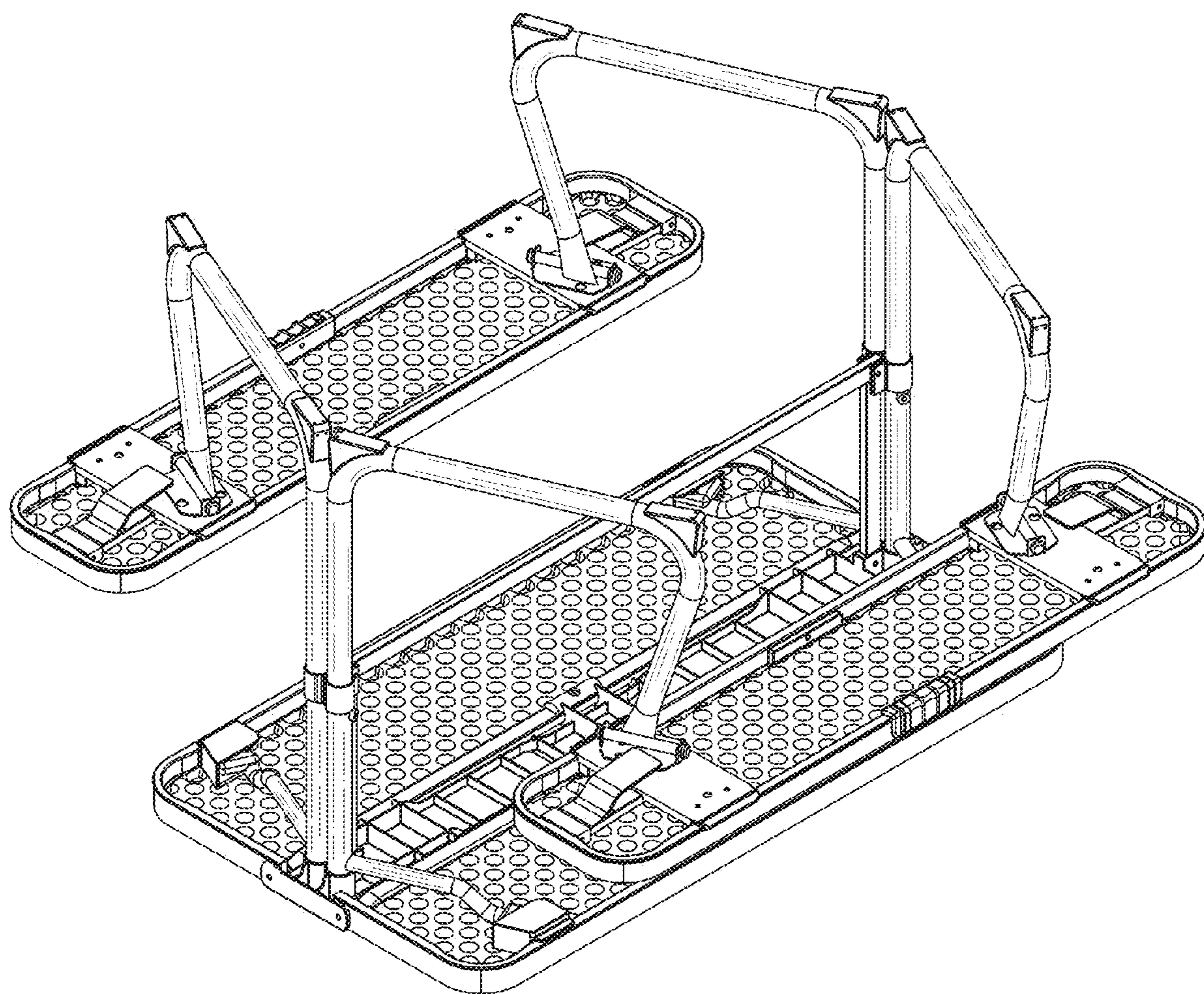


Fig. 10