



US00D895343S

(12) **United States Design Patent** (10) **Patent No.:** **US D895,343 S**
Bond et al. (45) **Date of Patent:** **** Sep. 8, 2020**

(54) **COTTON CANDY MACHINE** 5,498,144 A * 3/1996 Francis A23G 3/10
425/196
(71) Applicant: **Nostalgia Products LLC**, Green Bay, WI (US) D383,642 S * 9/1997 Feil D7/376
6,284,164 B1 * 9/2001 Weiss A23G 3/10
264/8
(72) Inventors: **Gregg Bond**, Beverly Hills, CA (US); D465,966 S * 11/2002 Daftari D7/368
Edward E. Boughton, III, Ventura, CA (US) D475,238 S * 6/2003 Feil D7/376
D489,505 S * 5/2004 Bond D34/14
D873,069 S * 1/2020 Cottam D7/379
(Continued)

(73) Assignee: **NOSTALGIA PRODUCTS LLC**, Green Bay, WI (US)

(**) Term: **15 Years**

(21) Appl. No.: **29/673,293**

(22) Filed: **Dec. 13, 2018**

(51) **LOC (12) Cl.** **07-02**

(52) **U.S. Cl.**
USPC **D7/323; D7/368**

(58) **Field of Classification Search**
USPC D7/323, 325, 337, 339, 346-347, 368, D7/376, 379, 350.1, 350.4, 354, 362, 391, D7/602, 629; D34/14
CPC A23G 3/0051; A23G 3/10; A23L 1/01; A23L 1/0128; A23L 1/10; A23L 1/18; A23L 1/1802; A23L 1/1812; A23L 1/1815; A23L 1/1817; A23L 1/217; A23P 1/14; A23P 1/142; A23P 1/144; A23P 1/146; A23P 1/148; A47J 27/004; A47J 36/027; A47J 36/06; A47J 43/046; B65D 81/34; B65D 81/3407; B65D 81/3446; B65D 81/3453
See application file for complete search history.

(56) **References Cited**

U.S. PATENT DOCUMENTS

4,793,782 A * 12/1988 Sullivan A23G 3/10
264/8
D306,389 S * 3/1990 Nasui D7/354
5,145,687 A * 9/1992 Parker A23G 3/10
425/131.5

OTHER PUBLICATIONS

Nostalgia PCM425AQ Retro Hard and Sugar Free Countertop Cotton Candy Make; Amazon.com Jun. 13, 2019 [https://www.amazon.com/Nostalgia-PCM425AQ-Countertop-Cotton Reusable/dp/B07T2FGRS6](https://www.amazon.com/Nostalgia-PCM425AQ-Countertop-Cotton-Reusable/dp/B07T2FGRS6) (Year: 2019).*

Primary Examiner — Ricky Pham
(74) *Attorney, Agent, or Firm* — Womble Bond Dickinson (US) LLP

(57) **CLAIM**

The ornamental design for cotton candy machine, as shown and described.

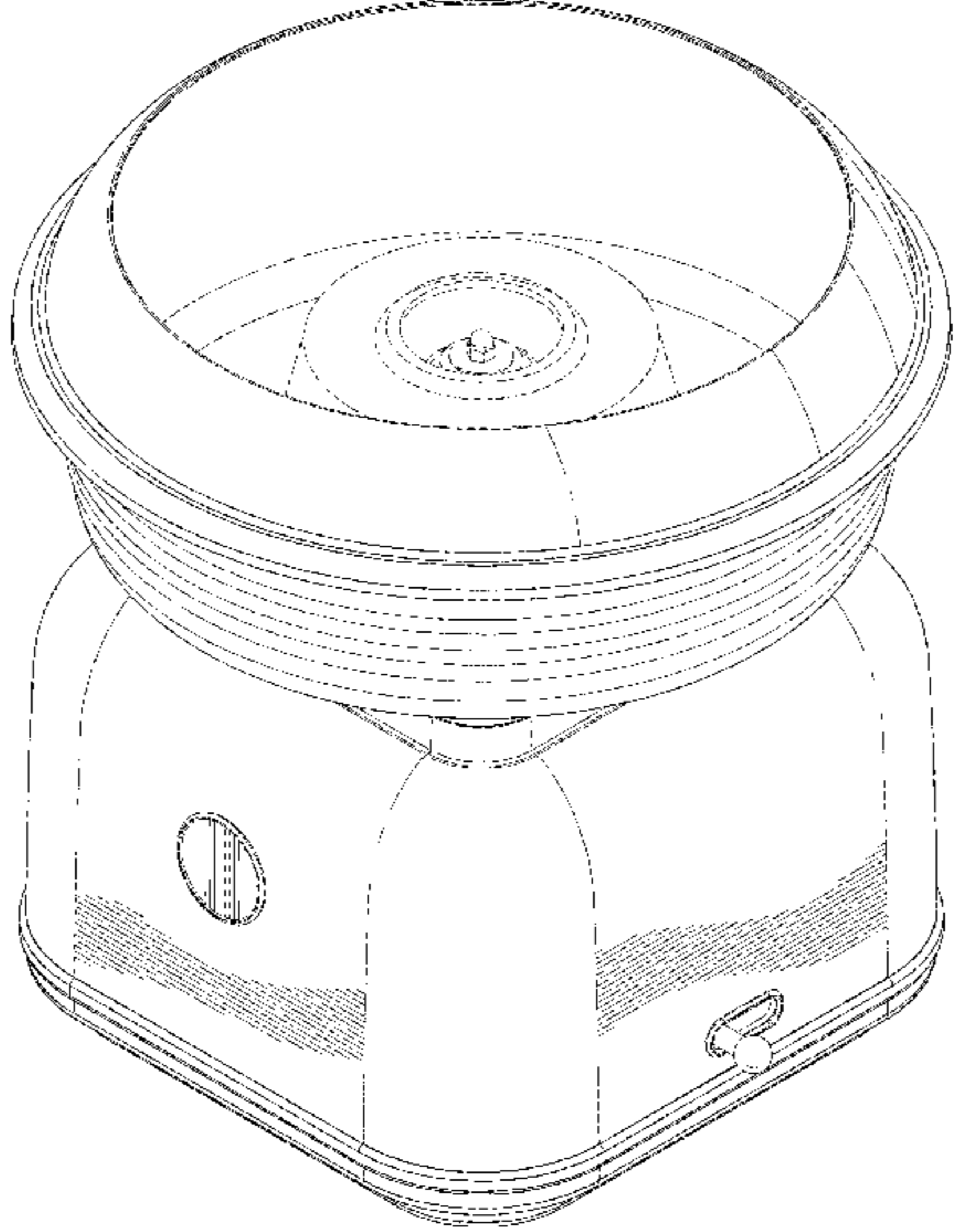
DESCRIPTION

FIG. 1 is a front, side perspective view of our new ornamental design for cotton candy machine;
FIG. 2 is a front elevation view thereof;
FIG. 3 is a rear elevation view thereof;
FIG. 4 is a left, side elevation view thereof;
FIG. 5 is a right, side elevation view thereof;
FIG. 6 is a top plan view thereof; and,
FIG. 7 is a bottom plan view thereof.

All portions of the drawings shown in dashed lines are for illustrative purposes only and form no part of the claimed design.

The broken lines shown in the drawings are for illustrative purposes only and form no part of the claimed design.

1 Claim, 7 Drawing Sheets



(56)

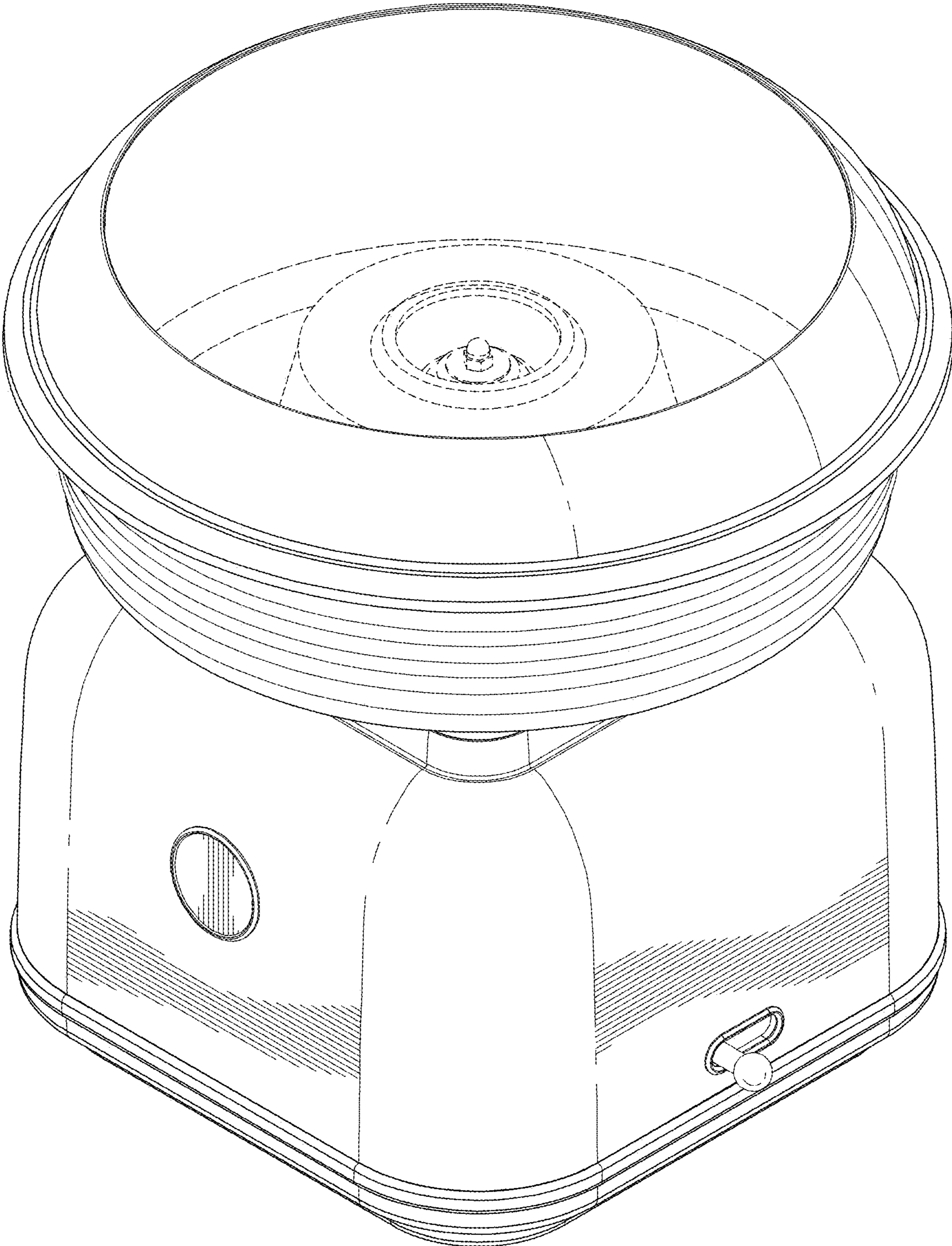
References Cited

U.S. PATENT DOCUMENTS

2007/0031527 A1* 2/2007 Koike A23G 3/10
425/9
2013/0202726 A1* 8/2013 Bond 425/9
2017/0000158 A1* 1/2017 Todokoro A47J 43/046

* cited by examiner

FIG. 1



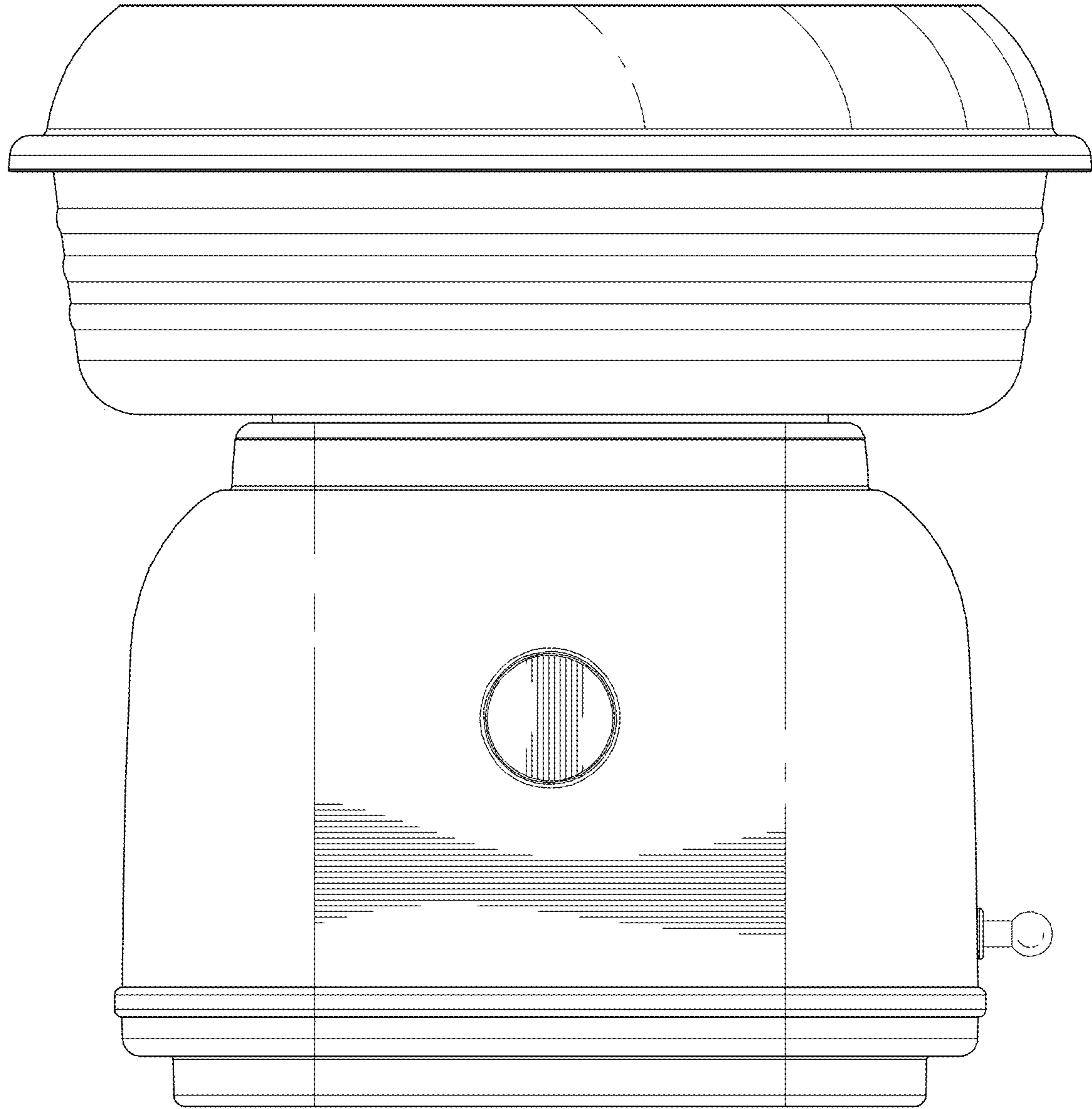


FIG. 2

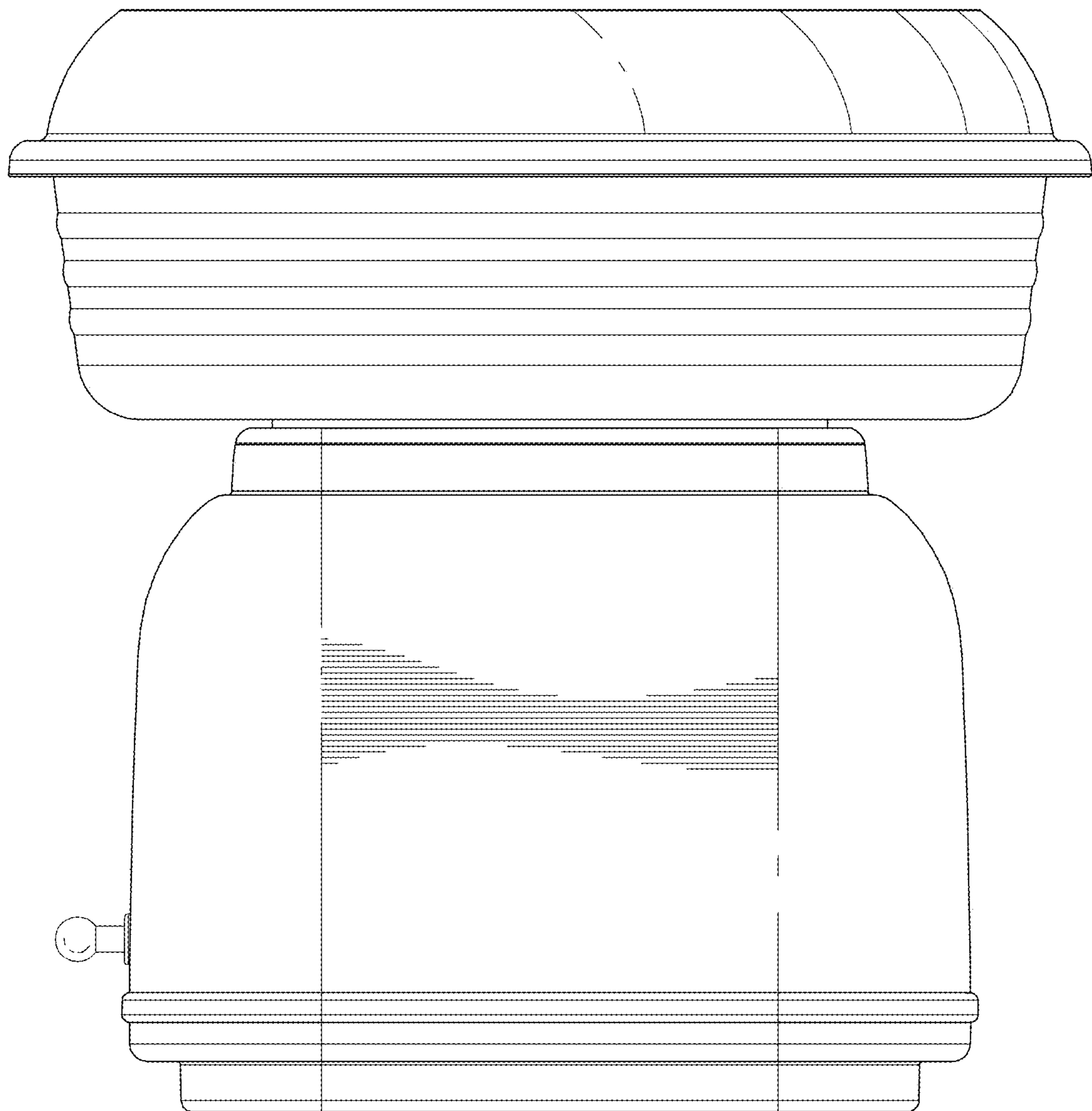


FIG. 3

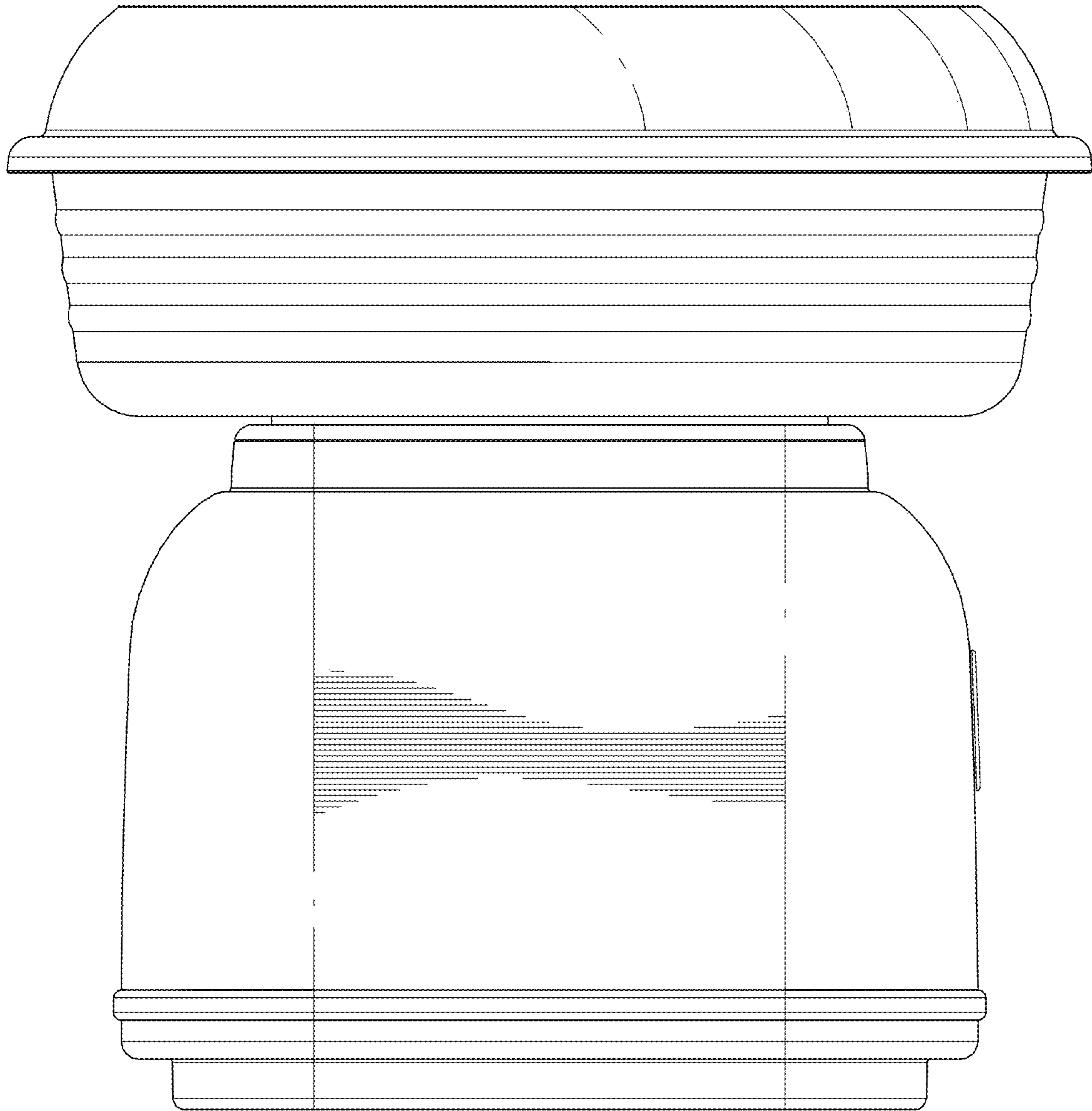


FIG. 4

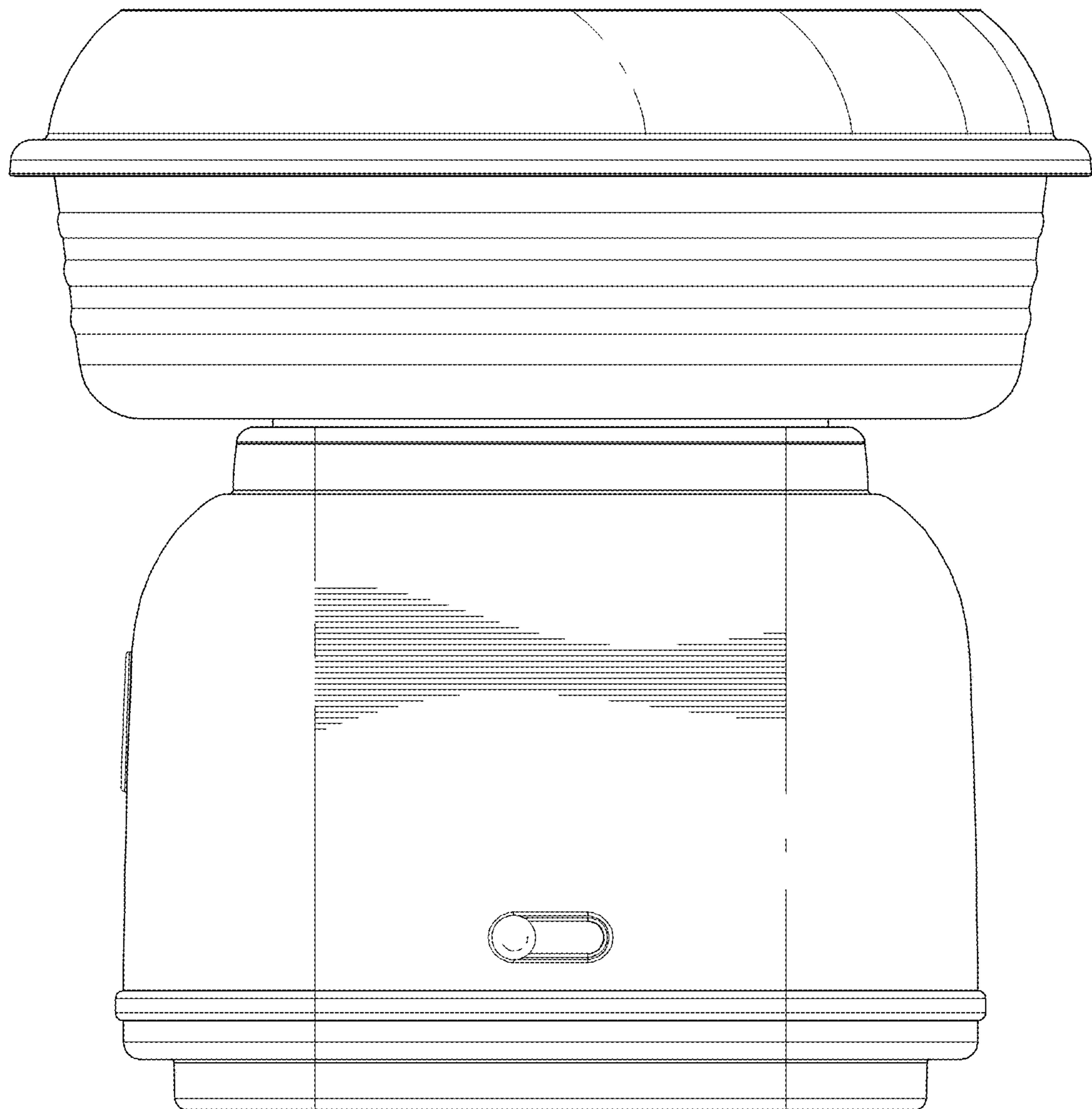


FIG. 5

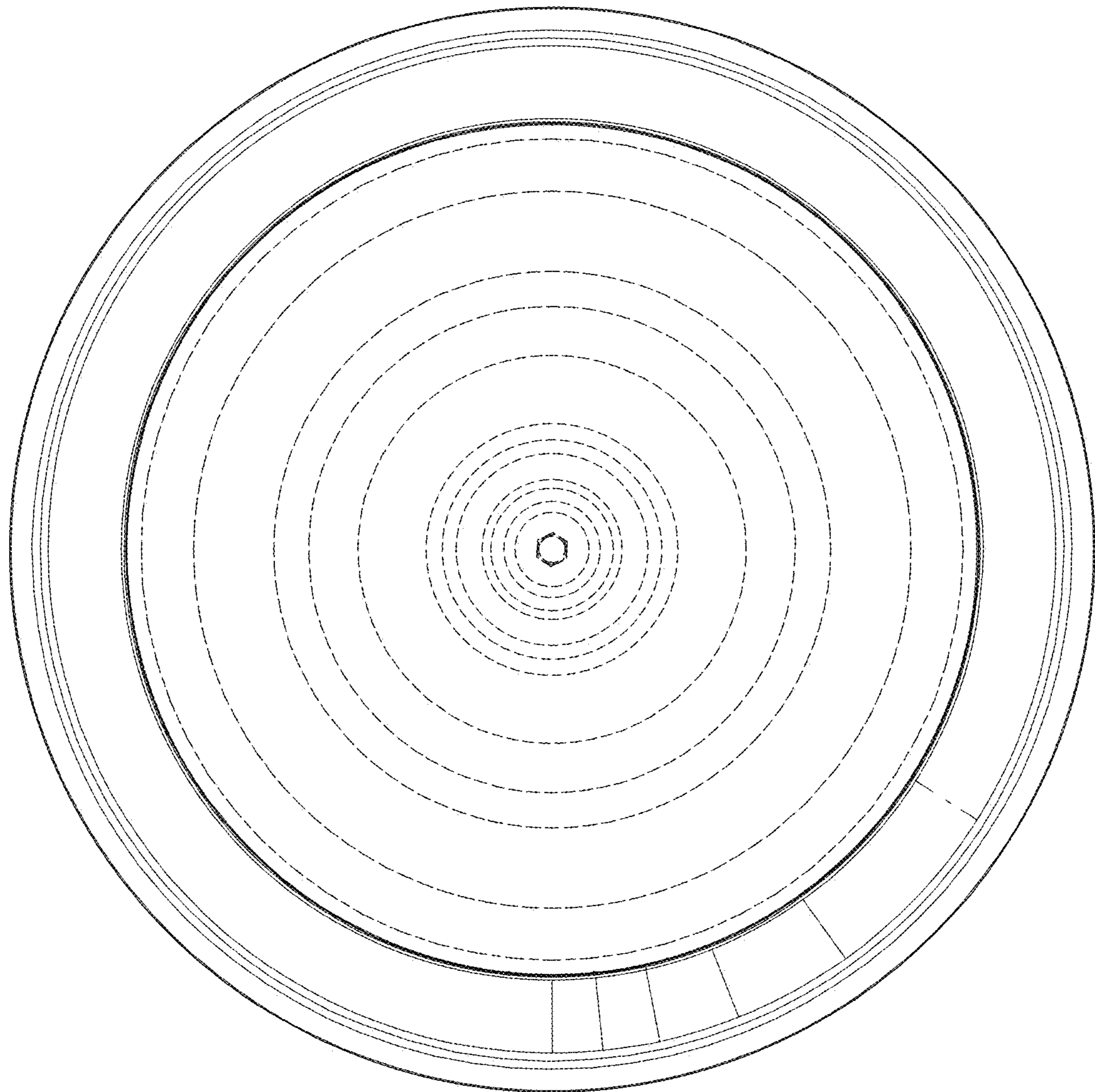


FIG. 6

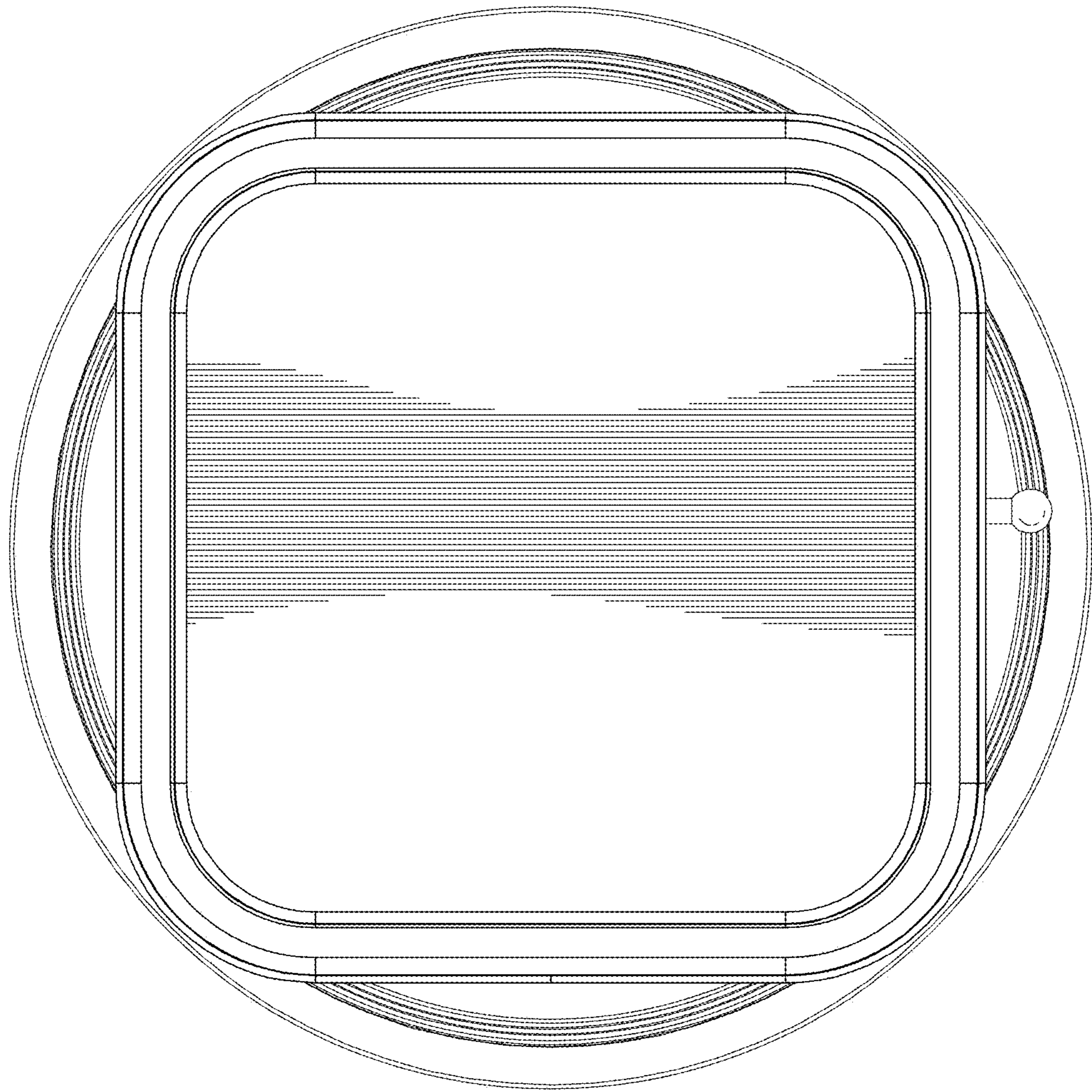


FIG. 7