



US00D895341S

(12) **United States Design Patent** (10) **Patent No.:** **US D895,341 S**  
**Zywicki et al.** (45) **Date of Patent:** **\*\* Sep. 8, 2020**

(54) **FILTERING STRAW**

(71) Applicants: **Mirosław Jan Zywicki**, Olsztyn (PL);  
**Anna Karolina Cieslinska**, Gietrzwałd (PL)

(72) Inventors: **Mirosław Jan Zywicki**, Olsztyn (PL);  
**Anna Karolina Cieslinska**, Gietrzwałd (PL)

(\*\*) Term: **15 Years**

(21) Appl. No.: **29/637,398**

(22) Filed: **Feb. 17, 2018**

(51) **LOC (12) Cl.** ..... **07-06**

(52) **U.S. Cl.**  
USPC ..... **D7/300.2**

(58) **Field of Classification Search**  
USPC ..... D7/213, 300.2, 387, 397, 400, 505, 507,  
D7/635, 643, 648, 653, 664, 683, 300;  
D20/22, 28; D9/499, 434; D23/209,  
D23/210; D27/101  
CPC ..... A47G 21/181; A47G 21/18; A01M 3/022  
See application file for complete search history.

(56) **References Cited**

**U.S. PATENT DOCUMENTS**

2,899,050	A *	8/1959	Collins, Jr.	.....	B65D 3/10 206/719
3,722,457	A *	3/1973	Hartinger	.....	A47J 43/27 116/321
5,509,605	A *	4/1996	Cripe	.....	A47G 21/188 210/266
D529,817	S *	10/2006	Francavilla	.....	G01F 11/025 D9/724
7,467,908	B2 *	12/2008	Francavilla	.....	G01F 11/025 222/325
8,318,011	B2 *	11/2012	O'Brien	.....	C02F 1/002 210/200
D691,899	S *	10/2013	Jessien	.....	D9/715

D726,550	S *	4/2015	Lu	.....	D9/715
D738,612	S *	9/2015	Winiski	.....	D3/205
D749,884	S *	2/2016	Martins	.....	D24/224
D819,894	S *	6/2018	Sung	.....	D29/126
D846,327	S *	4/2019	Peterson	.....	A47G 21/183 D7/300.2
D847,568	S *	5/2019	Hartnett	.....	D7/505
2005/0116057	A1 *	6/2005	Hamer	.....	A47G 21/182 239/16
2012/0067909	A1 *	3/2012	Mattheus	.....	A47G 21/18 220/705

(Continued)

*Primary Examiner* — Karen S Acker

*Assistant Examiner* — Steven B Reinholdt, Jr.

(74) *Attorney, Agent, or Firm* — Horst M. Kasper, Esq

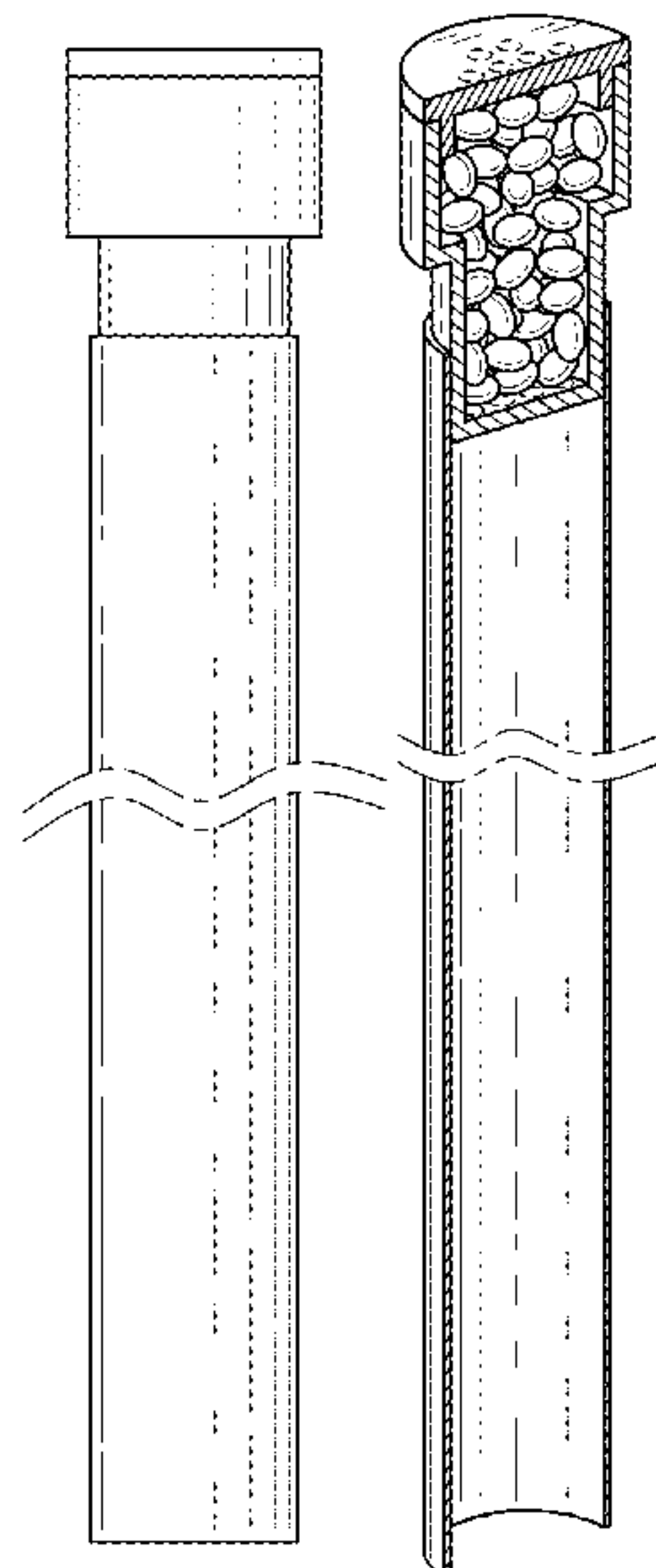
(57) **CLAIM**

The ornamental design for a filtering straw, as shown and described.

**DESCRIPTION**

FIG. 1 is a front elevational view of a filtering straw showing our new design; the rear and side elevationai views are mirror images of the front eievational view;  
 FIG. 2 is a top plan view thereof;  
 FIG. 3 is a bottom plan view thereof;  
 FIG. 4 is a perspective top view thereof;  
 FIG. 5 is an enlarged exploded view of area 5 within FIG. 4; and,  
 FIG. 6 is a cross-sectional view of the filtering straw of FIG. 1 taken in the direction of line 6-6 of FIG. 2.  
 The dot-dot-dash broken lines in a rectangular shape in FIG. 4 and surrounding FIG. 5 denote a detail boundary and form no part of the claimed design. The dot-dash-dot broken lines used in FIGS. 1, 4, and 6, denote a symbolic break that forms no part of the claimed design. The areas between the break lines form no part of the claimed design. The evenly spaced broken lines in the drawings depict portions of the filtering straw that form no part of the claimed design.

**1 Claim, 4 Drawing Sheets**



(56)

**References Cited**

U.S. PATENT DOCUMENTS

2012/0160928 A1\* 6/2012 Jo ..... A47G 21/183  
239/33

\* cited by examiner

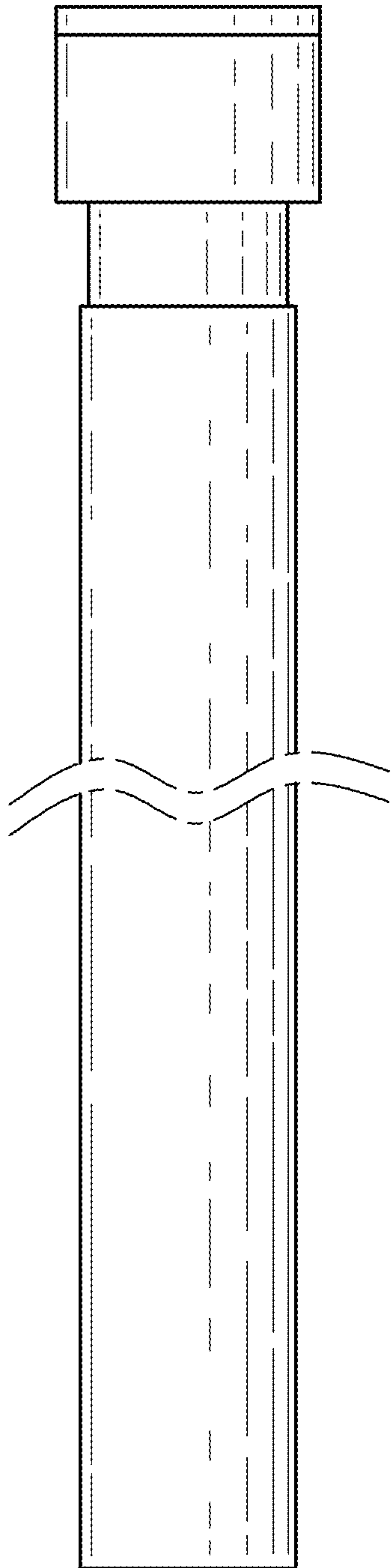


FIG. 1

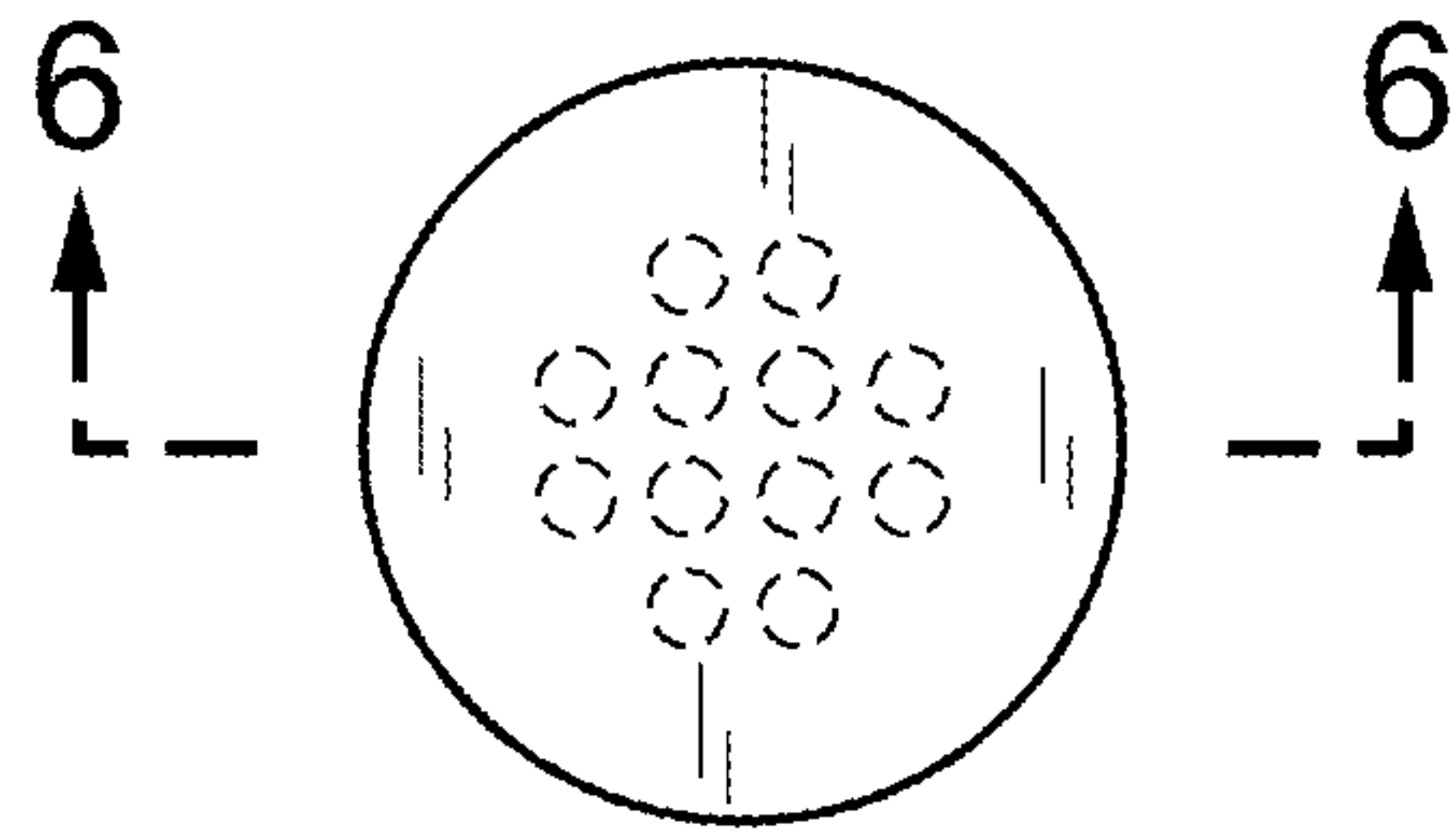


FIG. 2

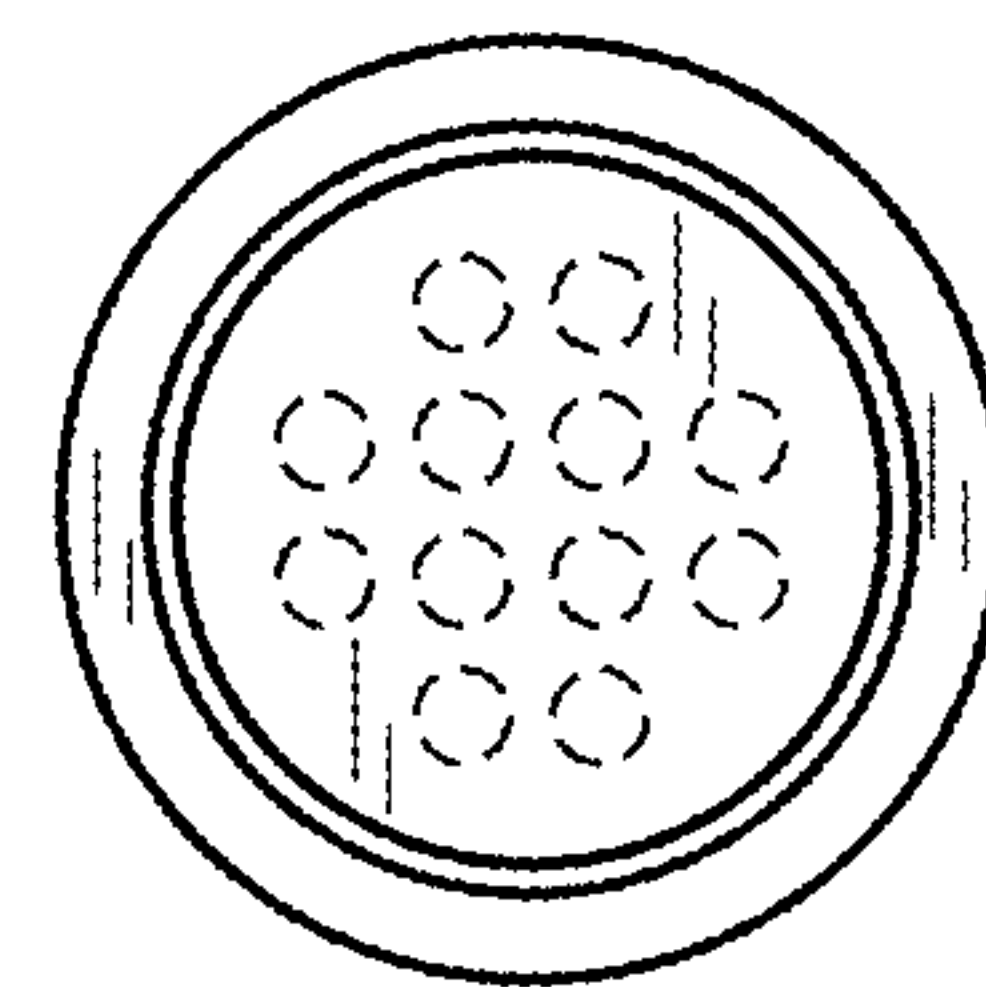


FIG. 3

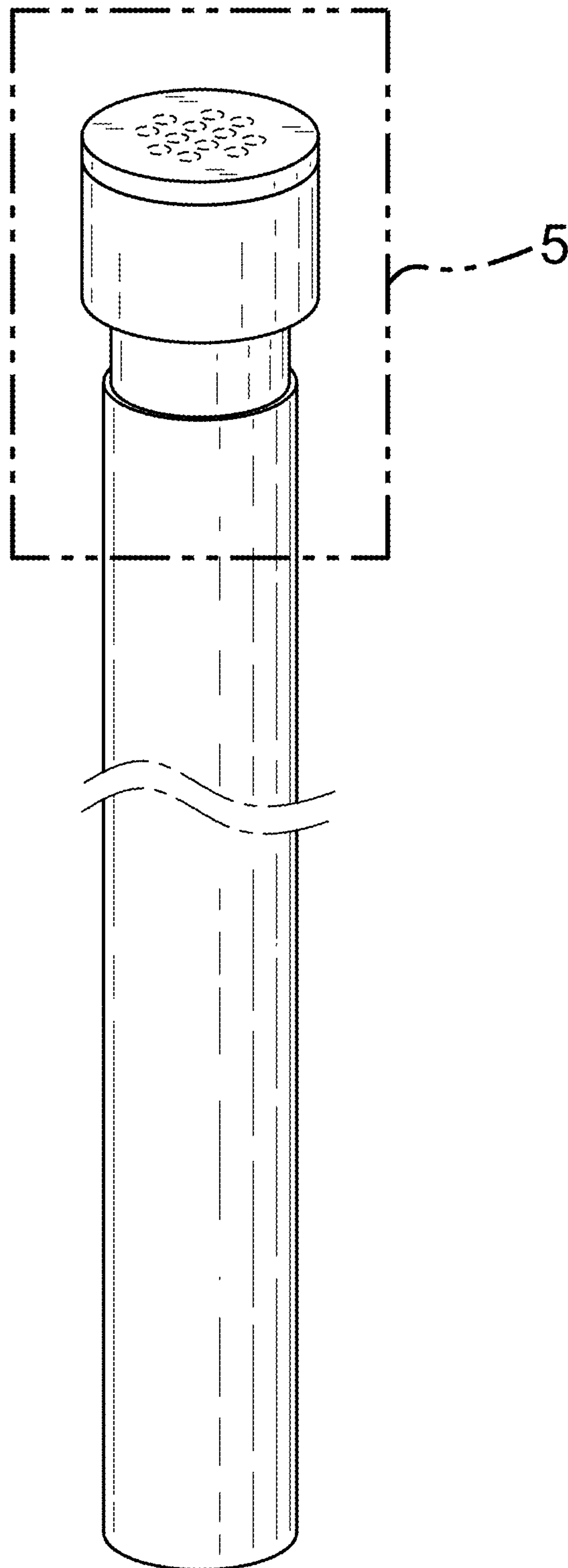


FIG.4

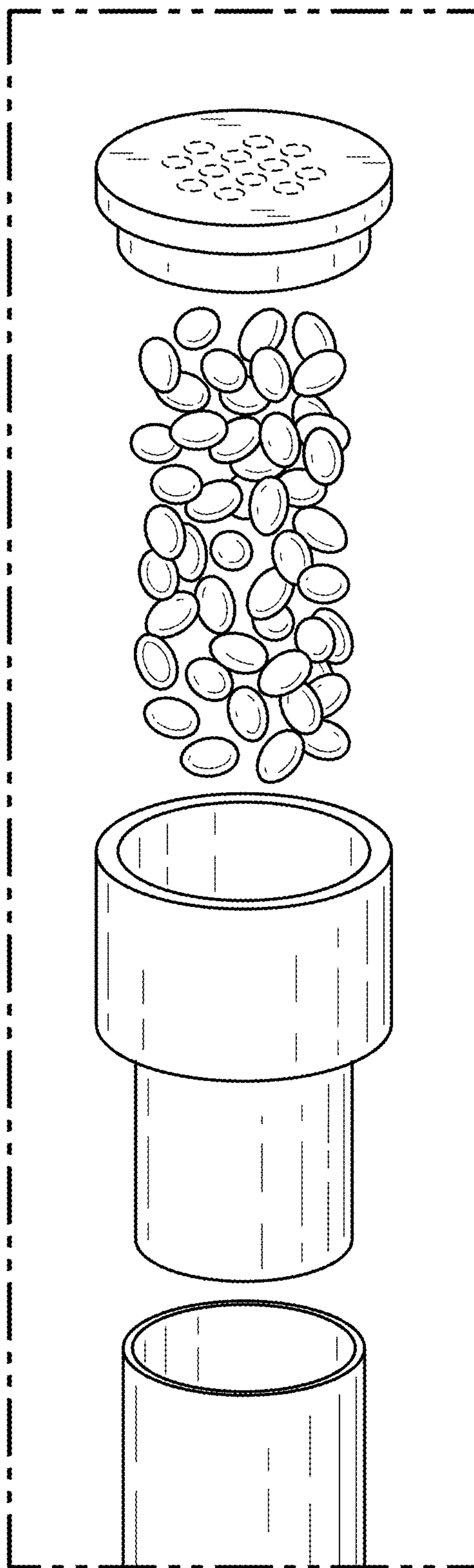


FIG.5

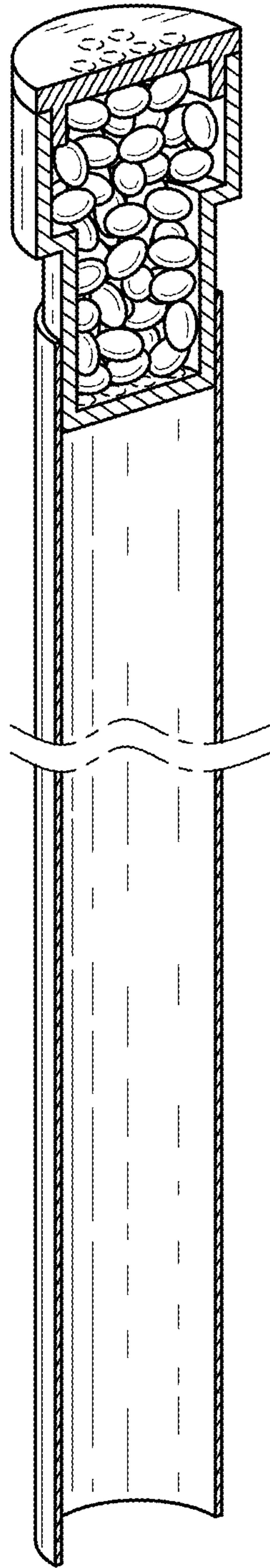


FIG.6