



US00D895339S

(12) **United States Design Patent** (10) **Patent No.:** **US D895,339 S**  
**Rottet et al.** (45) **Date of Patent:** **\*\* Sep. 8, 2020**

(54) **SOFA**  
(71) Applicant: **Haworth, Inc.**, Holland, MI (US)  
(72) Inventors: **Lauren Rottet**, Houston, TX (US);  
**Arne Dassen**, Holland, MI (US)  
(73) Assignee: **Haworth, Inc.**, Holland, MI (US)  
(\*\*) Term: **15 Years**  
(21) Appl. No.: **29/691,650**  
(22) Filed: **May 17, 2019**  
(51) **LOC (12) Cl.** ..... **06-06**  
(52) **U.S. Cl.**  
USPC ..... **D6/717; D6/334; D6/336; D6/381**  
(58) **Field of Classification Search**  
USPC ..... **D6/334, 335, 336, 367, 381, 716.2, 717**  
CPC .. **A47C 7/24; A47C 7/54; A47C 7/541; A47C**  
**7/546; A47C 17/00; A47C 17/02; A47C**  
**17/04; A47C 17/86**  
See application file for complete search history.

D666,847 S \* 9/2012 Metcalf ..... D6/717  
D677,493 S \* 3/2013 Masson ..... D6/381  
D718,069 S \* 11/2014 Marion ..... D6/381  
D731,198 S \* 6/2015 Podsiadlo ..... D6/381  
D785,359 S \* 5/2017 Massaud ..... D6/381  
D798,072 S \* 9/2017 Massaud ..... D6/334  
D849,439 S \* 5/2019 Williams, Jr. .... D6/381  
D857,407 S \* 8/2019 Lopez ..... D6/334

\* cited by examiner

*Primary Examiner* — Cathron C Brooks  
(74) *Attorney, Agent, or Firm* — Warner Norcross + Judd  
LLP

(57) **CLAIM**

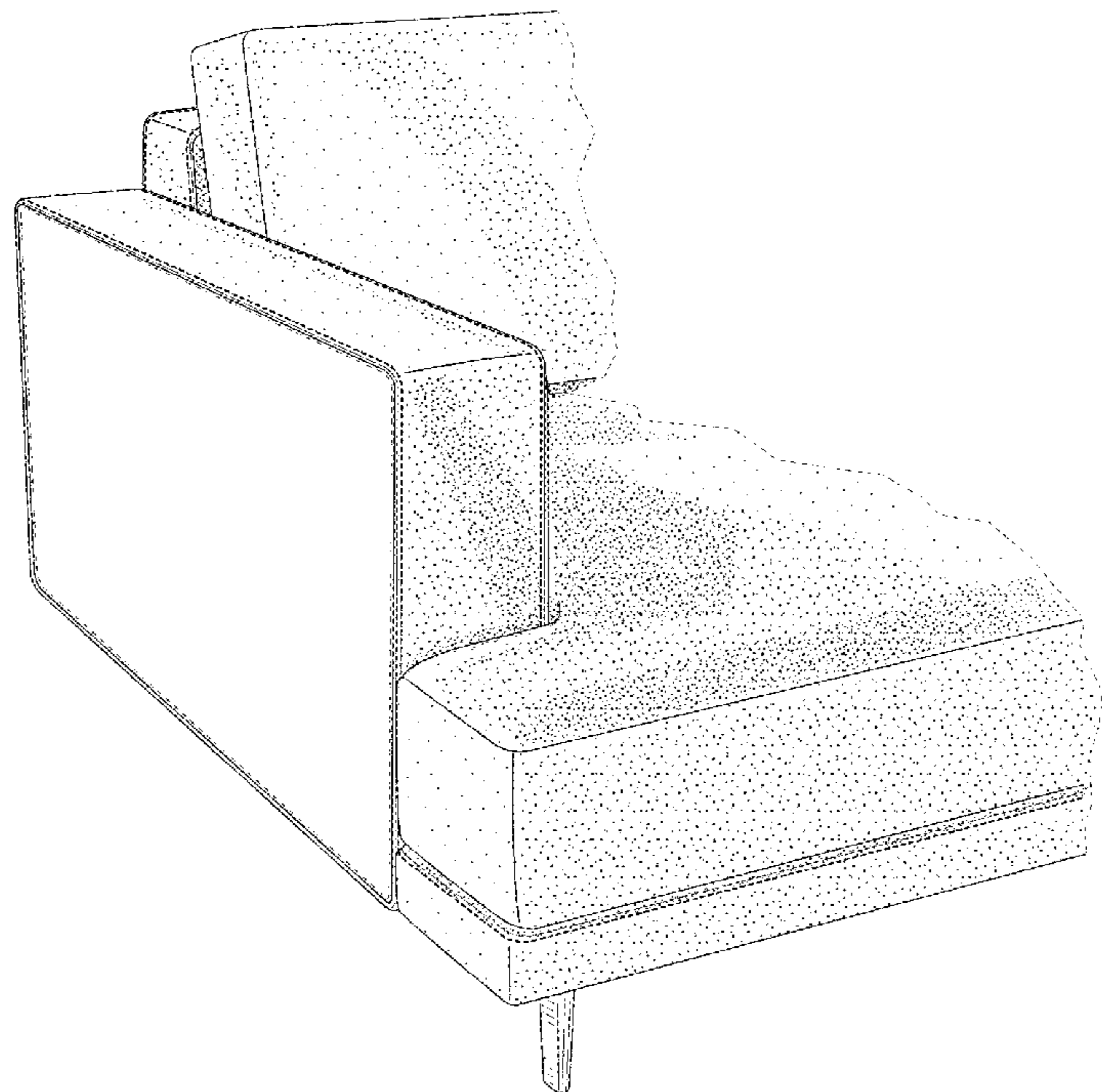
The ornamental design for a sofa, as shown and described.

**DESCRIPTION**

FIG. 1 is a front perspective view of a sofa embodying the new design;  
FIG. 2 is a close-up side perspective view thereof;  
FIG. 3 is a front view thereof;  
FIG. 4 is a rear view thereof;  
FIG. 5 is a right side view thereof;  
FIG. 6 is a left side view thereof;  
FIG. 7 is a top view thereof; and,  
FIG. 8 is a bottom view thereof.  
FIGS. 1-8 show portions of an article of furniture in broken lines. The portions shown in broken lines are for environmental purposes only and form no part of the claimed design. Stipple shading is added to convey surface contouring; the stipple shading is not to be understood as conveying a particular surface finish.

**1 Claim, 6 Drawing Sheets**

(56) **References Cited**  
U.S. PATENT DOCUMENTS  
4,621,381 A \* 11/1986 Schramek ..... A47C 4/028  
297/440.13  
D424,316 S \* 5/2000 Natuzzi ..... D6/334  
D484,713 S \* 1/2004 Gomez ..... D6/381  
D499,263 S \* 12/2004 Ricci ..... D6/334  
D505,276 S \* 5/2005 Cronk ..... D6/334  
D511,415 S \* 11/2005 Pessa ..... D6/334  
D518,654 S \* 4/2006 Pessa ..... D6/334  
D527,541 S \* 9/2006 Natuzzi ..... D6/381  
D613,960 S \* 4/2010 Griepentrog ..... D6/381  
D645,667 S \* 9/2011 Alberda ..... D6/334



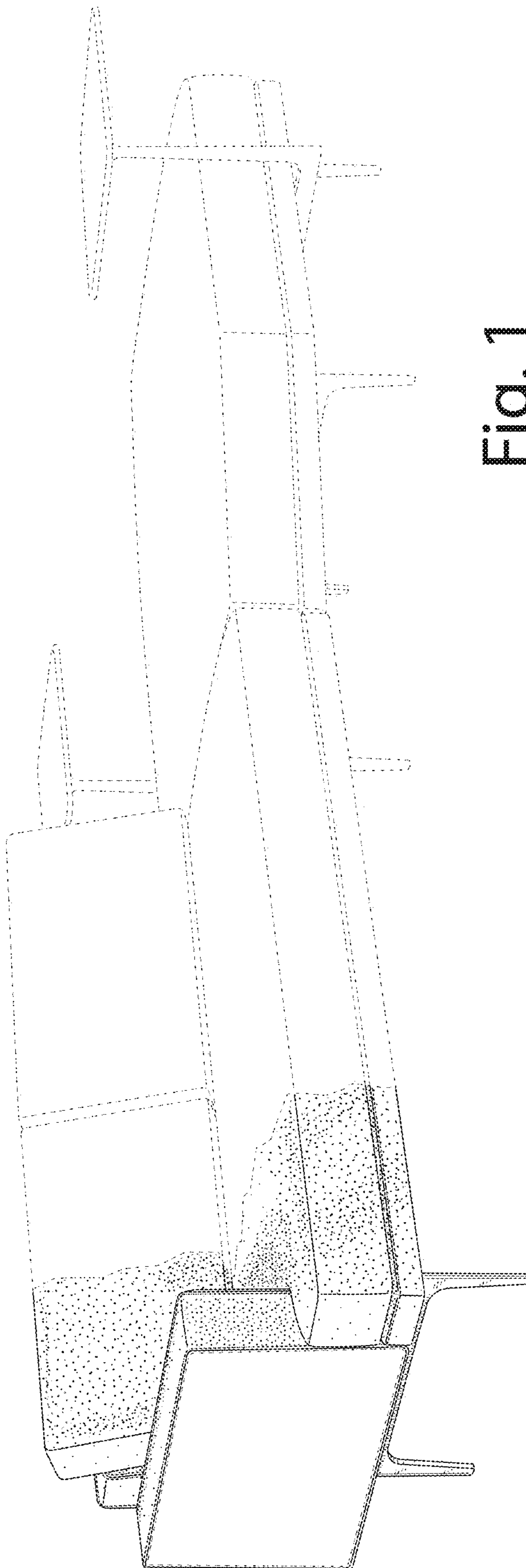


Fig. 1

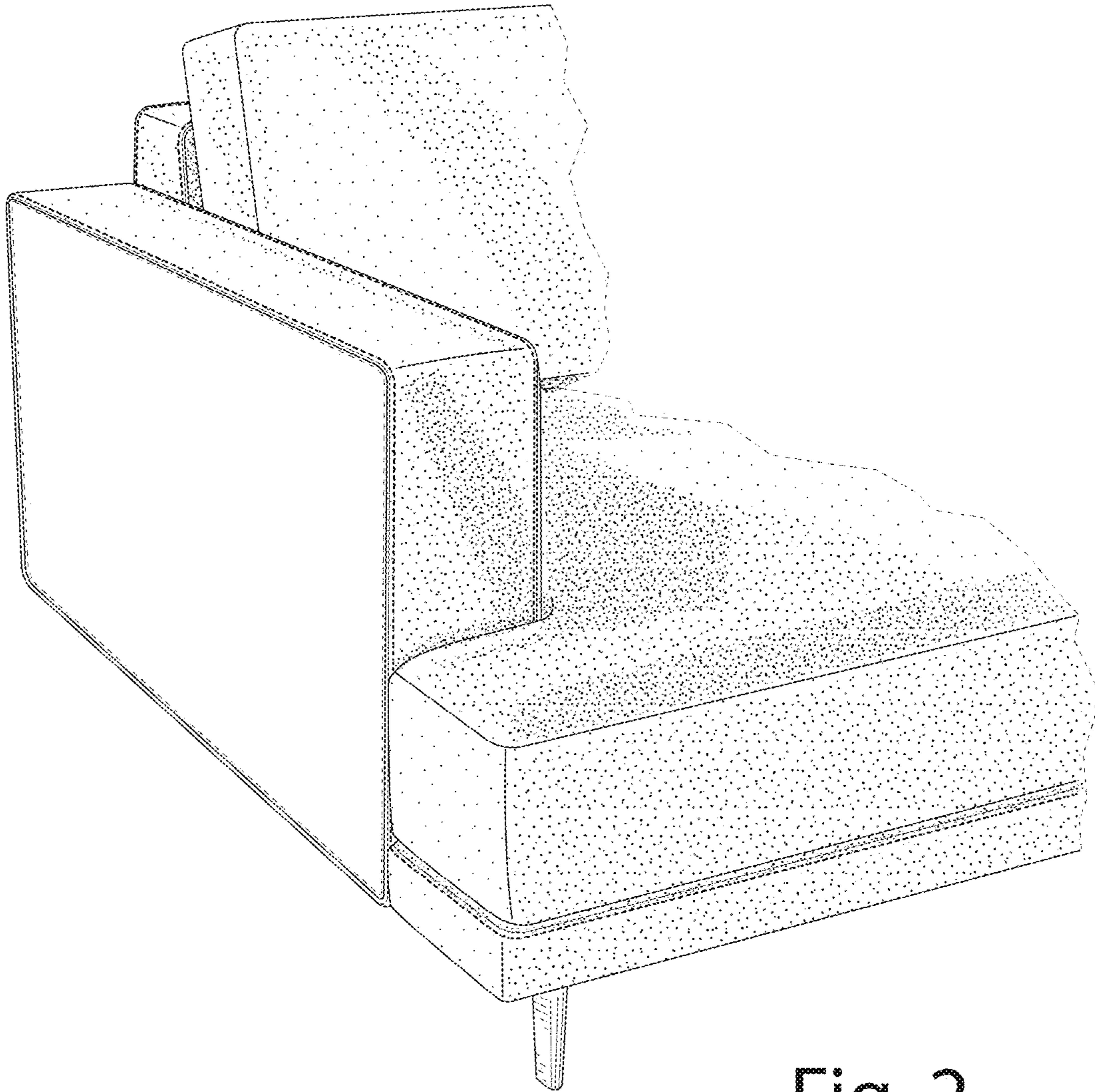


Fig. 2

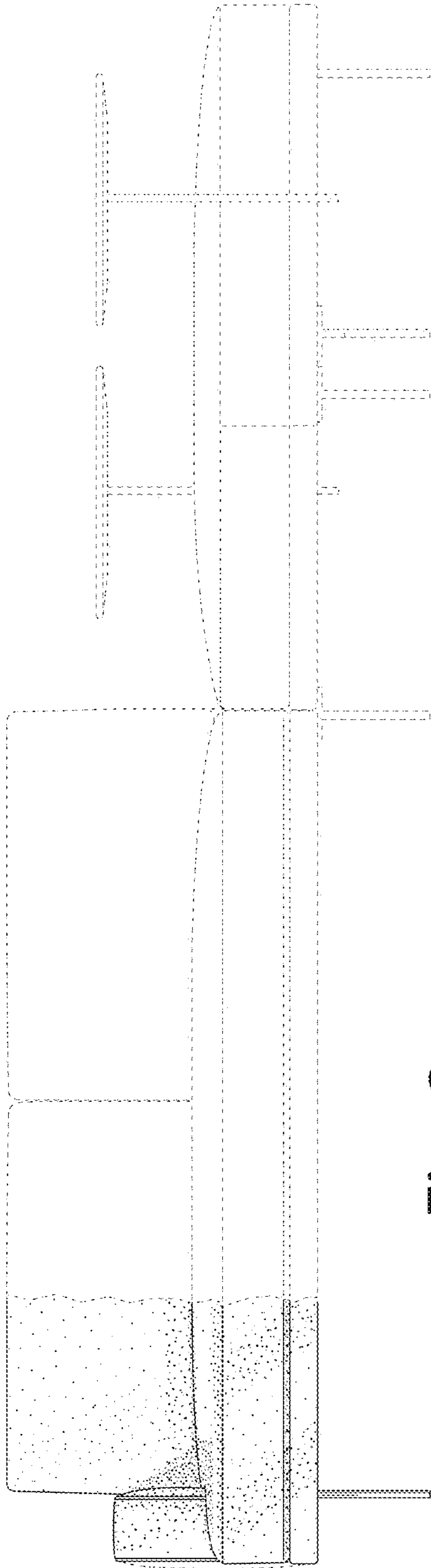


Fig. 3

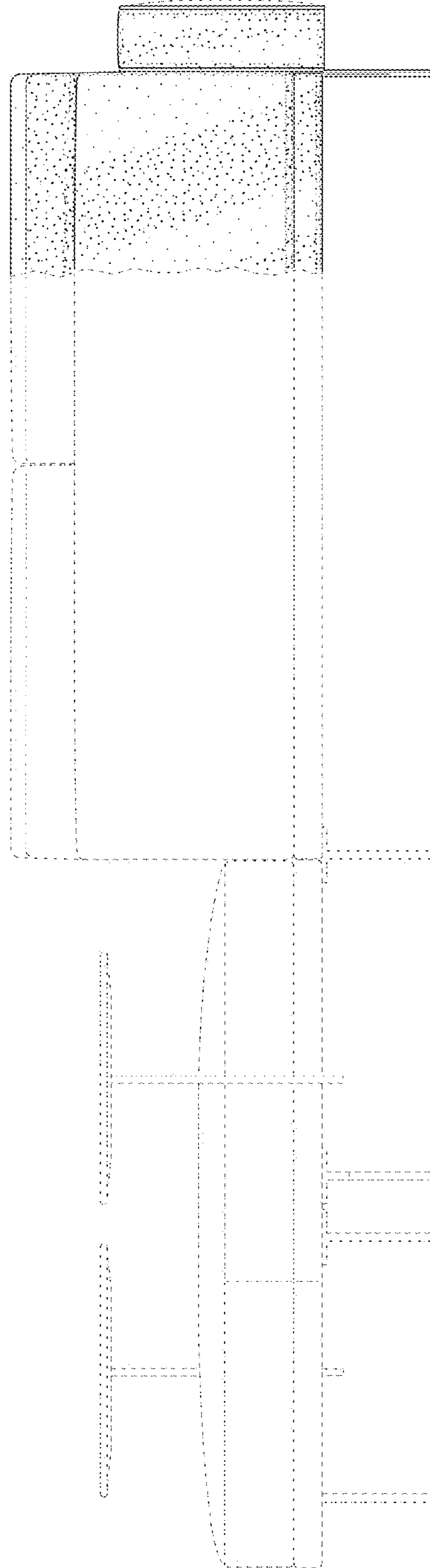


Fig. 4

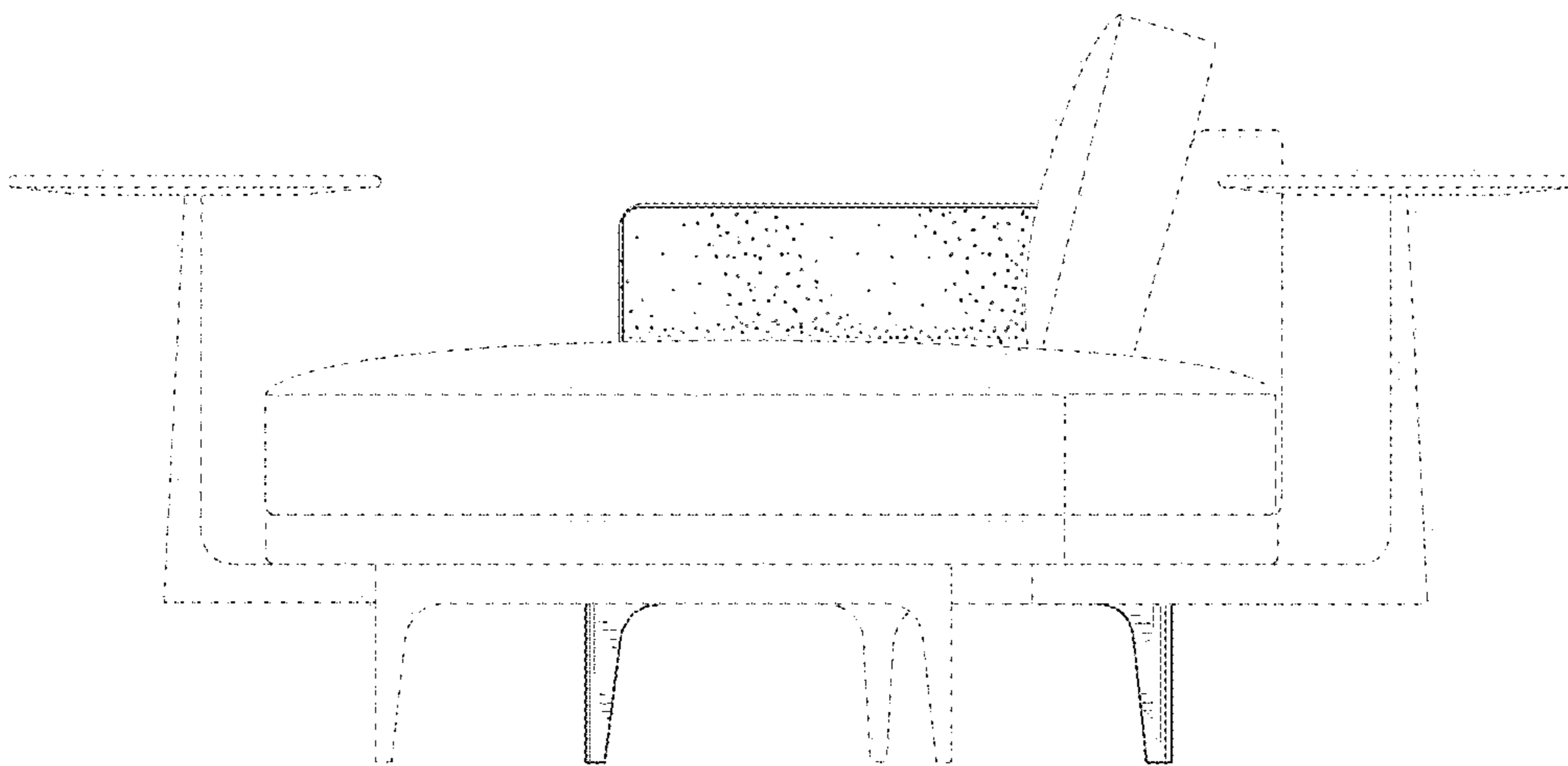


Fig. 5

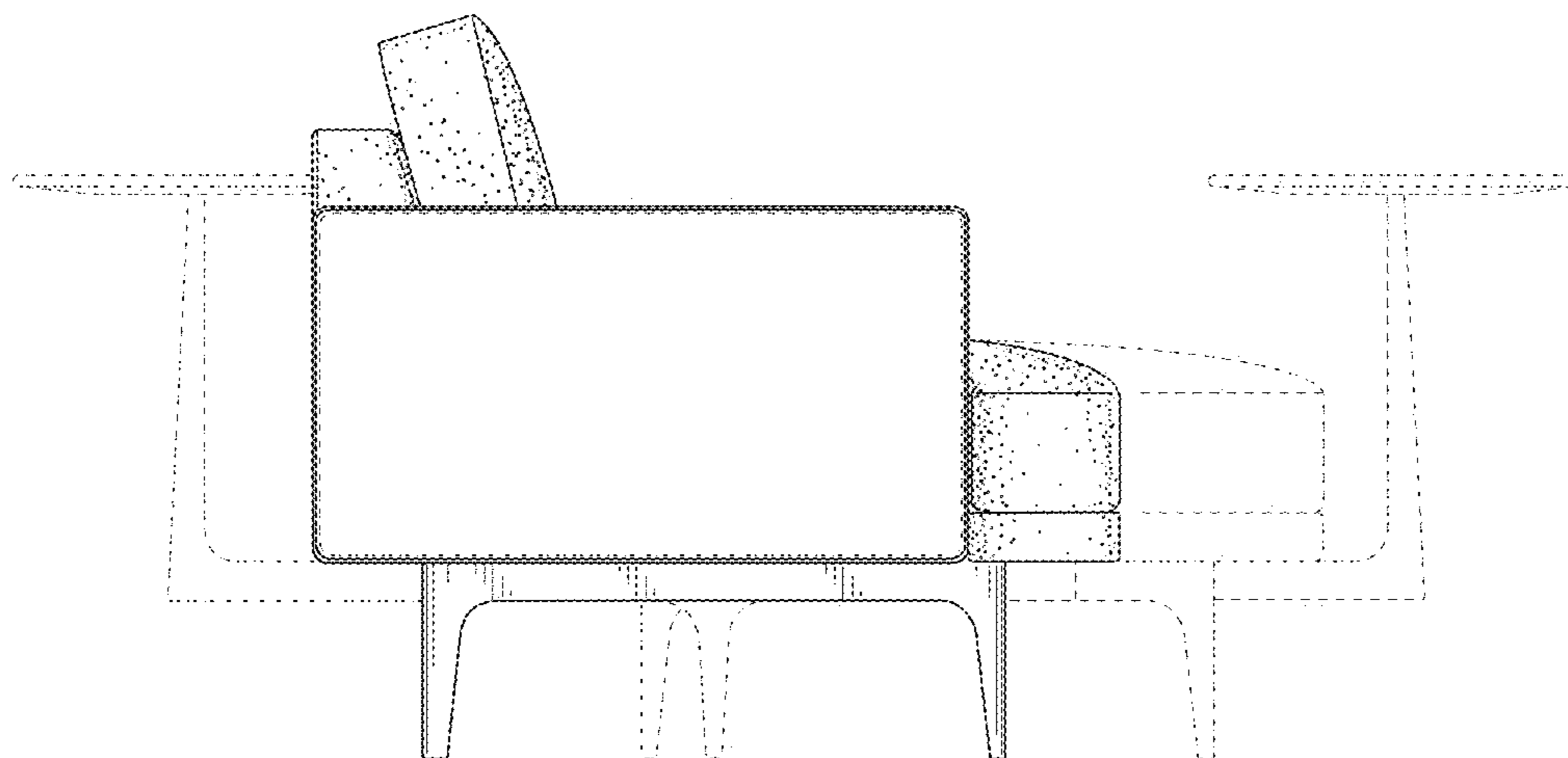


Fig. 6

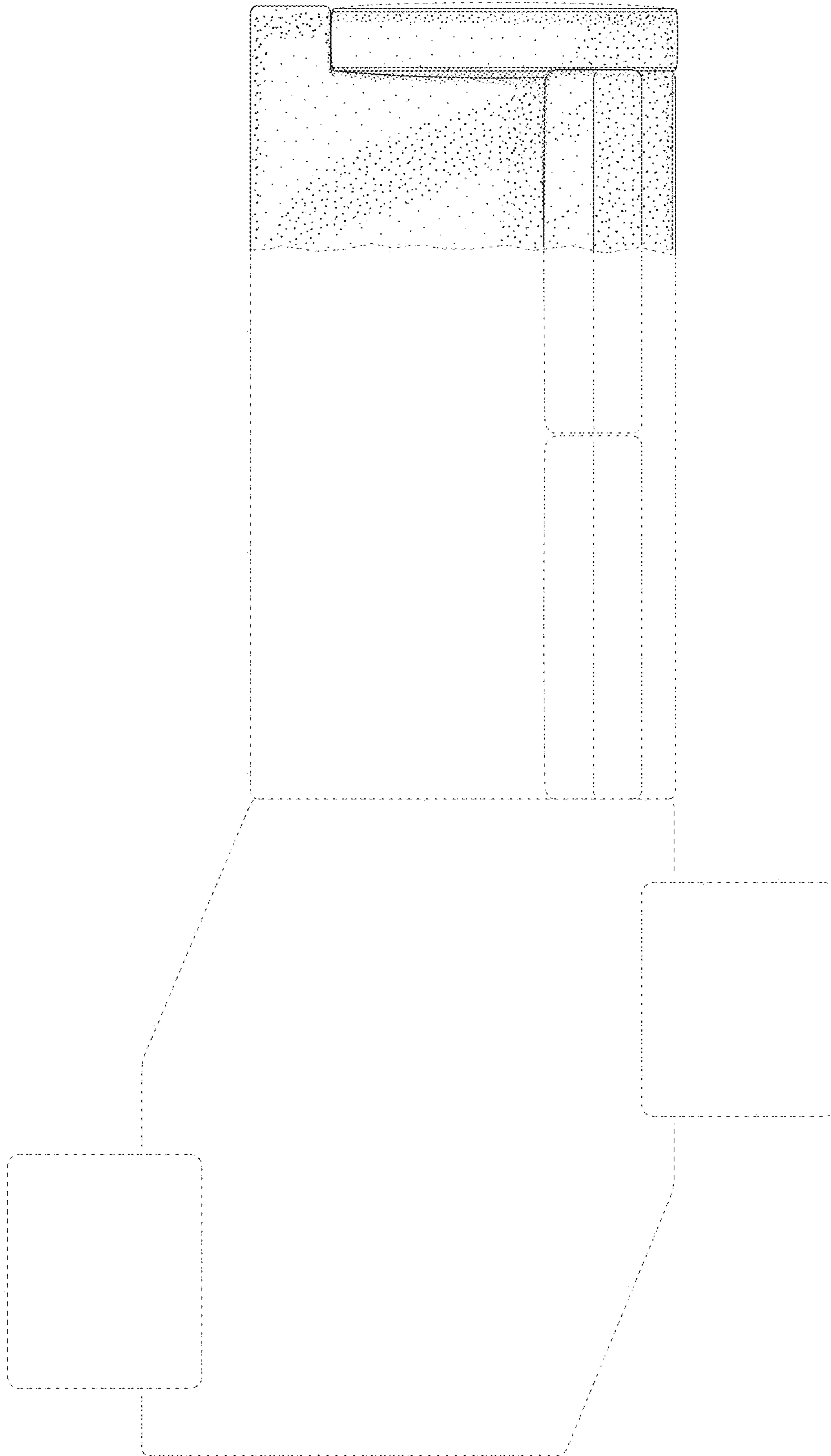


Fig. 7

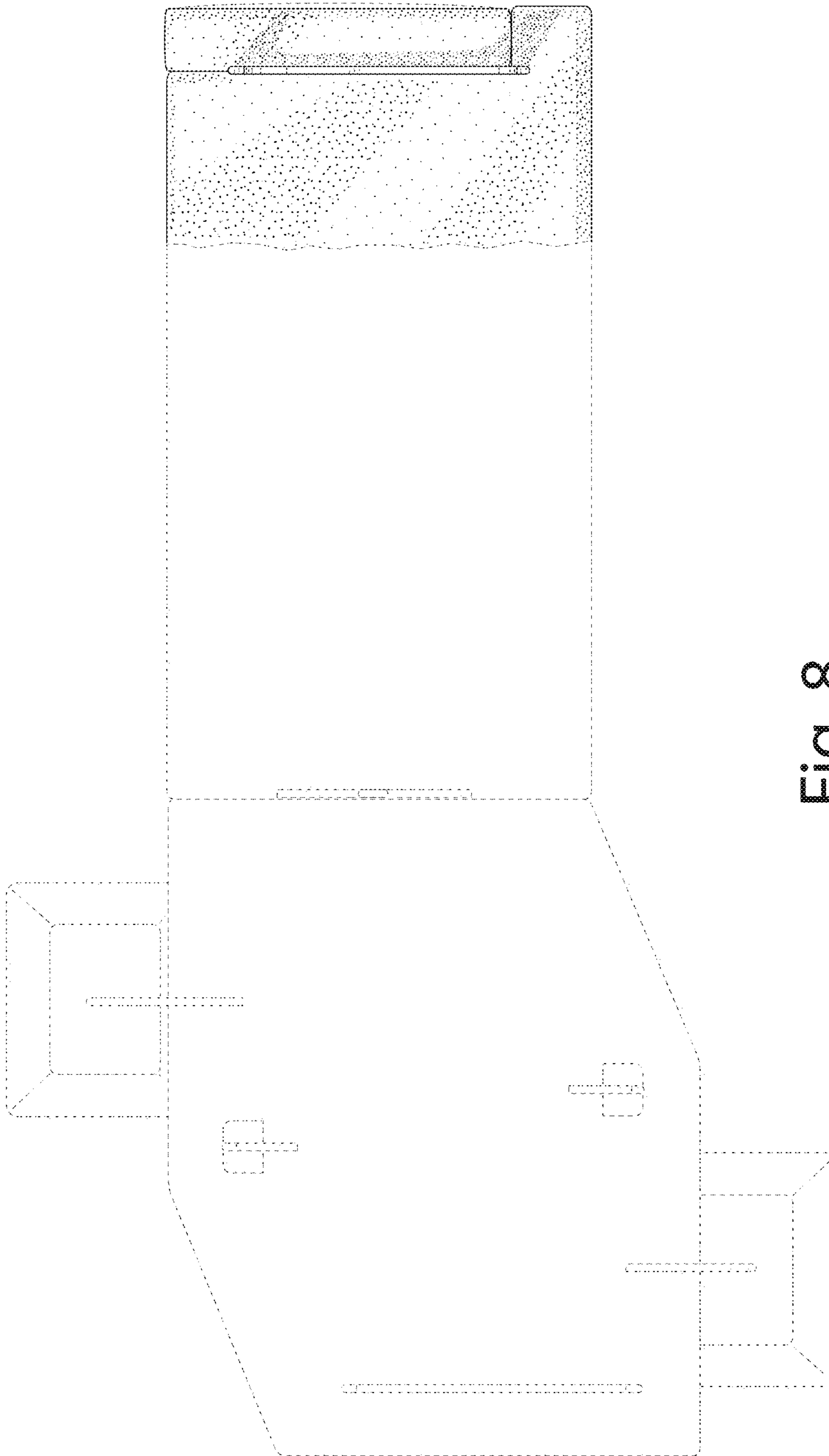


Fig. 8