



US00D895336S

(12) **United States Design Patent** (10) **Patent No.:** **US D895,336 S**
Kester (45) **Date of Patent:** **** Sep. 8, 2020**

(54) **BACK SUPPORT**

D779,253 S * 2/2017 Welsh D6/716.4
D857,436 S * 8/2019 Feiner D6/716.4

(71) Applicant: **Alida Lucille Kester**, Charlotte, NC
(US)

* cited by examiner

(72) Inventor: **Alida Lucille Kester**, Charlotte, NC
(US)

Primary Examiner — Abraham Bahta
(74) *Attorney, Agent, or Firm* — Shumaker, Loop &
Kendrick, LLP

(**) Term: **15 Years**

(21) Appl. No.: **29/690,896**

(57) **CLAIM**

(22) Filed: **May 13, 2019**

The ornamental design for a back support, as shown and described.

(51) **LOC (12) Cl.** **06-06**

(52) **U.S. Cl.**
USPC **D6/716.4**

DESCRIPTION

(58) **Field of Classification Search**
USPC ... D6/333-336, 360, 716.1-716.7, 379-380,
D6/376, 368, 375
CPC A47C 7/00; A47C 7/02; A47C 7/18; A47C
7/24; A47C 7/16; A47C 7/282; A47C
7/285; A47C 7/022; A47C 7/40; A47C
3/04; A47C 4/02; A47C 4/03; A47C 4/04;
A47C 5/06; A47C 5/12; B60N 2/643;
B60N 2/688; B60N 2/64; B60N 2/66;
B60N 2/7035; B60N 2/7047; B60N 2/24;
B60N 2/7029

FIG. 1 is a front perspective view of a back support showing my new design;
FIG. 2 is a rear perspective view of the back support shown in FIG. 1;
FIG. 3 is a front elevation view of the back support shown in FIG. 1;
FIG. 4 is a rear elevation view of the back support shown in FIG. 1;
FIG. 5 is a left side elevation view of the back support shown in FIG. 1;
FIG. 6 is a right side elevation view of the back support shown in FIG. 1;
FIG. 7 is a top plan view of the back support shown in FIG. 1; and,
FIG. 8 is a bottom plan view of the back support shown in FIG. 1.

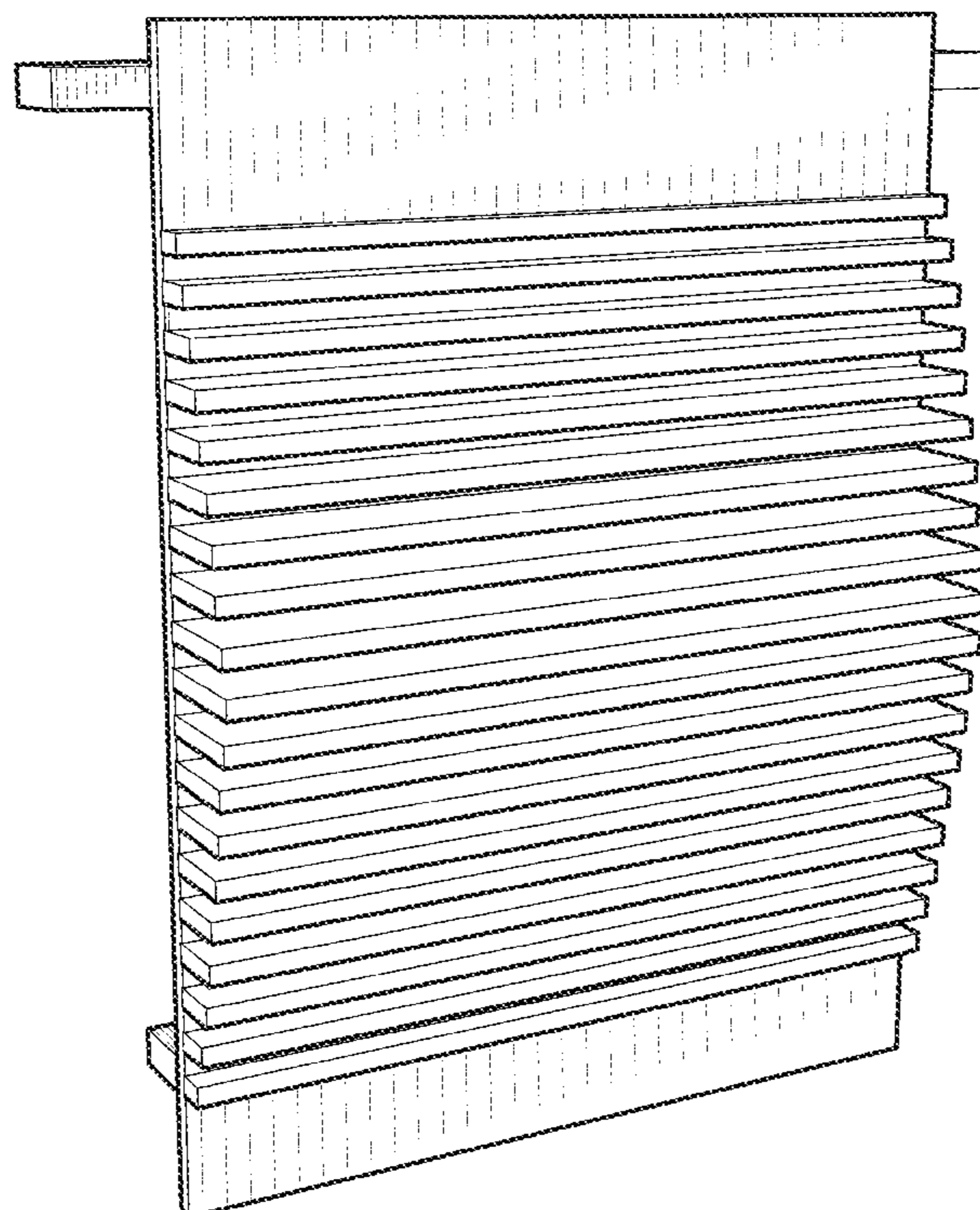
See application file for complete search history.

(56) **References Cited**

U.S. PATENT DOCUMENTS

D378,259 S * 3/1997 Bonaddio D6/596
D778,632 S * 2/2017 Ma D6/374

1 Claim, 6 Drawing Sheets



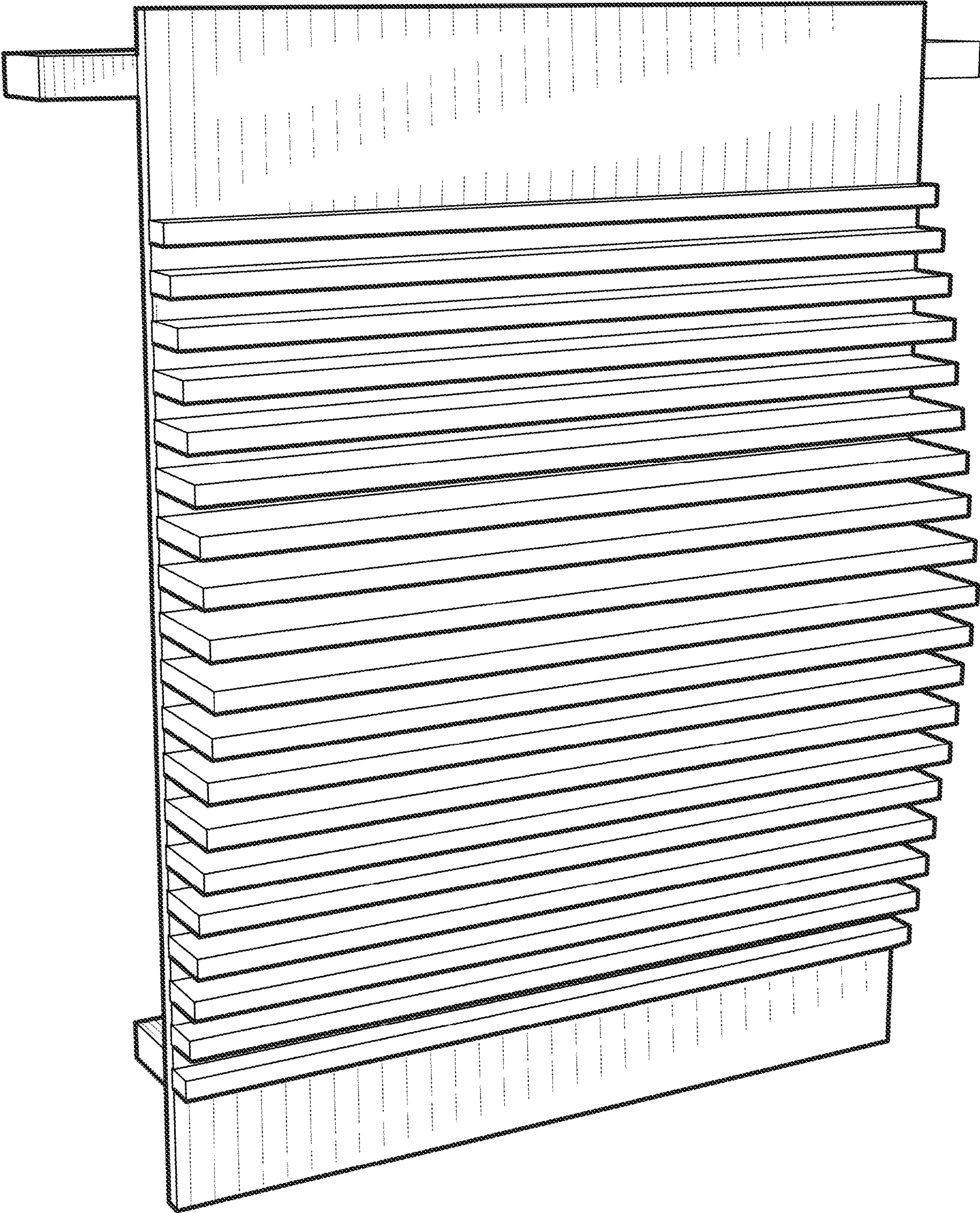


FIG. 1

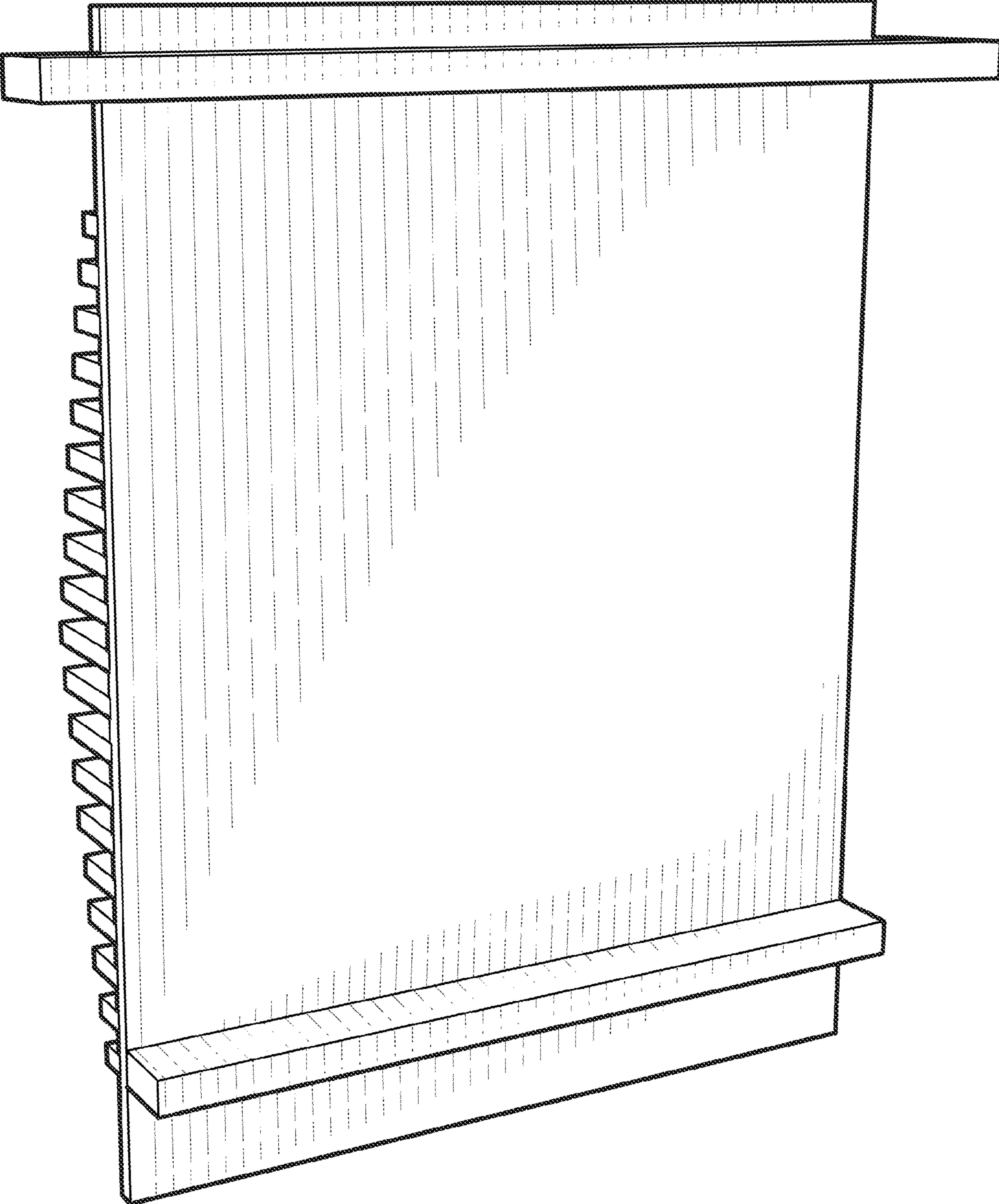


FIG. 2

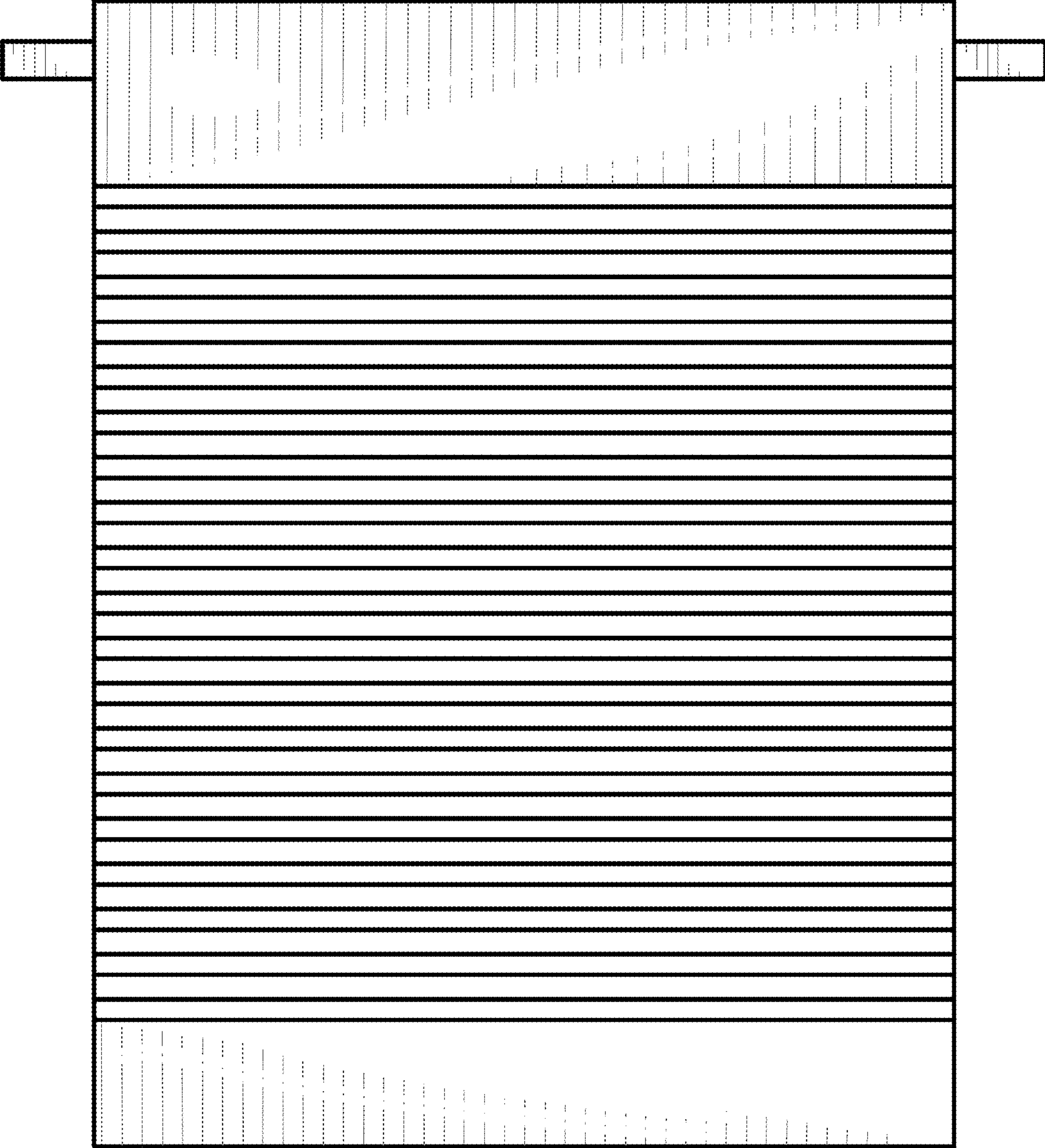


FIG. 3

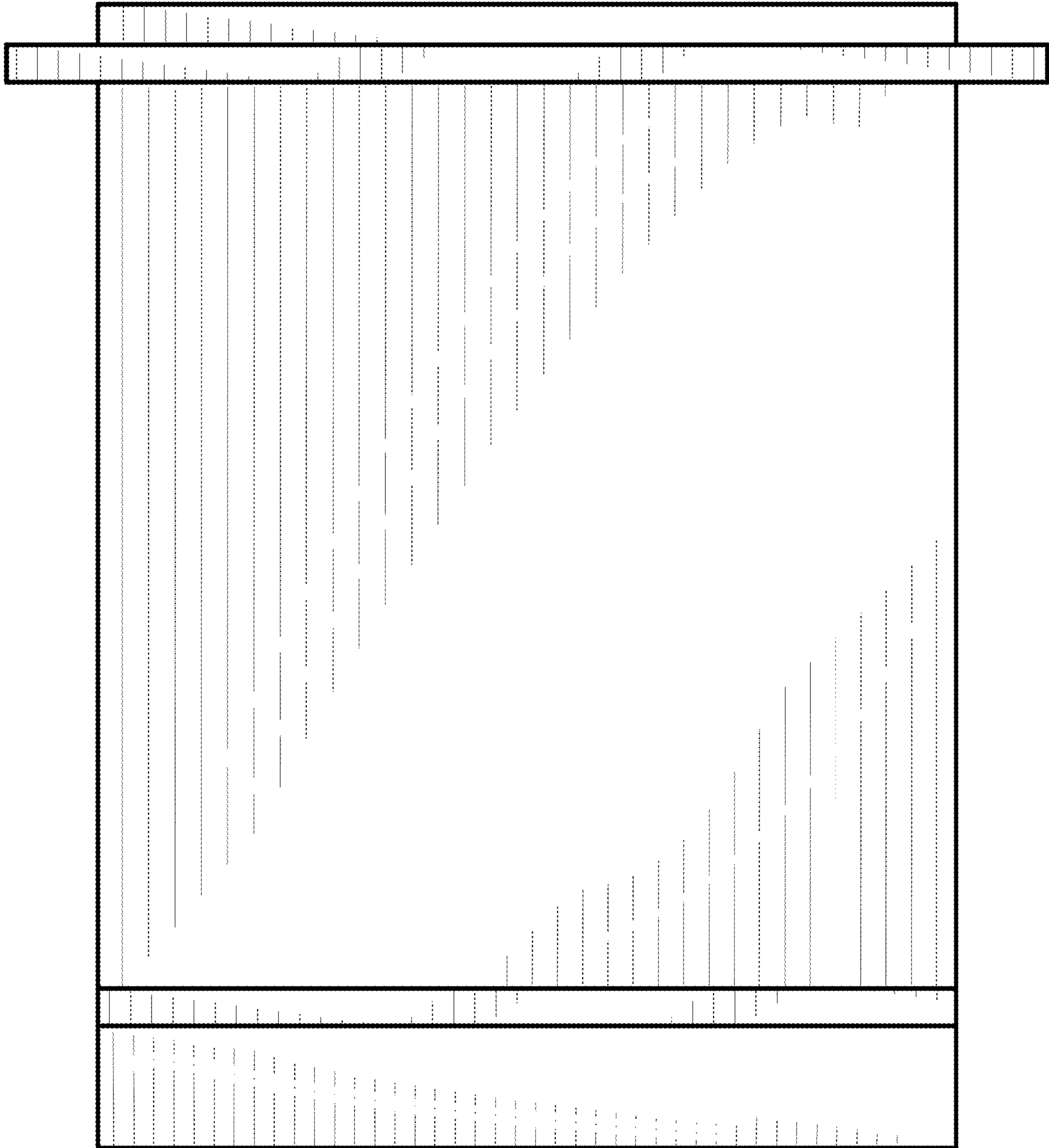


FIG. 4

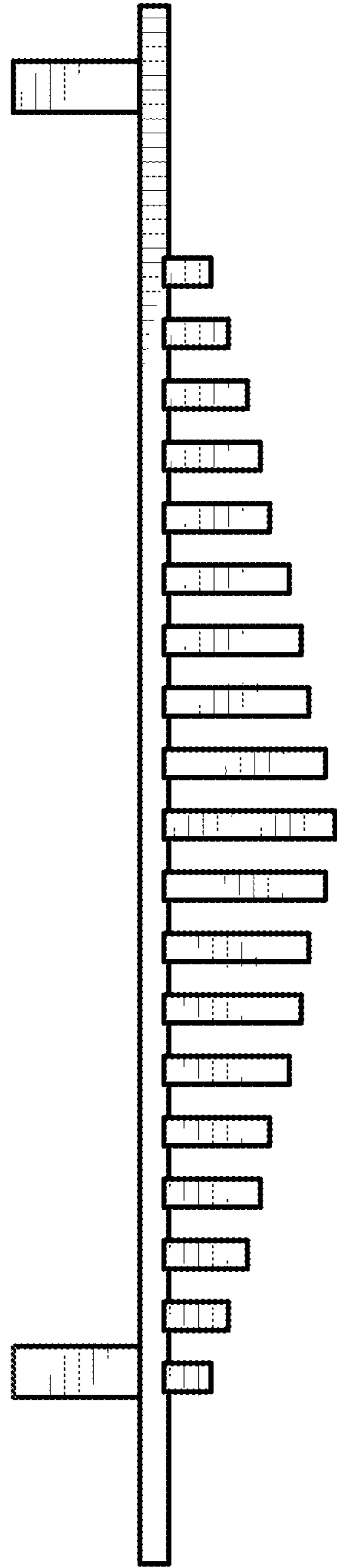


FIG. 5

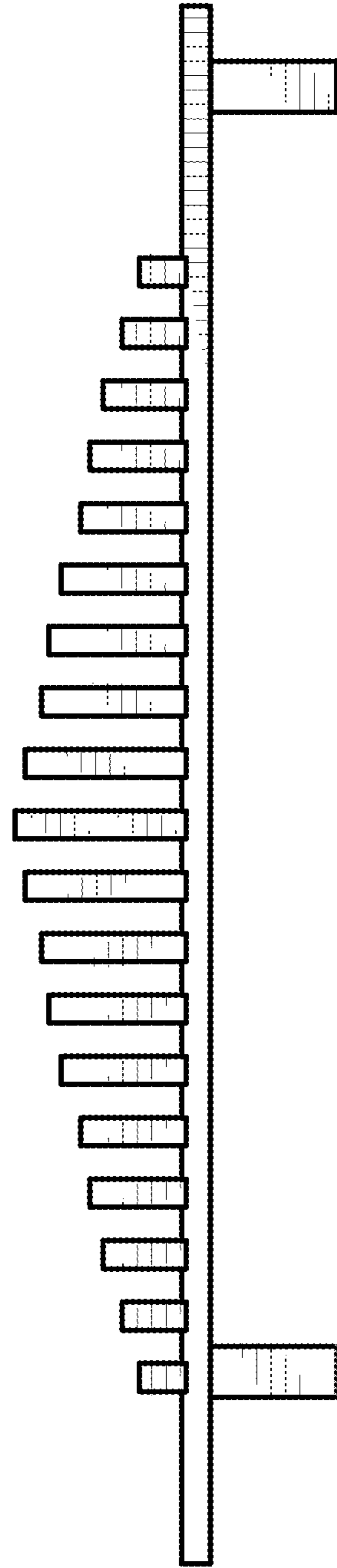


FIG. 6

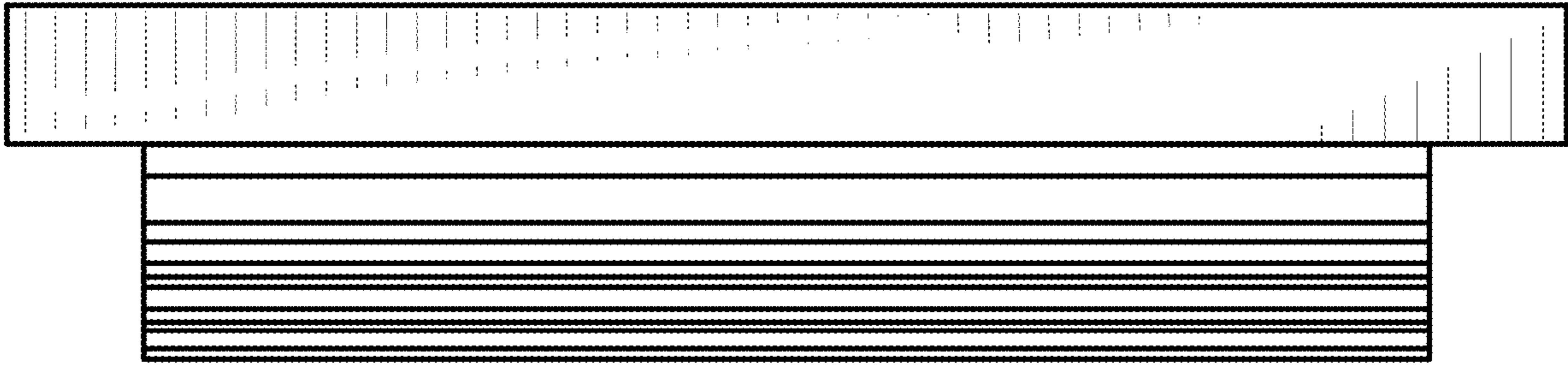


FIG. 7

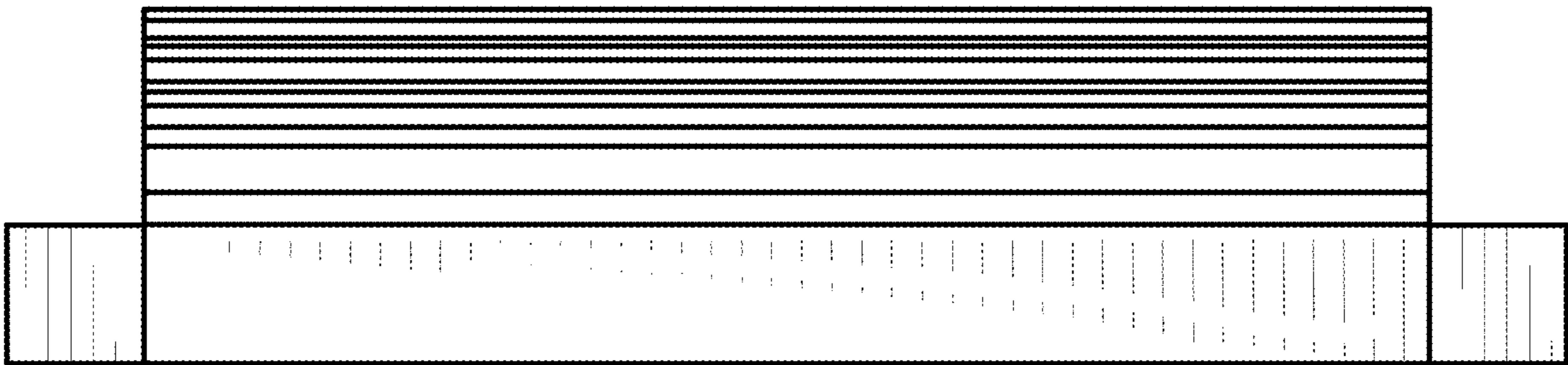


FIG. 8