



US00D895331S

(12) **United States Design Patent** (10) **Patent No.:** **US D895,331 S**
Felsenthal et al. (45) **Date of Patent:** **** Sep. 8, 2020**

(54) **OVER MACHINE GARMENT RACK**

(71) Applicant: **Whitmor, Inc.**, Southaven, MS (US)

(72) Inventors: **Sandy Felsenthal**, Memphis, TN (US);
Gil Gaska, Germantown, TN (US)

(73) Assignee: **Whitmor, Inc.**, Southaven, MS (US)

(**) Term: **15 Years**

(21) Appl. No.: **29/660,573**

(22) Filed: **Aug. 21, 2018**

(51) **LOC (12) Cl.** **06-06**

(52) **U.S. Cl.**
USPC **D6/678.4**

(58) **Field of Classification Search**
USPC D6/675, 675.1, 675.2, 675.5, 678, 678.4,
D6/680, 680.3, 681, 681.1, 681.2;
108/29, 59, 91-93, 181; 211/85.2, 85.3,
211/85.6
CPC A47B 57/00; A47B 96/00; A47B 61/00;
A47B 61/02; A47B 61/04; A47F 5/0081;
A47F 5/01; A47F 5/0006; A47F 7/19
See application file for complete search history.

(56) **References Cited**

U.S. PATENT DOCUMENTS

2,893,568	A *	7/1959	Scholz	A47F 5/13 211/204
3,146,892	A *	9/1964	White	A47F 7/24 211/204
3,197,035	A *	7/1965	Wolf	A47G 25/0664 211/204
3,303,938	A *	2/1967	Solomon	B62B 3/188 211/182
4,054,209	A *	10/1977	Solomon	A47F 7/24 211/208

(Continued)

Primary Examiner — Kelley A Donnelly

(74) *Attorney, Agent, or Firm* — Stites & Harbison
PLLC; Richard S. Myers, Jr.

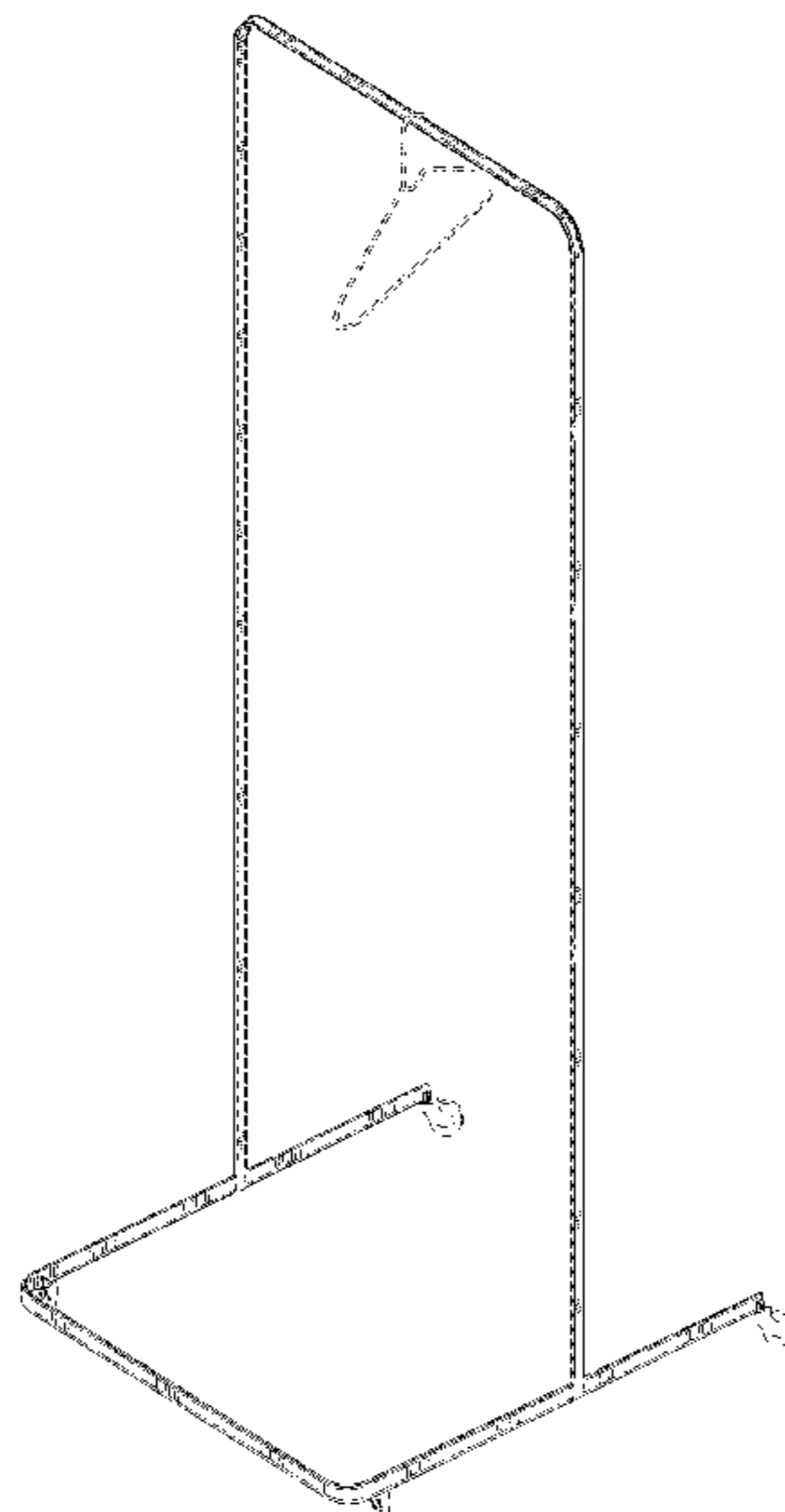
(57) **CLAIM**

The design for an over machine garment rack, as shown and described.

DESCRIPTION

FIG. 1 is a front perspective view of the design of the over machine garment rack of the present invention;
 FIG. 2 is a front elevation view of the over machine garment rack embodiment shown in FIG. 1;
 FIG. 3 is a rear elevation view of the over machine garment rack embodiment shown in FIG. 1;
 FIG. 4 is a side elevation view of the over machine garment rack embodiment shown in FIG. 1;
 FIG. 5 is a bottom plan view of the over machine garment rack embodiment shown in FIG. 1;
 FIG. 6 is a top plan view of the over machine garment rack embodiment shown in FIG. 1;
 FIG. 7 is a perspective view of the over machine garment rack embodiment shown in FIG. 1 in environment with an appliance (not claimed);
 FIG. 8 is a front perspective view of a design of the over machine garment rack of the present invention;
 FIG. 9 is a front elevation view of the over machine garment rack embodiment shown in FIG. 8;
 FIG. 10 is a rear elevation view of the over machine garment rack embodiment shown in FIG. 8;
 FIG. 11 is a side elevation view of the over machine garment rack embodiment shown in FIG. 8;
 FIG. 12 is a bottom plan view of the over machine garment rack embodiment shown in FIG. 8; and,
 FIG. 13 is a top plan view of the over machine garment rack embodiment shown in FIG. 8.
 The broken lines depict environmental subject matter only and form no part of the claimed design.
 The break lines shown in FIGS. 8 through 13 are not part of the claimed design and represent that no particular length is claimed.

1 Claim, 11 Drawing Sheets



(56)

References Cited

U.S. PATENT DOCUMENTS

D289,243 S *	4/1987	Arnold	D6/709	D749,879 S *	2/2016	Wall	D6/680.3
D304,528 S *	11/1989	Handler	D6/681.1	D753,940 S *	4/2016	Ruiz	D6/681
D376,929 S *	12/1996	Tranquilli	D6/679	D777,483 S *	1/2017	Bittle	D6/681
5,617,962 A *	4/1997	Chen	A47G 25/0664	D785,381 S *	5/2017	Johnson	D6/681
				211/204	D790,892 S *	7/2017	Chung	D6/681
D450,948 S *	11/2001	Stafford	D6/681.1	D809,835 S *	2/2018	Greenspon	D6/681
D465,947 S *	11/2002	Andersen	D6/675.1	D819,374 S *	6/2018	Kuehn	D6/681.2
D466,331 S *	12/2002	Chang	D6/681.1	D827,342 S *	9/2018	Stukenberg	D6/681
D474,350 S *	5/2003	Sardis	D6/681.1	D827,965 S *	9/2018	Barre	D32/58
6,644,484 B1 *	11/2003	Sardis	A47B 43/00	D829,473 S *	10/2018	Mical	D6/681
				211/189	D874,191 S *	2/2020	Qi	D6/664
D495,524 S *	9/2004	Harwanko	D6/681.1	2006/0065615 A1 *	3/2006	Wang	A47G 25/0664
D543,382 S *	5/2007	Glassenberg	D6/678.4					211/206
D602,713 S *	10/2009	Stukenberg	D6/681.1	2007/0272642 A1 *	11/2007	Baptiste	A47B 43/00
8,959,813 B2 *	2/2015	Denby	A47F 5/10					211/201
				211/175	2012/0074082 A1 *	3/2012	Hornsby	A47G 25/0685
D736,548 S *	8/2015	Hornsby	D6/681.1					211/85.3
					2015/0008201 A1 *	1/2015	Qiang	D06F 57/06
									211/85.3

* cited by examiner

FIG. 1

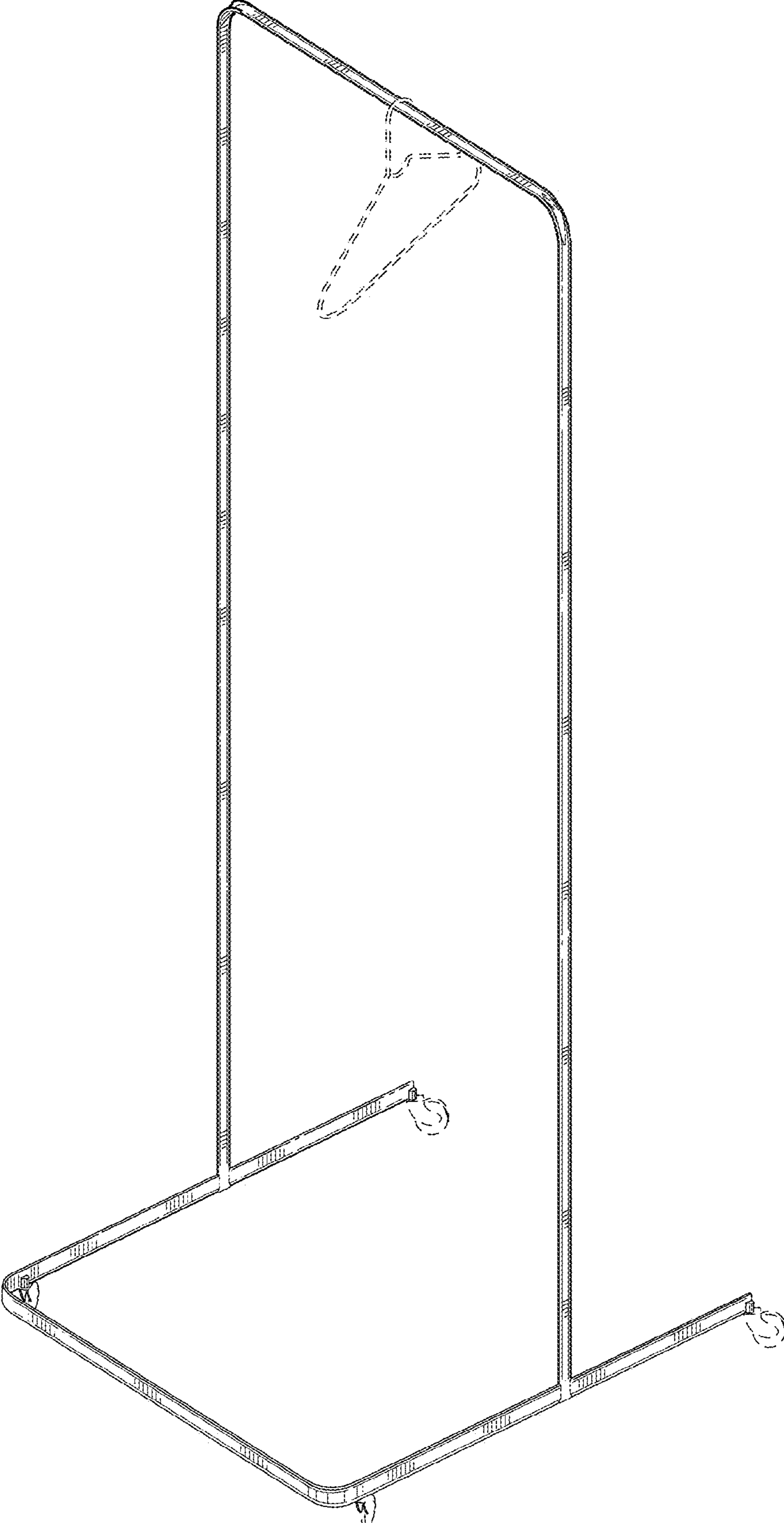


FIG. 2

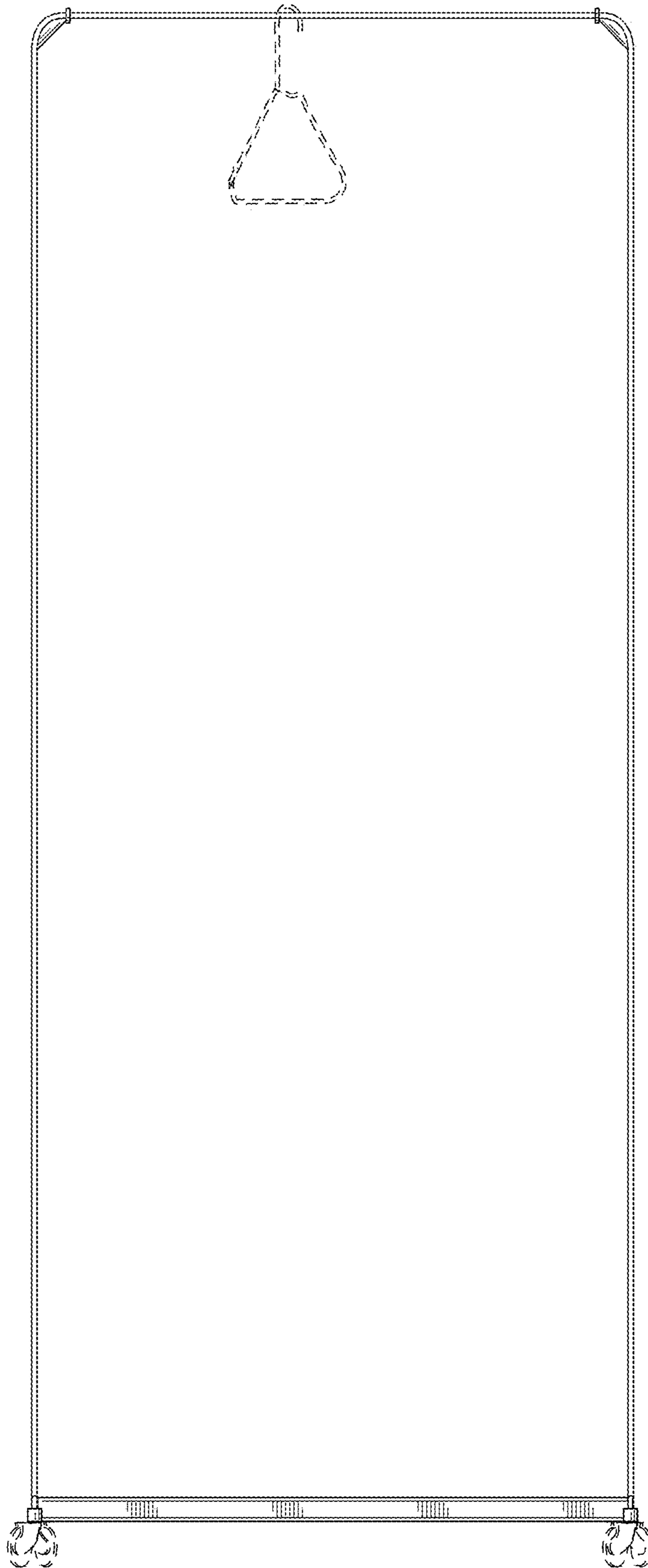


FIG. 3

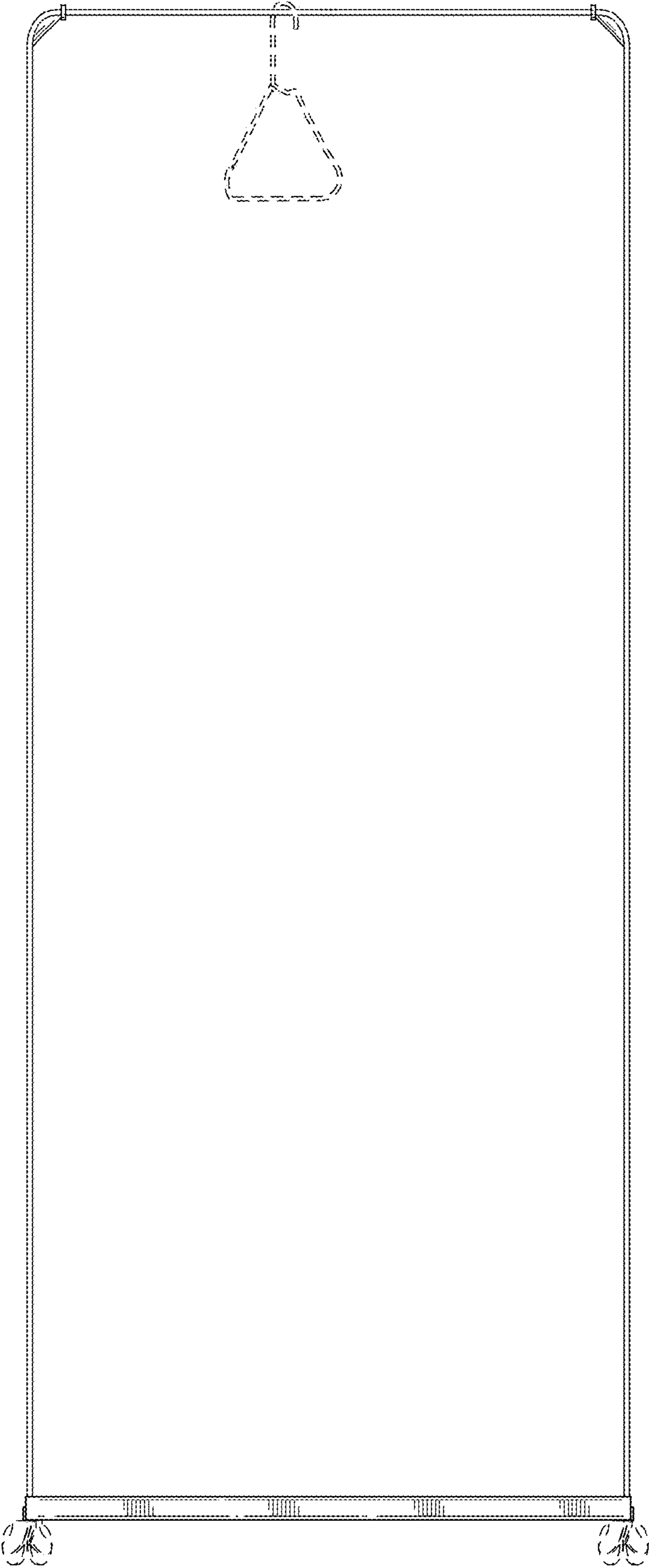


FIG. 4

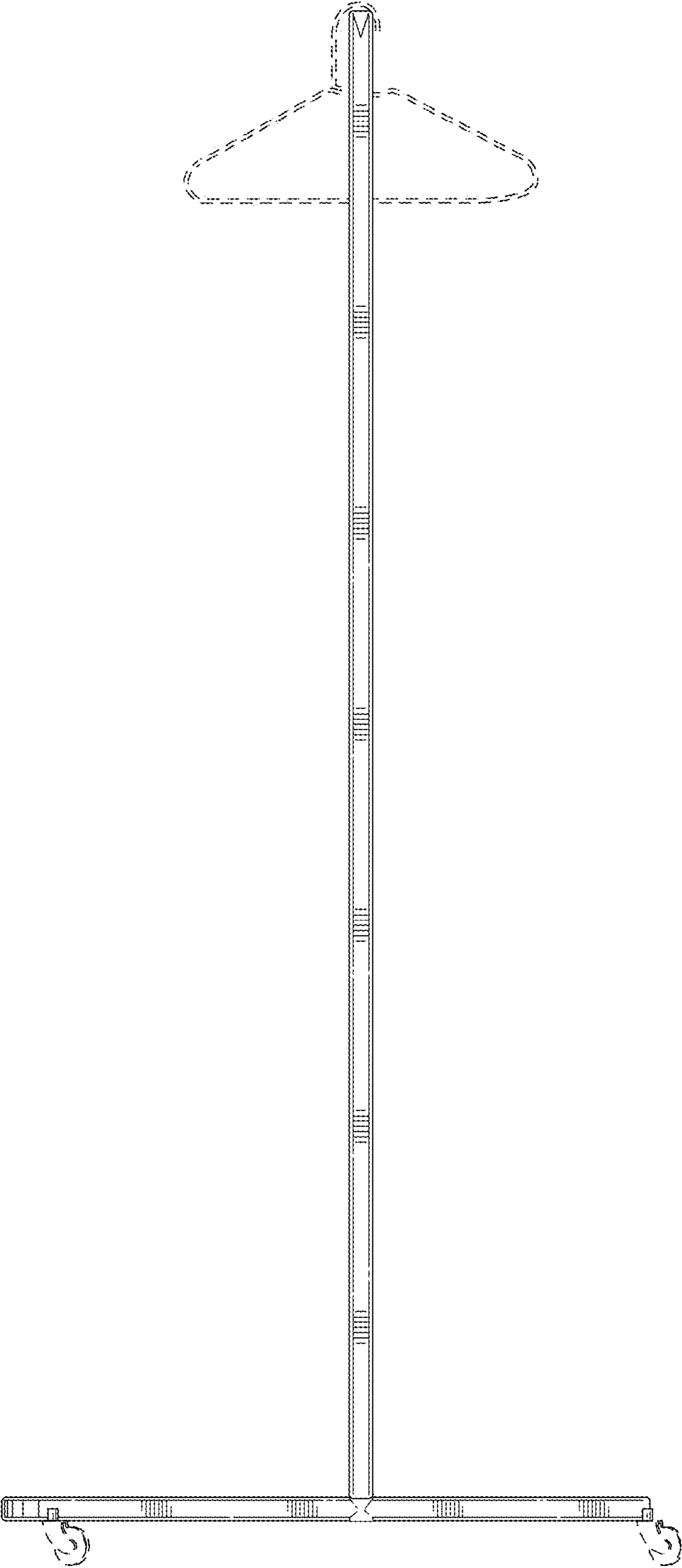


FIG. 5

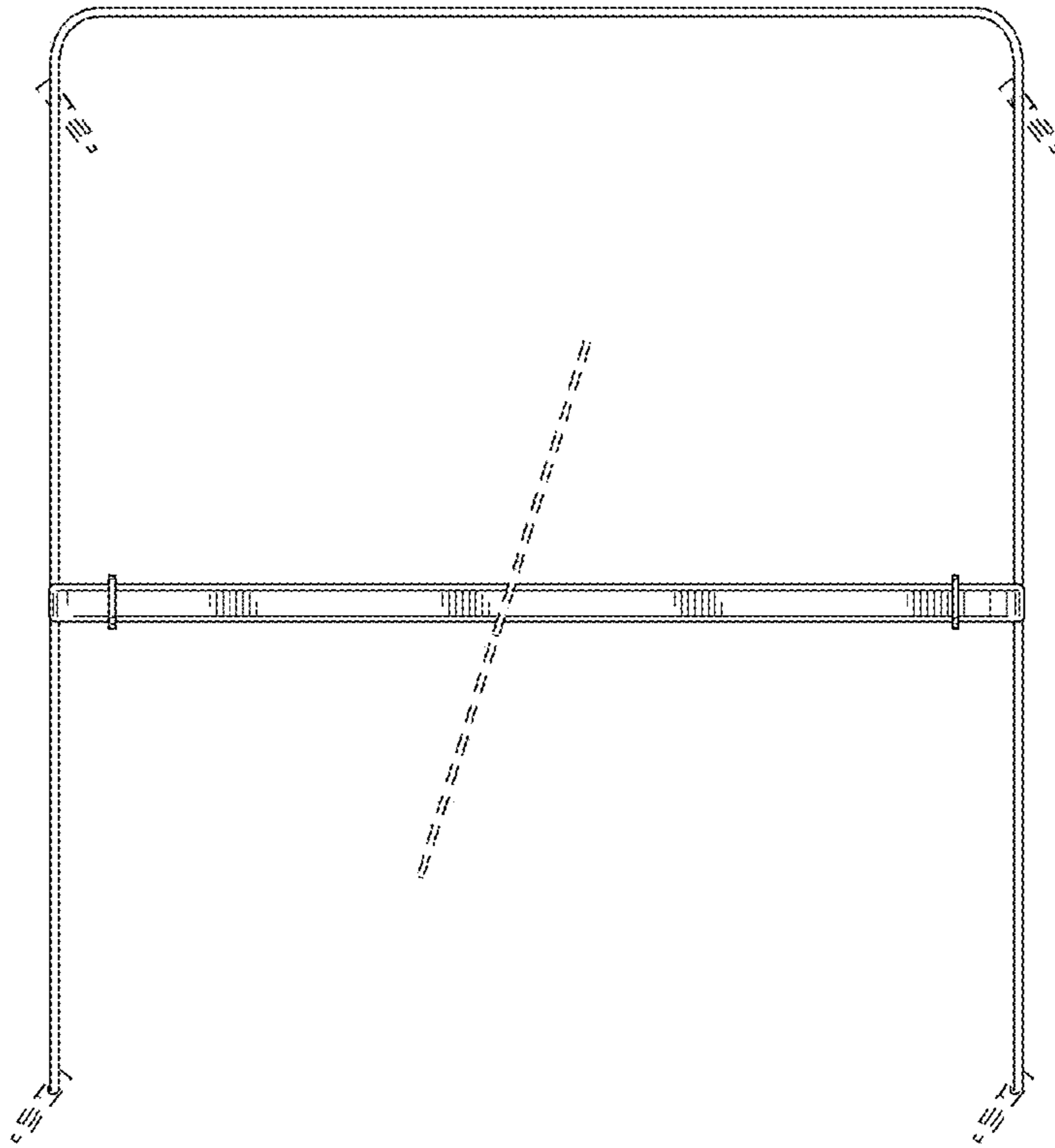


FIG. 6

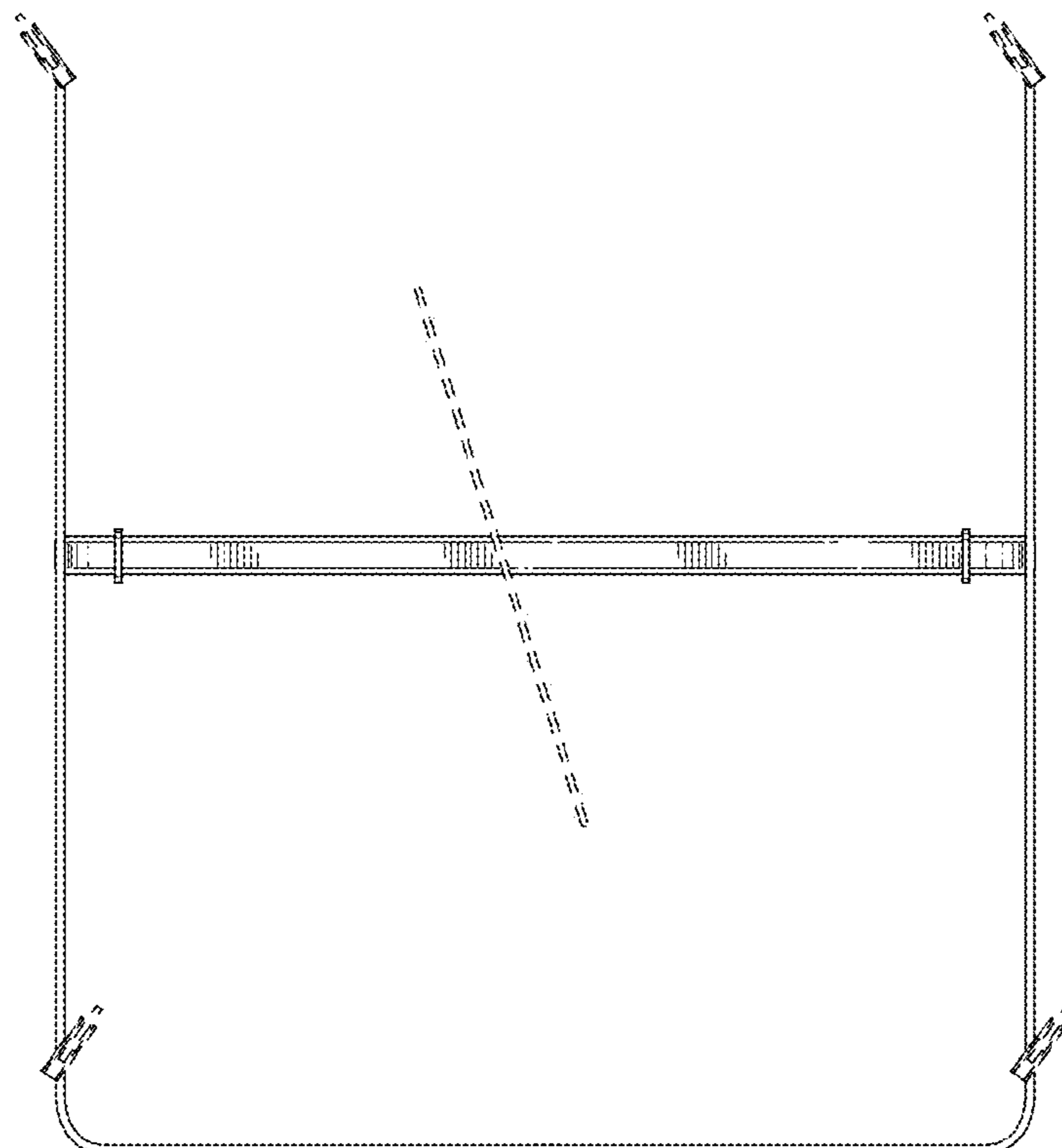


FIG. 7

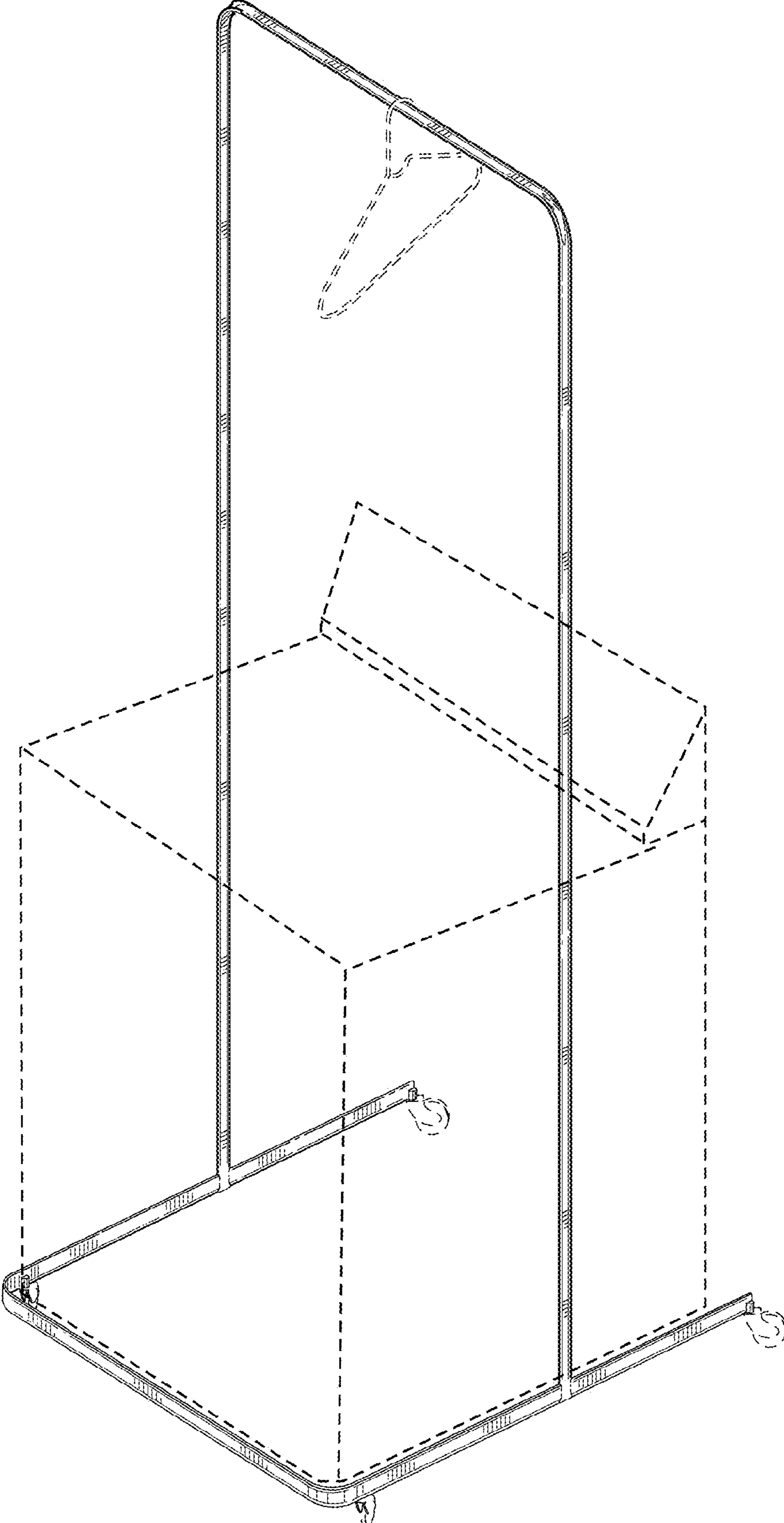


FIG. 8

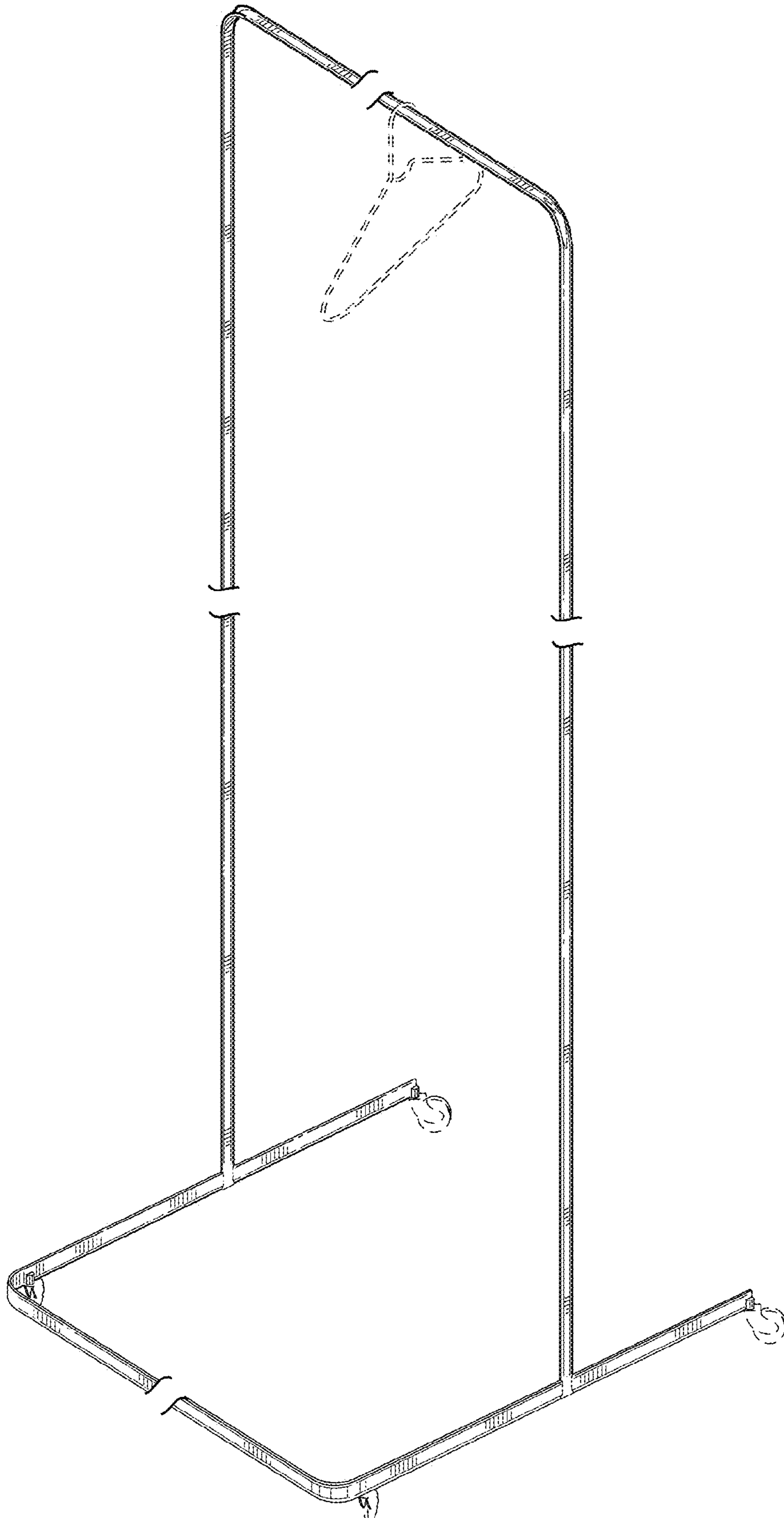


FIG. 9

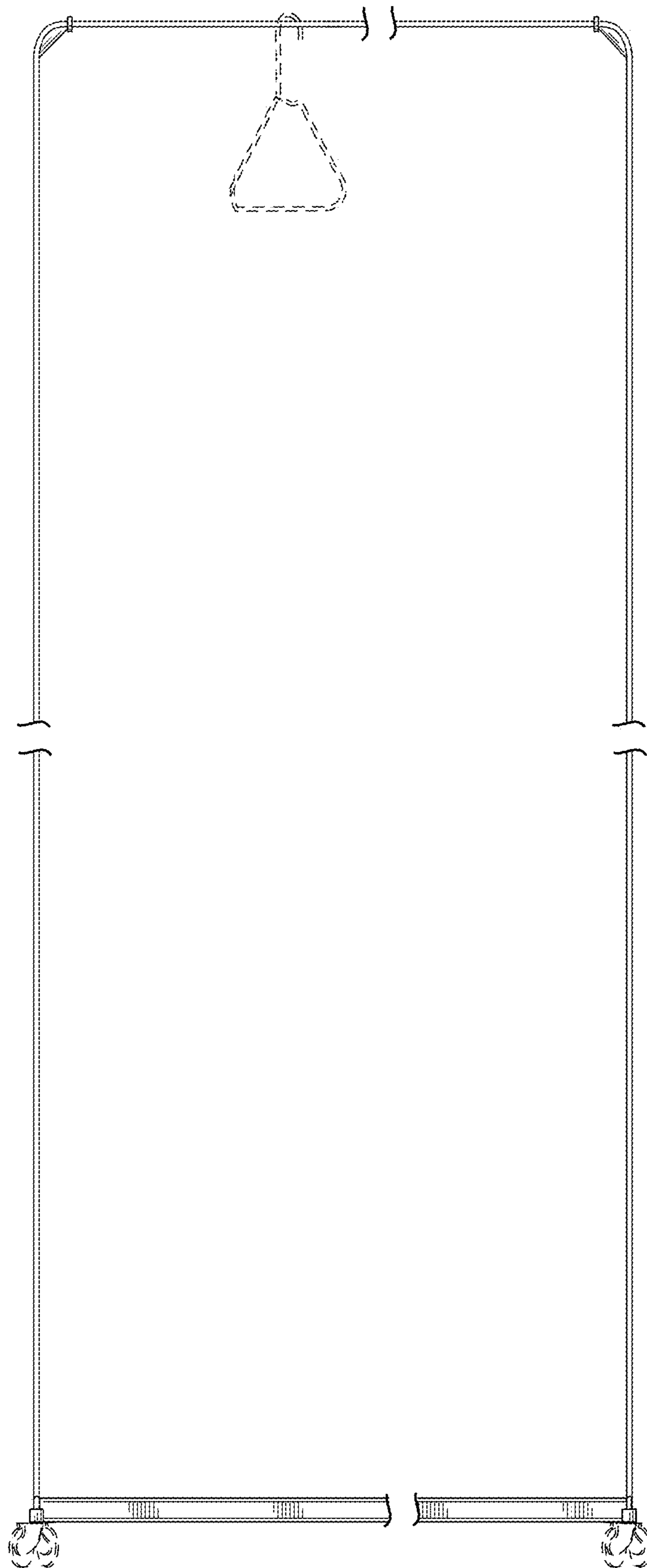


FIG. 10

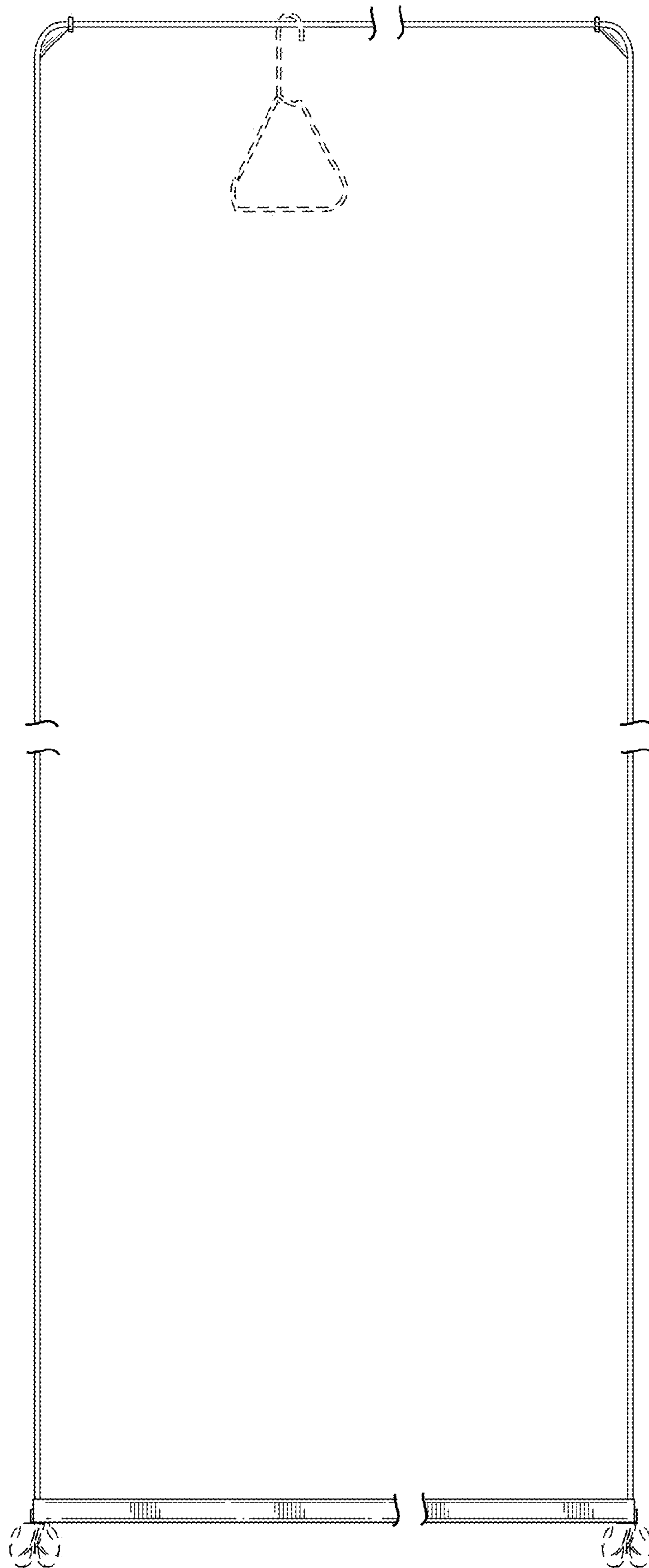


FIG. 11

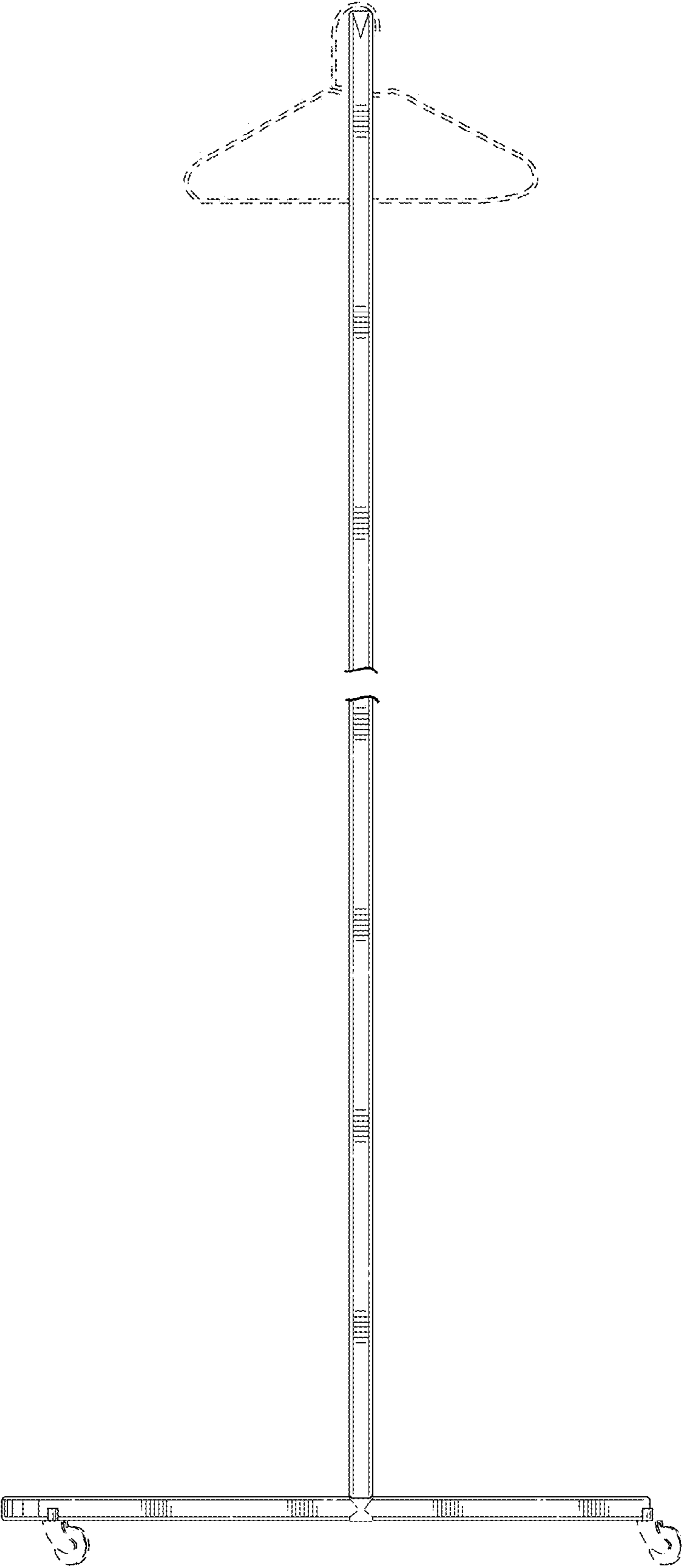


FIG. 12

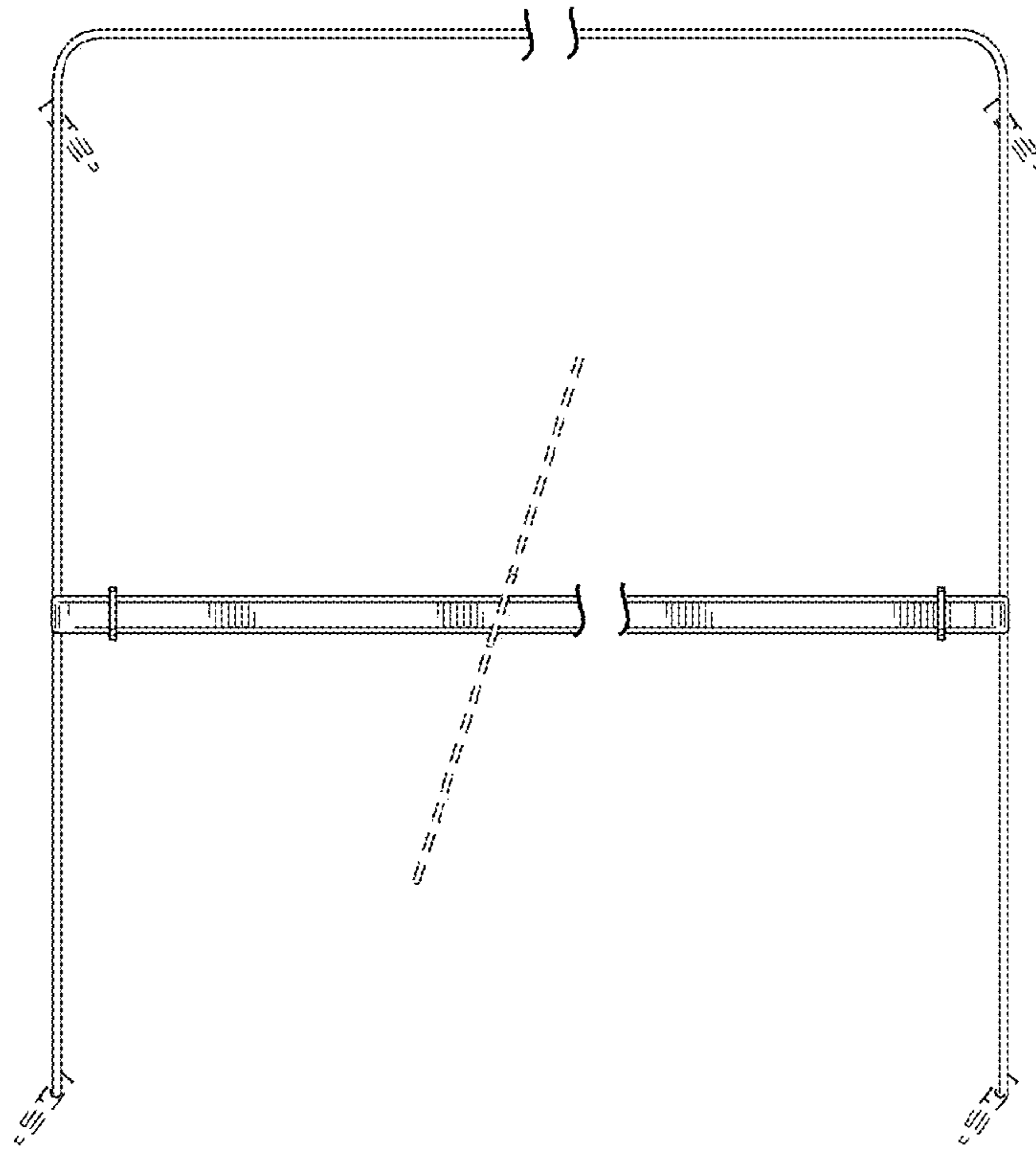


FIG. 13

