



US00D895330S

(12) **United States Design Patent** (10) **Patent No.:** **US D895,330 S**  
**Genord et al.** (45) **Date of Patent:** **\*\* Sep. 8, 2020**

- (54) **DISPLAY READY CASE**
- (71) Applicant: **Walmart Apollo, LLC**, Bentonville, AR (US)
- (72) Inventors: **Jonathan Michael Genord**, Centerton, AR (US); **Westley Allen Simpson**, Lowell, AR (US)
- (73) Assignee: **Walmart Apollo, LLC**, Bentonville, AR (US)
- (\*\*) Term: **15 Years**
- (21) Appl. No.: **29/696,377**
- (22) Filed: **Jun. 27, 2019**
- (51) **LOC (12) Cl.** ..... **06-06**
- (52) **U.S. Cl.**  
USPC ..... **D6/675**
- (58) **Field of Classification Search**  
USPC ..... D6/512, 675, 675.1, 682, 682.1, 683, D6/683.1; D9/414, 415, 418, 423, 432, D9/433  
CPC ..... A47F 5/00; A47F 5/0018; A47F 5/0043; A47F 7/0007; A47F 7/0014; B65D 21/0235; B65G 1/00; A47B 53/00; A47B 53/02

See application file for complete search history.

(56) **References Cited**

**U.S. PATENT DOCUMENTS**

- 1,000,624 A \* 8/1911 Spiegel ..... B65D 5/725 229/122.1
- 2,457,291 A \* 12/1948 Wenzel ..... B65D 5/4801 206/45.29
- 3,226,007 A 12/1965 Thies
- 3,829,006 A \* 8/1974 Spiegel ..... B65D 5/542 229/242

- D244,355 S \* 5/1977 Mazie ..... D9/432
- 4,213,559 A \* 7/1980 Meyers ..... B65D 5/48014 229/117.18
- D302,949 S \* 8/1989 Eisendrath ..... D9/733

(Continued)

**OTHER PUBLICATIONS**

Application and Filing Receipt for U.S. Appl. No. 62/867,379, 40 pages.

(Continued)

*Primary Examiner* — Kelley A Donnelly

(74) *Attorney, Agent, or Firm* — Patterson Thuent Pedersen, P.A.

(57) **CLAIM**

The ornamental design for a display ready case, as shown and described.

**DESCRIPTION**

FIG. 1 is an isometric view depicting a display ready case, according to an embodiment of the disclosure.

FIG. 2 is a right side view of the display ready case of FIG. 1.

FIG. 3 is a front view of the display ready case of FIG. 1.

FIG. 4 is a left side view of the display ready case of FIG. 1.

FIG. 5 is a rear view of the display ready case of FIG. 1.

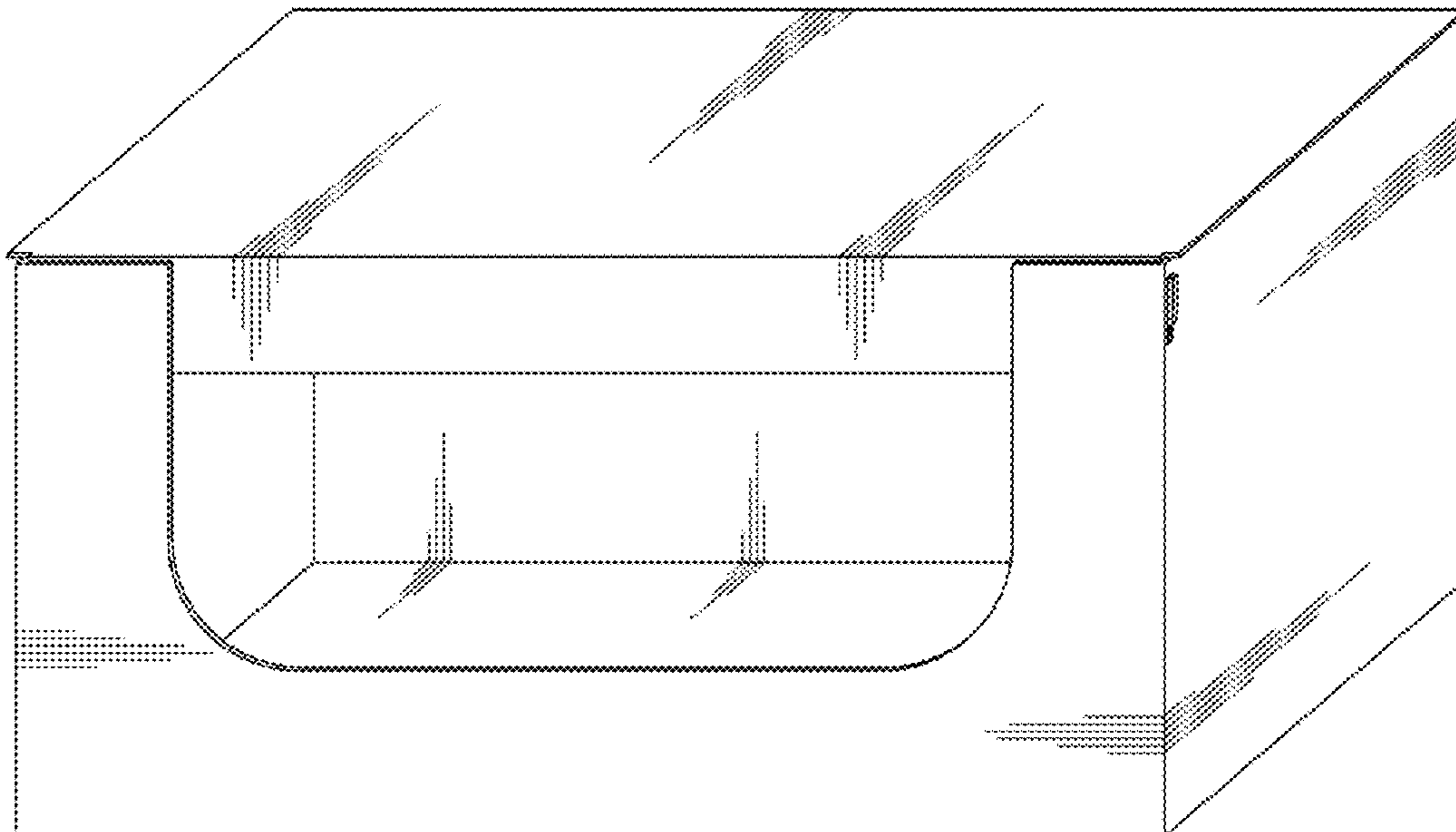
FIG. 6 is a top view of the display ready case of FIG. 1.

FIG. 7 is a bottom view of the display ready case of FIG. 1.

FIG. 8 is an enlarged portion view of the display ready case taken from encircled portion labeled FIG. 8 in FIG. 1; and, FIG. 9 is an exploded, isometric view of the display ready case of FIG. 1.

In each of the figures, portions or features shown in even broken lines form no part of the claimed design. The dashed-dot lines depict the boundary of the enlarged portion view of FIG. 8 and form no part of the claimed design.

**1 Claim, 6 Drawing Sheets**



(56)

References Cited

U.S. PATENT DOCUMENTS

5,020,719 A \* 6/1991 Roth ..... B65D 5/5213  
 221/302  
 D320,556 S \* 10/1991 Fairhurst ..... D6/559  
 D332,916 S \* 2/1993 Barnskog ..... D9/417  
 5,651,497 A \* 7/1997 Ventura ..... B65D 5/5415  
 229/235  
 D381,850 S \* 8/1997 Alig ..... D6/517  
 D381,901 S \* 8/1997 Alig ..... D9/414  
 6,073,833 A 6/2000 Desrosiers  
 D495,951 S \* 9/2004 Miller ..... D9/418  
 D521,377 S \* 5/2006 Jones ..... D9/432  
 7,628,746 B2 12/2009 Varanasi  
 D629,296 S \* 12/2010 De Muynck ..... D9/423  
 D680,859 S \* 4/2013 Levy ..... D9/423  
 8,430,297 B2 \* 4/2013 Gatrost ..... B65D 5/5445  
 229/240  
 8,474,688 B2 7/2013 Cameron  
 8,556,080 B2 10/2013 Sinclair

D697,792 S \* 1/2014 Levy ..... D9/423  
 9,061,791 B2 6/2015 Cameron  
 D783,395 S \* 4/2017 Wang ..... D9/418  
 D793,774 S \* 8/2017 Kelly ..... D6/675  
 D842,011 S \* 3/2019 Fux ..... D6/675  
 D865,413 S \* 11/2019 Chapuis ..... D6/675  
 D867,125 S \* 11/2019 Sill ..... D9/418  
 D871,207 S \* 12/2019 Vandebos ..... D9/418  
 D871,209 S \* 12/2019 Huang ..... D9/431  
 D881,000 S \* 4/2020 Sill ..... D9/418

OTHER PUBLICATIONS

Pizza Box, as available at <https://www.turbosquid.com/3d-models/3d-model-domino-pizza-box/635546>, as retrieved on Nov. 8, 2019, 5 pages.  
 Delkor: Shipping Case/Retail-Ready Display, dated Apr. 7, 2014, 22 pages.

\* cited by examiner

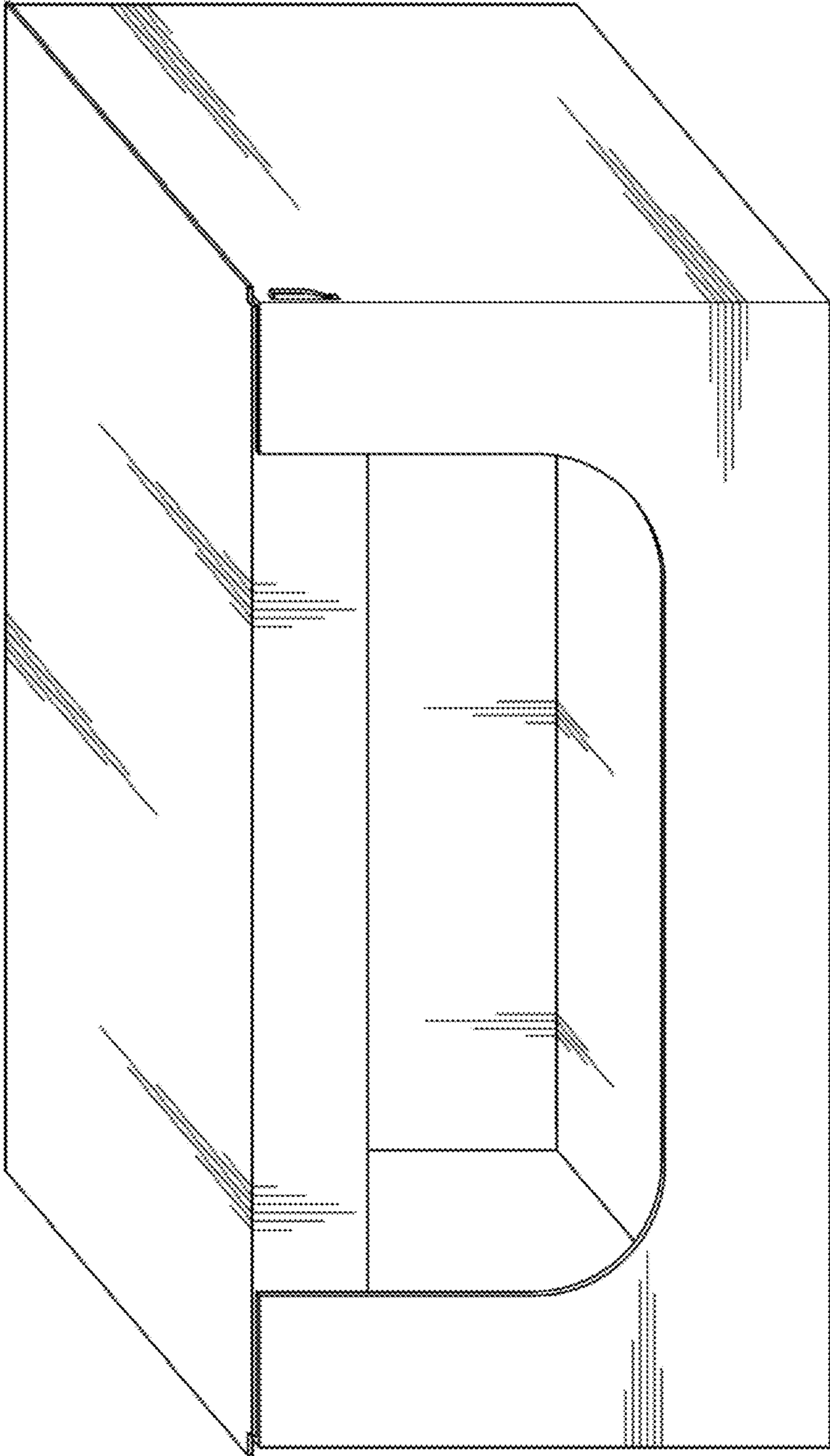


FIG. 1

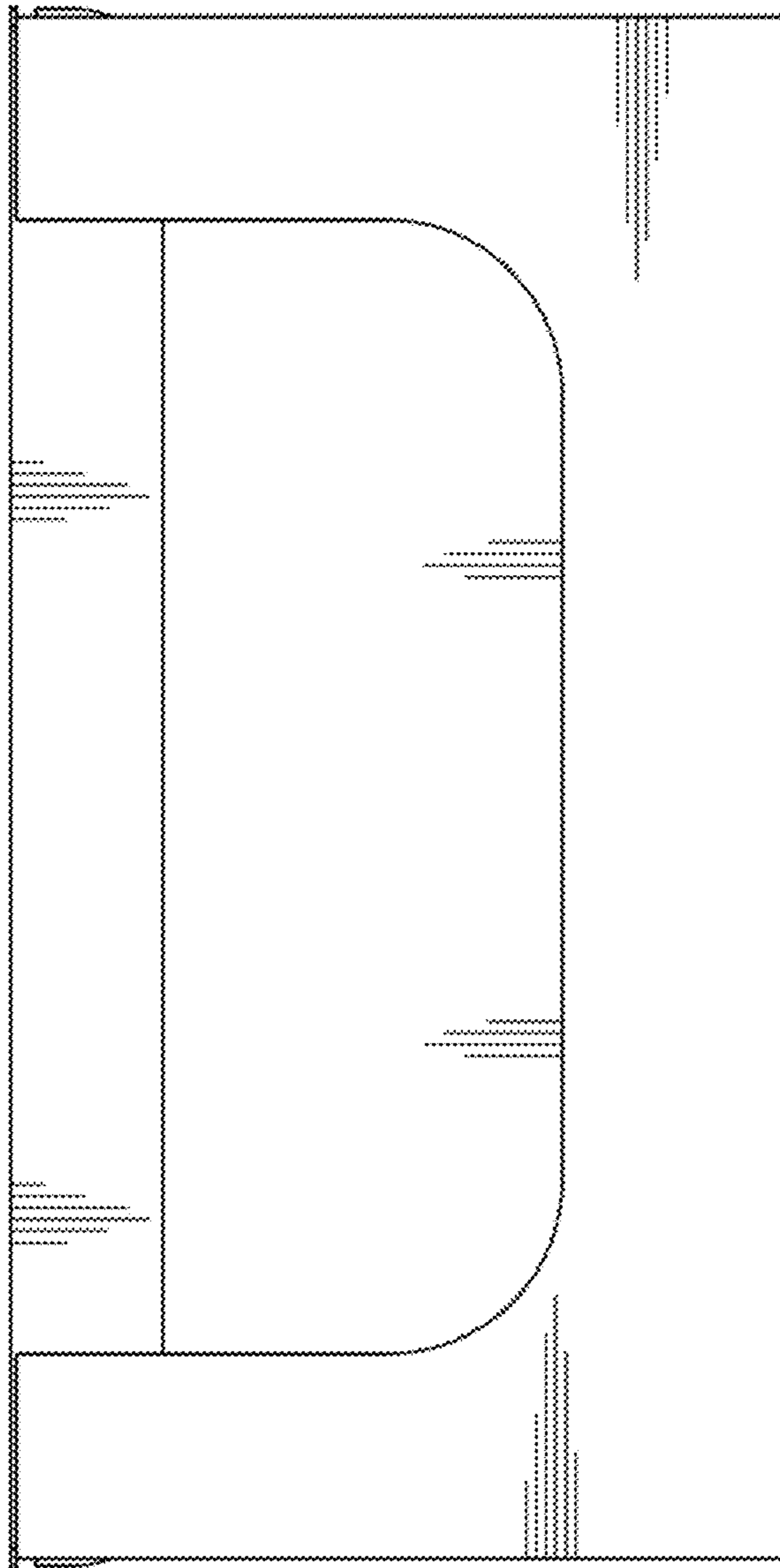


FIG. 2

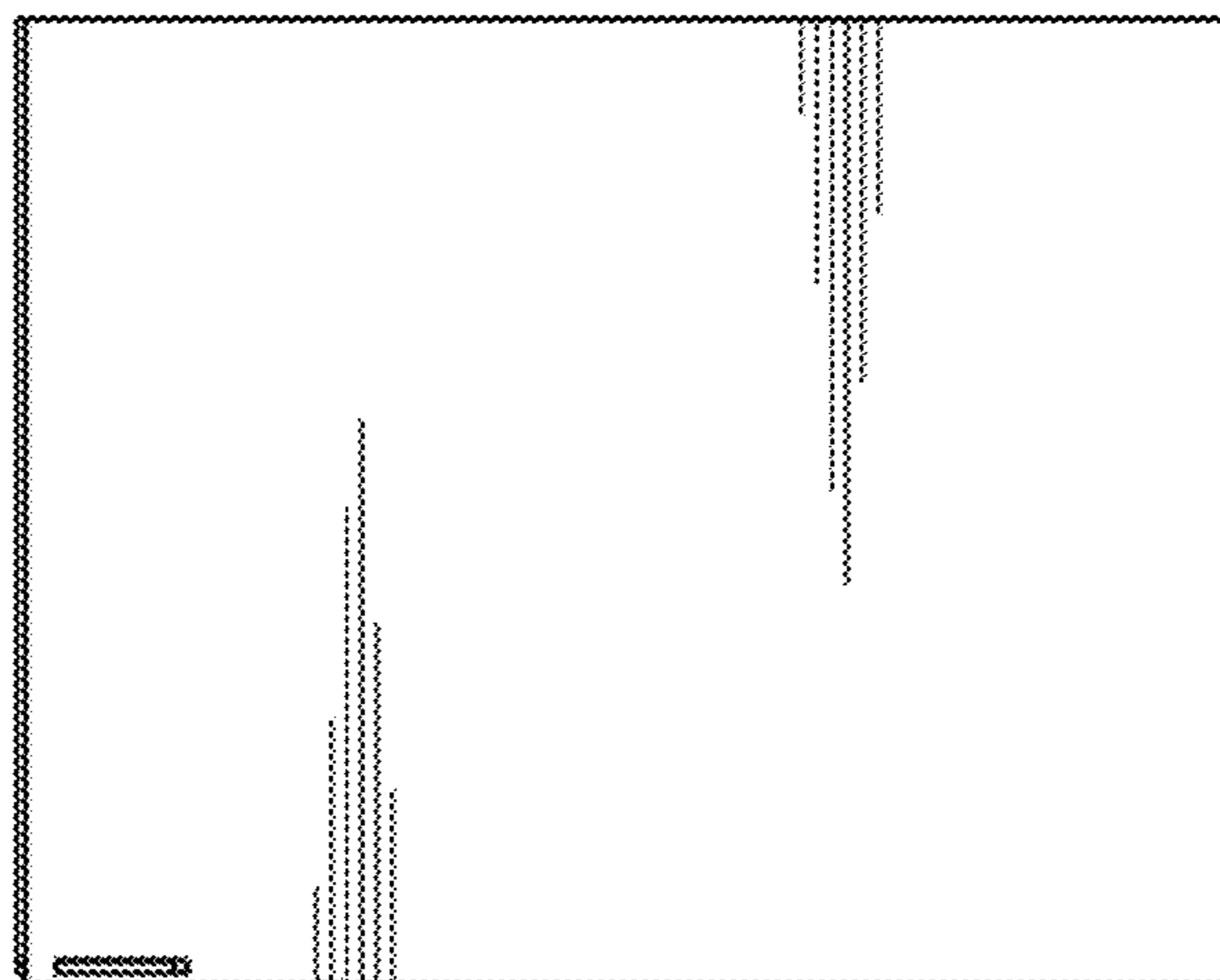


FIG. 3



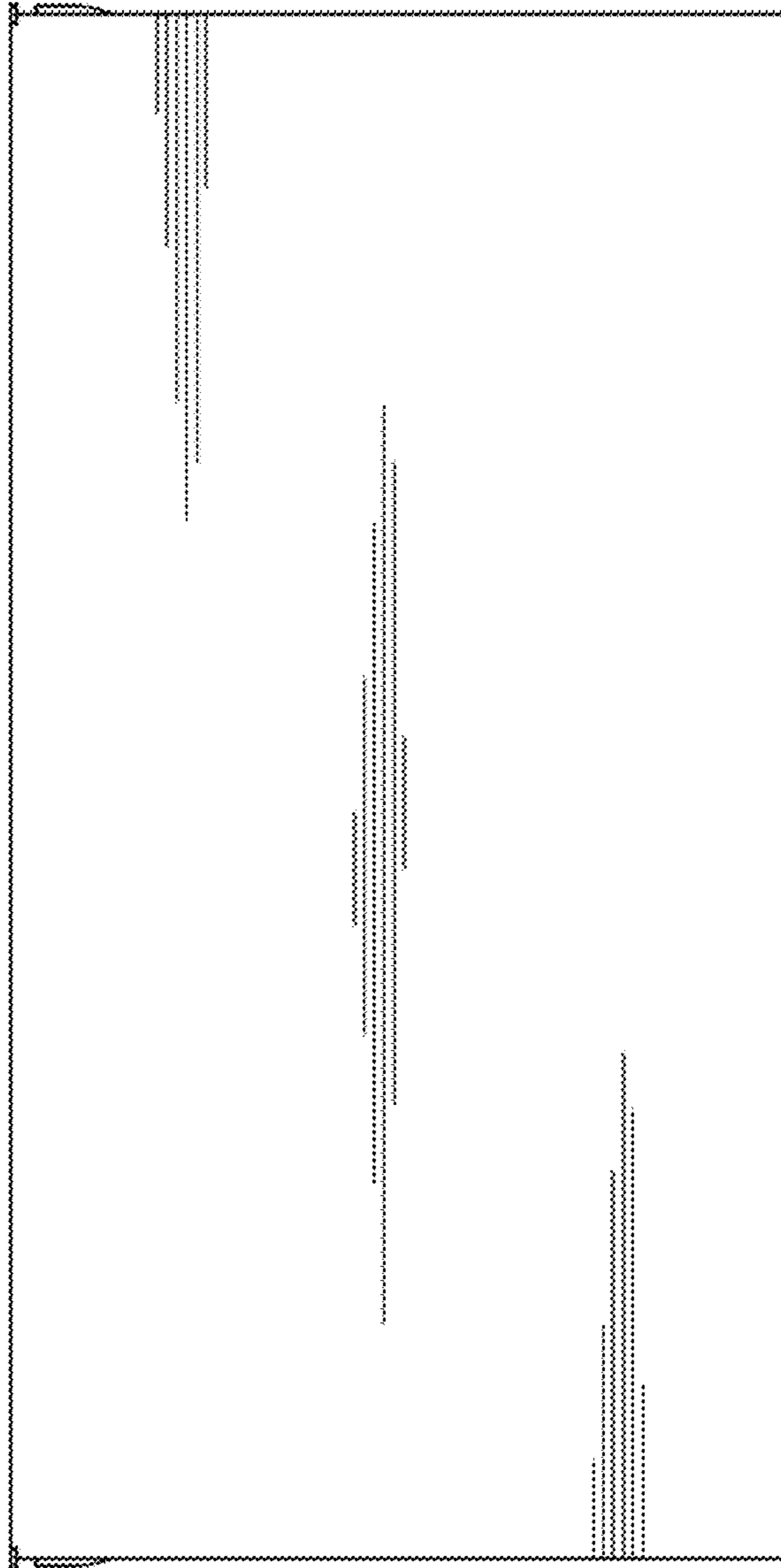


FIG. 4

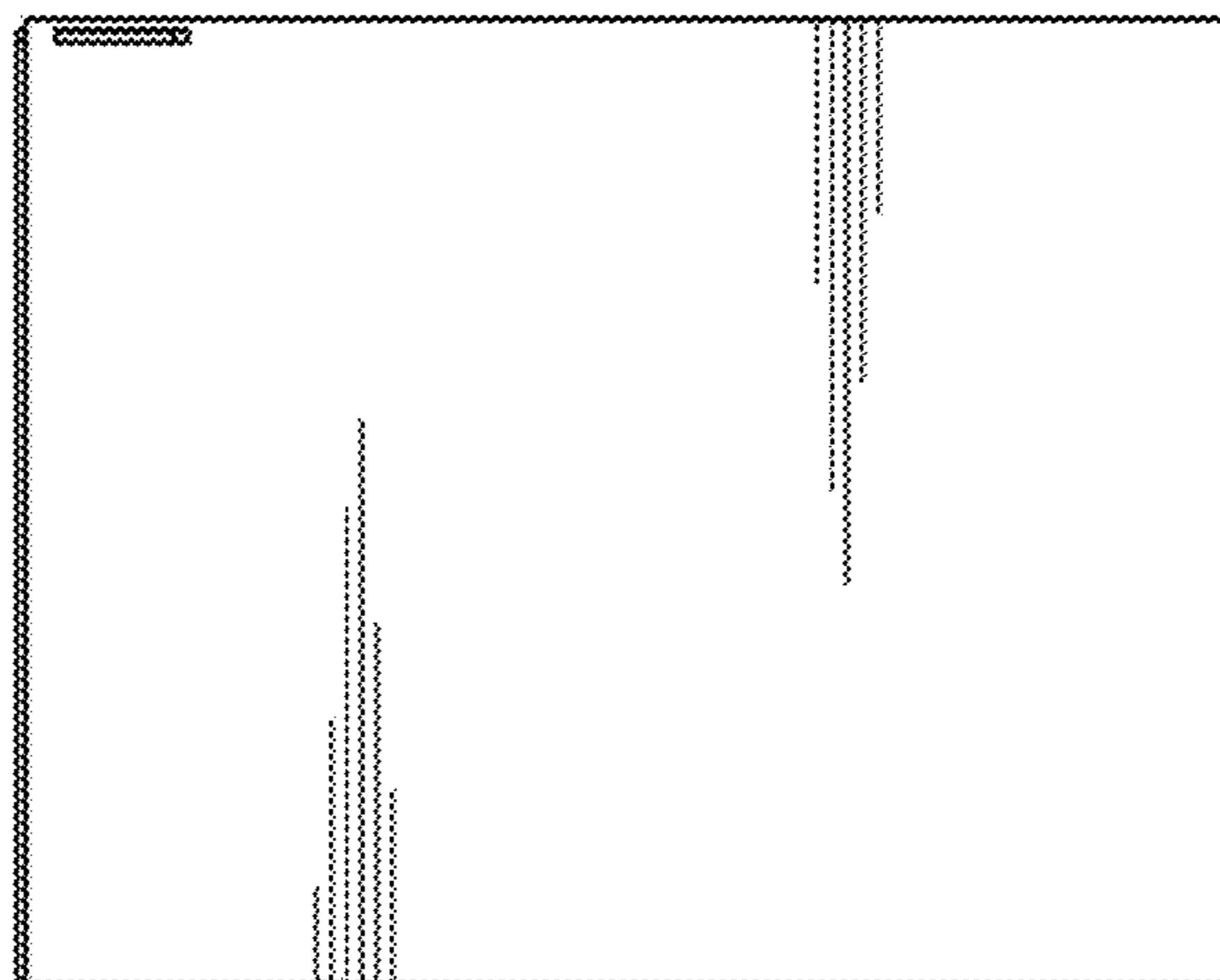
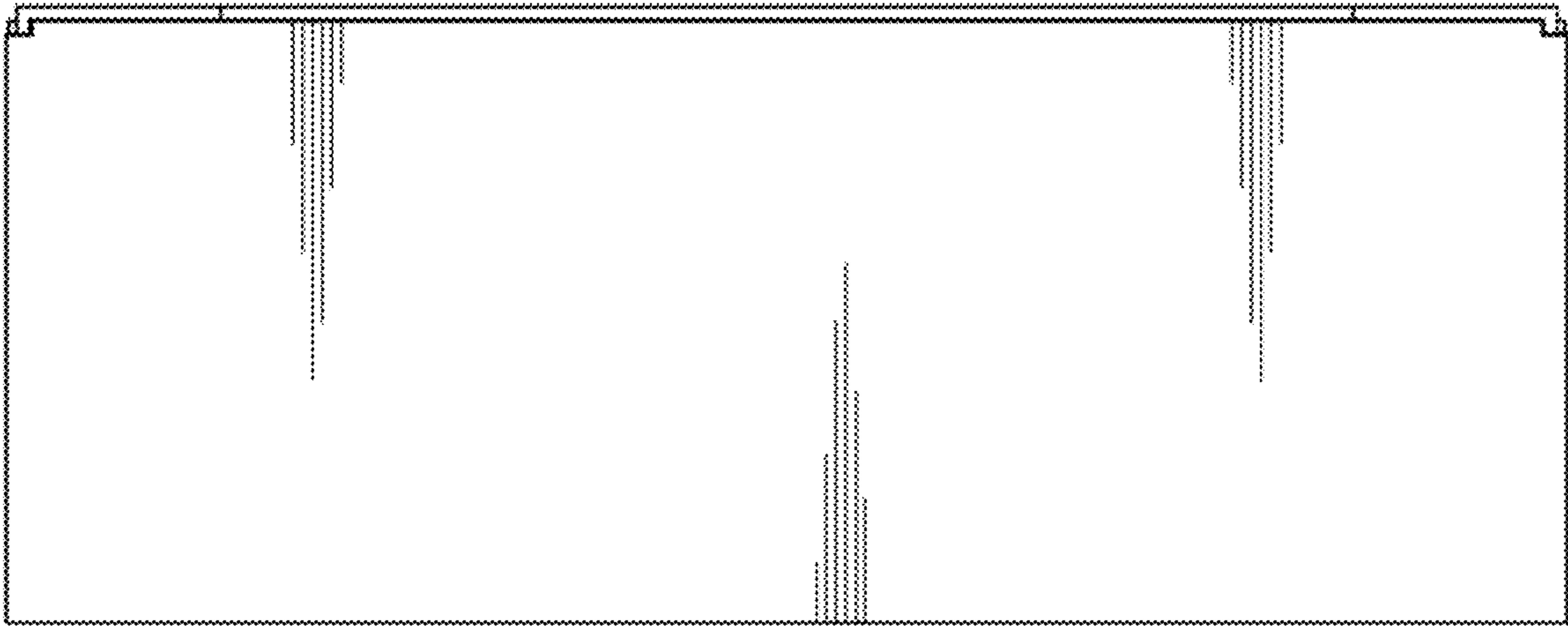
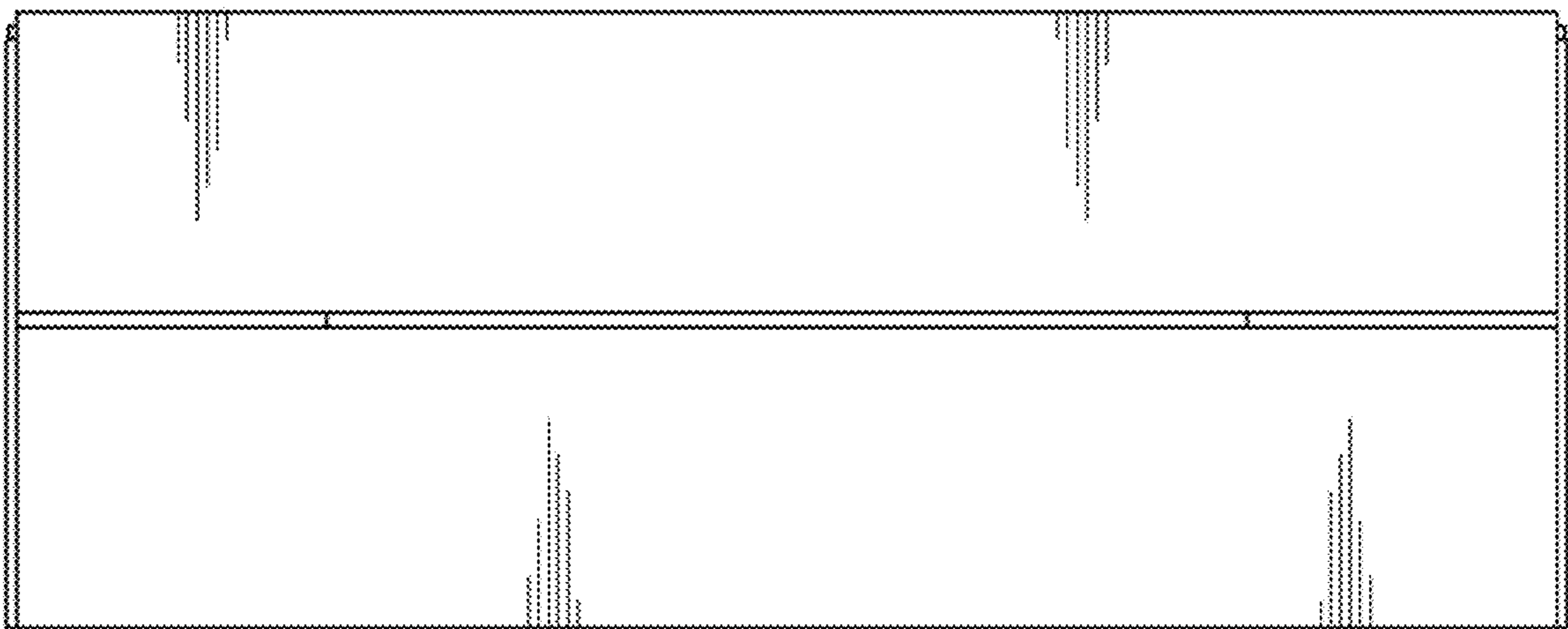


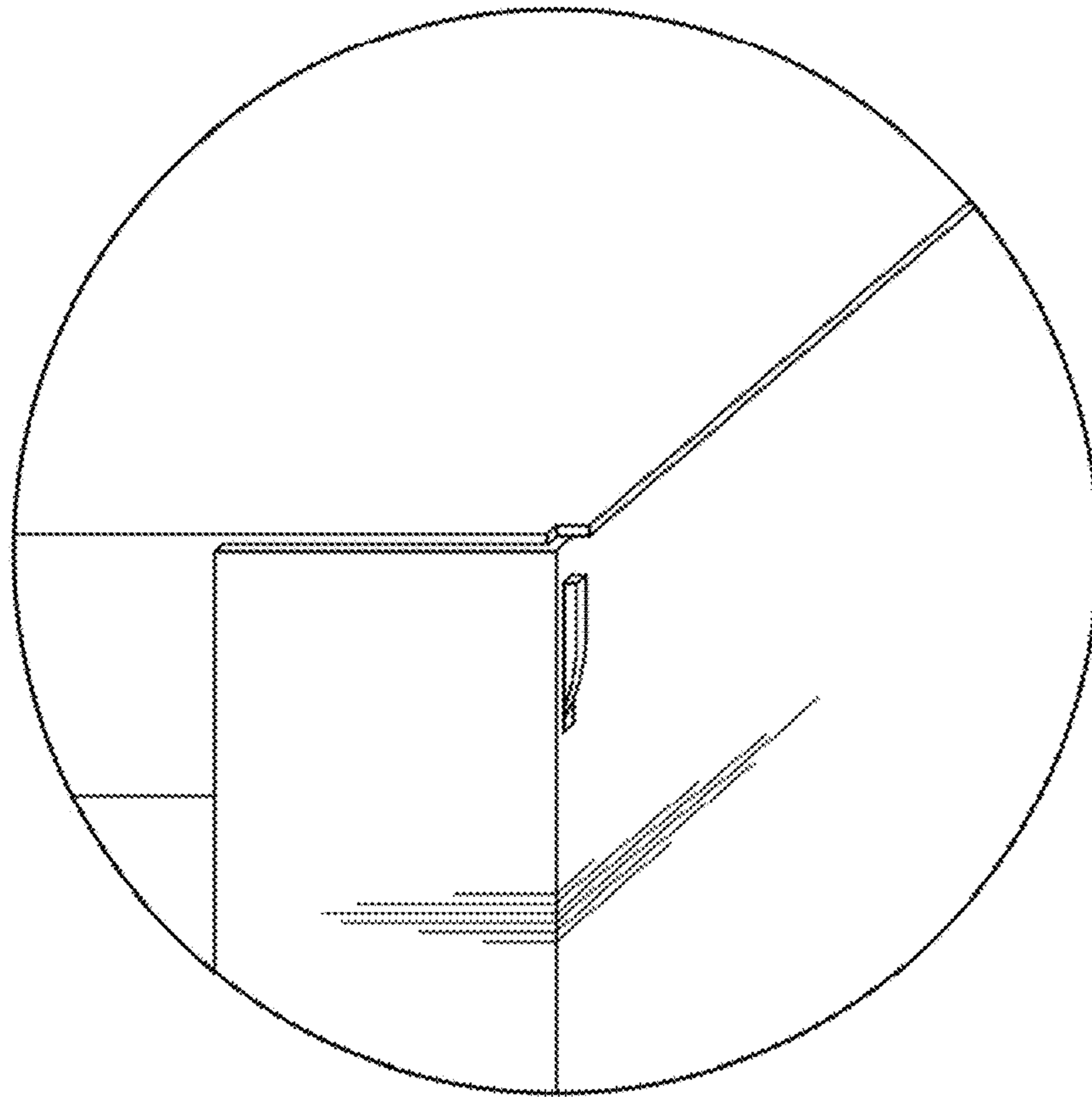
FIG. 5



*FIG. 6*



*FIG. 7*



*FIG. 8*

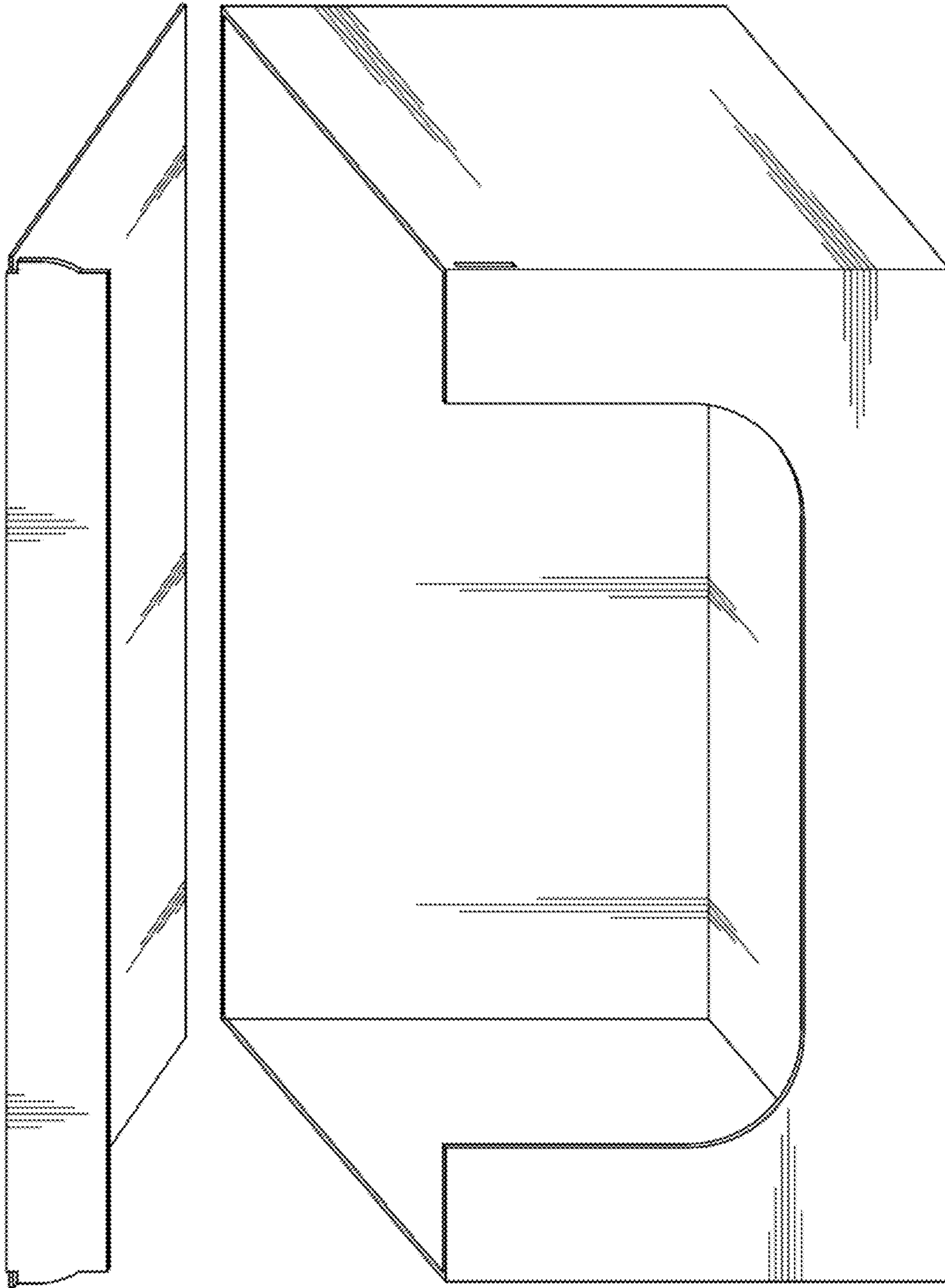


FIG. 9