



US00D895329S

(12) **United States Design Patent** (10) **Patent No.:** **US D895,329 S**
Knox et al. (45) **Date of Patent:** **** *Sep. 8, 2020**

- (54) **DRESSER**
- (71) Applicant: **Williams-Sonoma, Inc.**, San Francisco, CA (US)
- (72) Inventors: **August Knox**, Brooklyn, NY (US); **William Jackson**, Brooklyn, NY (US)
- (73) Assignee: **Williams-Sonoma, Inc.**, San Francisco, CA (US)

D252,724 S *	8/1979	Keller	D6/671.1
D252,726 S *	8/1979	Keller	D6/671.1
D259,686 S *	6/1981	West	D6/671.1
D396,577 S *	8/1998	Zaidman	D6/671.1
D396,578 S *	8/1998	Zaidman	D6/671.1
D397,559 S *	9/1998	Zaidman	D6/671.1
D402,825 S *	12/1998	Zaidman	D6/671.1
D408,168 S *	4/1999	Zaidman	D6/671
D815,466 S *	4/2018	Hannoosh	D6/671.1
D815,467 S *	4/2018	Hannoosh	D6/671.1
D816,734 S *	5/2018	Kim	D15/79

(*) Notice: This patent is subject to a terminal disclaimer.

(**) Term: **15 Years**

(21) Appl. No.: **29/673,901**

(22) Filed: **Dec. 18, 2018**

(51) **LOC (12) Cl.** **06-04**

(52) **U.S. Cl.**
USPC **D6/671.1**

(58) **Field of Classification Search**
USPC D6/650, 652, 657, 661.3, 663, 665, 668, D6/668.2, 671, 671.1, 671.2, 673, 675, D6/675.1, 686, 691.8, 694, 702
CPC A47B 46/00; A47B 47/00; A47B 47/022; A47B 47/02; A47B 47/04; A47B 55/00; A47B 67/02; A47B 67/04
See application file for complete search history.

(56) **References Cited**

U.S. PATENT DOCUMENTS

D151,964 S *	12/1948	Buckner	D6/671.1
D154,920 S *	8/1949	Guild	D6/671.1
D165,242 S *	11/1951	Porter	D6/671.1
D167,770 S *	9/1952	Porter'	D6/671.1
D185,709 S *	7/1959	Hermann	D6/668.2
D203,194 S *	12/1965	Klein	D6/671.1
D205,290 S *	7/1966	Klein	D6/671.1
D252,723 S *	8/1979	Keller	D6/671.1

OTHER PUBLICATIONS

“Gemini 3-Drawer Dresser—Walnut.” Found online Mar. 25, 2020 at www.westelm.com. Page dated Feb. 5, 2020. Retrieved from URL: <https://tinyurl.com/t5xfm4j> (Year: 2020).*

(Continued)

Primary Examiner — Mary Ann Calabrese

Assistant Examiner — Katelin G Kloberg

(74) *Attorney, Agent, or Firm* — Cook Alex Ltd.; R. Blake Johnston

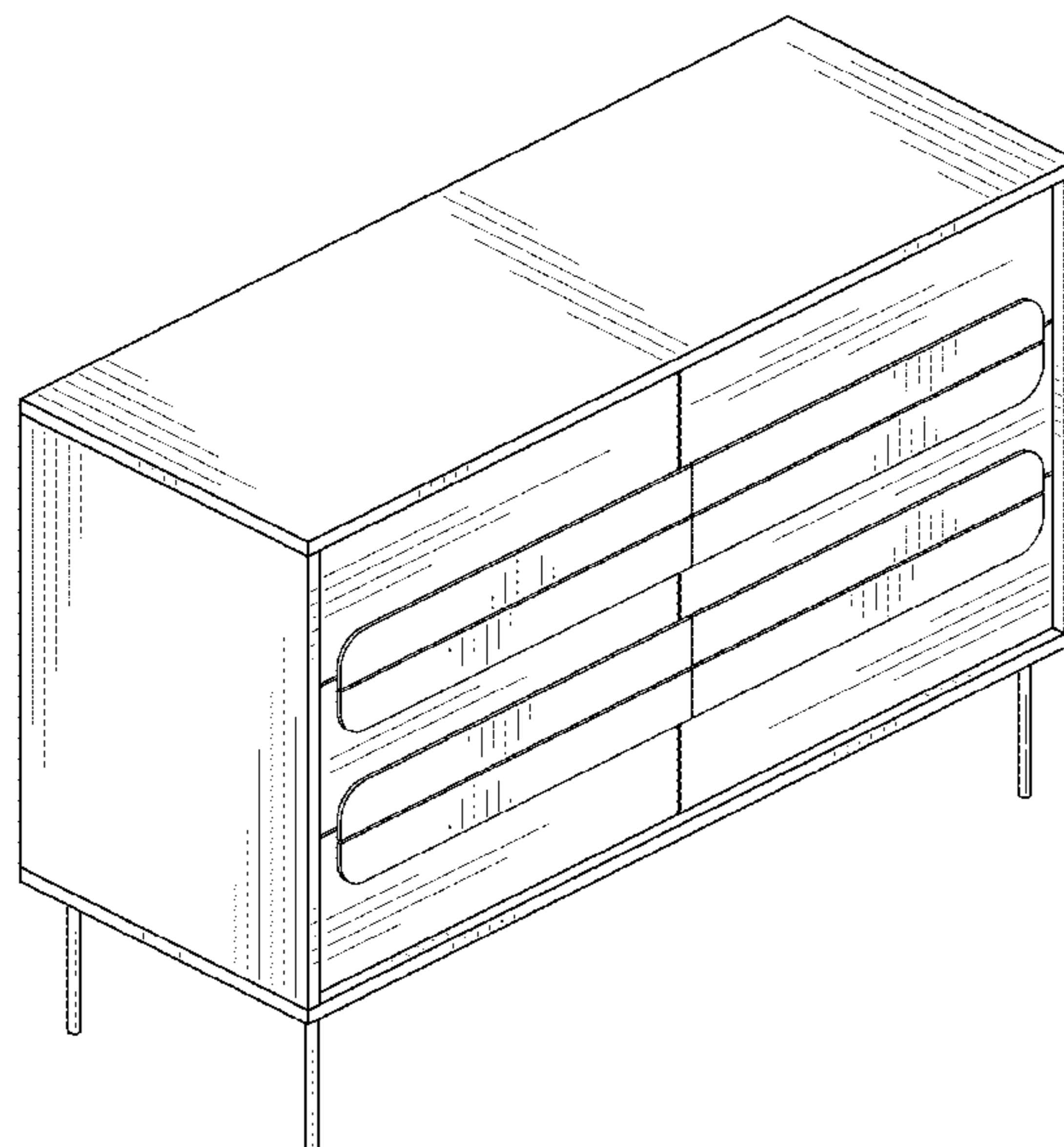
(57) **CLAIM**

The ornamental design for a dresser, as shown and described.

DESCRIPTION

FIG. 1 is a perspective view of a the dresser, showing our new design;
FIG. 2 is a front elevational view of the dresser;
FIG. 3 is a rear elevational view of the dresser;
FIG. 4 is a left side elevational view of the dresser, the opposite side of which is a minor image;
FIG. 5 is a top plan view of the dresser; and,
FIG. 6 is a bottom plan view of the dresser.
The broken lines shown in the drawings depict portions of the article and form no part of the claimed design.

1 Claim, 4 Drawing Sheets



(56)

References Cited

OTHER PUBLICATIONS

“Baxton Studio 3-Drawer Chest.” Found online Mar. 25, 2020 at www.amazon.com. Product first available Jun. 2, 2017. Retrieved from URL: https://www.amazon.com/Baxton-Studio-Drawers-Bureaus-3-Drawer/dp/B072Q6W47Y?ref_=ast_sto_dp(Year: 2017).*

* cited by examiner

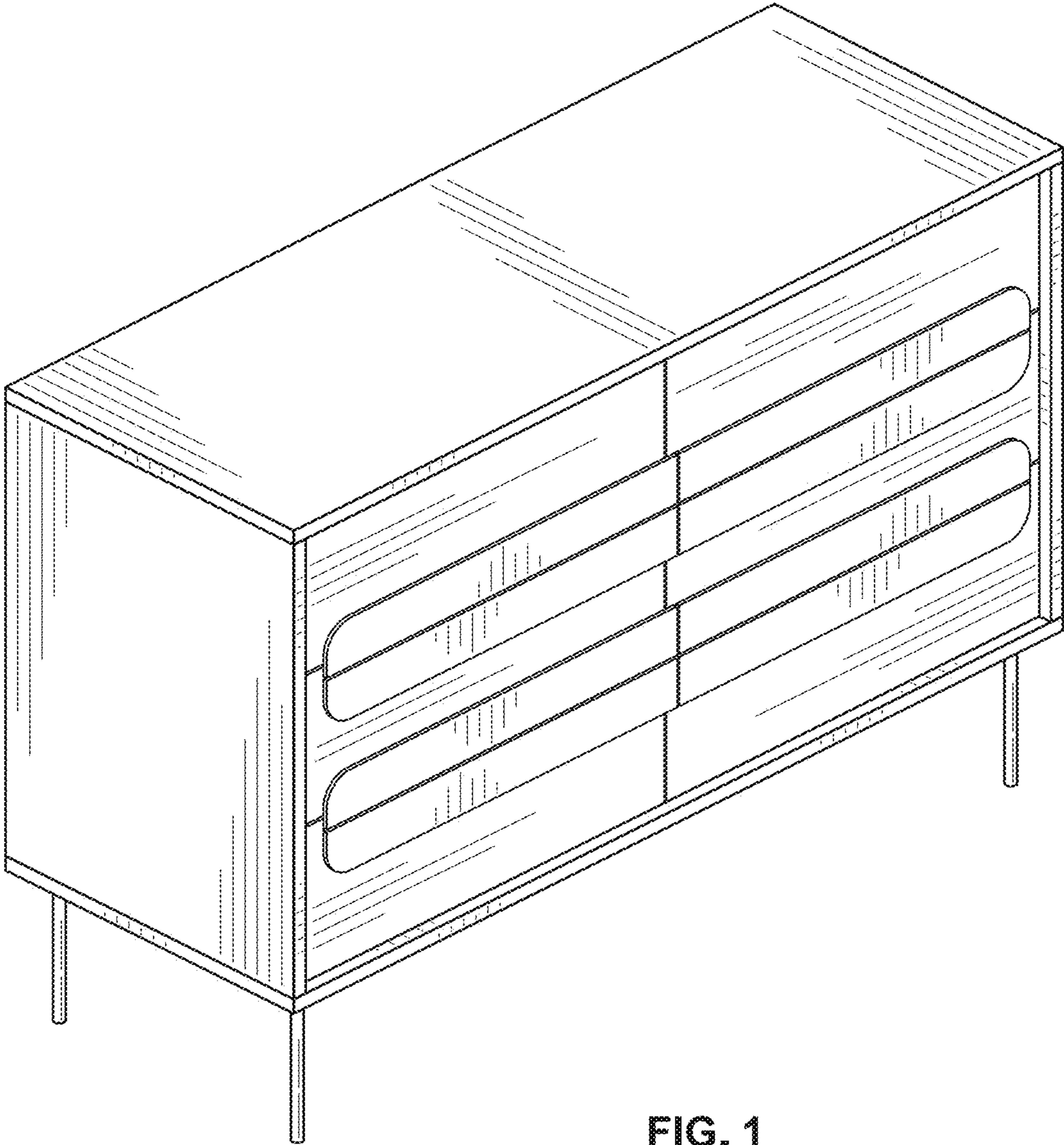


FIG. 1

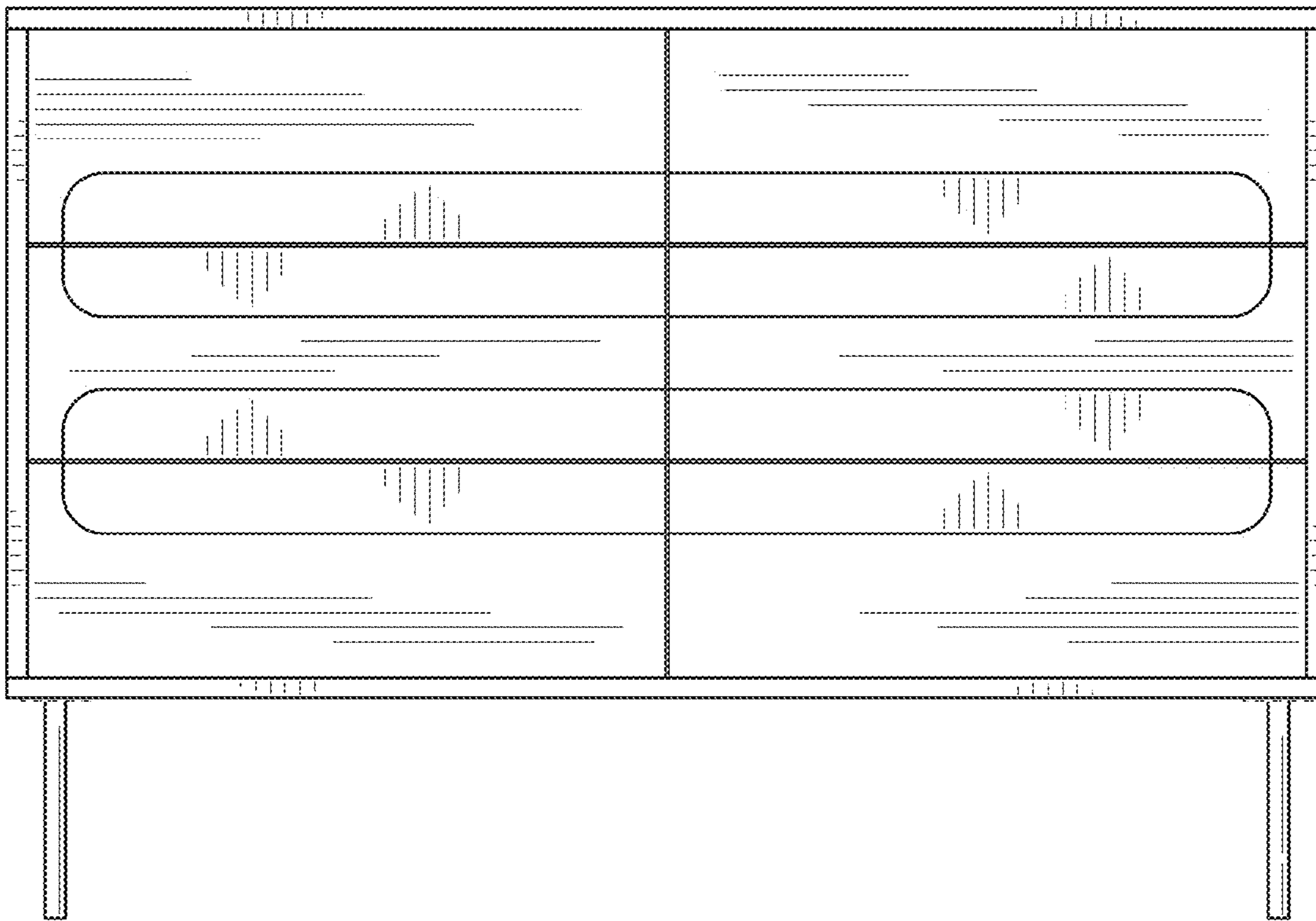


FIG. 2



FIG. 3

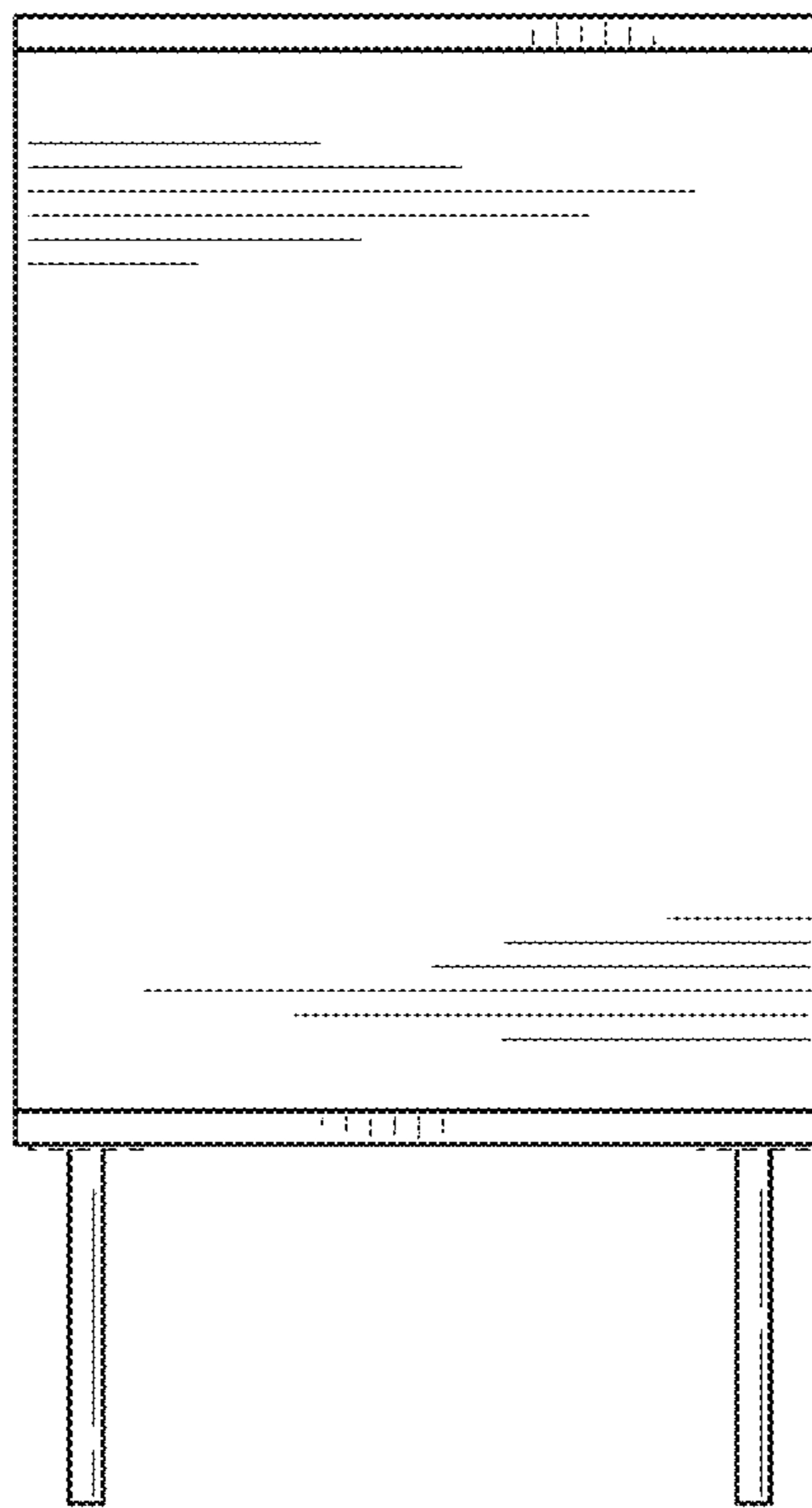


FIG. 4

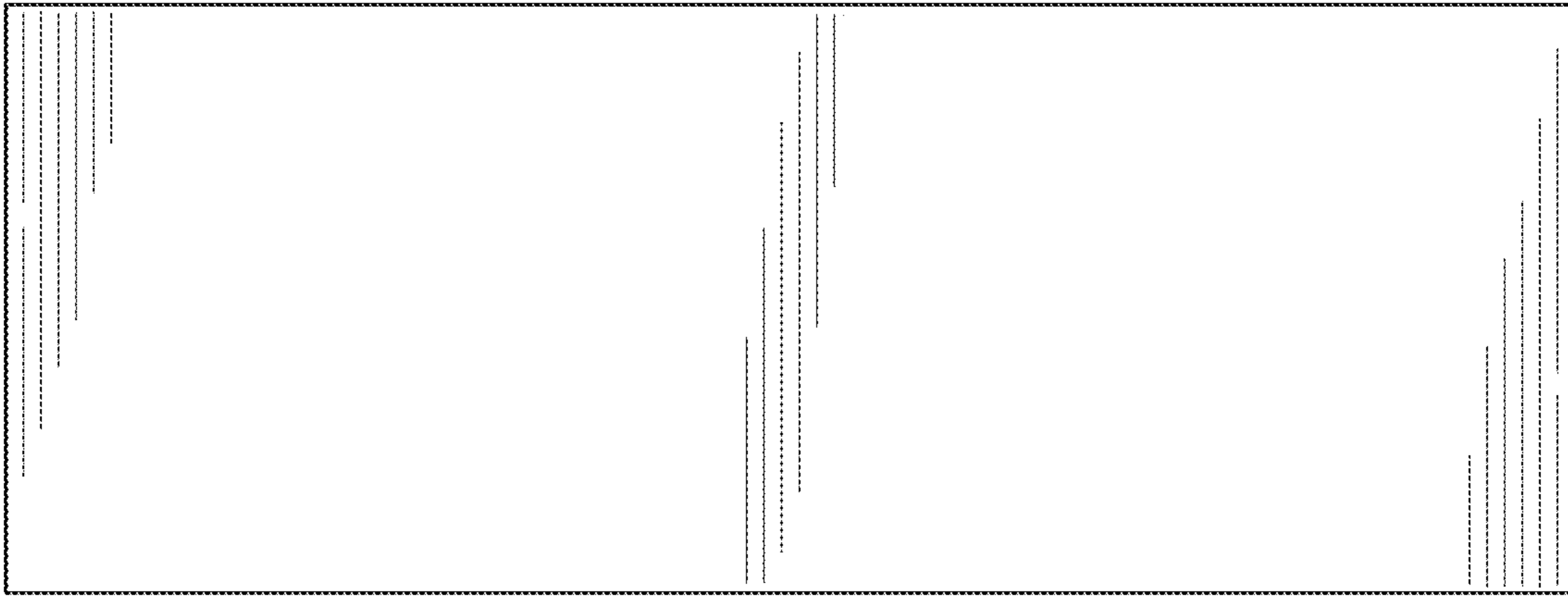


FIG. 5

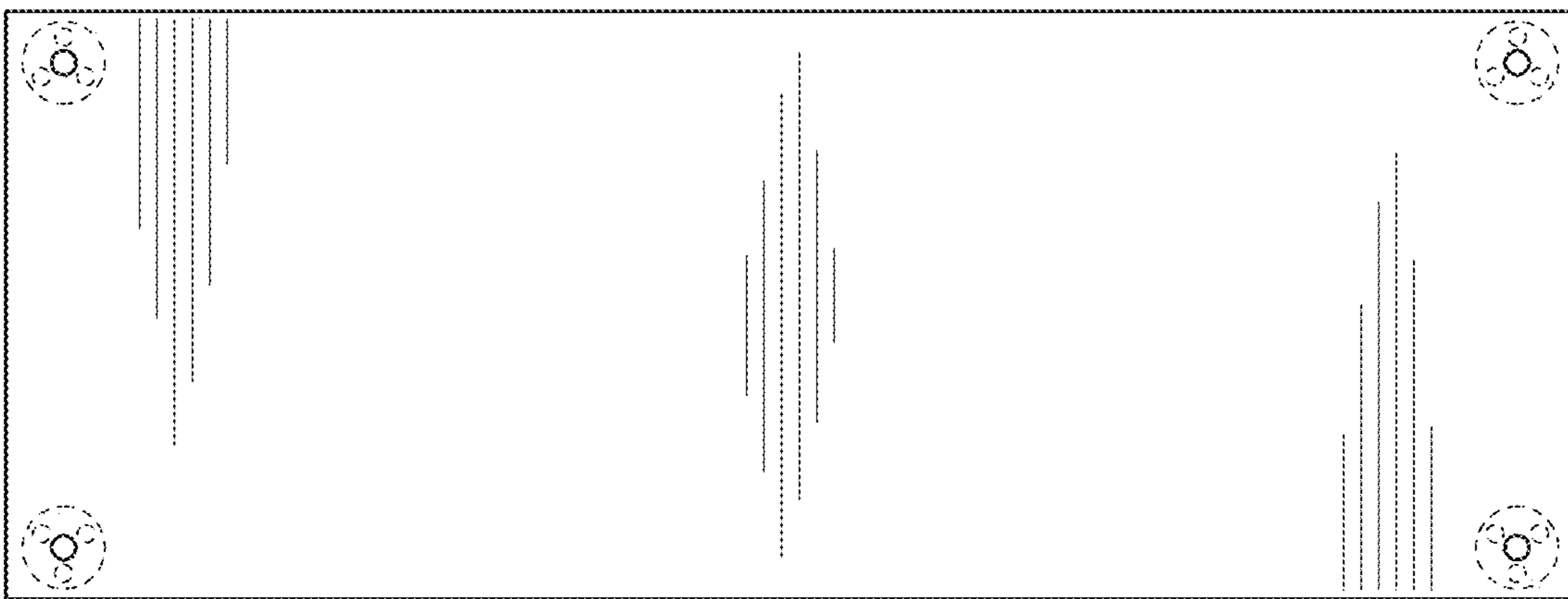


FIG. 6