



US00D895328S

(12) **United States Design Patent** (10) **Patent No.:** **US D895,328 S**
Knox et al. (45) **Date of Patent:** **** *Sep. 8, 2020**

- (54) **DRESSER**
- (71) Applicant: **Williams-Sonoma, Inc.**, San Francisco, CA (US)
- (72) Inventors: **August Knox**, Brooklyn, NY (US);
William Jackson, Brooklyn, NY (US)
- (73) Assignee: **Williams-Sonoma, Inc.**, San Francisco, CA (US)

- D252,726 S * 8/1979 Keller D6/671.1
- D259,686 S * 6/1981 West D6/671.1
- D396,577 S * 8/1998 Zaidman D6/671.1
- D396,578 S * 8/1998 Zaidman D6/671.1
- D397,559 S * 9/1998 Zaidman D6/671.1
- D402,825 S * 12/1998 Zaidman D6/671.1
- D408,168 S * 4/1999 Zaidman D6/671.1
- D815,466 S * 4/2018 Hannoosh D6/671.1
- D815,467 S * 4/2018 Hannoosh D6/671.1

(Continued)

(*) Notice: This patent is subject to a terminal disclaimer.

(**) Term: **15 Years**

(21) Appl. No.: **29/673,850**

(22) Filed: **Dec. 18, 2018**

(51) **LOC (12) Cl.** **06-04**

(52) **U.S. Cl.**
USPC **D6/671.1**

(58) **Field of Classification Search**
USPC D6/650, 652, 657, 661.3, 663, 665, 668,
D6/668.2, 671, 671.1, 671.2, 673, 675,
D6/675.1, 686, 691.8, 694, 702
CPC A47B 46/00; A47B 47/00; A47B 47/022;
A47B 47/02; A47B 47/04; A47B 55/00;
A47B 67/02; A47B 67/04

See application file for complete search history.

(56) **References Cited**

U.S. PATENT DOCUMENTS

- D151,964 S * 12/1948 Buckner D6/671.1
- D154,920 S * 8/1949 Guild D6/671.1
- D165,242 S * 11/1951 Porter D6/671.1
- D167,770 S * 9/1952 Porter D6/671.1
- D185,709 S * 7/1959 Hermann D6/668.2
- D203,194 S * 12/1965 Klein D6/671.1
- D205,290 S * 7/1966 Klein D6/671.1
- D252,723 S * 8/1979 Keller D6/671.1
- D252,724 S * 8/1979 Keller D6/671.1

OTHER PUBLICATIONS

“We’re Updating you on the Gemini Nightstand—White Lacquer.”
Found online Mar. 25, 2020 at www.milled.com. Page dated Dec. 6, 2018. Retrieved from URL: <https://milled.com/west-elm/pending-were-updating-you-on-the-gemini-nightstand-white-lacquer-plus-up-to-70--eVAtAj3VSKMGgpj3> (Year: 2018).*

(Continued)

Primary Examiner — Mary Ann Calabrese

Assistant Examiner — Katelin G Kloberg

(74) *Attorney, Agent, or Firm* — Cook Alex Ltd.; R. Blake Johnston

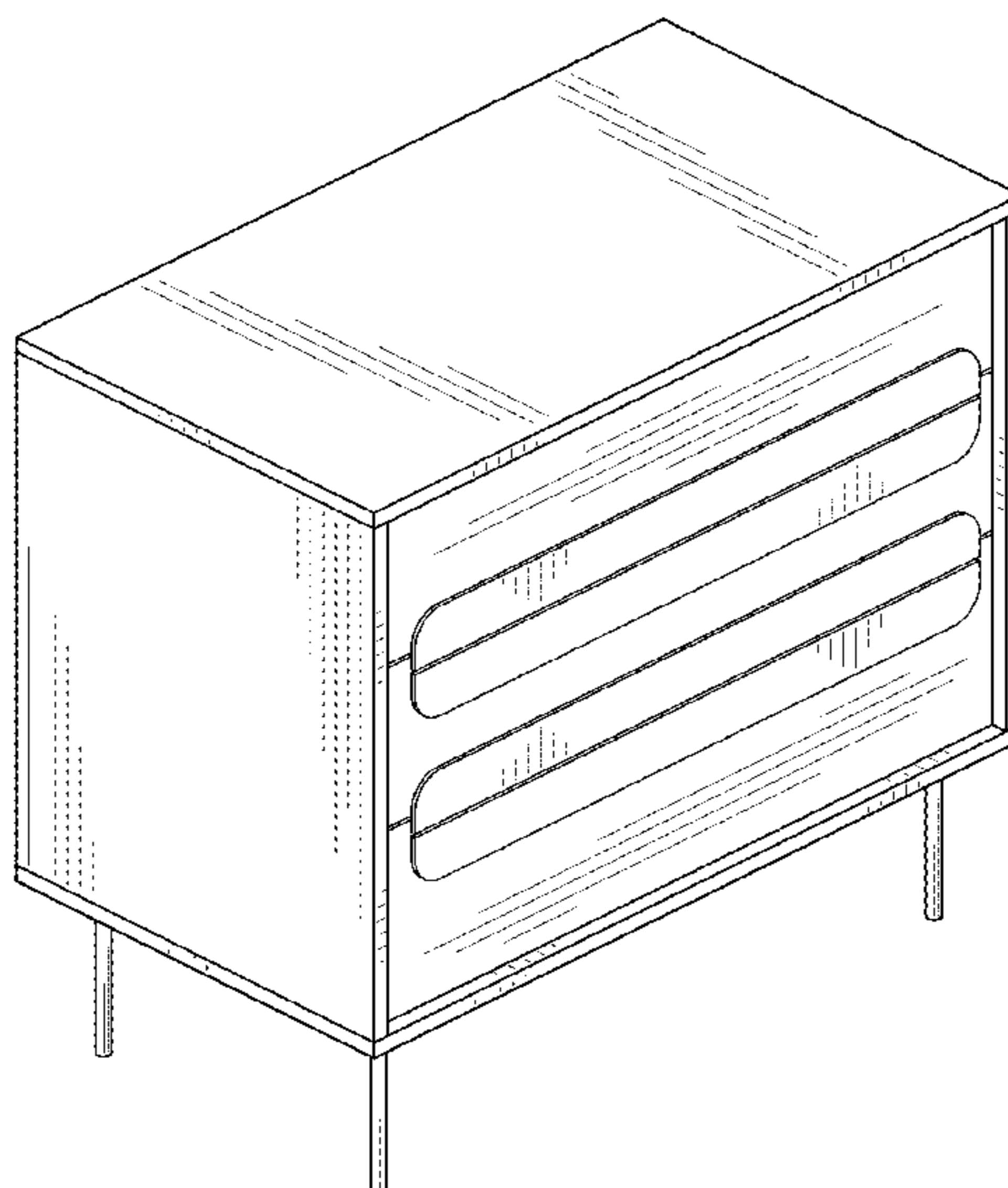
(57) **CLAIM**

The ornamental design for a dresser, as shown and described.

DESCRIPTION

FIG. 1 is a perspective view of a dresser, showing our new design;
FIG. 2 is a front elevational view of the dresser;
FIG. 3 is a rear elevational view of the dresser;
FIG. 4 is a left side elevational view of the dresser, the opposite side of which is a mirror image;
FIG. 5 is a top plan view of the dresser; and,
FIG. 6 is a bottom plan view of the dresser.
The broken lines shown in the drawings depict portions of the article and form no part of the claimed design.

1 Claim, 4 Drawing Sheets



(56)

References Cited

U.S. PATENT DOCUMENTS

D816,734 S * 5/2018 Kim D15/79

OTHER PUBLICATIONS

“West Elm’s 2019 Autumn Collection—Our Top Picks.” Found online Mar. 25, 2020 at www.theinteriorsaddict.com. Page dated Jan. 21, 2019. Retrieved from URL: <https://theinteriorsaddict.com/west-elms-2019-autumn-collection-our-top-picks> (Year: 2019).*

“We’re Updating you on the Gemini 6-drawer dresser—White Lacquer.” Found online Mar. 25, 2020 at www.emailtuna.com. Page dated Apr. 11, 2019. Retrieved from URL: <https://emailtuna.com/westelm.com/937424> (Year: 2019).*

“Gemini 6-Drawer Dresser—Walnut.” Found online Mar. 25, 2020 at www.westelm.com. Page dated Aug. 19, 2019. Retrieved from URL: <https://tinyurl.com/qpn3h3t> (Year: 2019).*

“Baxton Studio Calypso Mid-Century Modern 6-Drawer Dresser.” Found online Mar. 25, 2020 at www.amazon.com. Product first available Aug. 29, 2017. Retrieved from URL: https://www.amazon.com/dp/B075771R2K/ref=sbl_dp_x_B072Q6CZJG_0 (Year: 2017).*

* cited by examiner

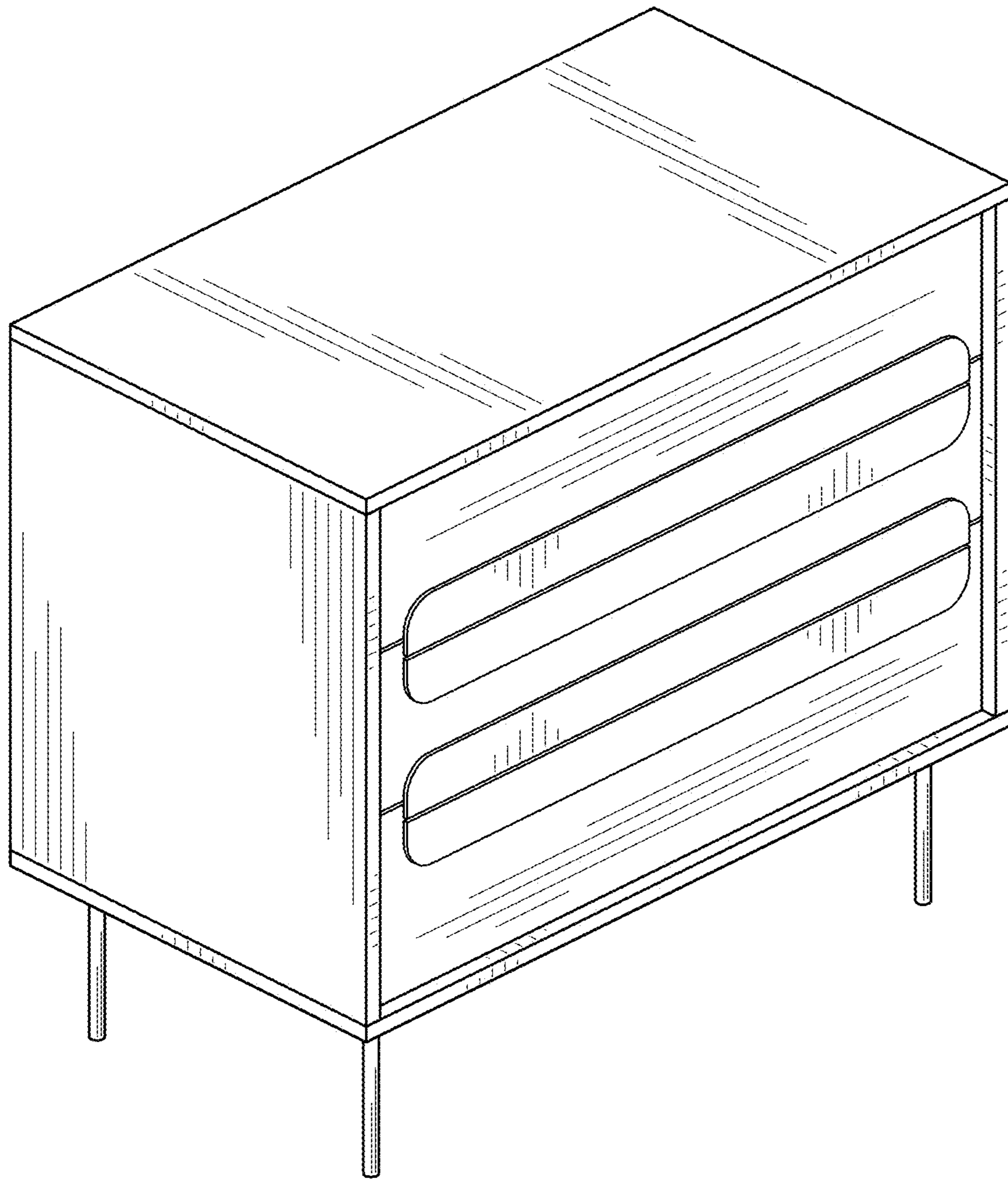


FIG. 1

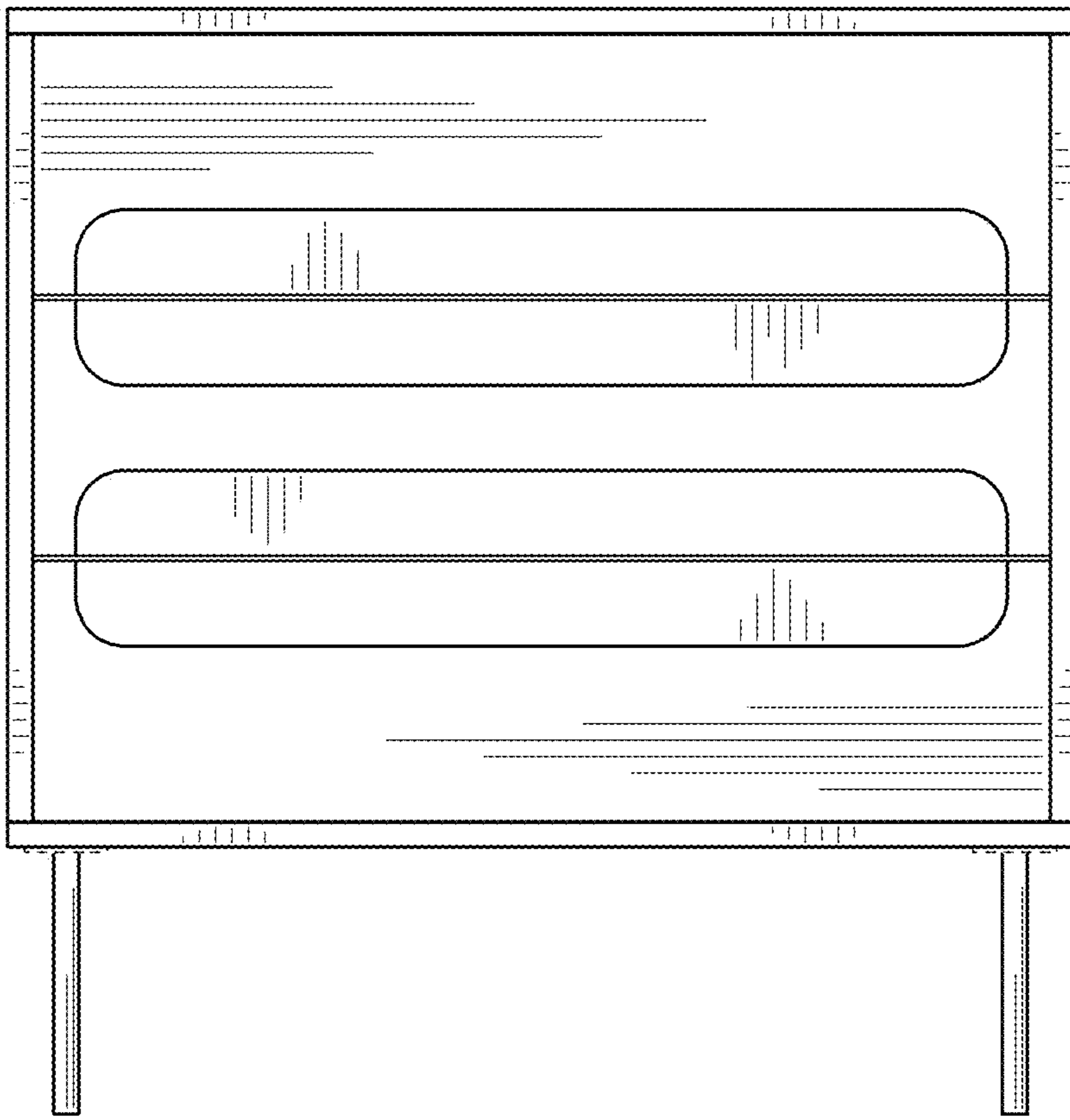


FIG. 2

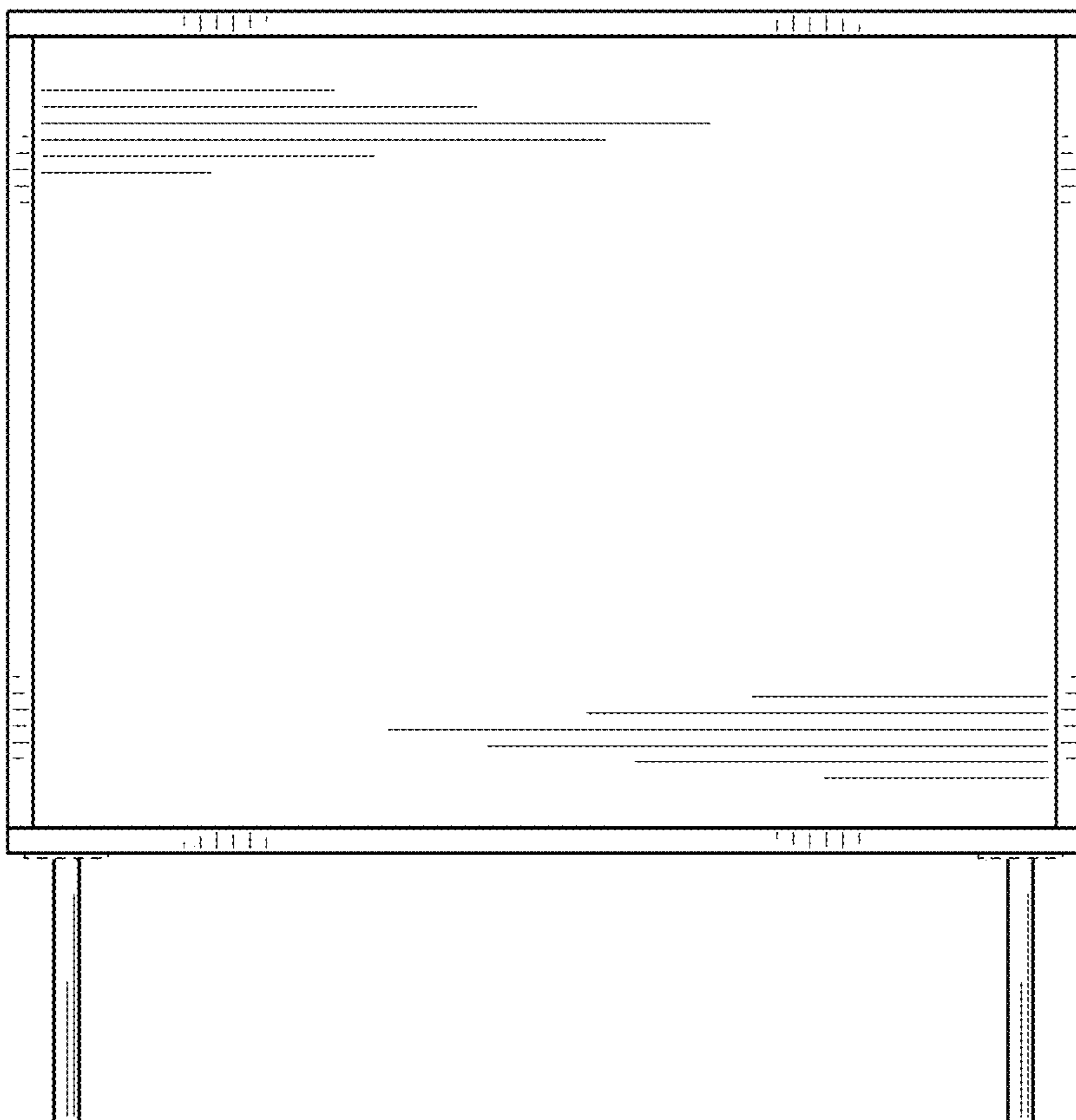


FIG. 3

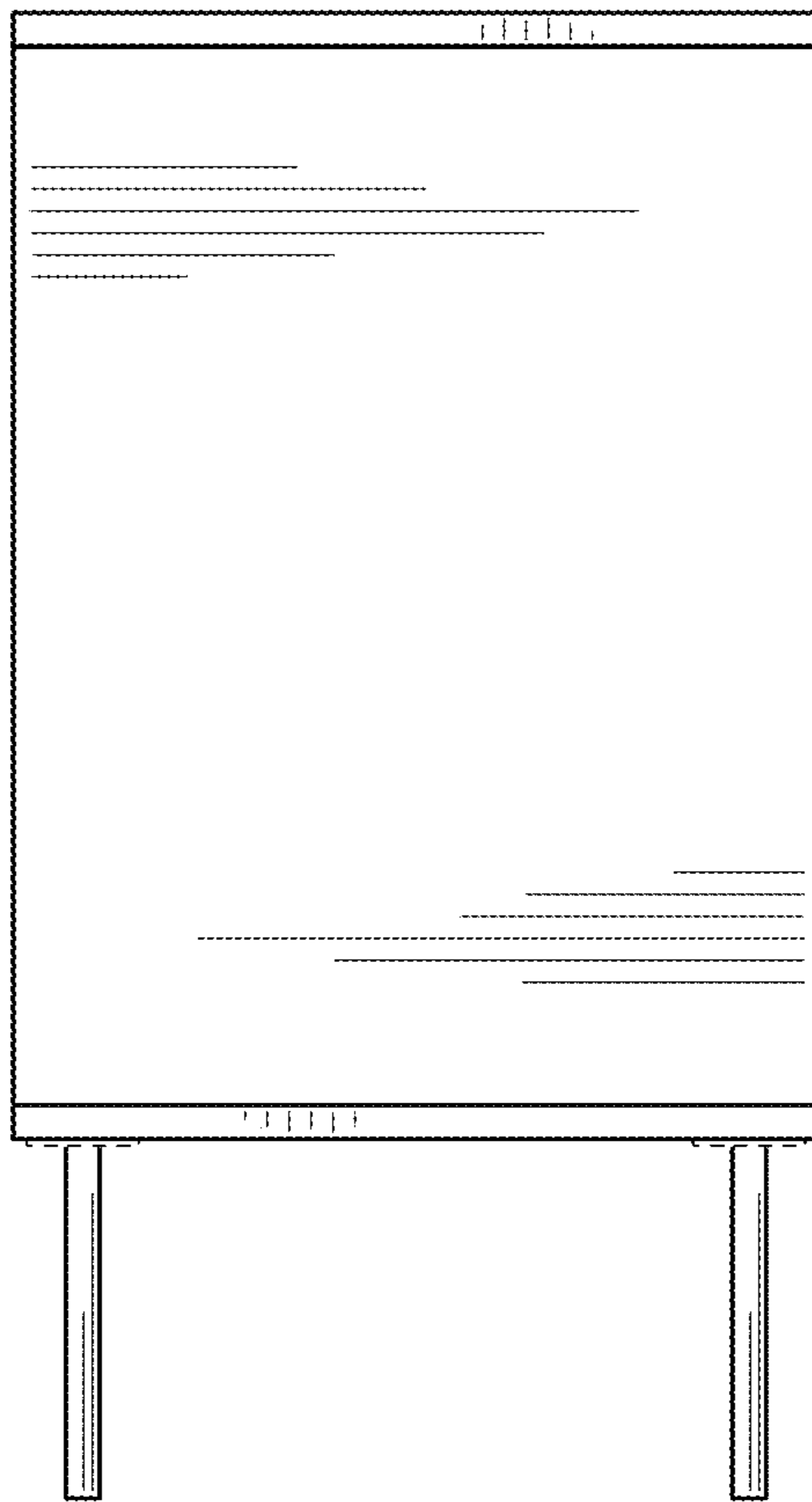


FIG. 4

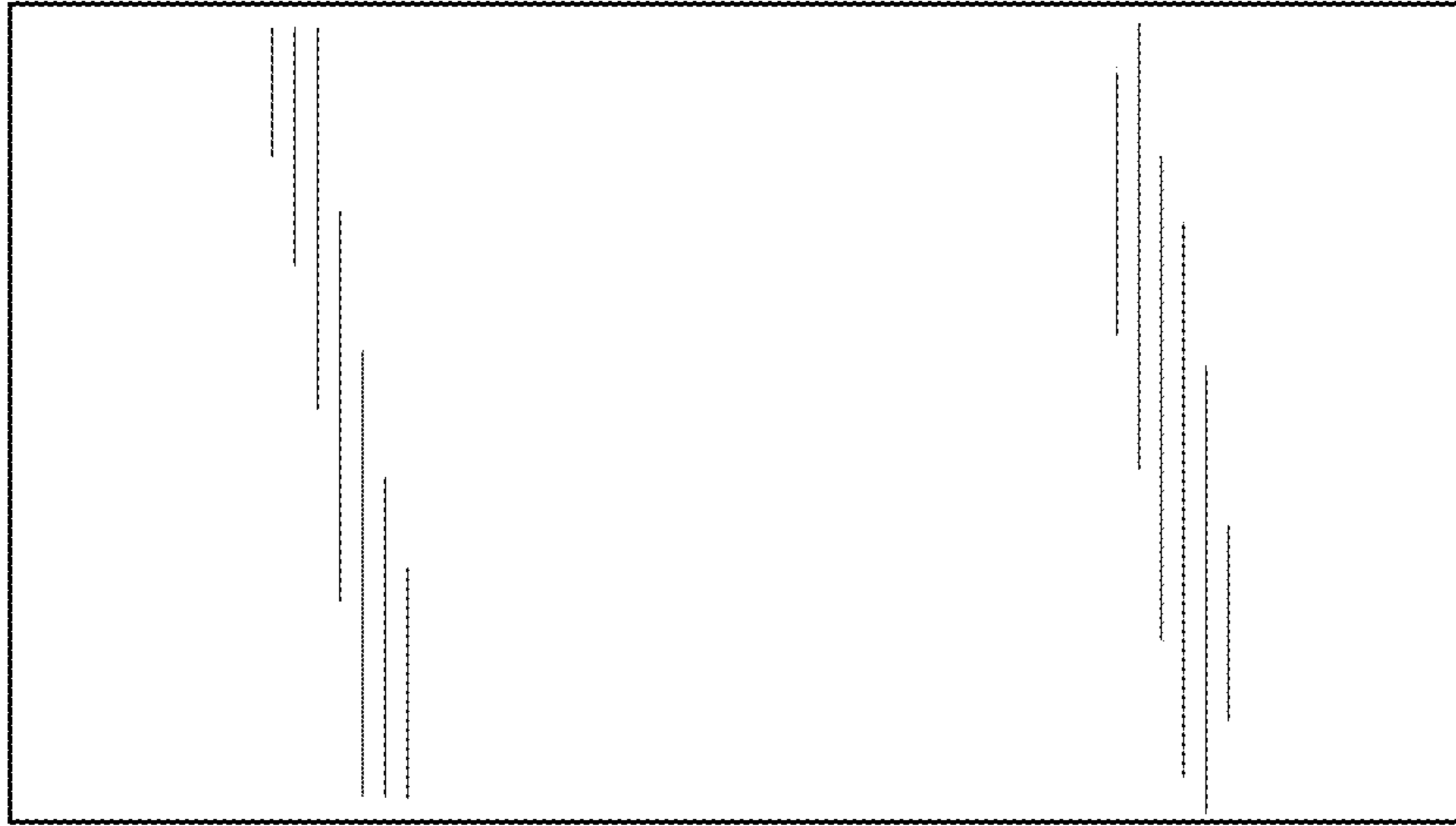


FIG. 5



FIG. 6