



US00D895327S

(12) **United States Design Patent**
Guo

(10) **Patent No.:** **US D895,327 S**

(45) **Date of Patent:** **** Sep. 8, 2020**

- (54) **ROUND STORAGE CABINET**
- (71) Applicant: **Zhejiang Kinplay Co., Ltd**, Zhejiang (CN)
- (72) Inventor: **Jiejun Guo**, Zhejiang (CN)
- (73) Assignee: **Zhejiang Kinplay Co., Ltd**, Zhejiang (CN)

- 3,295,745 A * 1/1967 Winter B65D 11/06 229/67
- D216,422 S * 1/1970 William D9/633
- D342,392 S * 12/1993 Mujica D34/39
- D558,483 S 1/2008 Bertch et al.
- D590,632 S * 4/2009 Zak D6/668
- D591,800 S 5/2009 Hsu
- D627,182 S * 11/2010 Wirth D9/633
- D817,182 S * 5/2018 Fleischhacker D9/633
- D881,613 S 4/2020 Leng

(**) Term: **15 Years**

* cited by examiner

(21) Appl. No.: **29/732,400**

Primary Examiner — Mimosa De

(74) *Attorney, Agent, or Firm* — ScienBiziP, P.C.

(22) Filed: **Apr. 23, 2020**

(57) **CLAIM**

The ornamental design for a round storage cabinet, as shown and described.

(30) **Foreign Application Priority Data**

Nov. 12, 2019 (CN) 2019 3 06211349

DESCRIPTION

(51) **LOC (12) Cl.** **06-04**

(52) **U.S. Cl.**
USPC **D6/668**

(58) **Field of Classification Search**
USPC D6/663, 664, 664.1, 665, 667, 668, D6/668.1, 668.2, 669, 699
CPC ... A47F 3/00; A47F 3/10; A47B 17/04; A47B 43/00; A47B 45/00; A47B 63/00; A47B 67/00; A47B 67/04; B65D 11/06
See application file for complete search history.

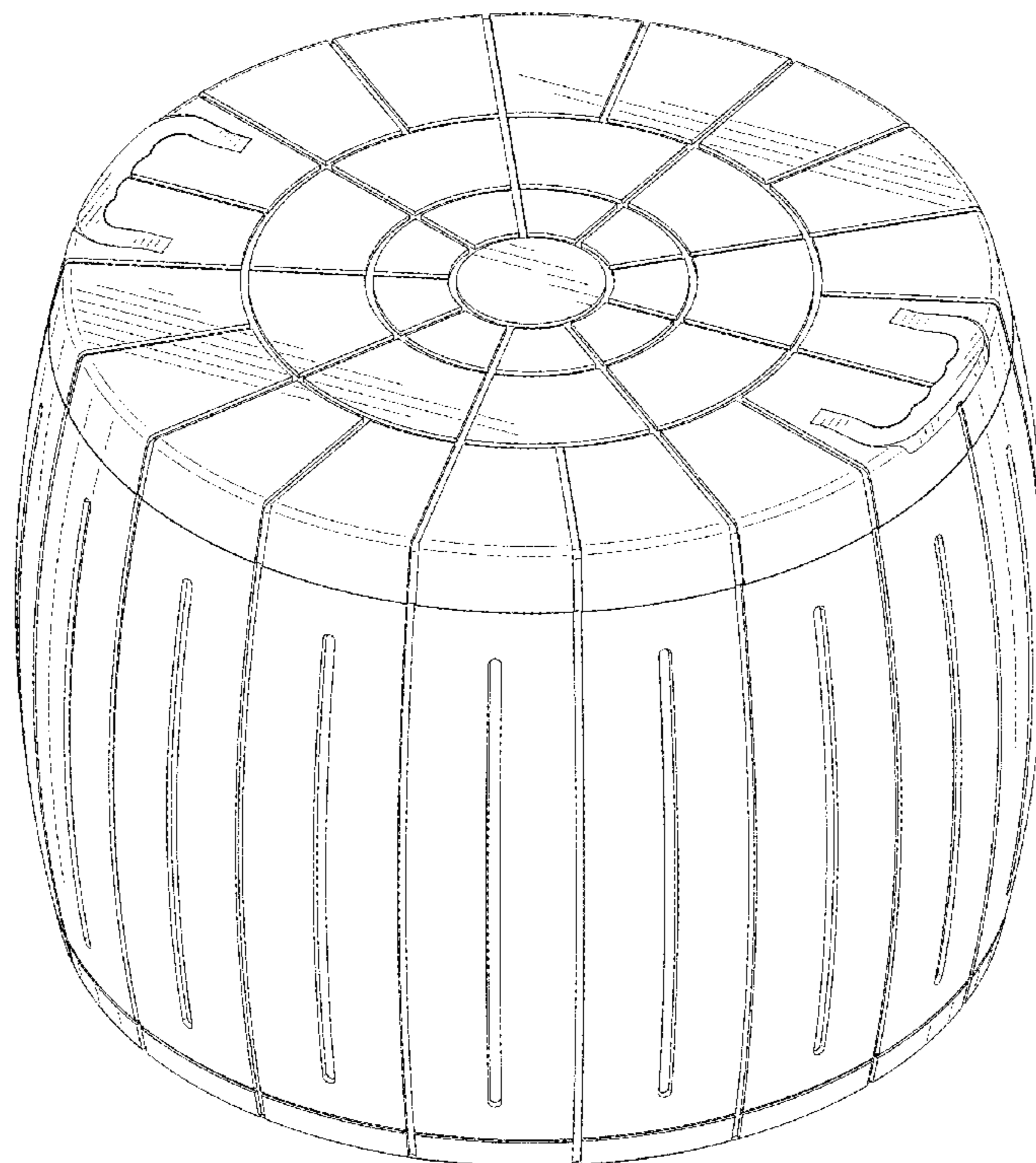
FIG. 1 is a front and top perspective view of a round storage cabinet, showing my design.
FIG. 2 is a rear and bottom perspective view thereof.
FIG. 3 is a front elevation view thereof.
FIG. 4 is a rear elevation view thereof.
FIG. 5 is a left side elevation view thereof.
FIG. 6 is a right side elevation view thereof.
FIG. 7 is a top plan view thereof.
FIG. 8 is a bottom plan view thereof; and,
FIG. 9 is an enlarged view of an area labeled 9 in FIG. 2.
The broken lines are for environmental structure, boundaries, or illustrative purposes only and form no part of the claimed designs to be patented.

(56) **References Cited**

U.S. PATENT DOCUMENTS

- D62,957 S * 8/1923 Lillie D6/668.2
- D192,568 S * 4/1962 Anderson D6/699

1 Claim, 9 Drawing Sheets



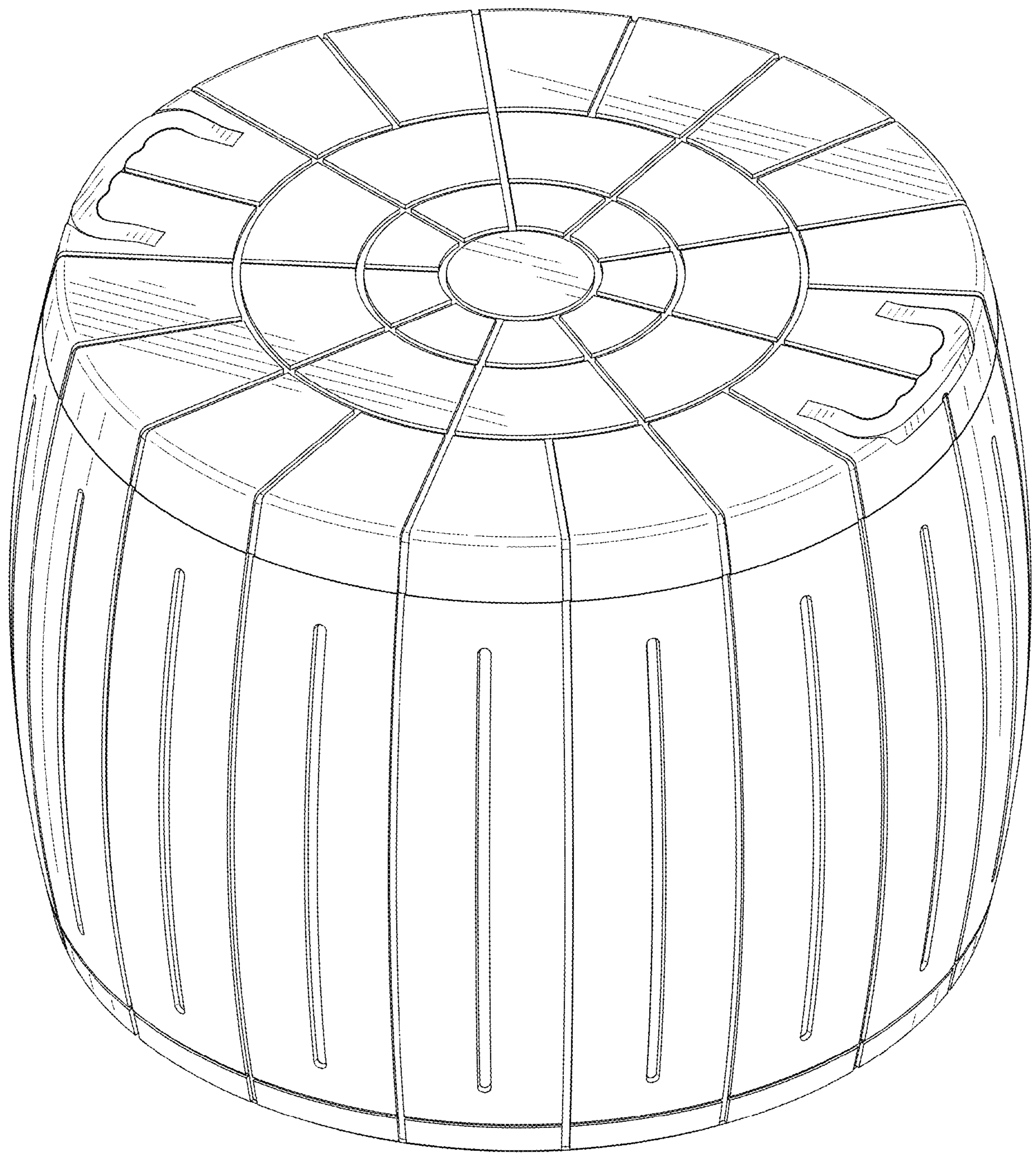


FIG. 1

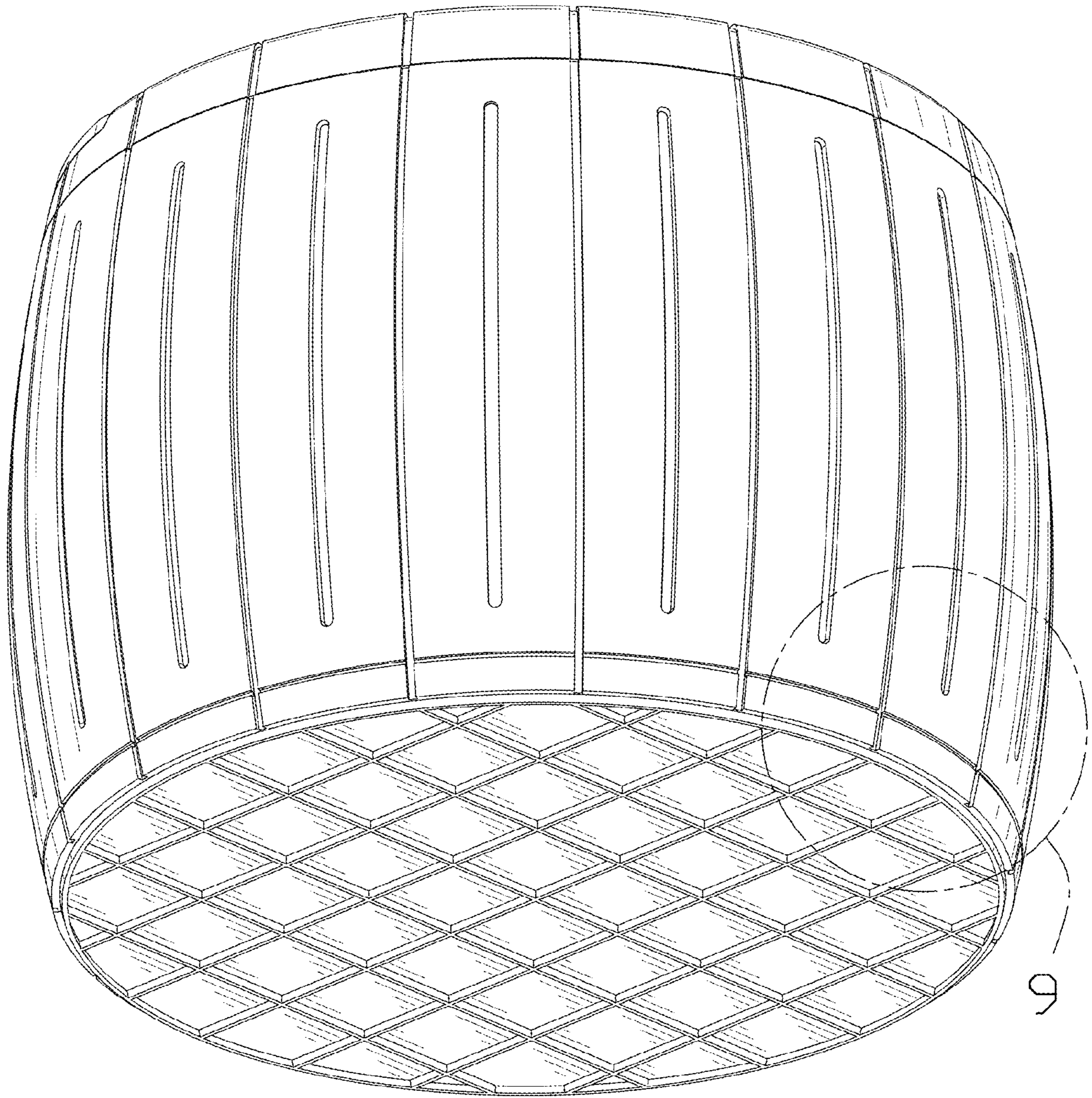


FIG. 2

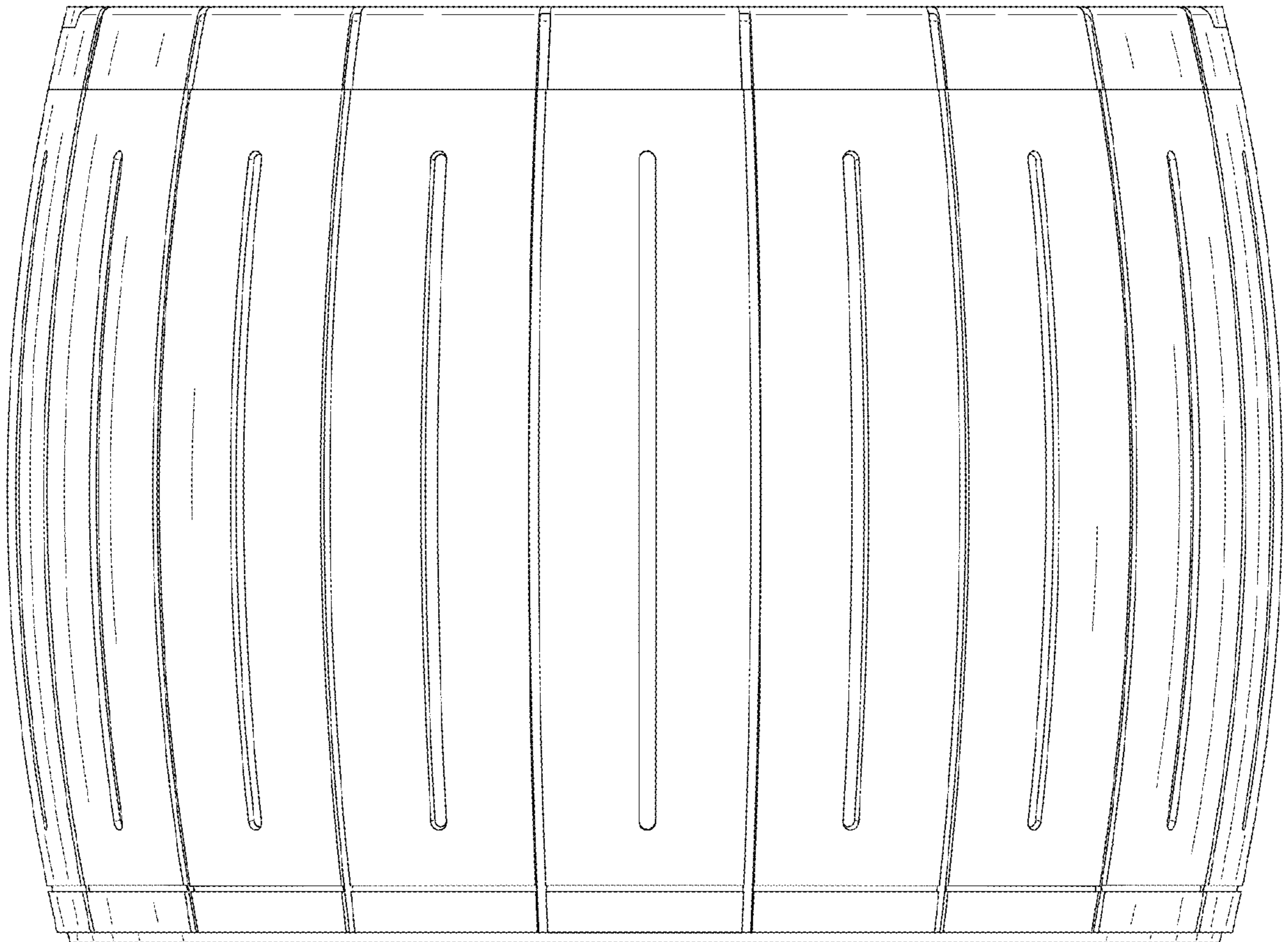


FIG. 3

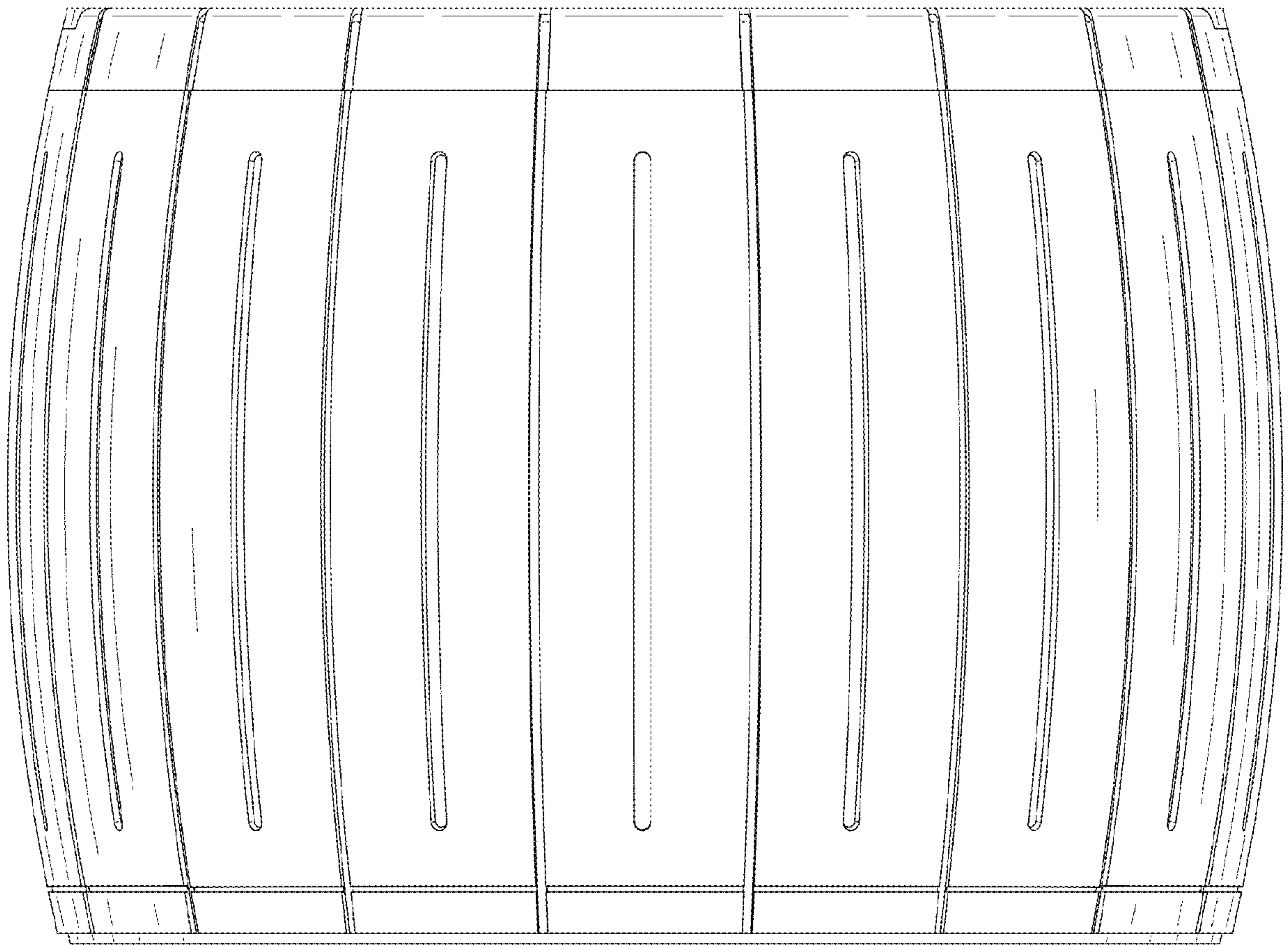


FIG. 4

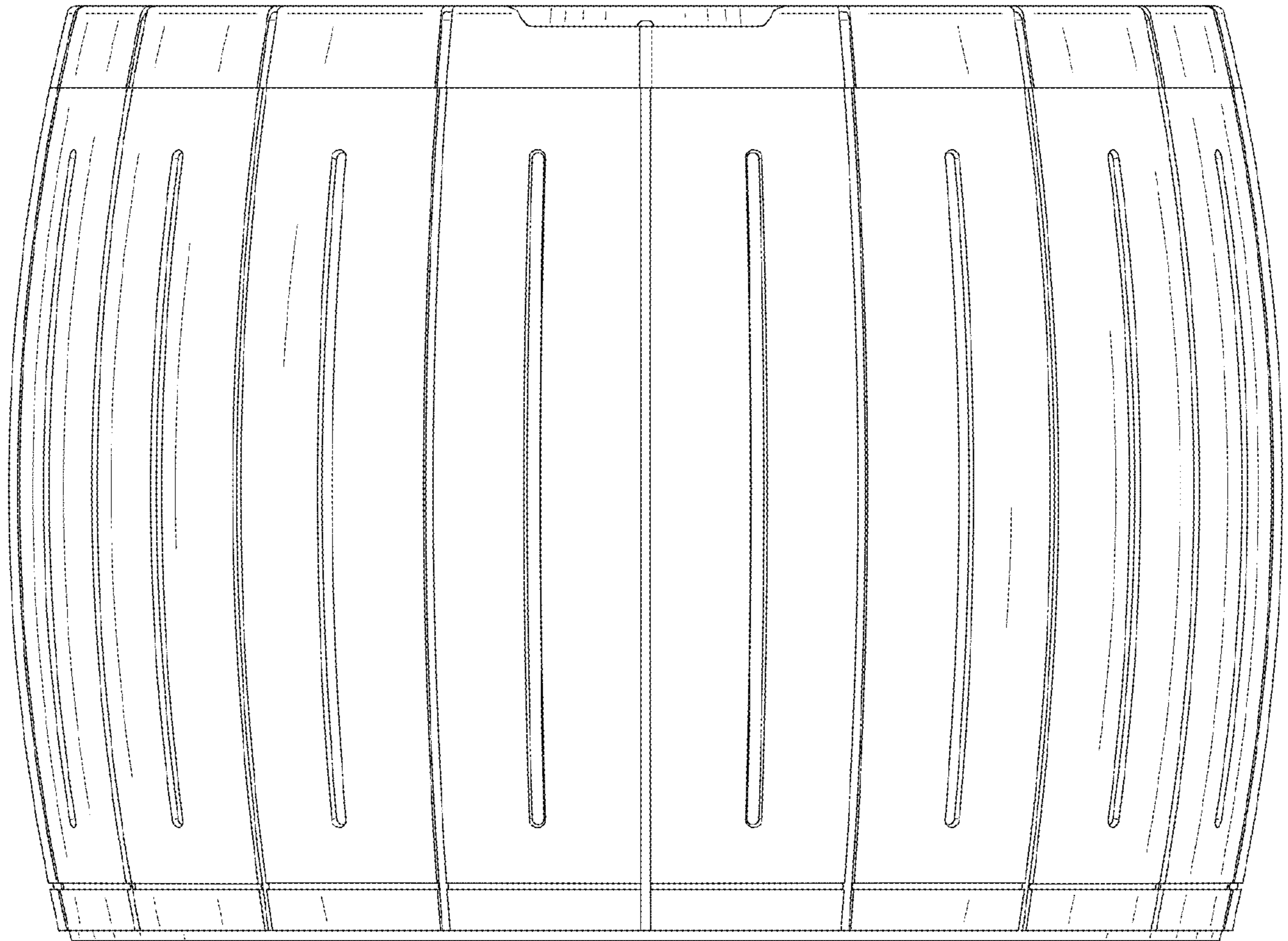


FIG. 5

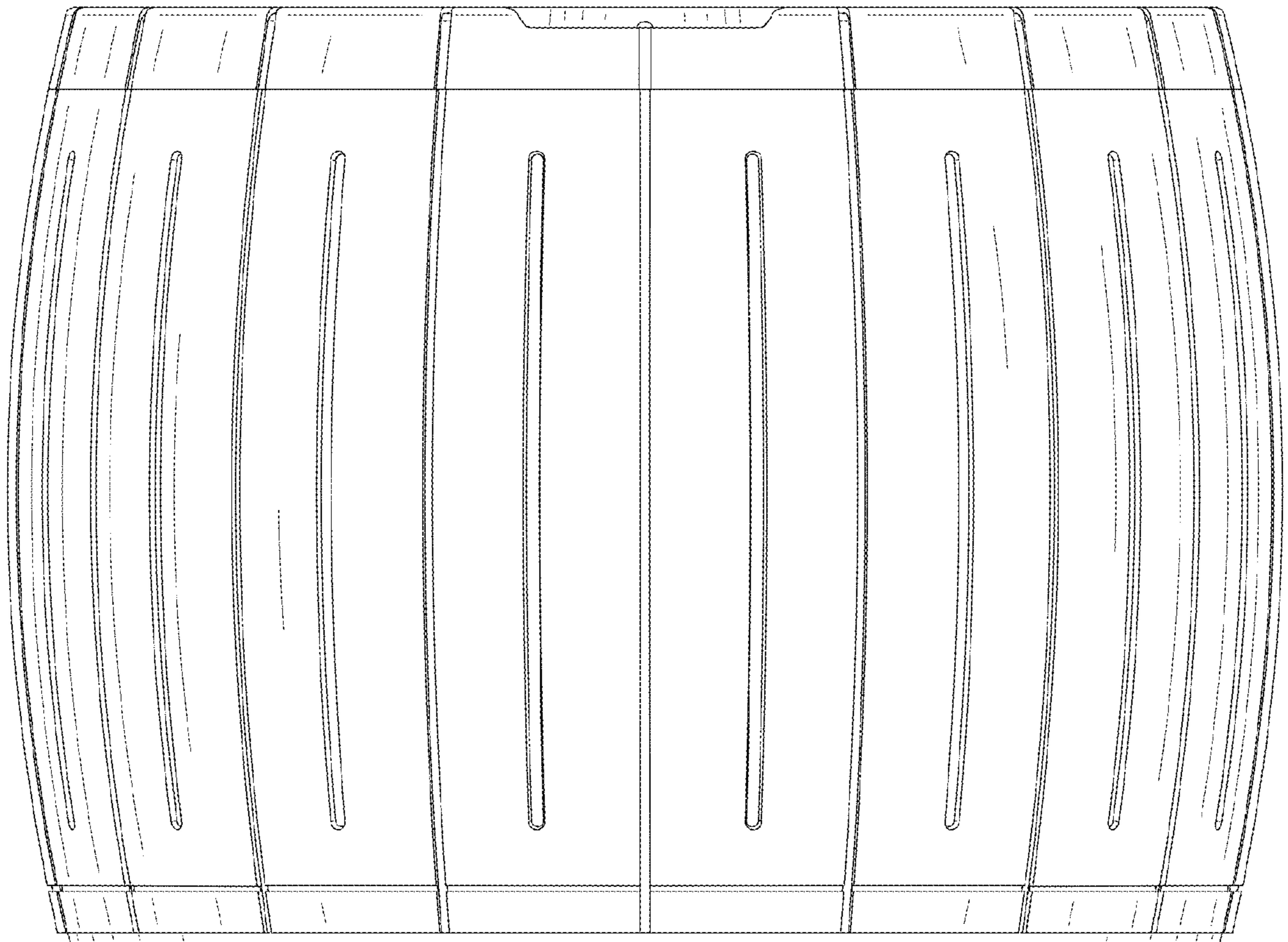


FIG. 6

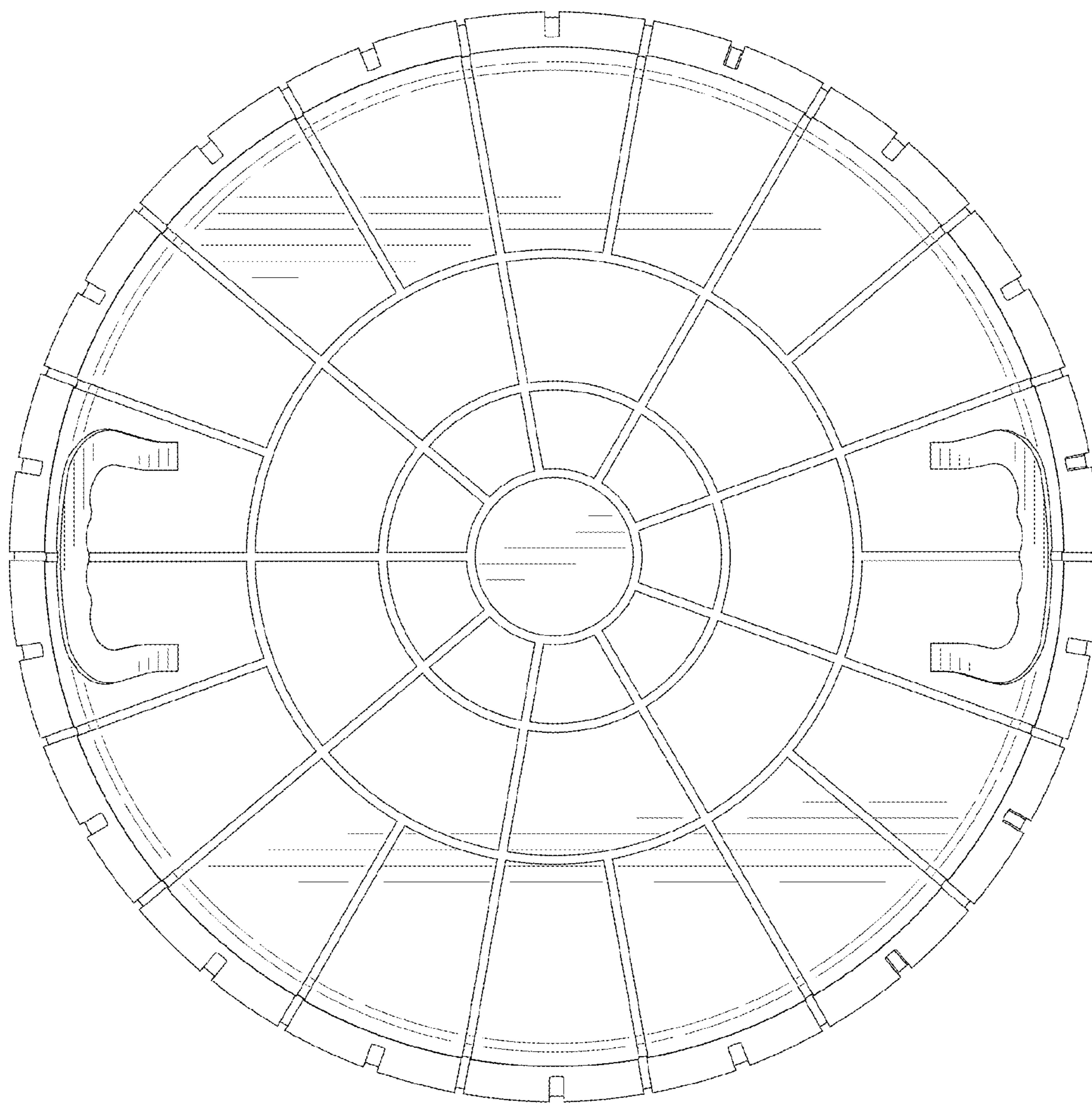


FIG. 7

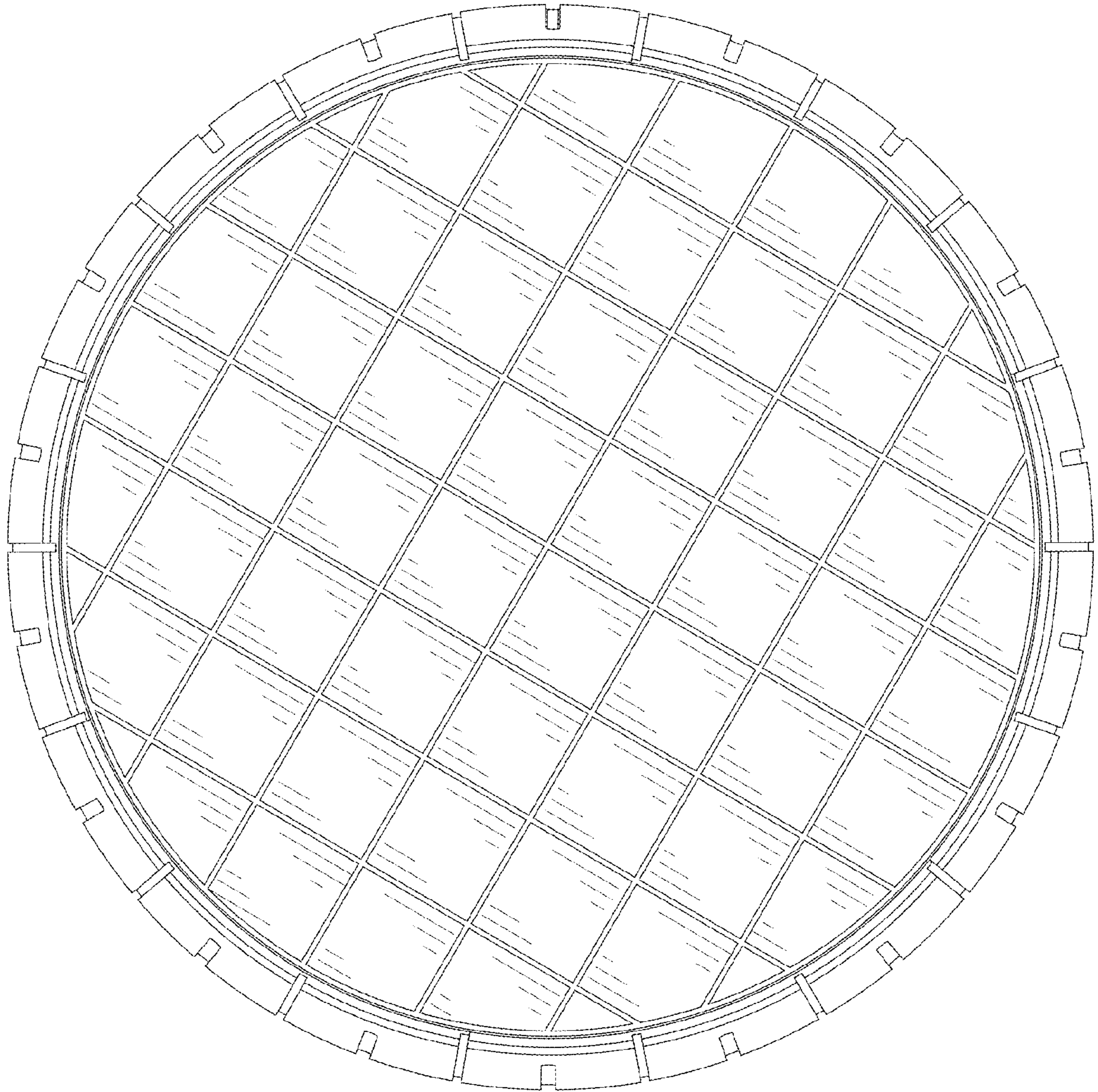


FIG. 8

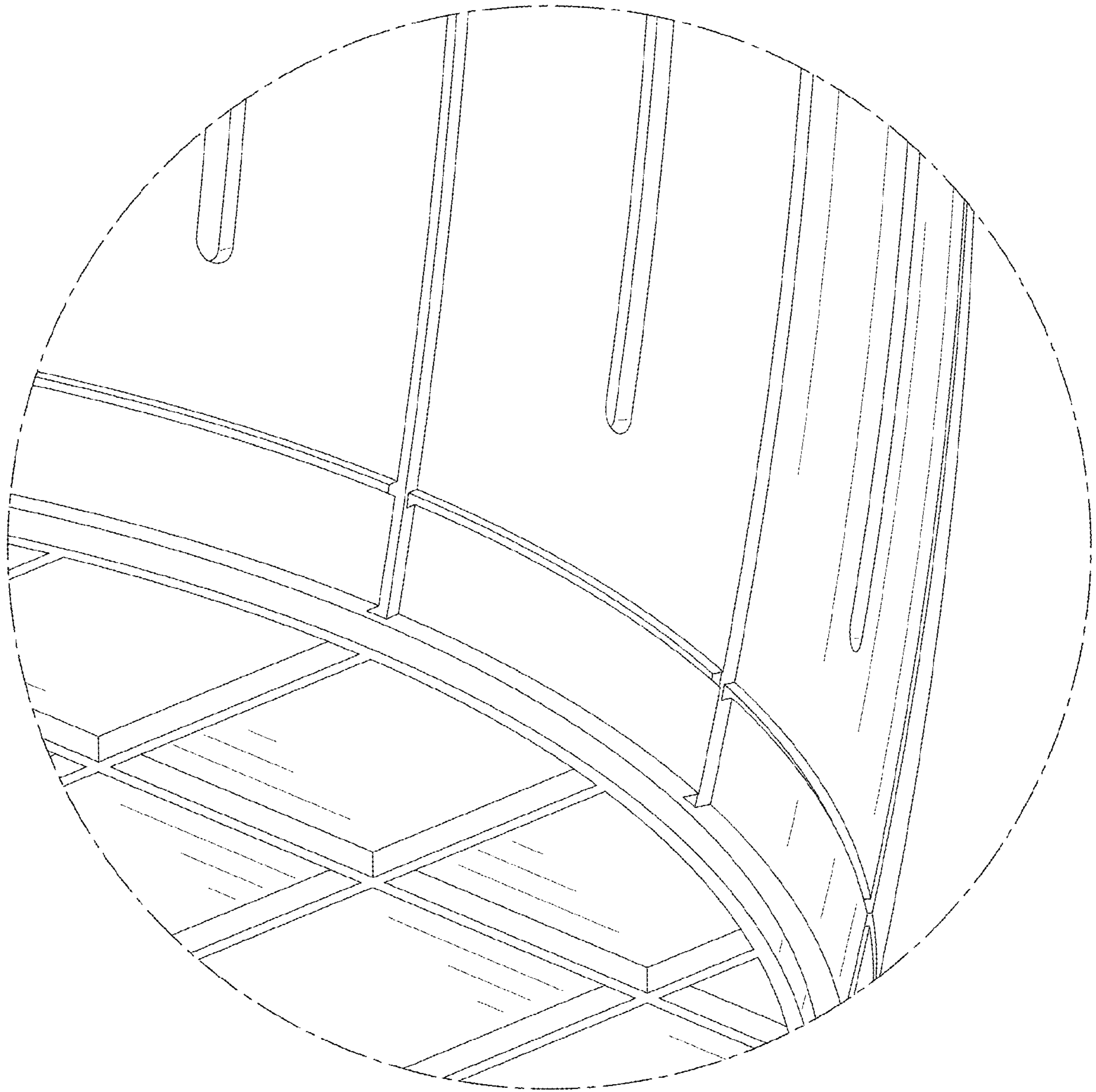


FIG. 9