



US00D895326S

(12) **United States Design Patent** (10) **Patent No.:** **US D895,326 S**  
**Goldberg et al.** (45) **Date of Patent:** **\*\* Sep. 8, 2020**

(54) **DESKTOP WITH RETRACTED LEGS**  
 (71) Applicant: **Playground Store Limited**, Tsim Sha Tsui East (HK)  
 (72) Inventors: **Daniel Goldberg**, Lido Beach, NY (US); **Jedediah J. McCann**, Seattle, WA (US)  
 (73) Assignee: **Playground Store Limited**, Hong Kong (HK)  
 (\*\*) Term: **15 Years**  
 (21) Appl. No.: **29/665,624**  
 (22) Filed: **Oct. 5, 2018**

**Related U.S. Application Data**

(63) Continuation-in-part of application No. 29/644,198, filed on Apr. 16, 2018, and a continuation-in-part of application No. 29/644,168, filed on Apr. 16, 2018, now Pat. No. Des. 879,514.  
 (51) **LOC (12) Cl.** ..... **06-03**  
 (52) **U.S. Cl.**  
 USPC ..... **D6/656.19**  
 (58) **Field of Classification Search**  
 USPC ..... D6/406.1, 406.6, 406.5, 641, 642, 656, D6/656.19, 702, 704, 707, 707.15, 707.19  
 CPC .. A47B 3/00; A47B 3/002; A47B 3/08; A47B 3/0815; A47B 3/0911; A47B 1/00; A47B 7/00; A47B 13/00; A47B 9/00; A47B 13/02; A47B 13/04; A47B 13/06; A47B 13/08; A47B 13/083; A47B 21/00; A47B 23/00; A47B 23/001; A47B 2200/0001; A47B 2200/0011; A47B 2200/002  
 See application file for complete search history.

(56) **References Cited**  
 U.S. PATENT DOCUMENTS  
 240,301 A \* 4/1881 Buss ..... A47B 3/00 108/115  
 1,959,725 A \* 5/1934 Lindsay ..... A47B 3/0815 108/132  
 D619,822 S \* 7/2010 Damgaard-Sorensen ..... A47B 3/00 D6/406.1  
 D879,514 S \* 3/2020 Goldberg ..... D6/656.16  
 D879,515 S \* 3/2020 Goldberg ..... D6/656.16  
 2009/0151608 A1 \* 6/2009 Aldred ..... A47B 3/0912 108/131

\* cited by examiner

*Primary Examiner* — Mary Ann Calabrese  
 (74) *Attorney, Agent, or Firm* — Michael Crilly, Esquire

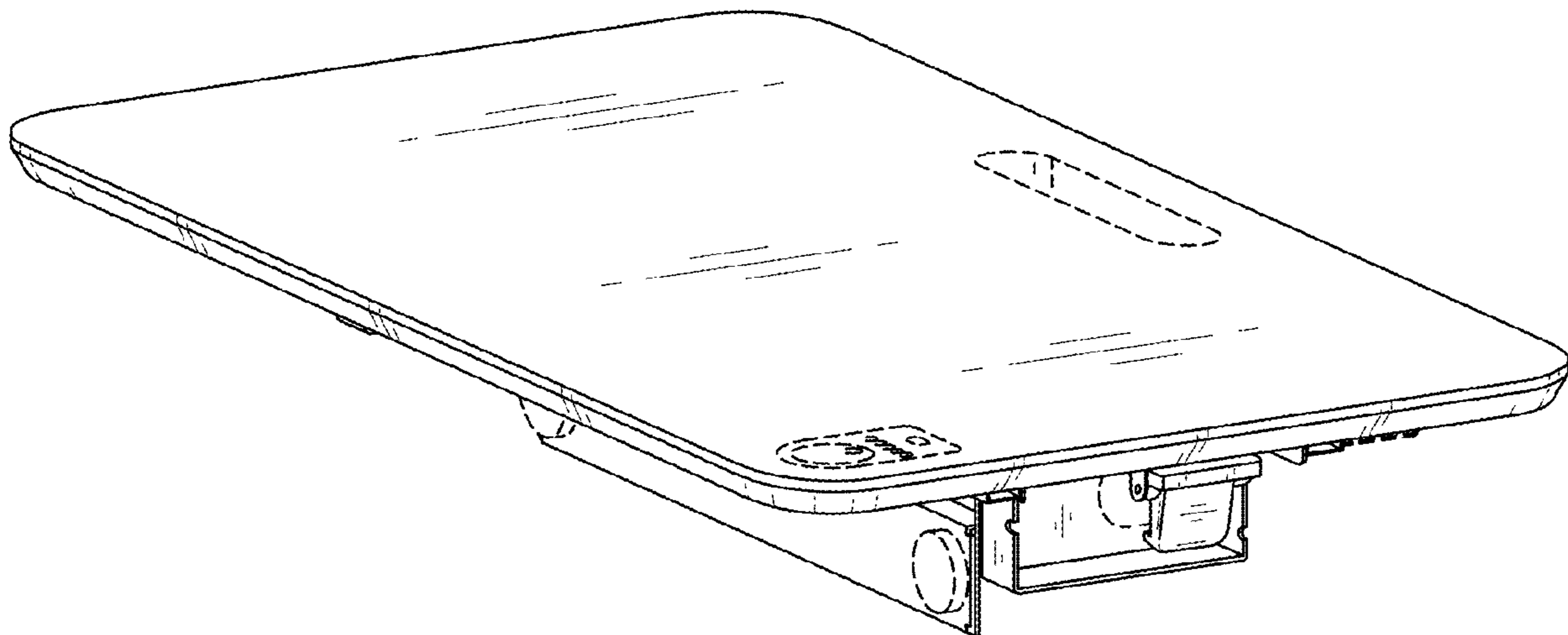
(57) **CLAIM**

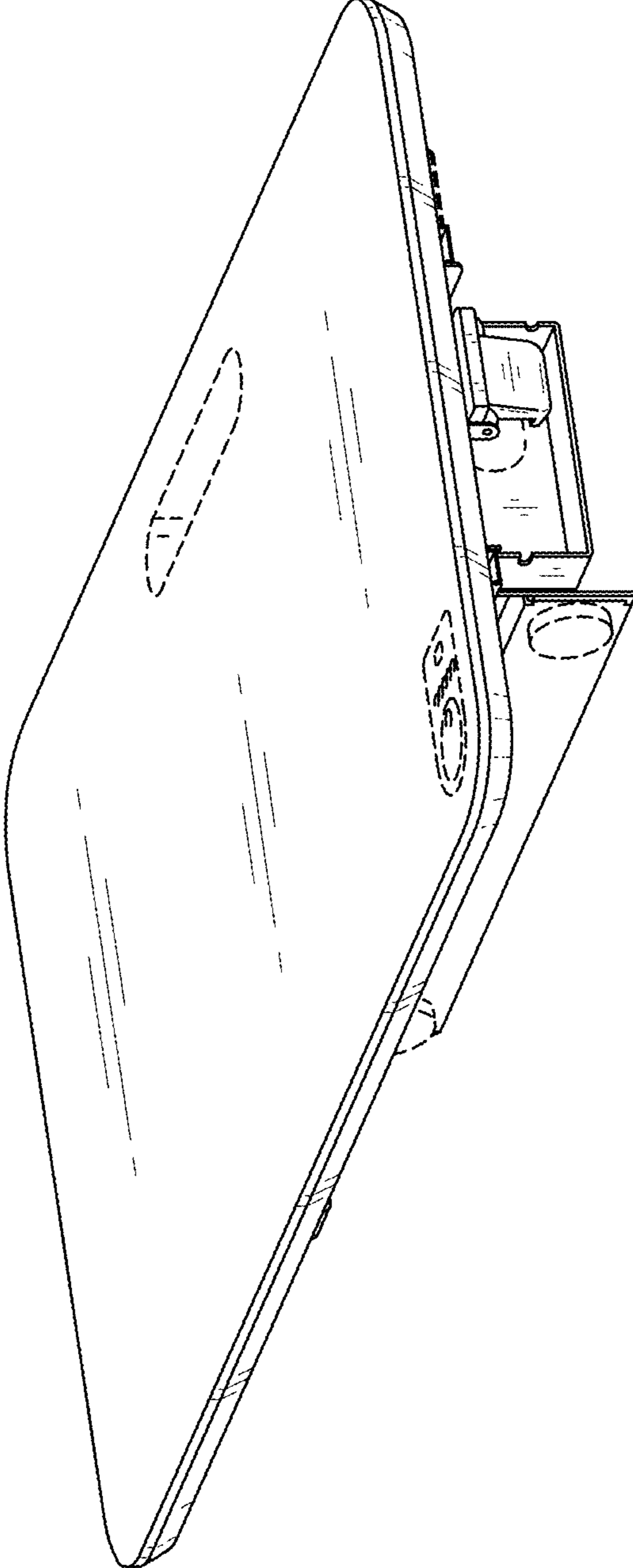
The ornamental design for a desktop with retracted legs, as shown and described.

**DESCRIPTION**

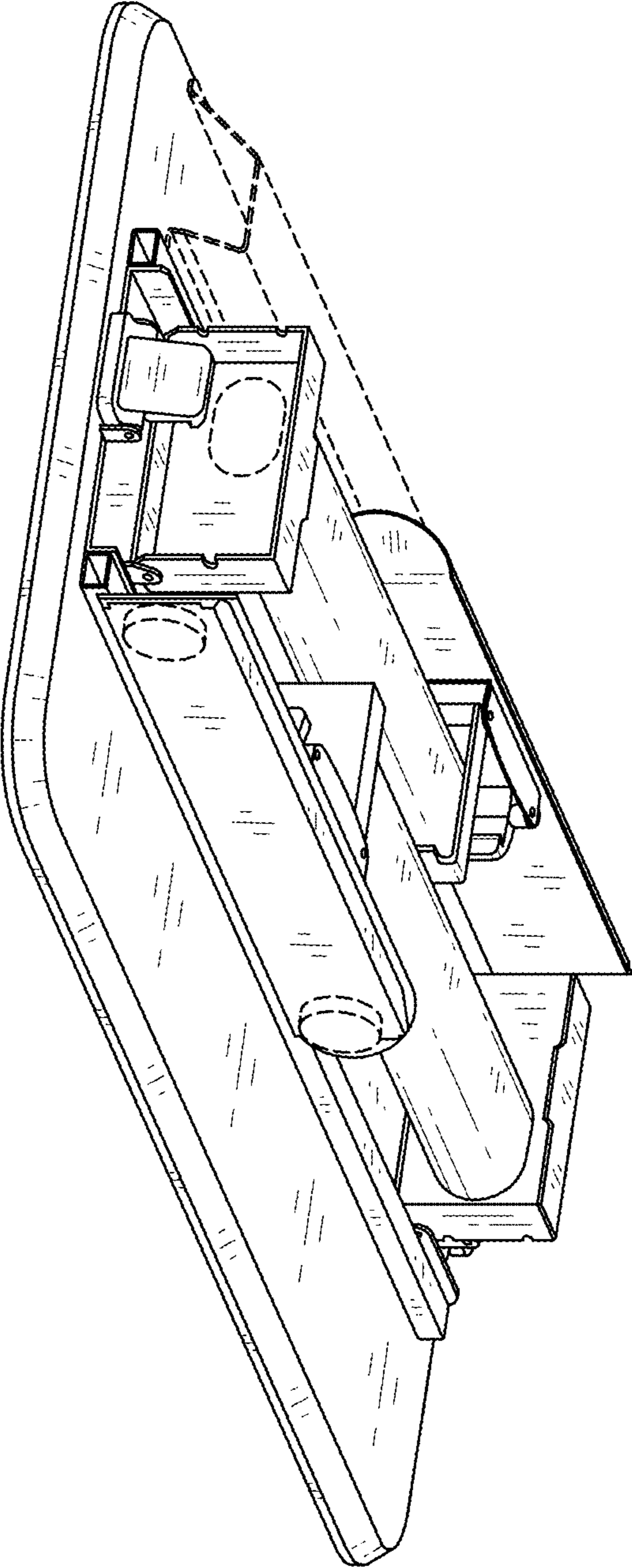
FIG. 1 is a top right side perspective view for a desktop with retracted legs showing our new design;  
 FIG. 2 is a bottom right side perspective view thereof;  
 FIG. 3 is a left side elevation view thereof;  
 FIG. 4 is a right side elevation view thereof;  
 FIG. 5 is a front side elevation view thereof;  
 FIG. 6 is a rear side elevation view thereof;  
 FIG. 7 is a top plan view thereof;  
 FIG. 8 is a bottom plan view thereof; and,  
 FIG. 9 is a fragmentary cross-sectional view taken along line 9-9 in FIG. 8.  
 The broken lines form no part of the claimed design.

**1 Claim, 6 Drawing Sheets**

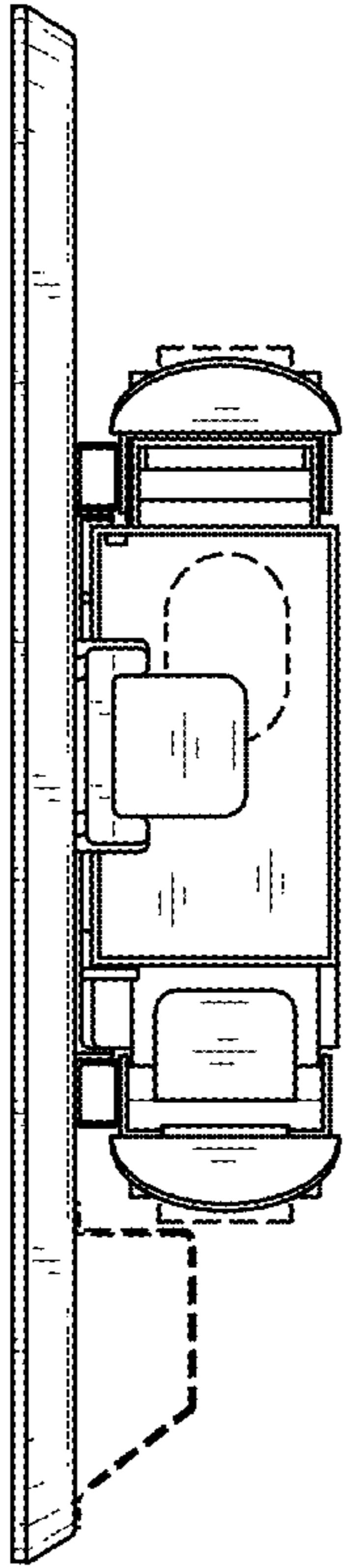




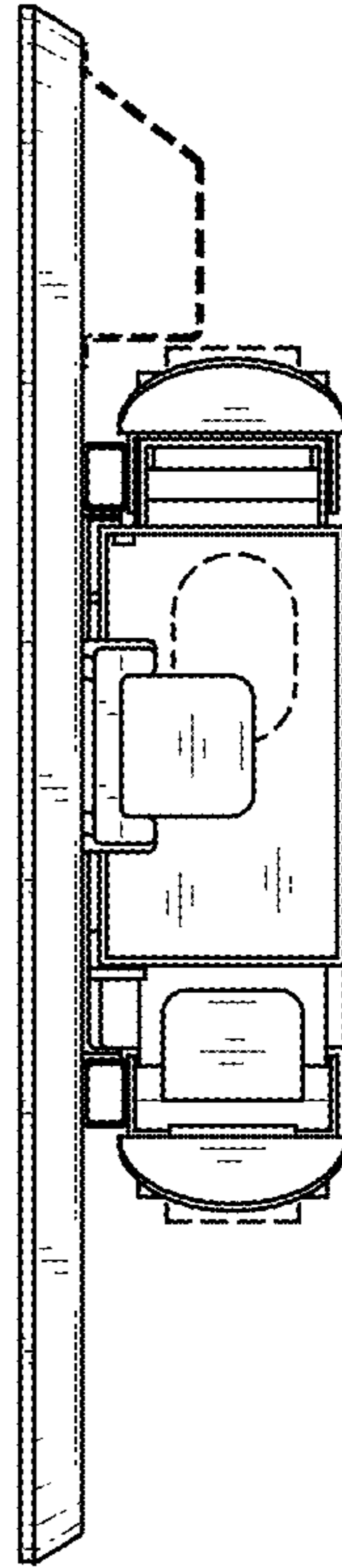
*Fig. 1*



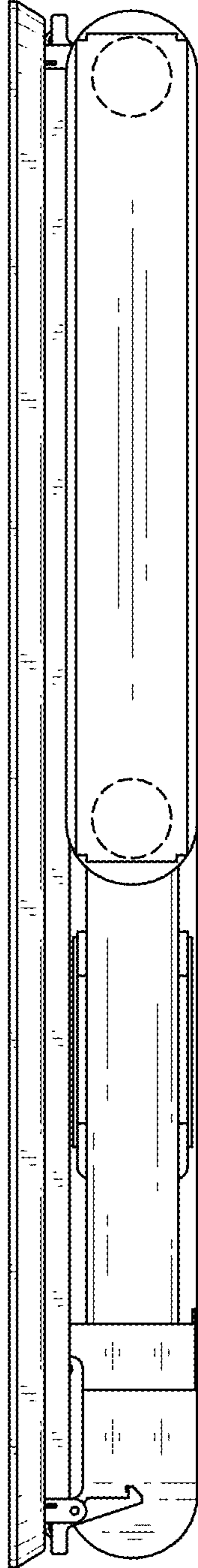
*Fig. 2*



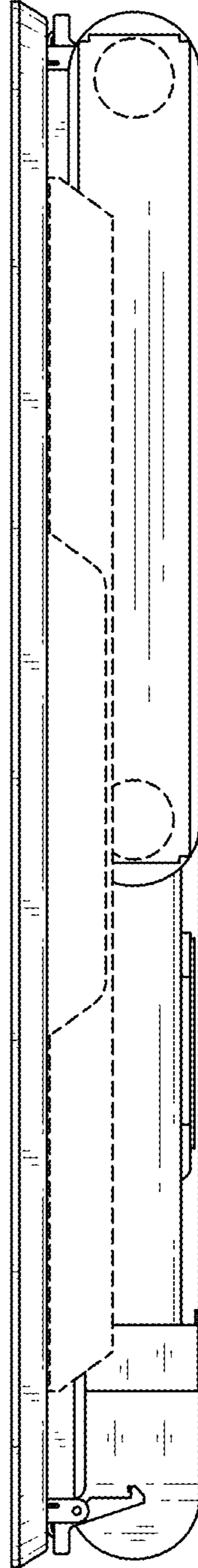
*Fig. 3*



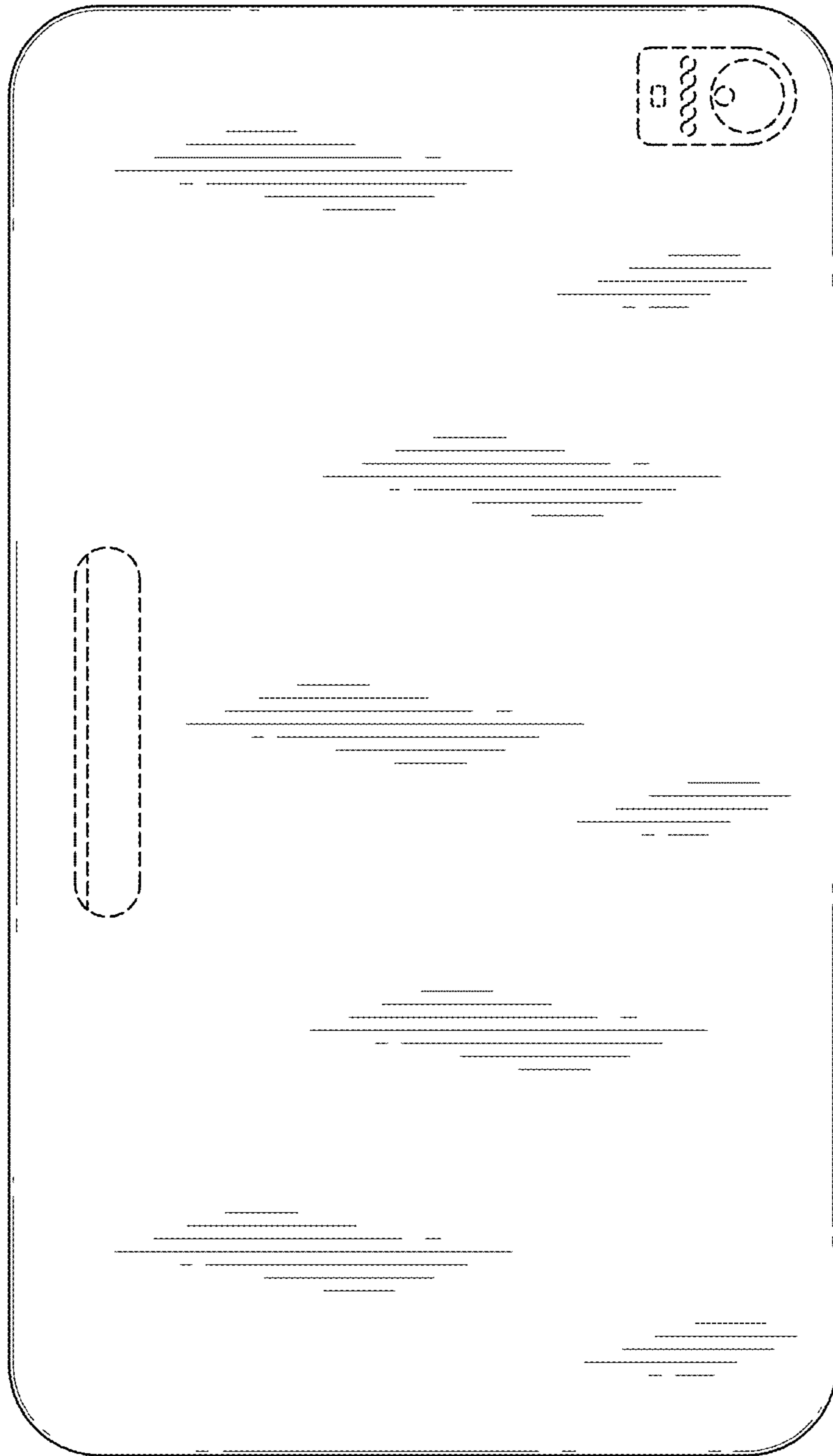
*Fig. 4*



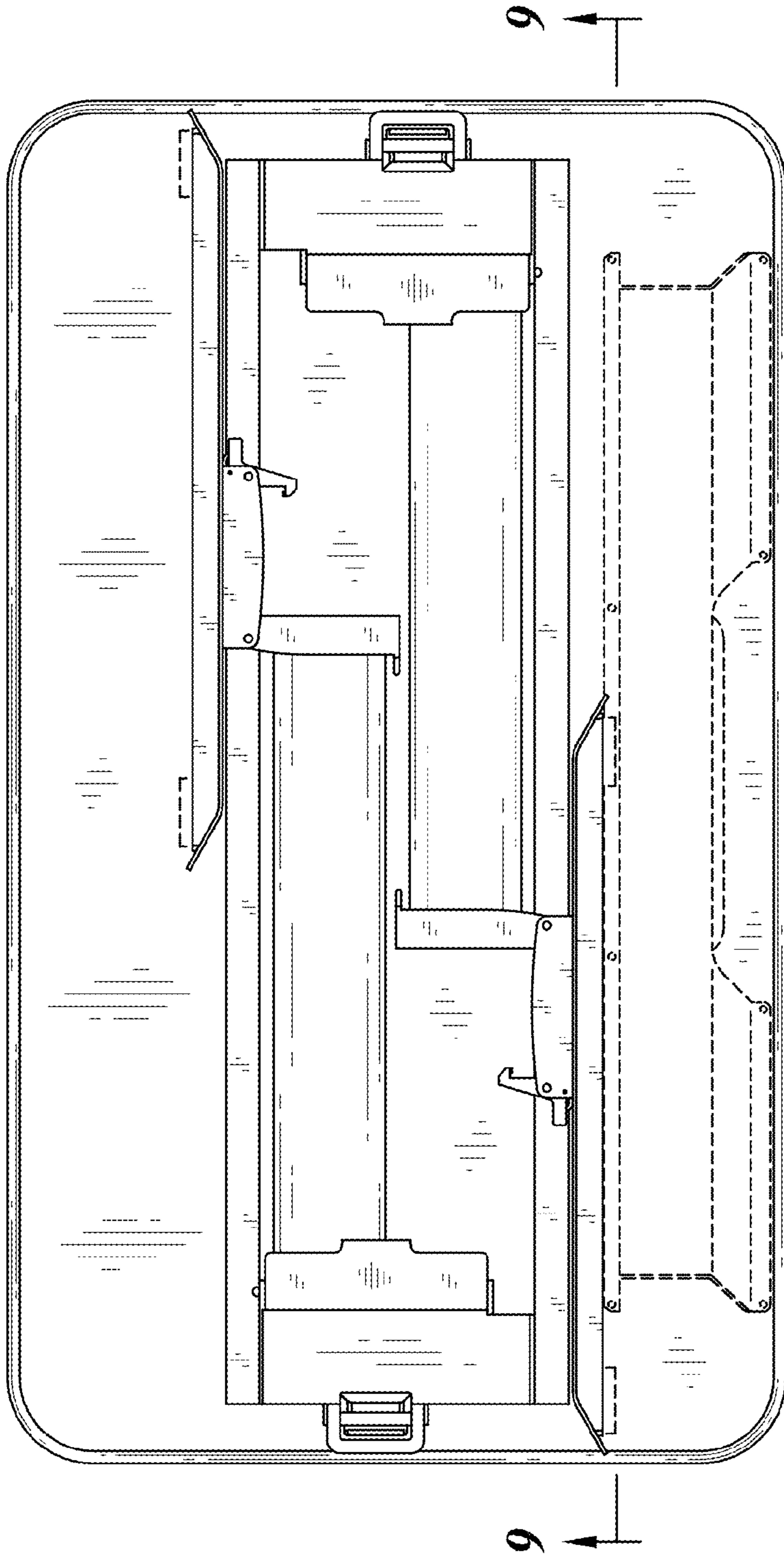
*Fig. 5*



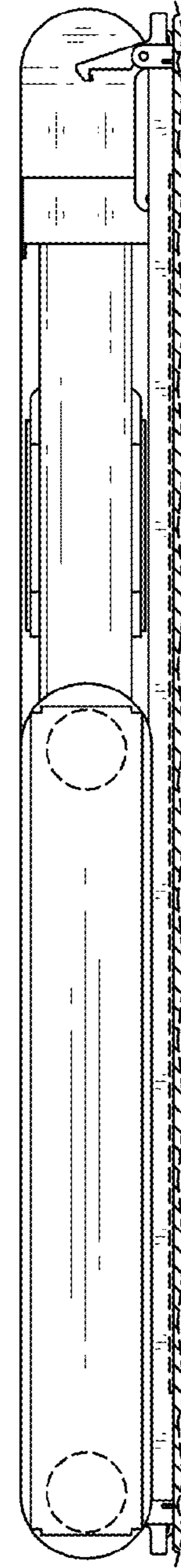
*Fig. 6*



**Fig. 7**



*Fig. 8*



*Fig. 9*