



US00D895325S

(12) **United States Design Patent** (10) **Patent No.:** **US D895,325 S**  
**Goldberg et al.** (45) **Date of Patent:** **\*\* Sep. 8, 2020**

(54) **DESKTOP WITH STOWED LEGS**

FOREIGN PATENT DOCUMENTS

(71) Applicant: **Playground Store Limited**, Tsim Sha Tsui East (HK)

CH 588230 A5 5/1977  
CH 632654 A5 10/1982

(Continued)

(72) Inventors: **Daniel Goldberg**, Lido Beach, NY (US); **Robert Levine**, Shouson Hill (HK); **Jedediah J. McCann**, Seattle, WA (US); **Gregory T. Janky**, Sammamish, WA (US); **Treasure Hinds**, Issaquah, WA (US)

OTHER PUBLICATIONS

International Search Report for PCT/IB2018/000477 by the China National Intellectual Property Administration, dated Jan. 29, 2019, 4 pages.

(Continued)

(73) Assignee: **Playground Store Limited**, Hong Kong (HK)

*Primary Examiner* — Mary Ann Calabrese

(\*\*) Term: **15 Years**

(74) *Attorney, Agent, or Firm* — Michael Crilly, Esquire

(21) Appl. No.: **29/644,198**

(57) **CLAIM**

(22) Filed: **Apr. 16, 2018**

The ornamental design for a desktop with stowed legs, as shown and described.

(51) **LOC (12) Cl.** ..... **06-03**

(52) **U.S. Cl.**  
USPC ..... **D6/656.19**

**DESCRIPTION**

(58) **Field of Classification Search**  
USPC ..... D6/406.1, 406.6, 406.5, 641, 642, 656, D6/656.19, 702, 704, 707, 707.15, 707.19  
CPC .. A47B 3/00; A47B 3/002; A47B 3/08; A47B 3/0815; A47B 3/0911; A47B 1/00; A47B 7/00; A47B 13/00; A47B 9/00; A47B 13/02; A47B 13/04; A47B 13/06; A47B 13/08; A47B 13/083; A47B 21/00; A47B 23/00; A47B 23/001; A47B 2200/0001; A47B 2200/0011; A47B 2200/002  
See application file for complete search history.

This application is related to concurrently filed, and commonly assigned U.S. Design patent application Ser. No. 29/644,168 entitled Desk now U.S. Pat. No. D879,514 and PCT Application No. PCT/US2018/027701 entitled Desk System, the disclosures of which are hereby incorporated herein by reference thereto.

FIG. 1 is a top right side perspective view for a desktop with stowed legs showing our new design;  
FIG. 2 is a bottom right side perspective view thereof;  
FIG. 3 is a left side elevation view thereof;  
FIG. 4 is a right side elevation view thereof;  
FIG. 5 is a front side elevation view thereof;  
FIG. 6 is a rear side elevation view thereof;  
FIG. 7 is a top plan view thereof;  
FIG. 8 is a bottom plan view thereof; and,  
FIG. 9 is a fragmentary cross-sectional view taken along line 9-9 in FIG. 8.

The broken lines form no part of the claimed design.

(56) **References Cited**

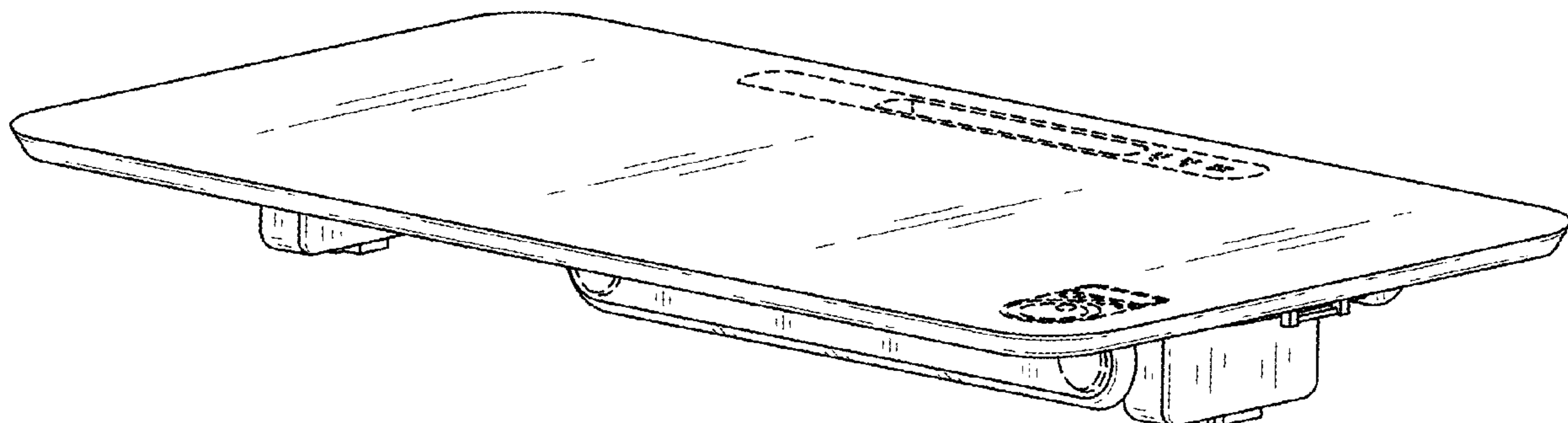
U.S. PATENT DOCUMENTS

240,301 A \* 4/1881 Buss ..... A47B 3/00  
108/115

617,669 A 1/1899 Blakemore  
1,203,783 A 11/1916 Reischmann

(Continued)

**1 Claim, 6 Drawing Sheets**



(56)

References Cited

U.S. PATENT DOCUMENTS

1,216,414 A 2/1917 Calkins  
 1,788,666 A 1/1931 Enders  
 1,959,725 A 5/1934 Lindsay  
 2,683,277 A 7/1954 Bernaerts  
 2,684,275 A 7/1954 Guth et al.  
 2,684,883 A 7/1954 Wigell  
 2,805,906 A 9/1957 Hoven et al.  
 2,911,274 A 11/1959 Grube  
 3,676,279 A 7/1972 Beaver  
 3,845,728 A 11/1974 Pirelli  
 4,079,679 A 3/1978 Bechtold  
 4,238,100 A 12/1980 Shy  
 4,323,291 A 4/1982 Ball  
 4,440,096 A 4/1984 Rice et al.  
 4,444,124 A 4/1984 Burr  
 4,561,622 A 12/1985 Heinzl  
 4,573,415 A 3/1986 Ramey  
 4,654,756 A 3/1987 Wilson et al.  
 4,714,025 A 12/1987 Wallin et al.  
 4,792,881 A 12/1988 Wilson et al.  
 D299,798 S 2/1989 Sottsas et al.  
 4,883,314 A 11/1989 Sakong  
 4,890,869 A 1/1990 Langkamp, Jr.  
 4,927,105 A 5/1990 Habermann  
 5,088,421 A 2/1992 Beckstead  
 5,101,736 A 4/1992 Bommarito et al.  
 D334,678 S 4/1993 Hinden  
 D335,406 S 5/1993 Vonhausen  
 5,226,250 A 7/1993 Ulmer et al.  
 5,231,562 A 7/1993 Pierce et al.  
 5,259,326 A 11/1993 Borgman et al.  
 5,323,695 A 6/1994 Borgman et al.  
 5,323,713 A 6/1994 Luyk et al.  
 5,404,962 A 4/1995 Carter  
 5,495,811 A 3/1996 Carson et al.  
 5,562,051 A 10/1996 Rizzi  
 5,636,578 A 6/1997 Rizzi  
 5,669,314 A 9/1997 Grant  
 5,673,633 A 10/1997 Pfister  
 5,709,156 A 1/1998 Gevaert et al.  
 5,711,098 A 1/1998 Warne  
 D399,077 S 10/1998 Lepper et al.  
 5,845,589 A 12/1998 Pfister  
 D410,806 S 6/1999 Olson  
 6,086,028 A 7/2000 Pfister  
 6,202,567 B1 3/2001 Funk et al.  
 6,202,571 B1 3/2001 Pallares  
 6,595,144 B1 7/2003 Doyle  
 6,637,352 B1 10/2003 Thode et al.  
 6,920,832 B2 7/2005 Lou-Hao  
 6,962,115 B2 11/2005 Markling et al.  
 7,350,469 B2 4/2008 Koning et al.  
 7,631,604 B2 12/2009 Huang  
 D619,822 S \* 7/2010 Damgaard-Sorensen .....  
 7,908,981 B2 3/2011 Agee D6/406.1  
 7,942,100 B2 5/2011 Grove et al.  
 8,051,782 B2 11/2011 Nethken et al.  
 8,069,795 B1 12/2011 Williams et al.  
 8,087,738 B2 1/2012 Henriott et al.  
 8,132,517 B2 3/2012 Leng  
 8,240,257 B2 8/2012 Frost  
 8,256,359 B1 9/2012 Agee  
 D675,041 S 1/2013 Mecherle  
 8,413,594 B2 4/2013 Ensley  
 8,490,555 B1 7/2013 Agee  
 8,893,628 B2 11/2014 Mckenzie, III et al.  
 8,925,469 B2 1/2015 Bennie et al.  
 9,038,549 B1 5/2015 Zebarjad  
 9,084,475 B2 7/2015 Hjelm  
 9,486,070 B2 11/2016 Labrosse et al.  
 9,504,318 B1 11/2016 O'Keefe et al.  
 D776,961 S 1/2017 Yamamoto  
 9,585,467 B2 3/2017 Leng

9,609,945 B2 4/2017 Krusin et al.  
 9,635,932 B2 5/2017 Kelley et al.  
 9,723,920 B1 8/2017 Wu  
 9,814,307 B1 11/2017 Hall  
 9,907,396 B1 3/2018 Labrosse et al.  
 9,971,340 B1 5/2018 Labrosse et al.  
 D819,371 S 6/2018 Cao  
 9,993,068 B2 6/2018 Lin  
 D846,917 S 4/2019 Hu  
 D862,129 S 10/2019 Hu  
 10,455,932 B2 10/2019 Lin  
 D879,514 S \* 3/2020 Goldberg ..... A47B 3/00  
 D6/656.16  
 D879,515 S \* 3/2020 Goldberg ..... D6/656.16  
 2003/0167980 A1 9/2003 Suzuki  
 2005/0183641 A1 8/2005 Suzuki  
 2005/0235886 A1 10/2005 Koning et al.  
 2005/0263045 A1 12/2005 Lietuvietis  
 2006/0021553 A1 2/2006 Pleiman et al.  
 2007/0157856 A1 7/2007 Skoog et al.  
 2007/0234934 A1 10/2007 Branch et al.  
 2007/0289506 A1 12/2007 Branch et al.  
 2008/0245279 A1 10/2008 Pan  
 2009/0151608 A1 6/2009 Aldred  
 2010/0175598 A1 7/2010 Ballendat  
 2010/0231102 A1 9/2010 Block et al.  
 2011/0147547 A1 6/2011 Fitzpatrick et al.  
 2012/0248910 A1 10/2012 Randlov  
 2013/0293173 A1 11/2013 Strothmann  
 2014/0165884 A1 6/2014 O'Gara  
 2015/0096477 A1 4/2015 Liu et al.  
 2016/0037904 A1 2/2016 Wu  
 2016/0170402 A1 6/2016 Lindstrom  
 2016/0309889 A1 10/2016 Lin et al.  
 2017/0042322 A1 2/2017 Labrosse et al.  
 2017/0055720 A1 3/2017 Lin et al.  
 2017/0251806 A1 9/2017 Newman  
 2017/0354244 A1 12/2017 Lee et al.  
 2017/0354248 A1 12/2017 Cohen et al.  
 2018/0110324 A1 4/2018 Keller et al.  
 2019/0082823 A1 3/2019 Applegate

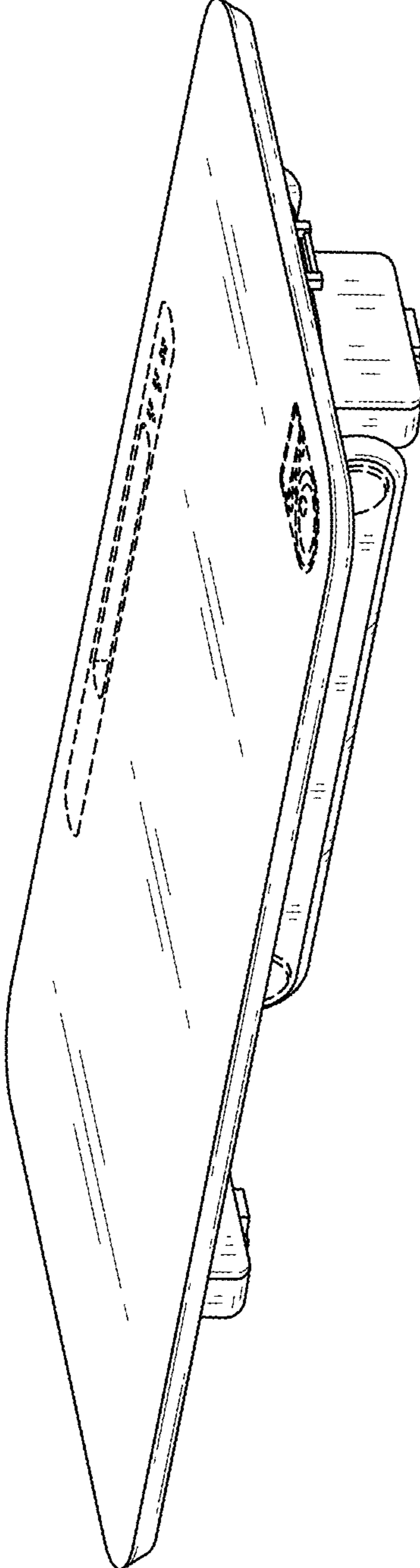
FOREIGN PATENT DOCUMENTS

CN 1795784 A 7/2006  
 CN 200947912 Y 9/2007  
 CN 101677680 A 3/2010  
 CN 203776371 U 8/2014  
 CN 105476268 A 4/2016  
 DE 1654640 B1 2/1971  
 DE 9104753 U1 7/1991  
 DE 202014101396 U1 5/2014  
 DE 102015008908 A1 1/2017  
 EP 0176955 A2 4/1986  
 EP 1498047 A1 1/2005  
 EP 1829461 A2 9/2007  
 EP 1836925 A1 9/2007  
 EP 2027793 A1 2/2009  
 EP 2796071 A1 10/2014  
 EP 2881007 A1 10/2015  
 EP 3001929 A1 4/2016  
 GB 191517508 9/1920  
 GB 783688 9/1957  
 GB 930899 A 7/1963  
 GB 2446570 A 8/2008  
 NL 1028900 10/2006  
 WO 2005085661 A1 9/2005  
 WO 2014/153613 A1 10/2014  
 WO 2016059534 A1 4/2016

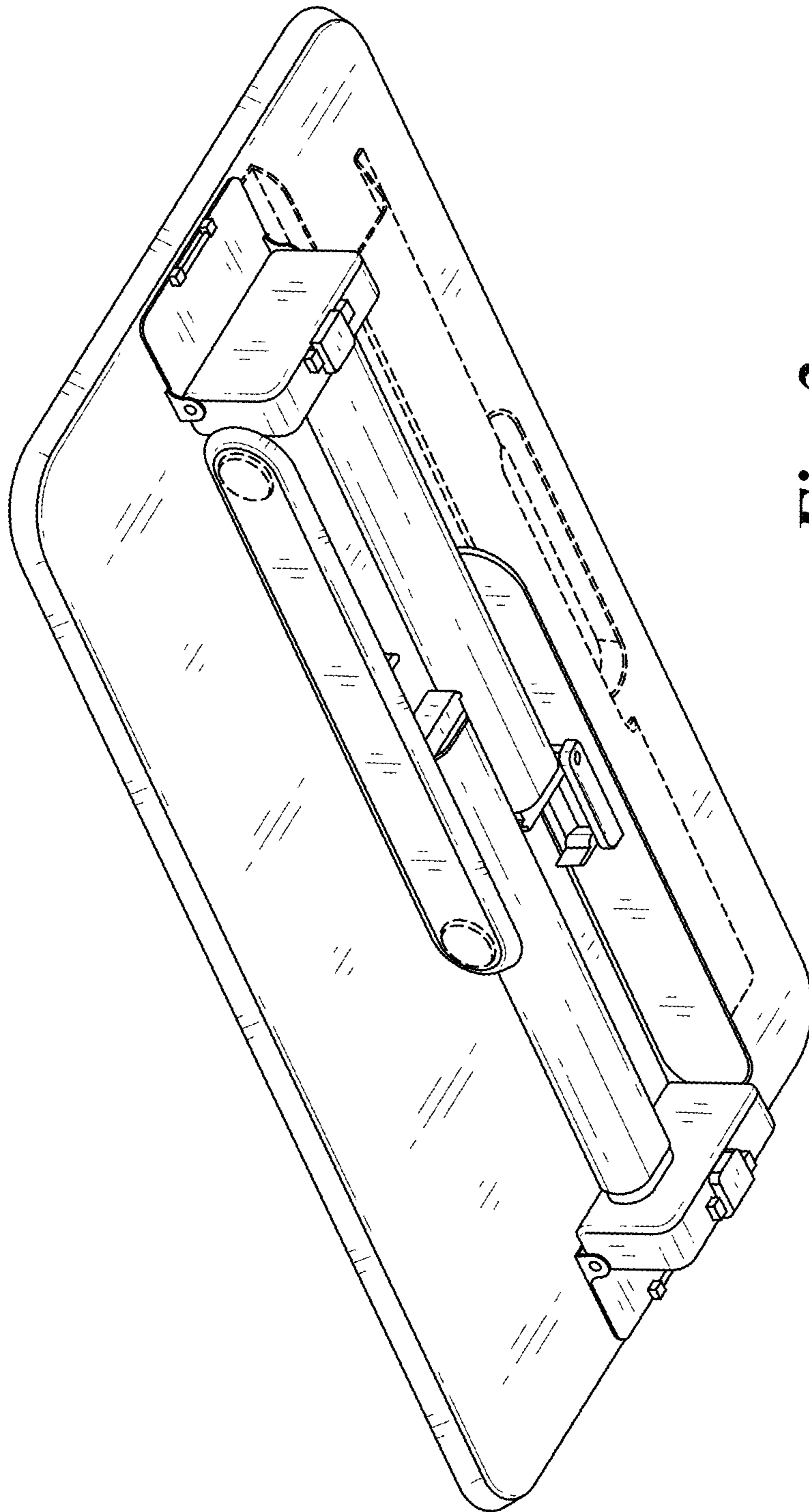
OTHER PUBLICATIONS

Written Opinion of the International Search Authority for PCT/IB2018/000477 by the China National Intellectual Property Administration, dated Jan. 29, 2019, 4 pages.

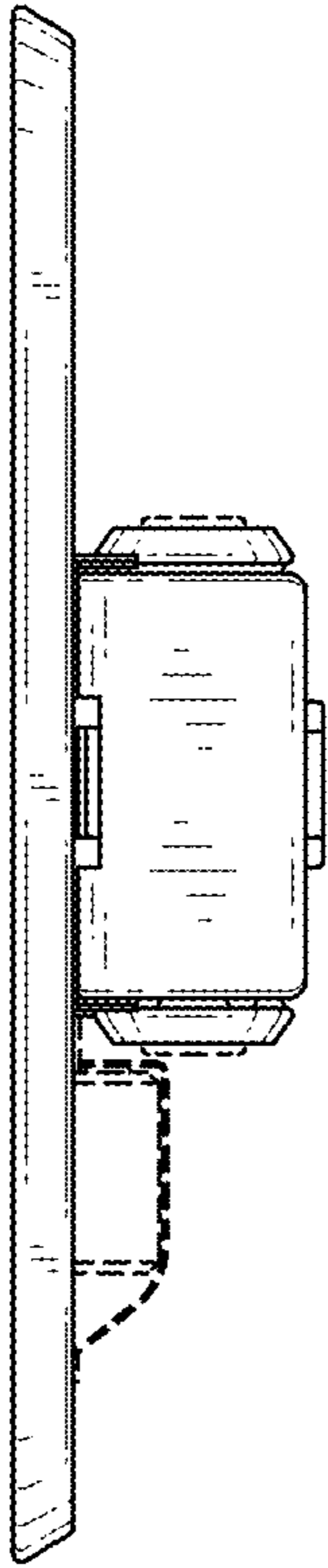
\* cited by examiner



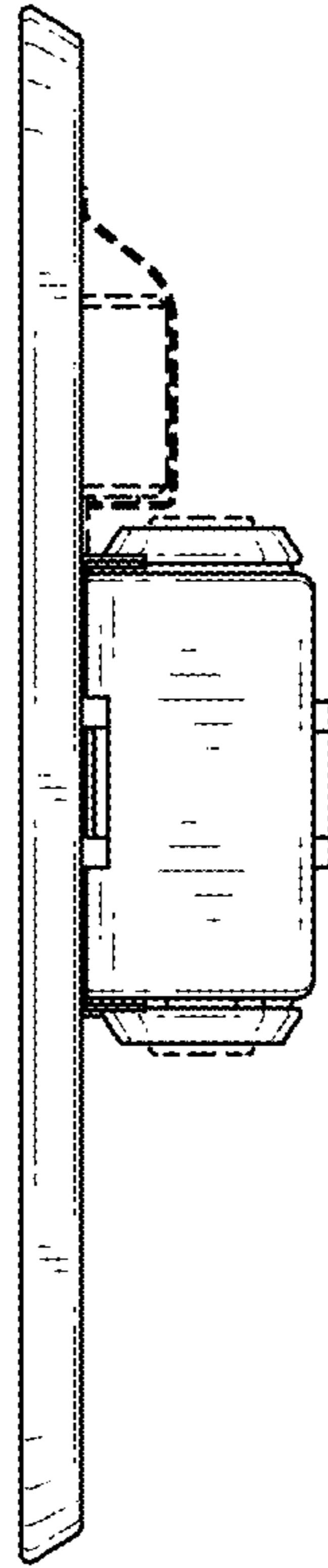
*Fig. 1*



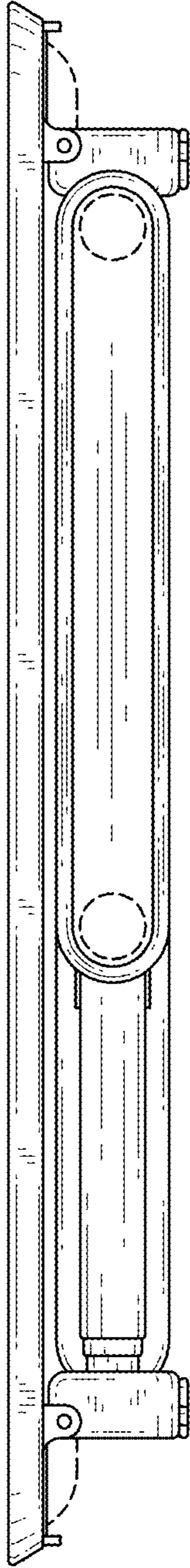
*Fig. 2*



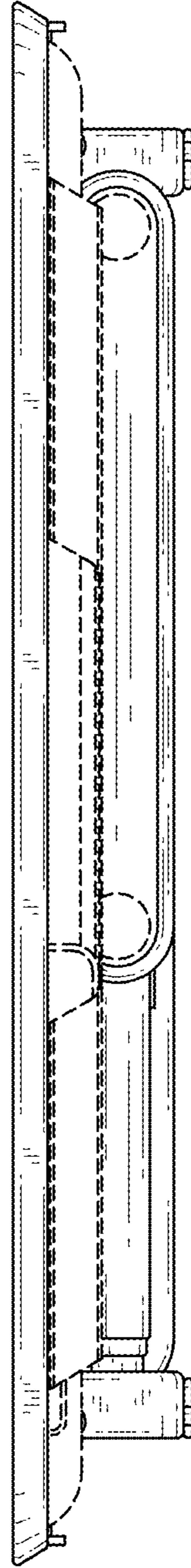
*Fig. 3*



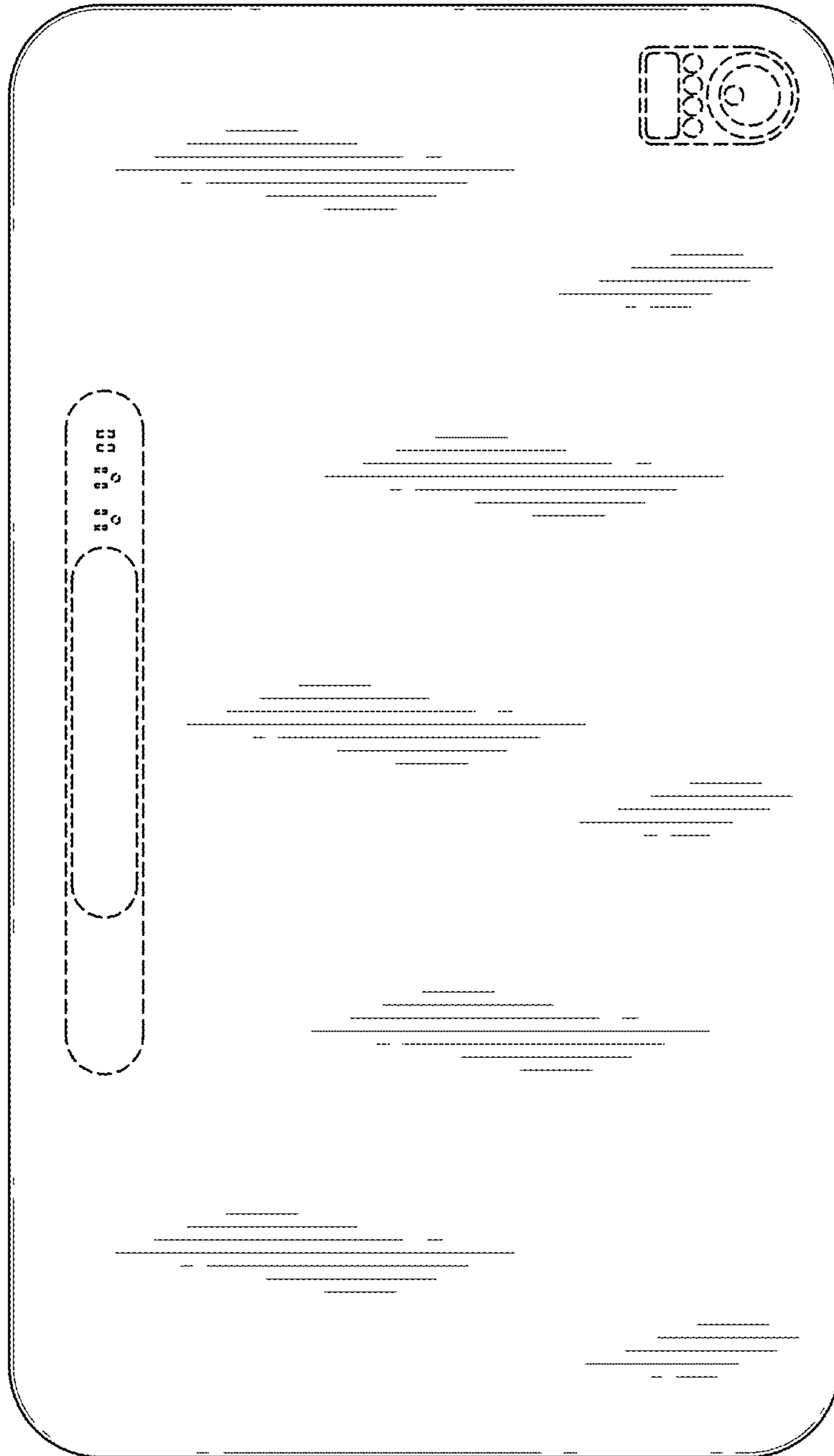
*Fig. 4*



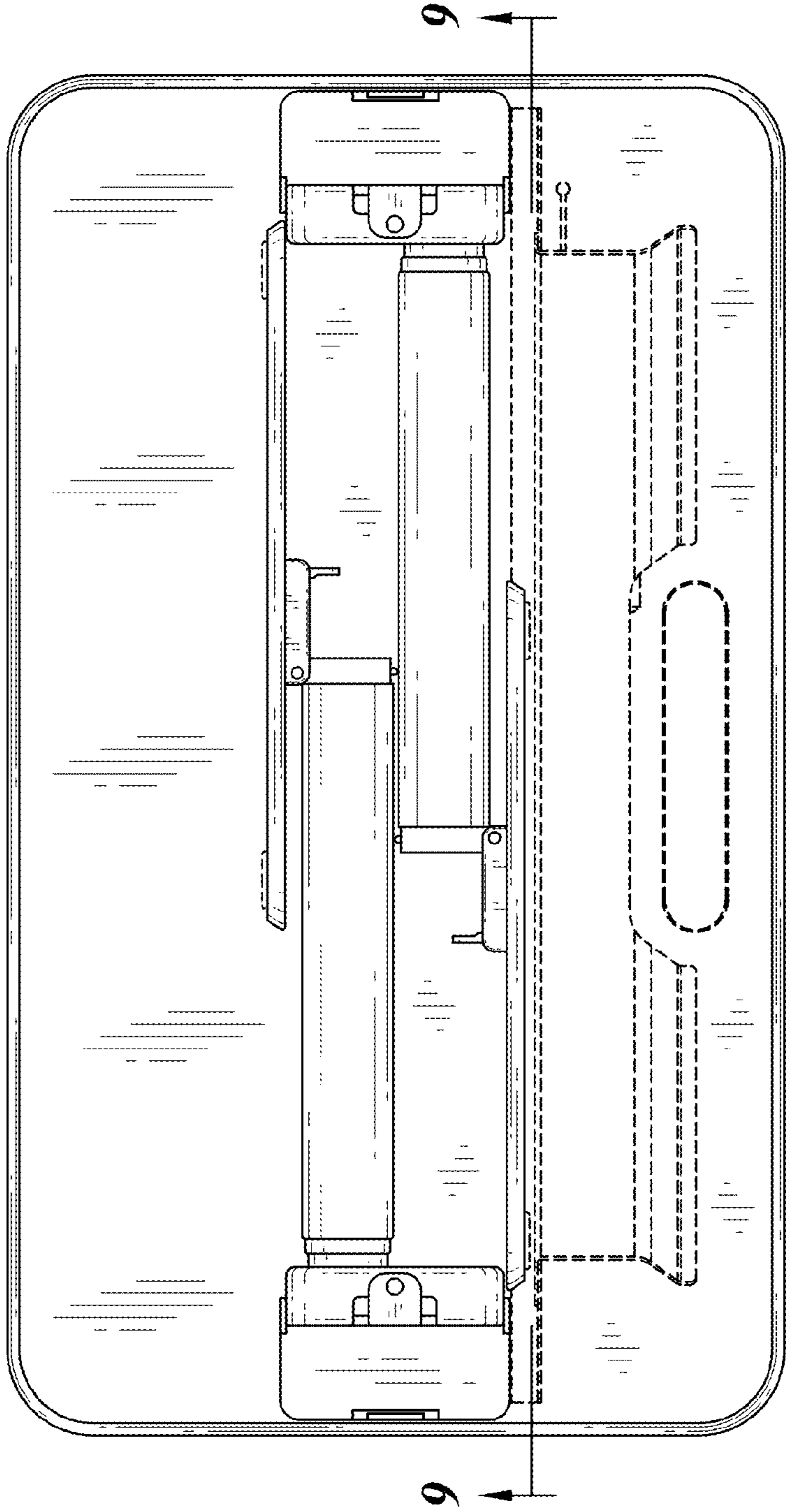
*Fig. 5*



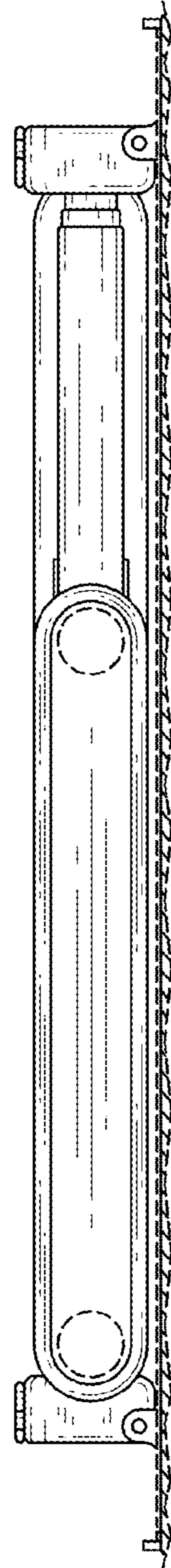
*Fig. 6*



*Fig. 7*



*Fig. 8*



*Fig. 9*