



US00D895323S

(12) **United States Design Patent** (10) **Patent No.:** **US D895,323 S**  
**St. Rose et al.** (45) **Date of Patent:** **\*\* Sep. 8, 2020**

(54) **BENCH COVER**  
 (71) Applicants: **Mario St. Rose**, Oakland, CA (US);  
**John Andrew Hardy**, Vallejo, CA (US)  
 (72) Inventors: **Mario St. Rose**, Oakland, CA (US);  
**John Andrew Hardy**, Vallejo, CA (US)  
 (\*\*) Term: **15 Years**

5,921,626 A \* 7/1999 Baker ..... A47C 7/021  
 297/219.1  
 6,243,873 B1 \* 6/2001 Aliff ..... A41D 3/08  
 2/84  
 6,254,182 B1 \* 7/2001 Townsend ..... A47C 31/116  
 297/219.1  
 D636,211 S \* 4/2011 Kolander ..... D6/601  
 D793,125 S \* 8/2017 Bemis ..... D6/611  
 D795,603 S \* 8/2017 Bemis ..... D6/368  
 9,730,521 B2 \* 8/2017 Paterson ..... A47C 7/16  
 2020/0046138 A1 \* 2/2020 St. Rose ..... A47C 31/007

(21) Appl. No.: **29/662,225**  
 (22) Filed: **Sep. 4, 2018**  
 (51) **LOC (12) Cl.** ..... **06-13**  
 (52) **U.S. Cl.**  
 USPC ..... **D6/611**  
 (58) **Field of Classification Search**  
 USPC ..... D3/304, 307, 309; D6/601, 610, 611,  
 D6/616; D21/694, 676, 690  
 CPC ..... A47C 31/113; A47C 31/116; A47C 4/28;  
 A47C 4/283; A47C 4/286; A47C 4/32;  
 A47C 4/34; A47C 4/36; A47C 4/40;  
 A47C 4/42; A47C 4/44; A47C 4/46;  
 A47C 4/48; A47C 4/50; A47C 7/021;  
 A47C 7/425; A47C 7/62; A47C 7/66;  
 A47C 27/003; A47C 27/005; A47C  
 27/006; A47C 27/007; A47C 27/008;  
 A47C 27/05; A47C 27/053; A47C  
 27/056; A47C 31/00; A47C 31/007; A47C  
 31/10; A47C 31/11  
 See application file for complete search history.

FOREIGN PATENT DOCUMENTS

KR 301025892 \* 10/2019

\* cited by examiner

*Primary Examiner* — Cynthia Ramirez  
*Assistant Examiner* — Xavier Marti-Santos

(57) **CLAIM**

The ornamental design for a bench cover, as shown and described.

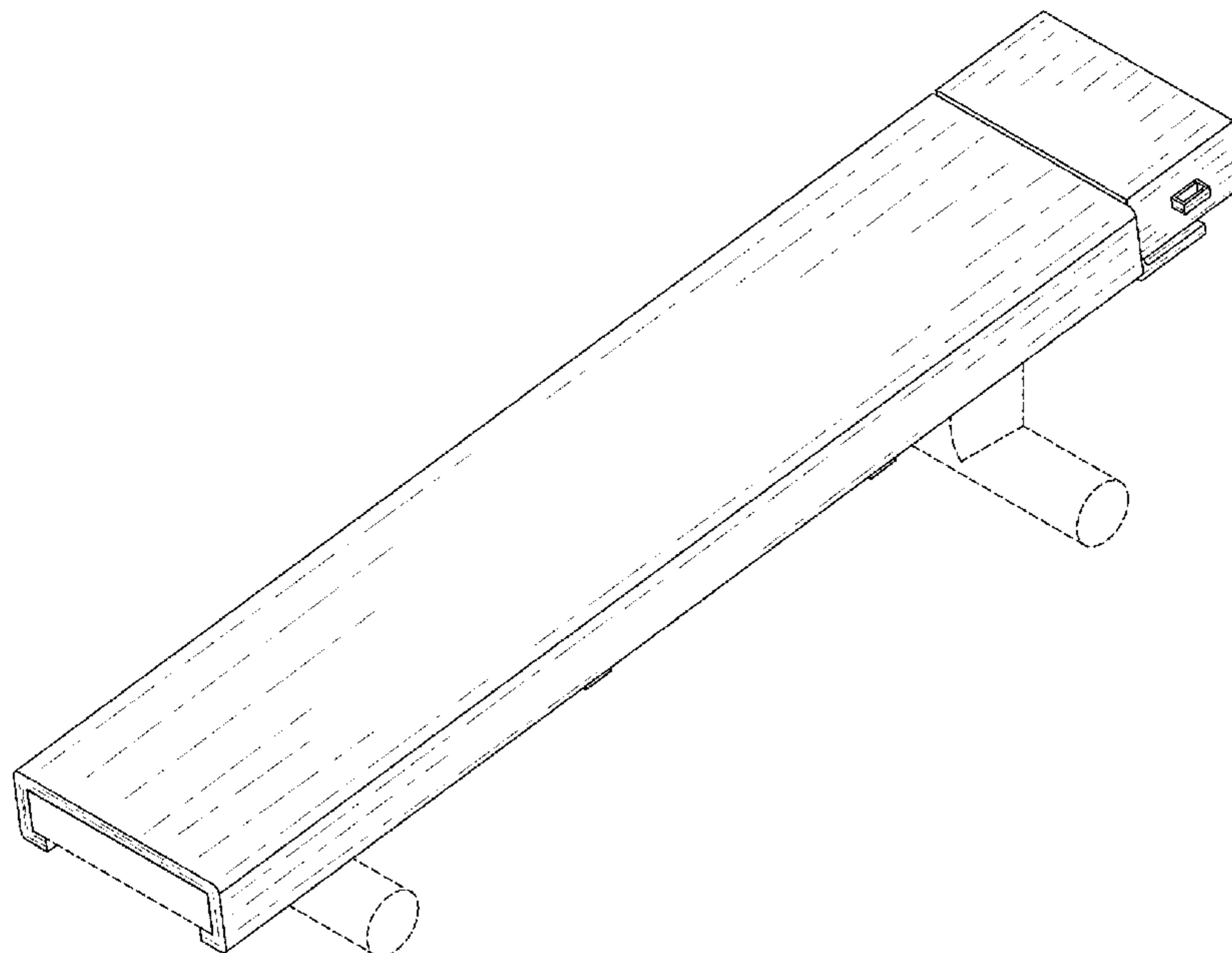
**DESCRIPTION**

FIG. 1 is a top front perspective view of a bench cover showing our new design;  
 FIG. 2 is a bottom front perspective view thereof;  
 FIG. 3 is a bottom rear perspective view thereof;  
 FIG. 4 is a front view thereof;  
 FIG. 5 is a rear view thereof;  
 FIG. 6 is a right view thereof;  
 FIG. 7 is a left view thereof;  
 FIG. 8 is a top view thereof; and,  
 FIG. 9 is a bottom view thereof.  
 The broken lines in FIGS. 1 through 9 are included for the purpose of illustrating environmental structure and form no part of the claimed design.

(56) **References Cited**  
 U.S. PATENT DOCUMENTS

D321,606 S \* 11/1991 McKinney ..... D6/335  
 5,080,431 A \* 1/1992 Frazier ..... B62J 1/20  
 297/184.11  
 D330,978 S \* 11/1992 Vasquez ..... 297/183.8

**1 Claim, 9 Drawing Sheets**



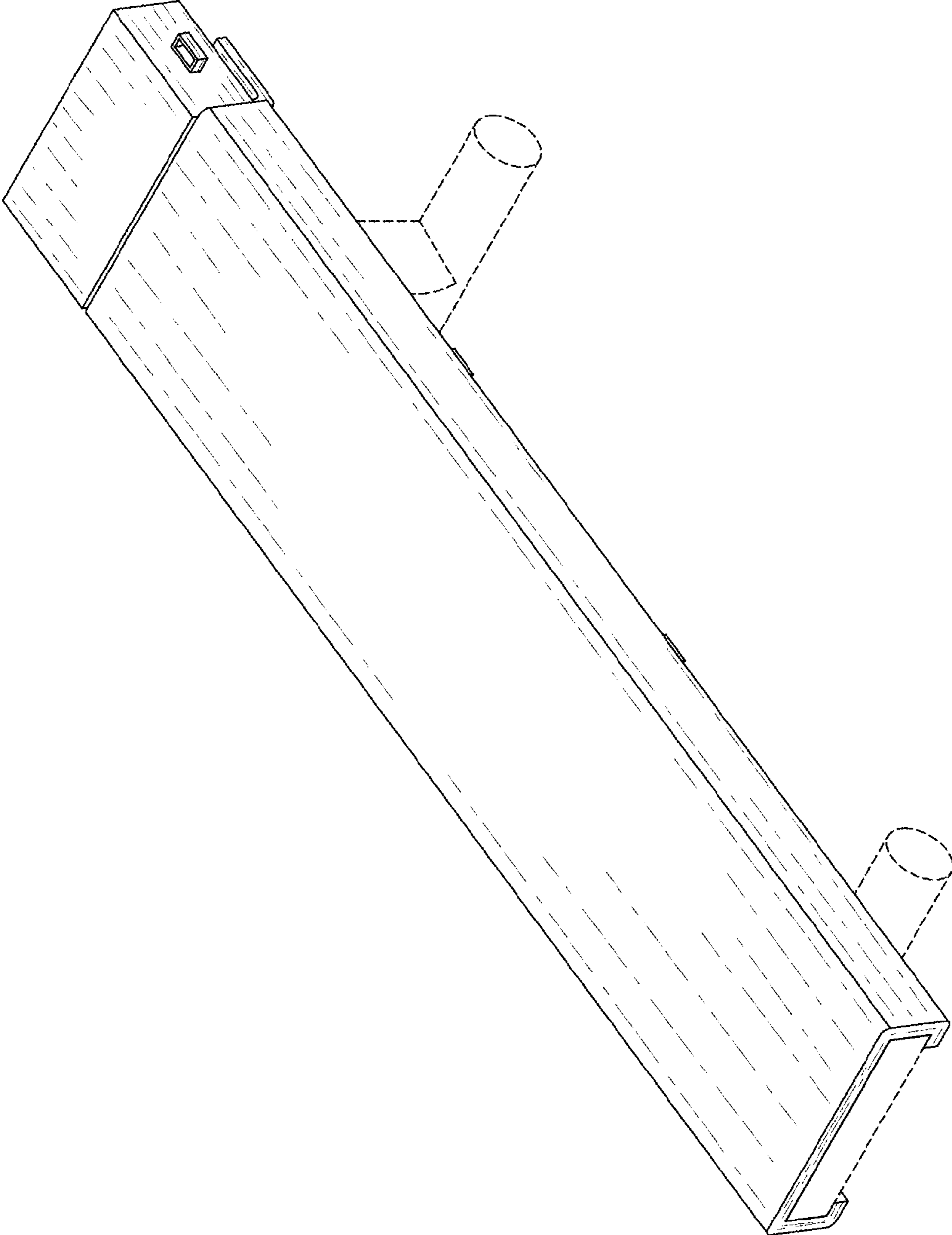


FIG 1

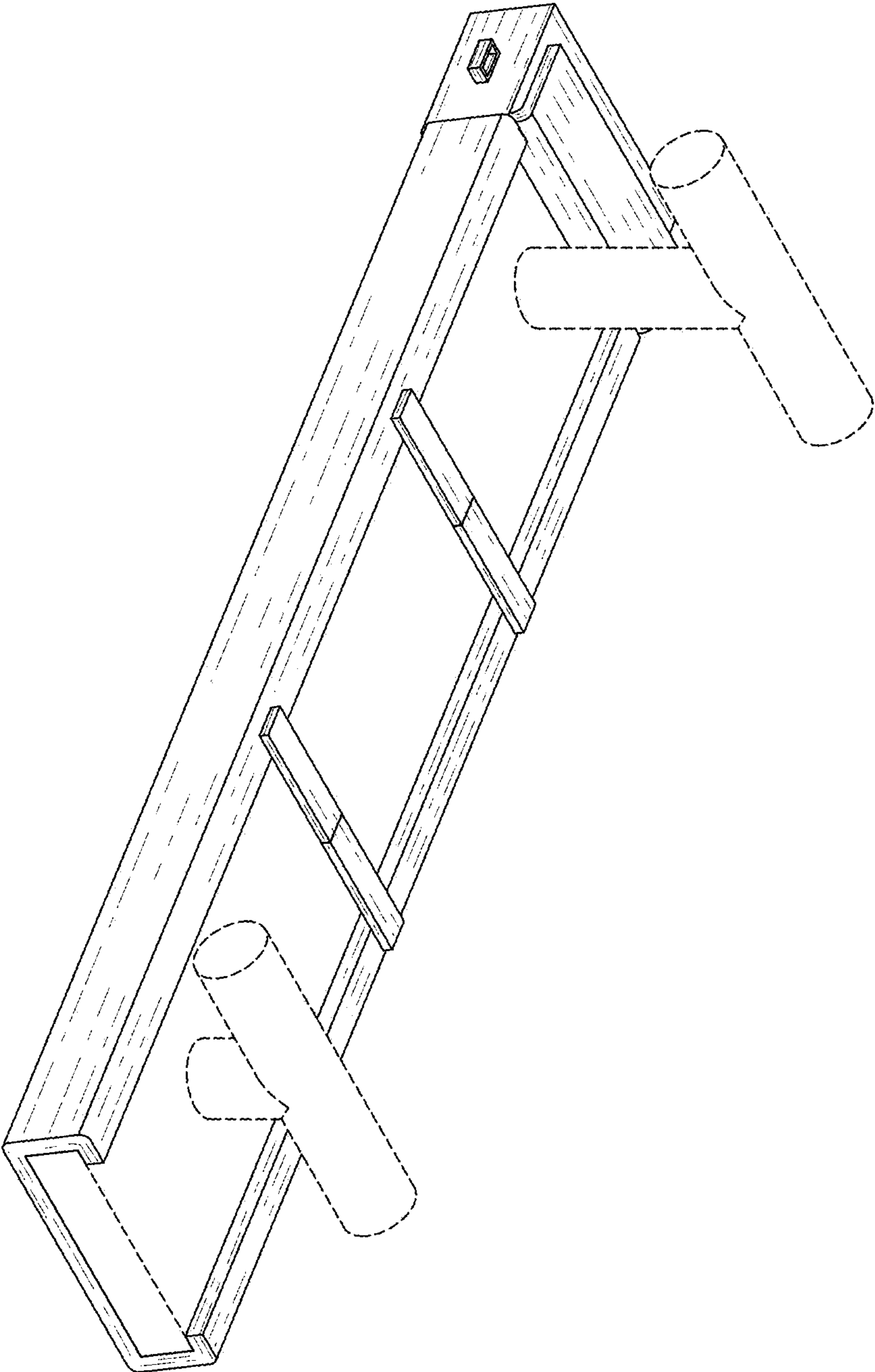


FIG 2

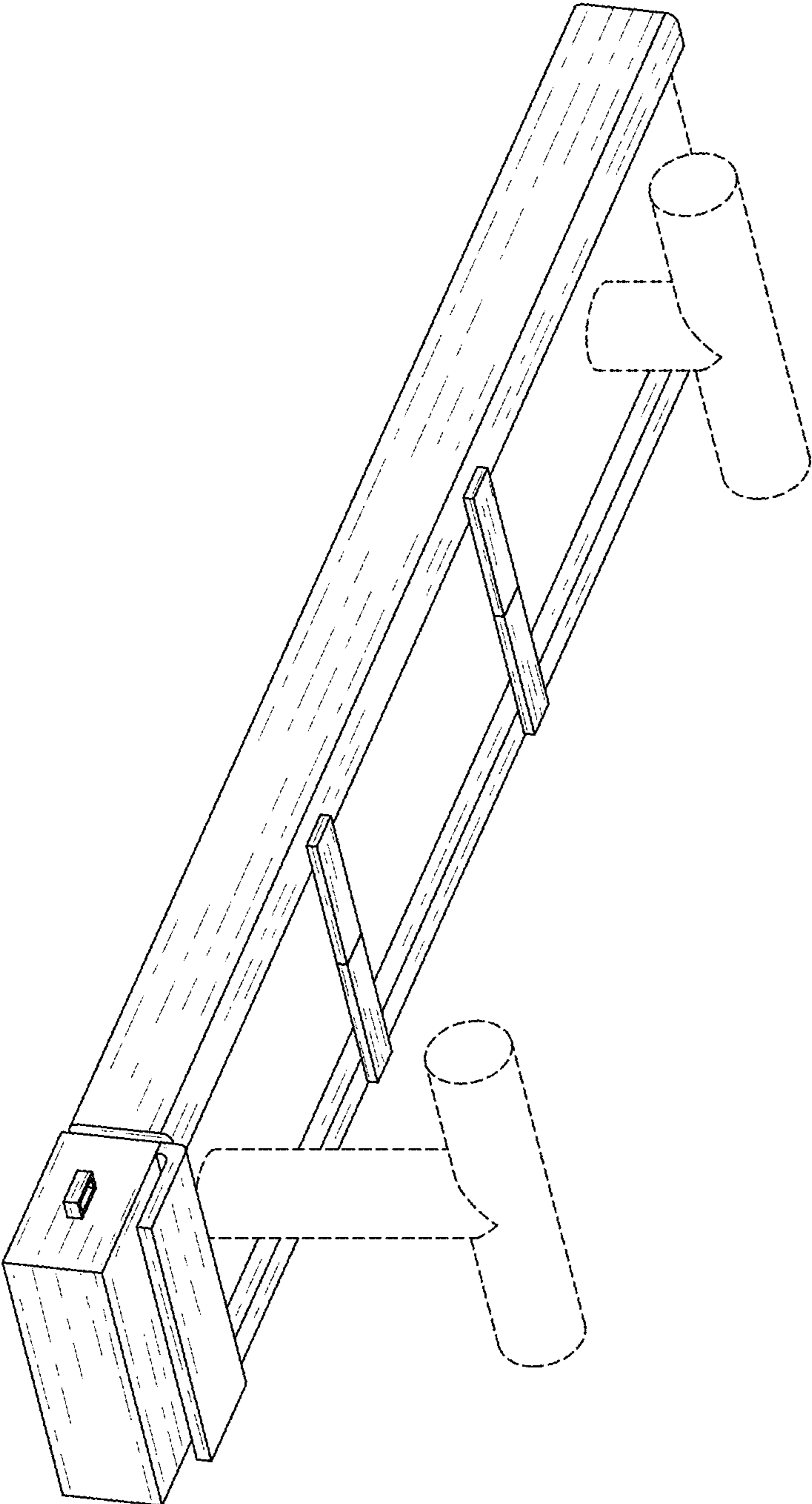


FIG 3

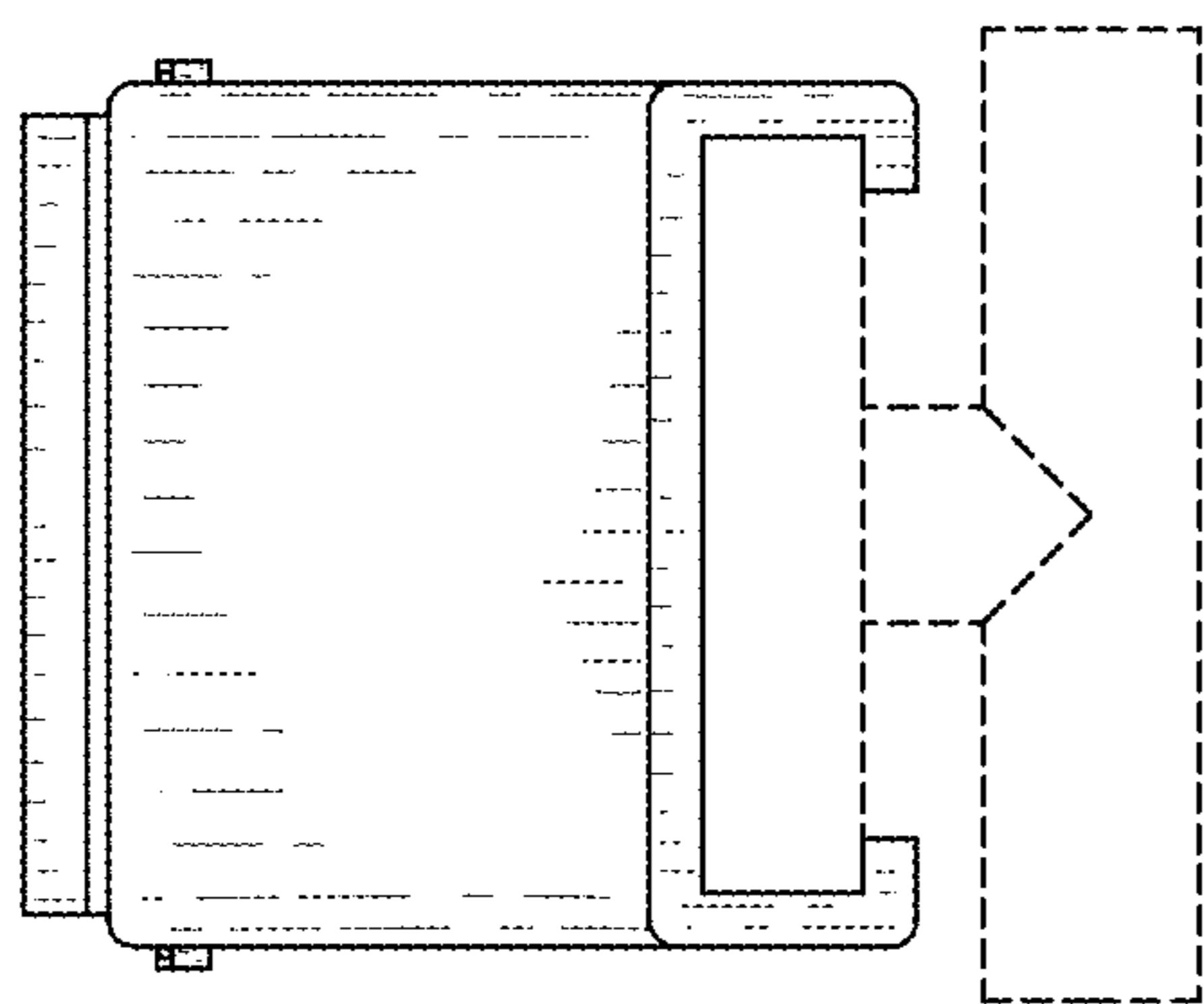


FIG 4

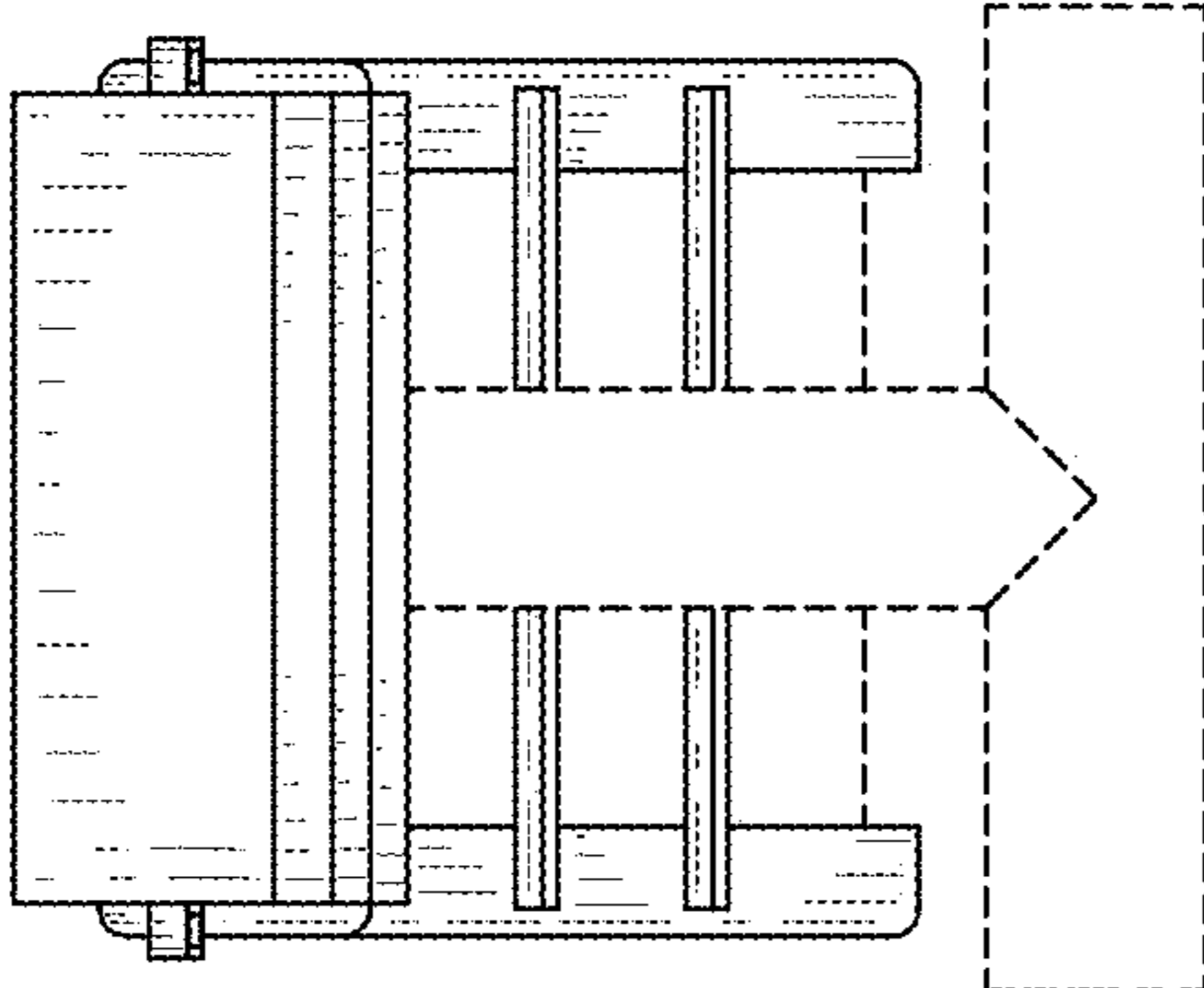


FIG 5

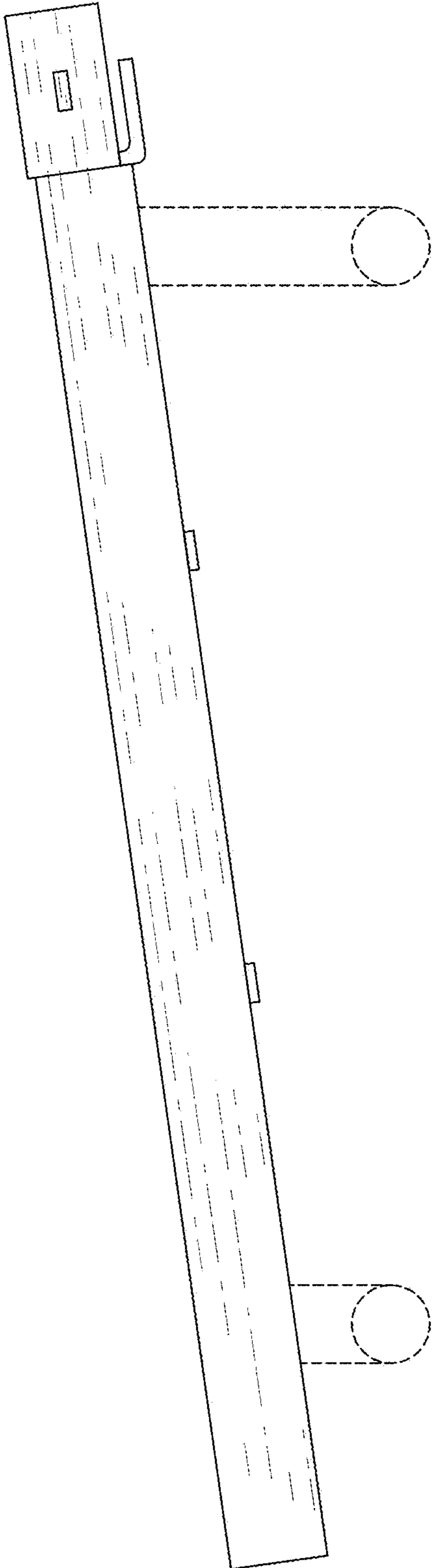


FIG 6

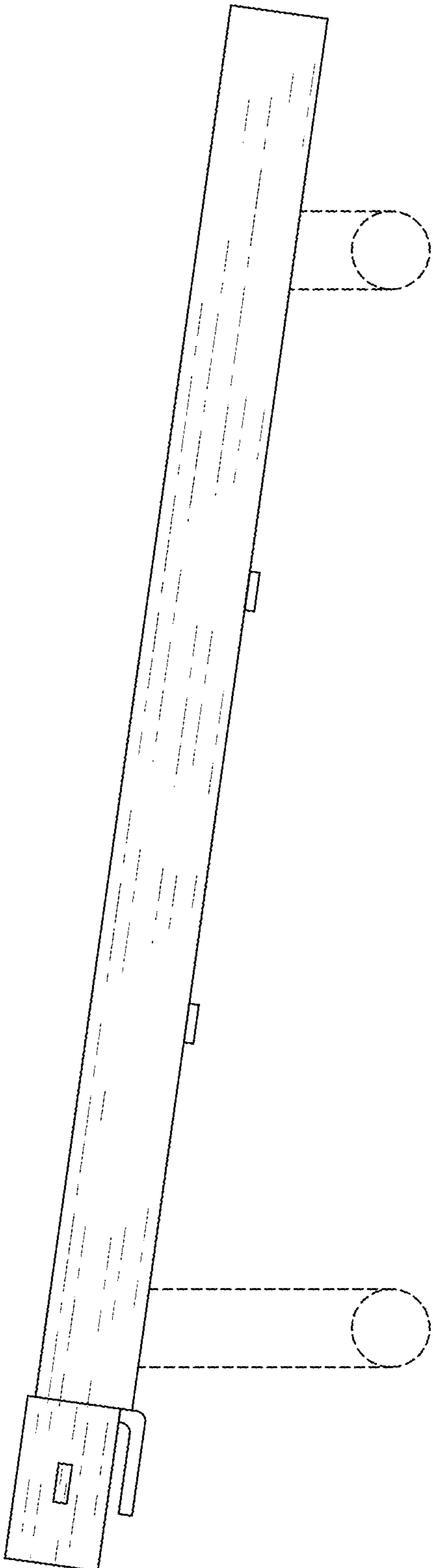


FIG 7



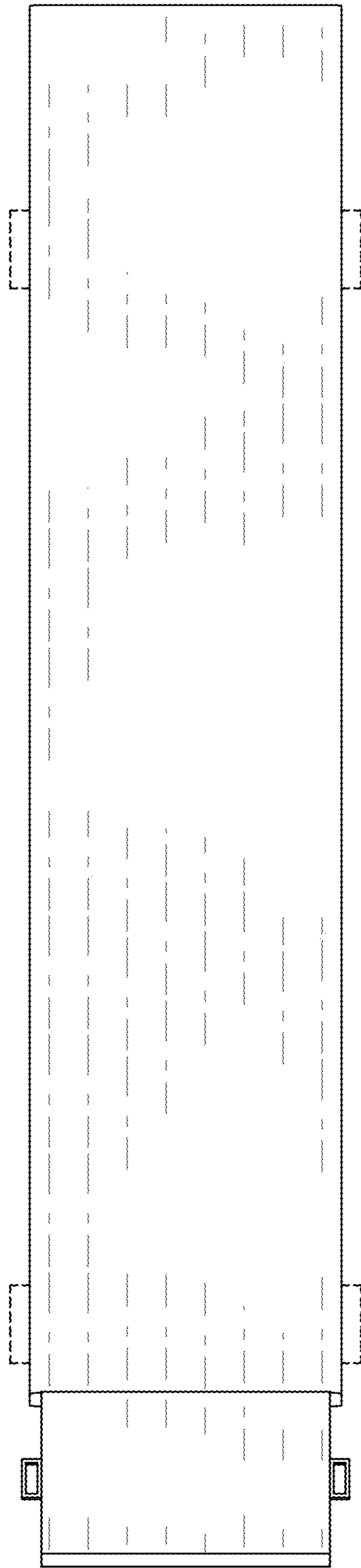


FIG 8

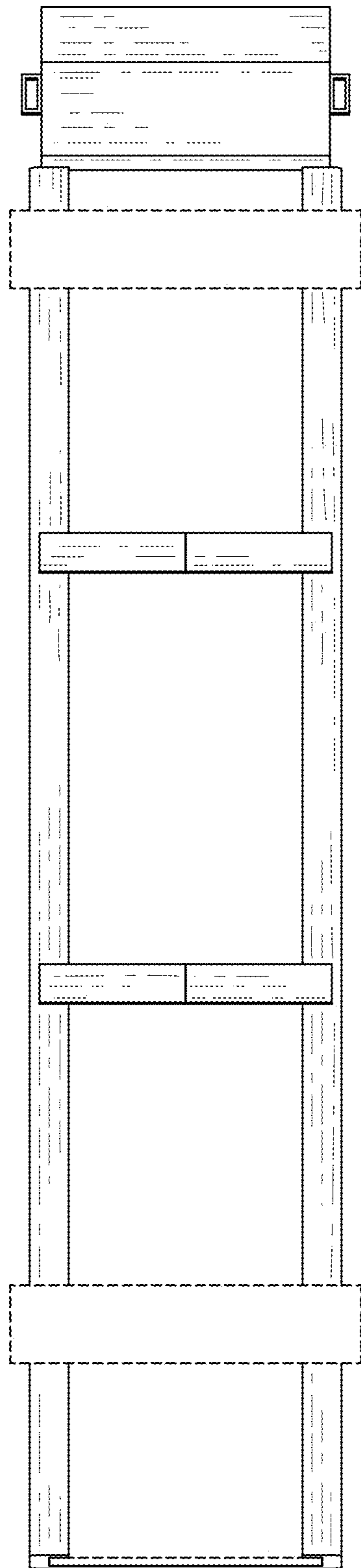


FIG 9