



US00D895322S

(12) **United States Design Patent**  
**Kim et al.**

(10) **Patent No.:** **US D895,322 S**

(45) **Date of Patent:** **\*\* Sep. 8, 2020**

(54) **COVER FOR AIR PURIFIER**

(71) Applicant: **Samsung Electronics Co., Ltd.**,  
Suwon-si (KR)

(72) Inventors: **Kang Doo Kim**, Suwon-si (KR); **Jung Ah Choi**, Suwon-si (KR); **Young Sun Shin**, Suwon-si (KR)

(73) Assignee: **Samsung Electronics Co., Ltd.**,  
Suwon-si (KR)

(\*\*) Term: **15 Years**

(21) Appl. No.: **29/678,033**

(22) Filed: **Jan. 25, 2019**

(30) **Foreign Application Priority Data**

Nov. 7, 2018 (KR) ..... 30-2018-0051378

(51) **LOC (12) Cl.** ..... **06-13**

(52) **U.S. Cl.**  
USPC ..... **D6/610**

(58) **Field of Classification Search**  
USPC ..... D6/582, 588, 608, 610, 611, 596, 601,  
D6/602, 603, 615, 617, 621; D12/203;  
(Continued)

(56) **References Cited**

U.S. PATENT DOCUMENTS

5,156,662 A \* 10/1992 Downing ..... B01D 46/10  
55/493  
6,221,120 B1 \* 4/2001 Bennington ..... B01D 46/10  
55/385.1

(Continued)

FOREIGN PATENT DOCUMENTS

EM 000859145-0001 2/2008  
EM 000859145-0003 2/2008

(Continued)

OTHER PUBLICATIONS

<<https://www.samsung.com/us/home-appliances/air-purifiers/cube-air-purifier/cube-air-purifier-with-wind-free-air-purification-in-white-ax300t9080w-aa/>> (Year: 2020).\*

*Primary Examiner* — Cynthia Ramirez

*Assistant Examiner* — Xavier Marti-Santos

(74) *Attorney, Agent, or Firm* — NSIP Law

(57) **CLAIM**

We claim the ornamental design for a cover for air purifier, as shown and described.

**DESCRIPTION**

FIG. 1 is a top perspective view of a first embodiment of a cover for air purifier showing our new design;

FIG. 2 is a front view thereof;

FIG. 3 is a rear view thereof;

FIG. 4 is a left-side view thereof;

FIG. 5 is a right-side view thereof;

FIG. 6 is a top view thereof;

FIG. 7 is a bottom view thereof;

FIG. 8 is an enlarged view of the encircled portion 8 in FIG. 1;

FIG. 9 is an enlarged view of the encircled portion 9 in FIG. 1;

FIG. 10 is another top perspective view thereof with the central circle in an open position;

FIG. 11 is another top perspective view thereof showing the cover for air purifier attached to an example air purifier;

FIG. 12 is an enlarged view of the encircled portion 12 in FIG. 11;

FIG. 13 is a top perspective view of a second embodiment of a cover for air purifier showing our new design;

FIG. 14 is a front view thereof;

FIG. 15 is a rear view thereof;

FIG. 16 is a left-side view thereof;

FIG. 17 is a right-side view thereof;

FIG. 18 is a top view thereof;

FIG. 19 is a bottom view thereof;

FIG. 20 is an enlarged view of the encircled portion 20 in FIG. 13;

(Continued)

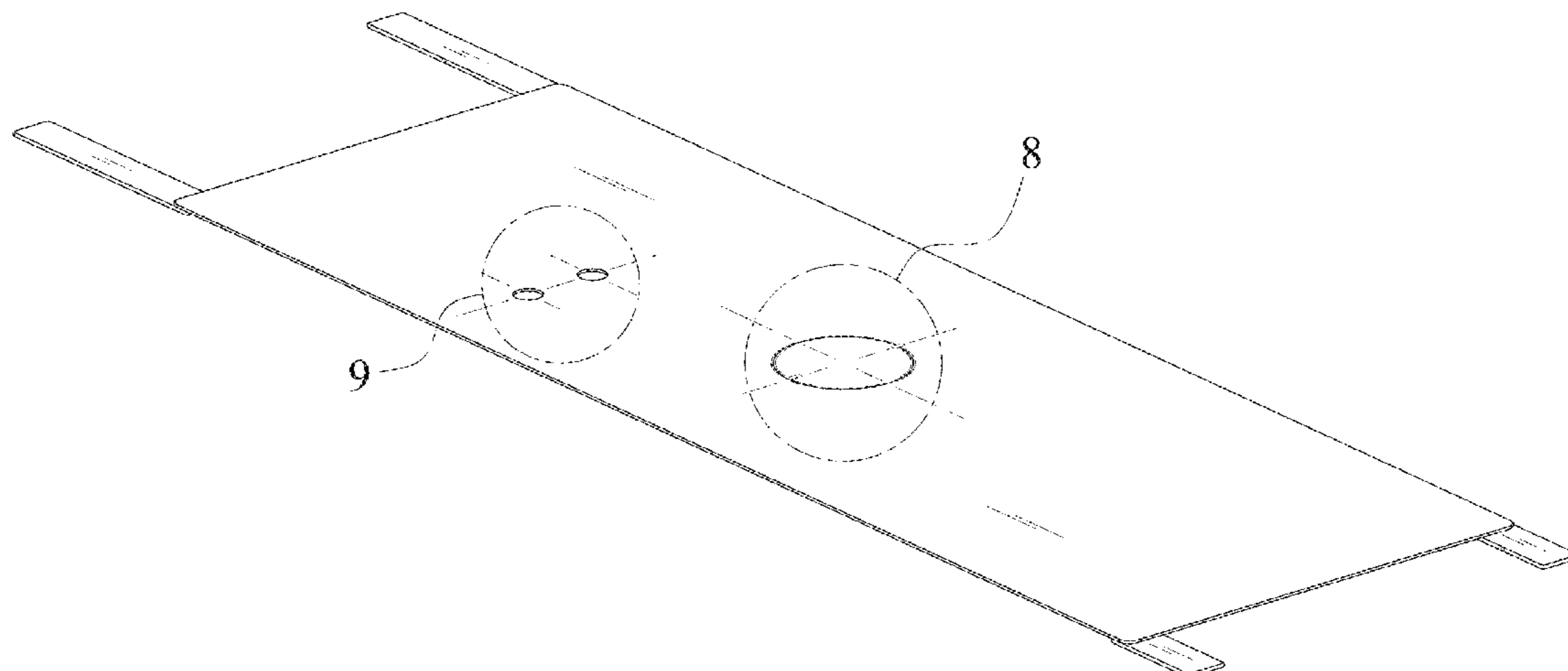


FIG. 21 is a top perspective view of a third embodiment of a cover for air purifier showing our new design;  
 FIG. 22 is a front view thereof;  
 FIG. 23 is a rear view thereof;  
 FIG. 24 is a left-side view thereof;  
 FIG. 25 is a right-side view thereof;  
 FIG. 26 is a top view thereof;  
 FIG. 27 is a bottom view thereof; and,  
 FIG. 28 is another top perspective view thereof with the central circle in an open position.  
 The evenly-dashed broken lines in the figures show portions of the cover for air purifier which form no part of the claimed design.  
 The dot-dash broken lines encircling portions of the claimed design that are illustrated in enlargements form no part of the claimed design.

**1 Claim, 28 Drawing Sheets**

(58) **Field of Classification Search**

USPC ..... D23/332, 333, 335, 336, 342, 351,  
 D23/355-366, 369  
 CPC ..... B60P 7/04; E04H 15/00; F28F 2265/02;  
 A47C 27/001; A47C 27/002; A47C  
 31/10; A47C 31/11; A47C 31/113; A47C

31/116; A47C 4/28; B60N 2/58; B60N  
 2/6009; D05B 73/00; D05B 77/00; A63B  
 21/4037

See application file for complete search history.

(56)

**References Cited**

U.S. PATENT DOCUMENTS

D572,517 S	7/2008	Lerma et al.	
7,547,341 B2 *	6/2009	Sandberg .....	B01D 46/0005 55/491
D646,517 S *	10/2011	Noonan .....	D6/582
D691,833 S *	10/2013	Wagner .....	D6/610
D740,590 S *	10/2015	Obrentz .....	D6/582
10,145,570 B2 *	12/2018	Johnson .....	F24F 1/58
10,252,104 B2 *	4/2019	Polenz .....	A63B 21/00047
D862,674 S *	10/2019	Shin .....	D23/364
D862,675 S *	10/2019	Shin .....	D23/364
D863,524 S *	10/2019	Shin .....	D23/364
D877,305 S *	3/2020	Shin .....	D23/364
D877,875 S *	3/2020	Shin .....	D23/364
D878,531 S *	3/2020	Shin .....	D23/364
D878,532 S *	3/2020	Shin .....	D23/364

FOREIGN PATENT DOCUMENTS

EM	000859145-0004	2/2008
KR	30-2018-0000732	8/2018

\* cited by examiner

FIG. 1

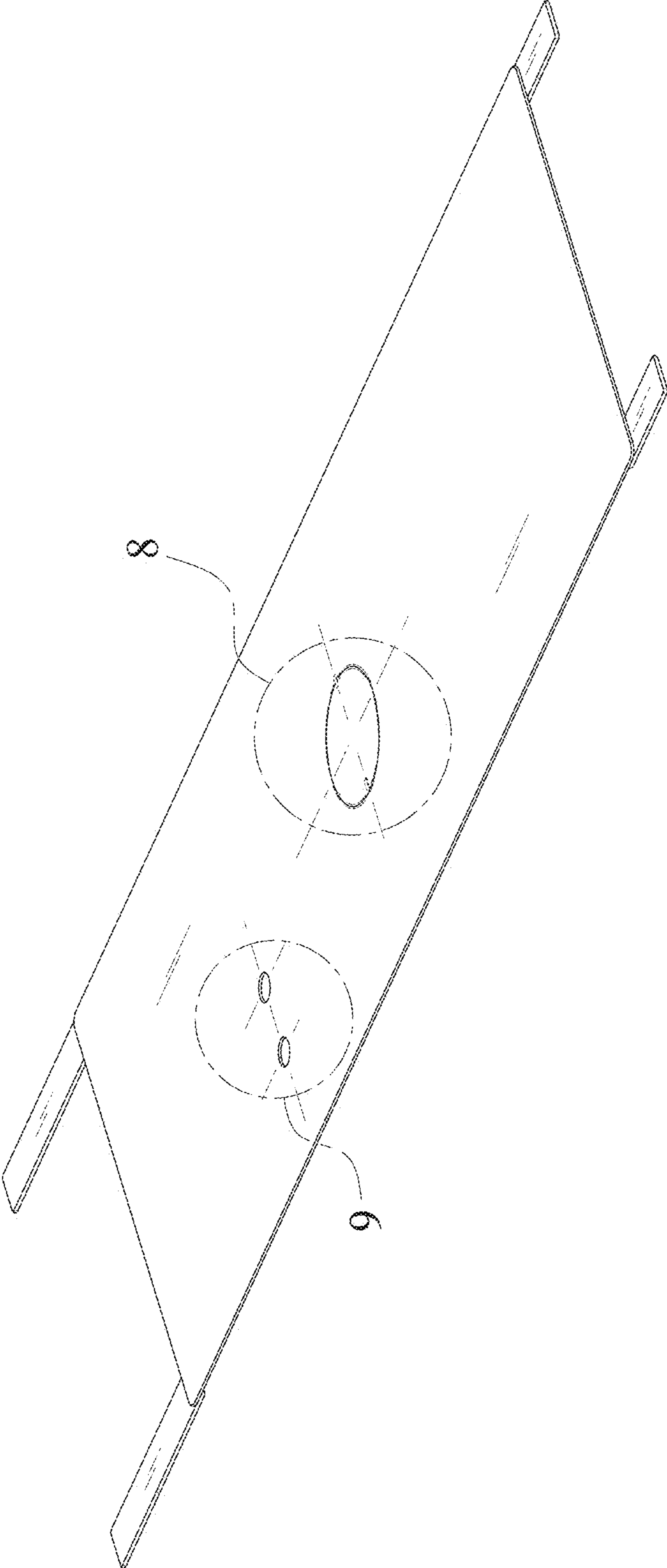


FIG. 2

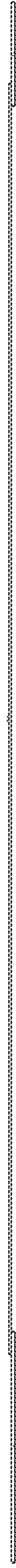


FIG. 3

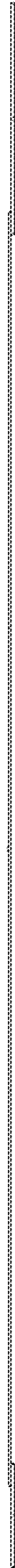


FIG. 4



FIG. 5



FIG. 6

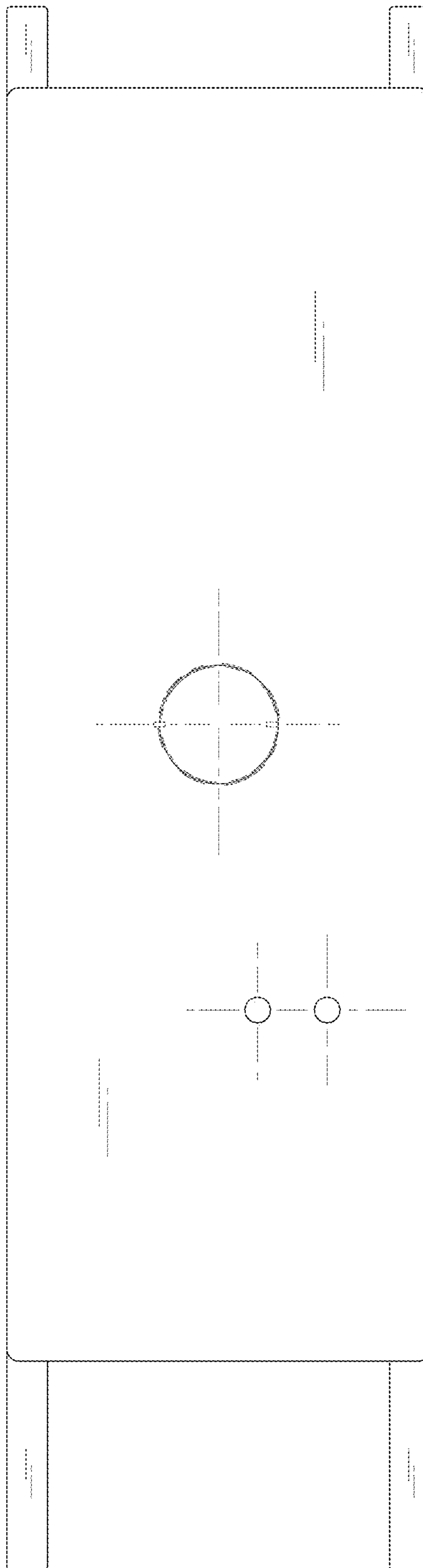




FIG. 7

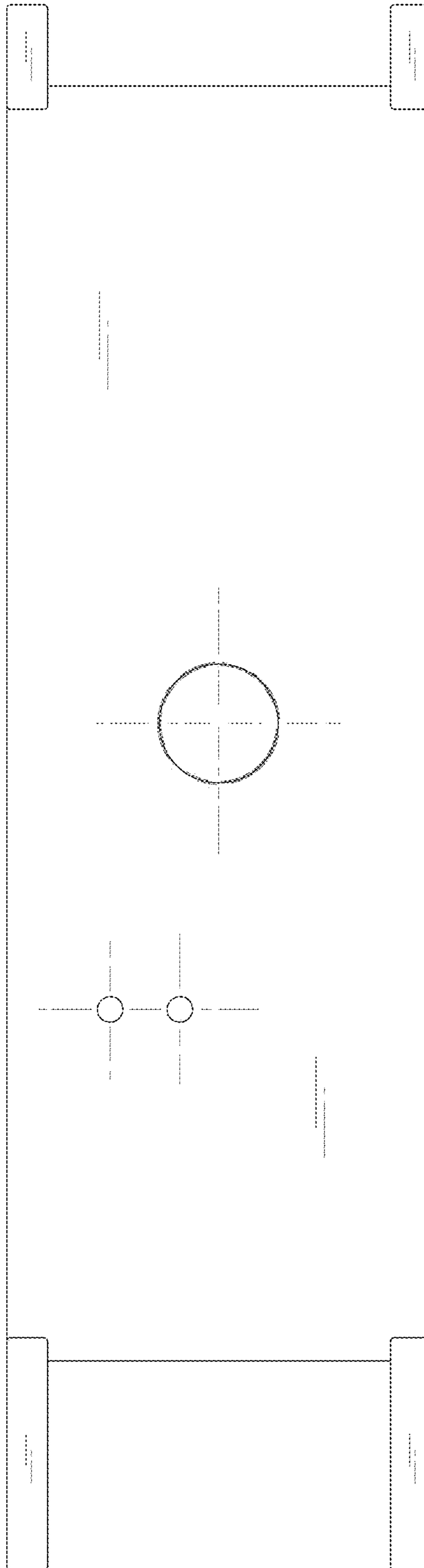


FIG. 8

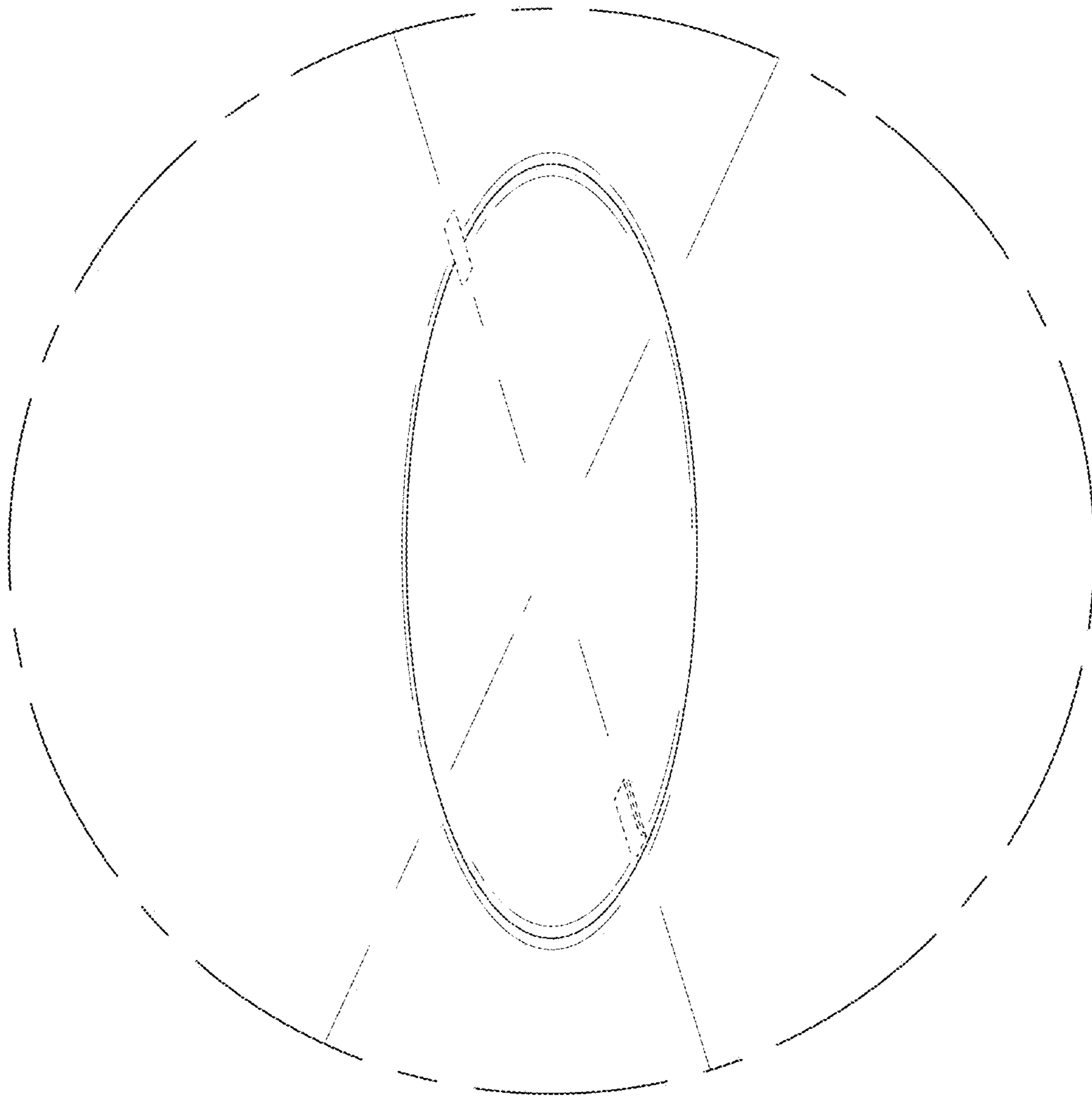


FIG. 9

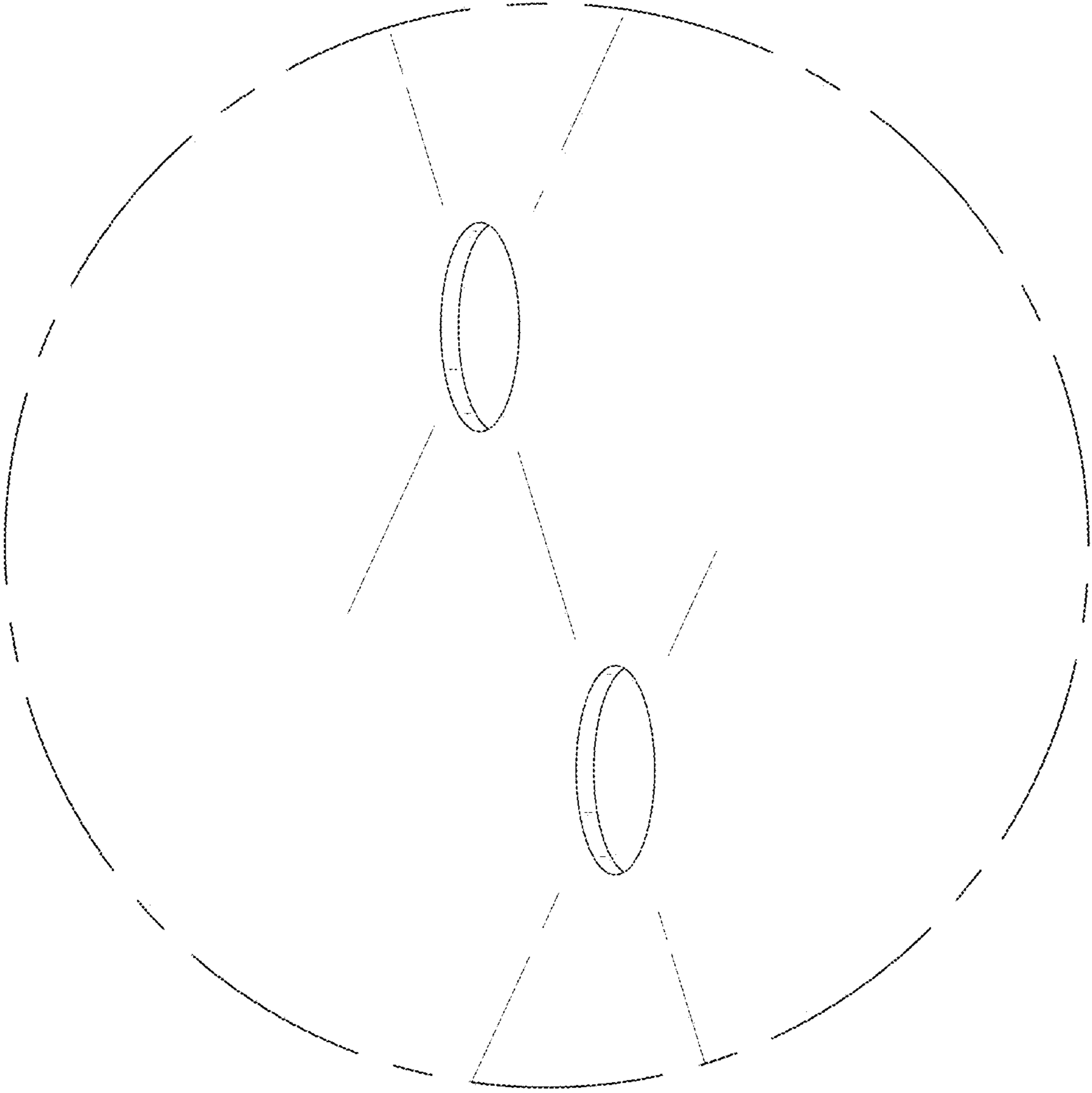


FIG. 10

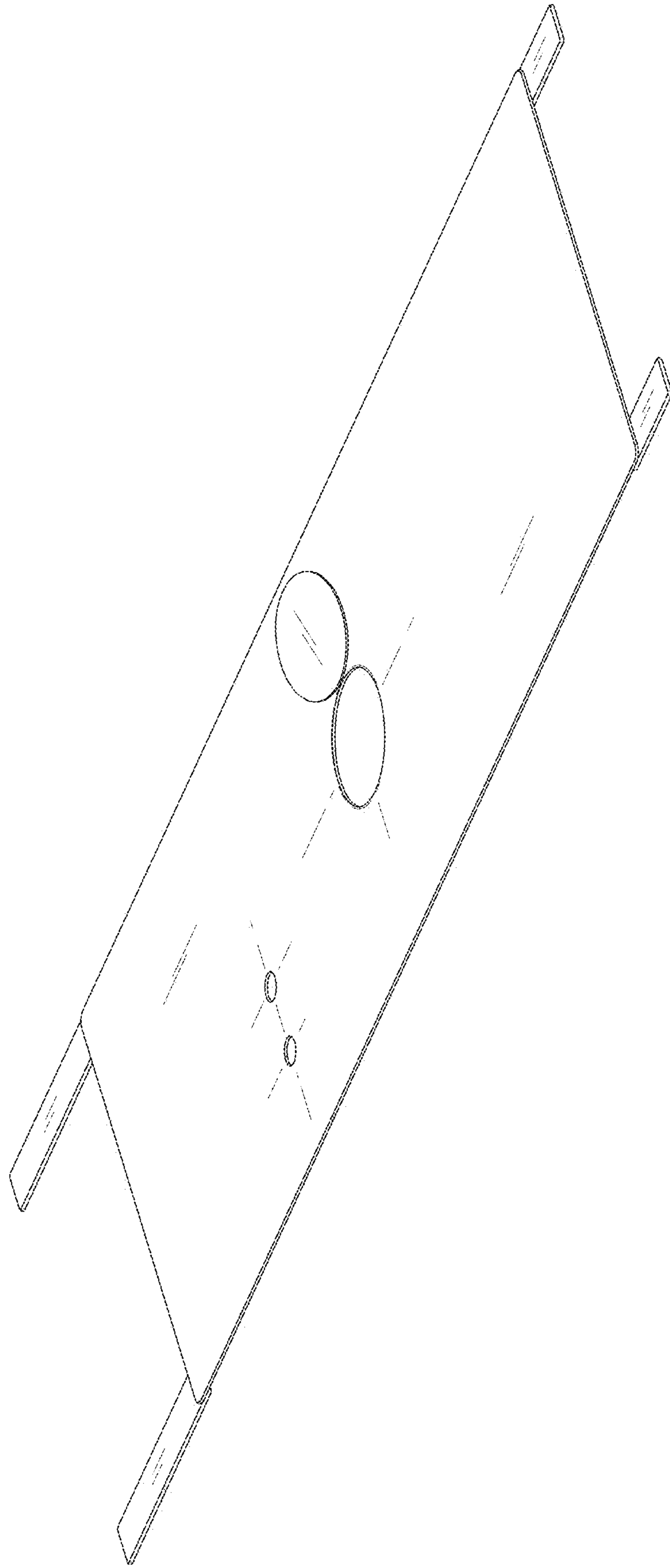


FIG. 11

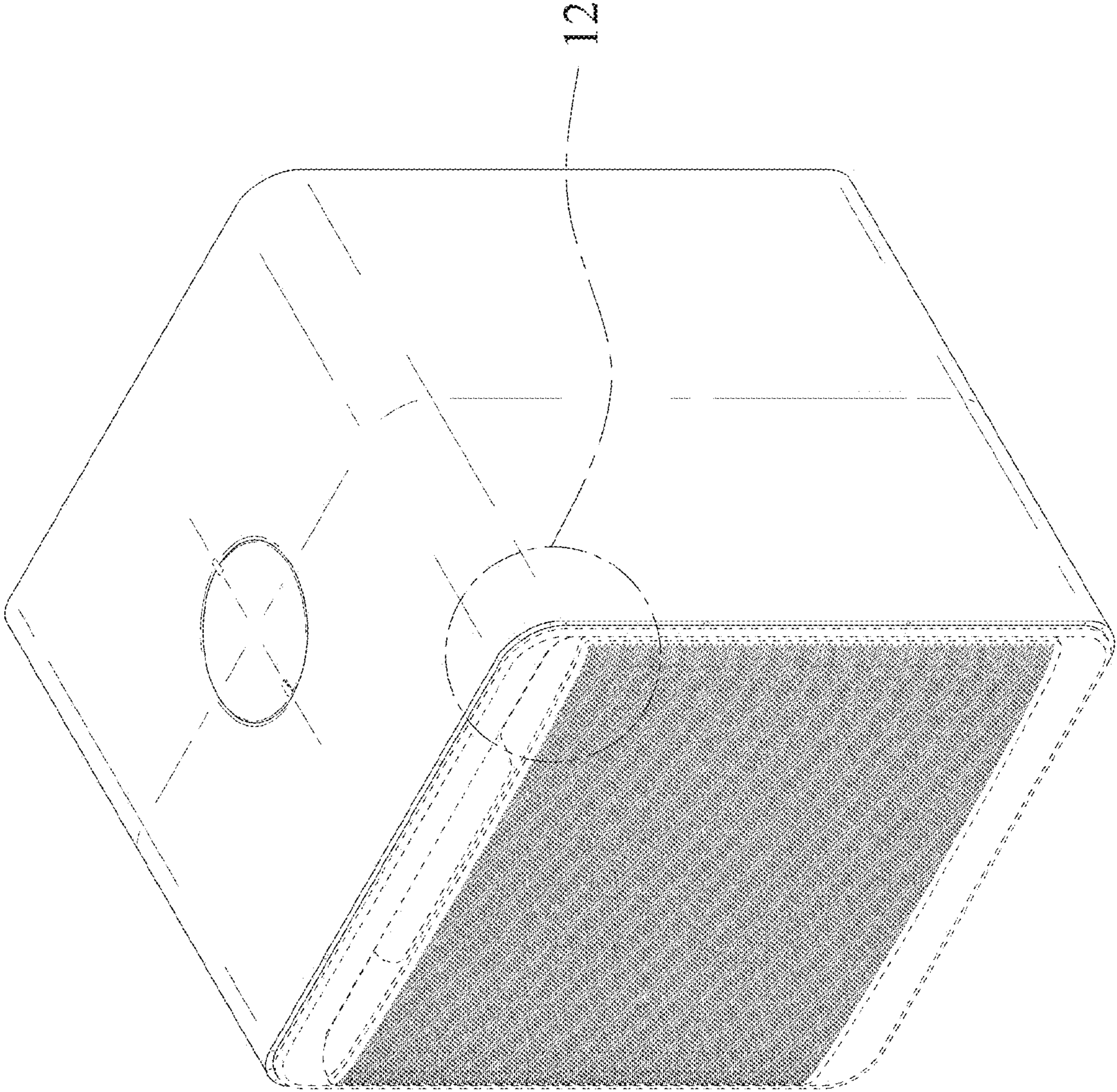




FIG. 12

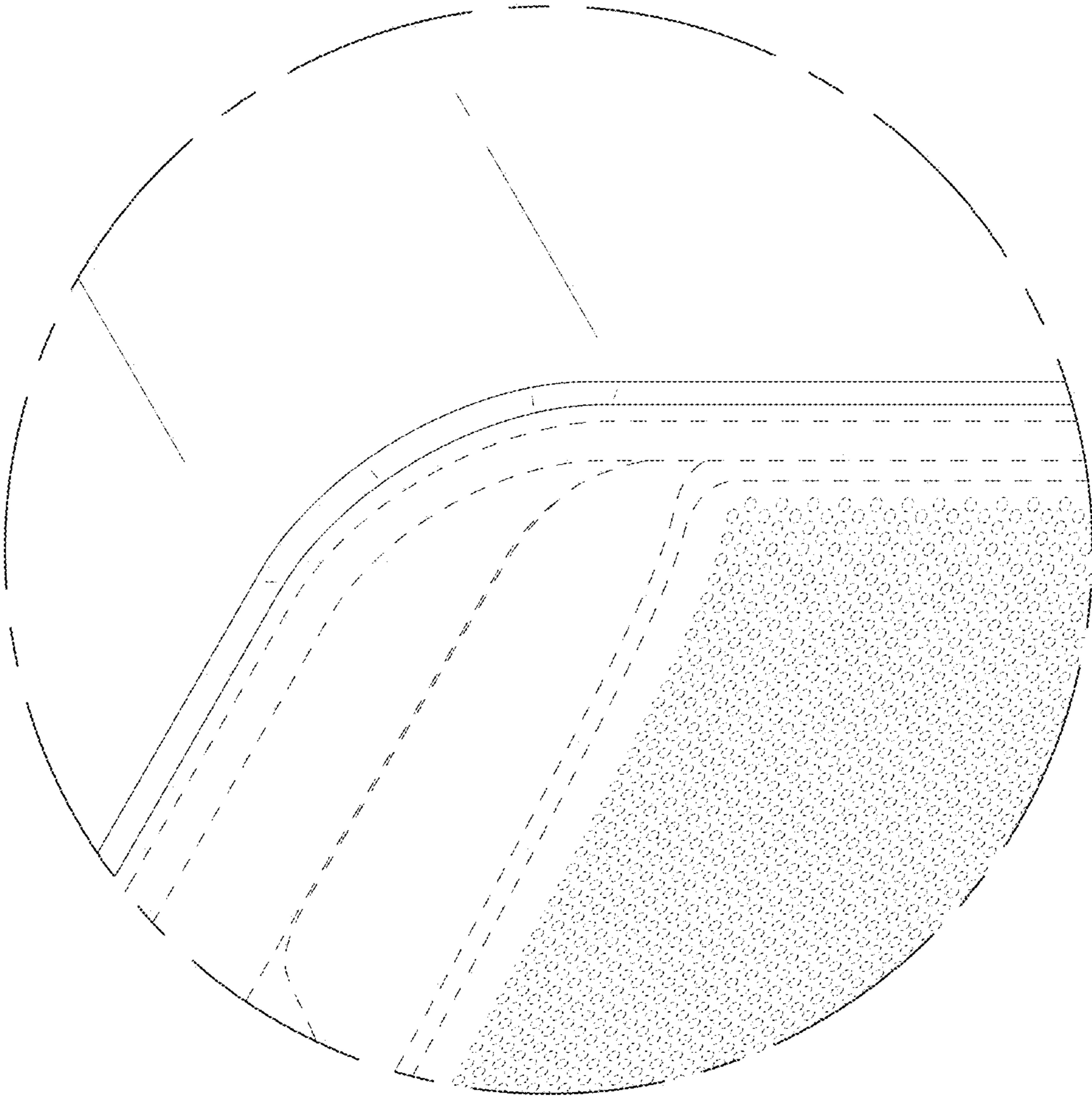


FIG. 13

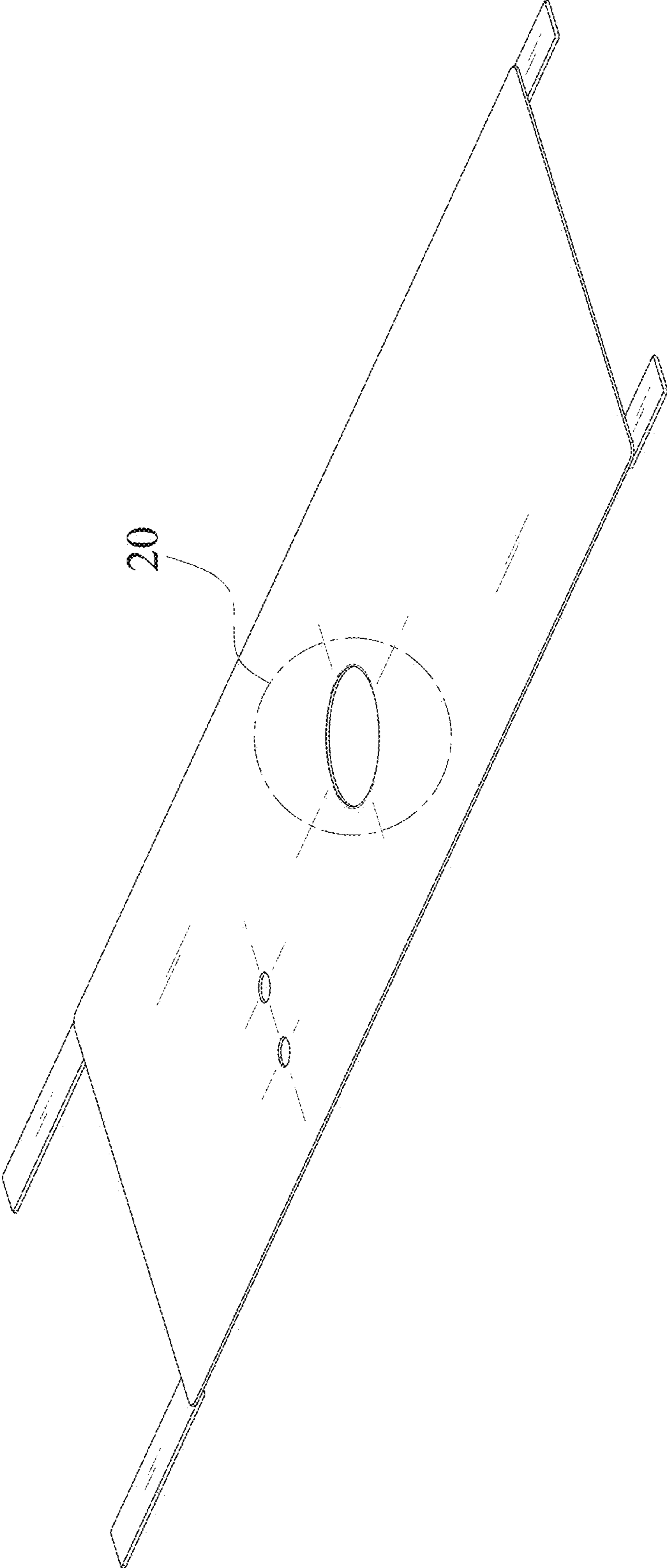


FIG. 14

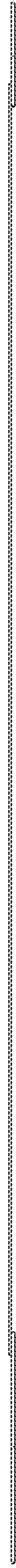




FIG. 15

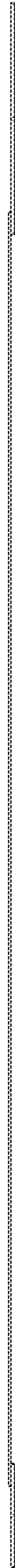


FIG. 16



FIG. 17



FIG. 18

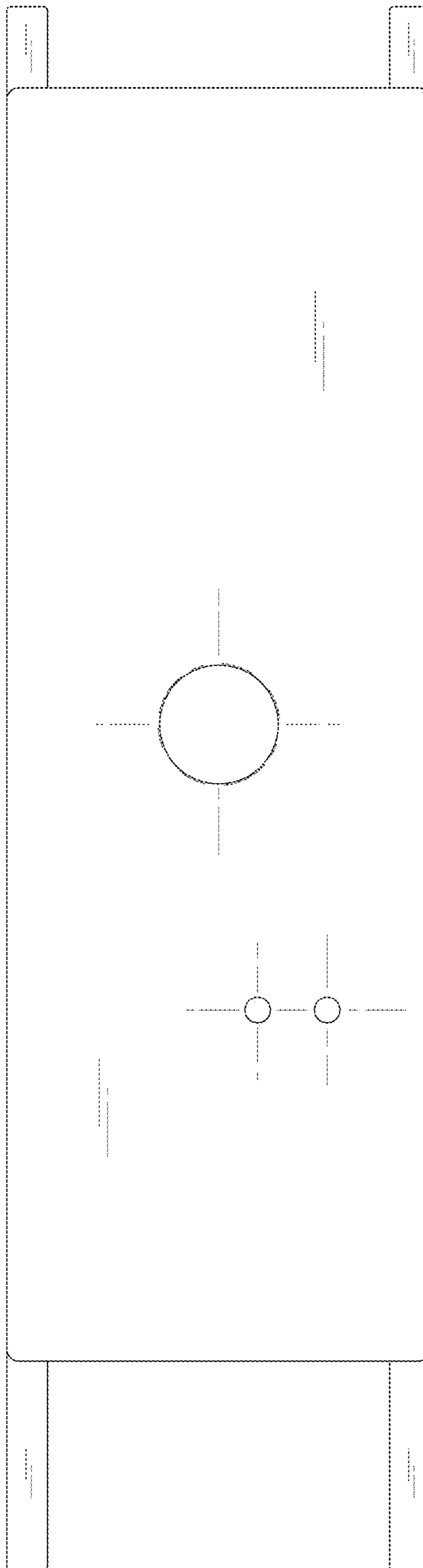


FIG. 19

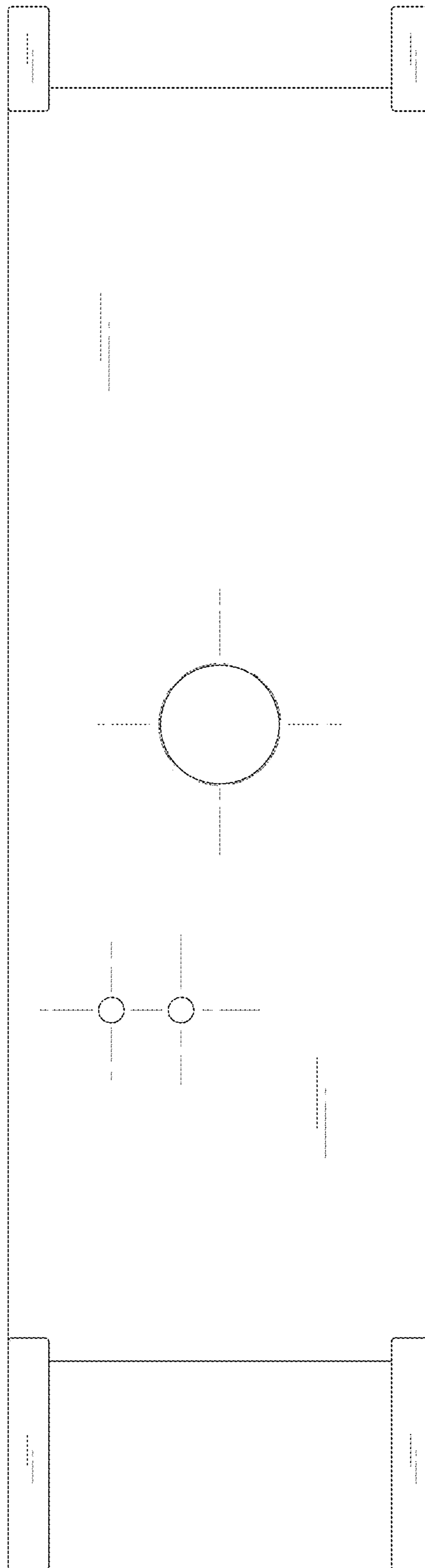


FIG. 20

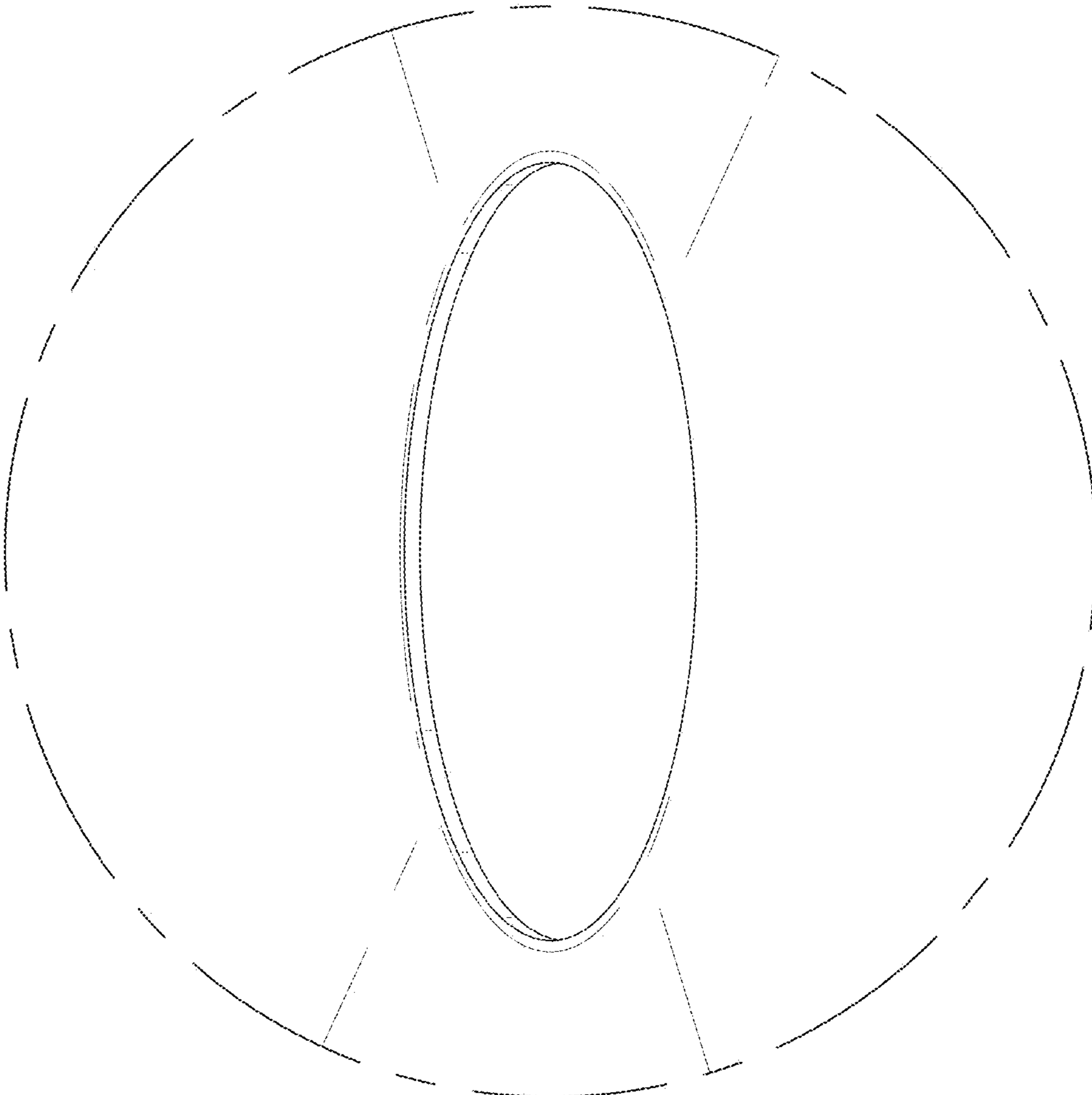


FIG. 21

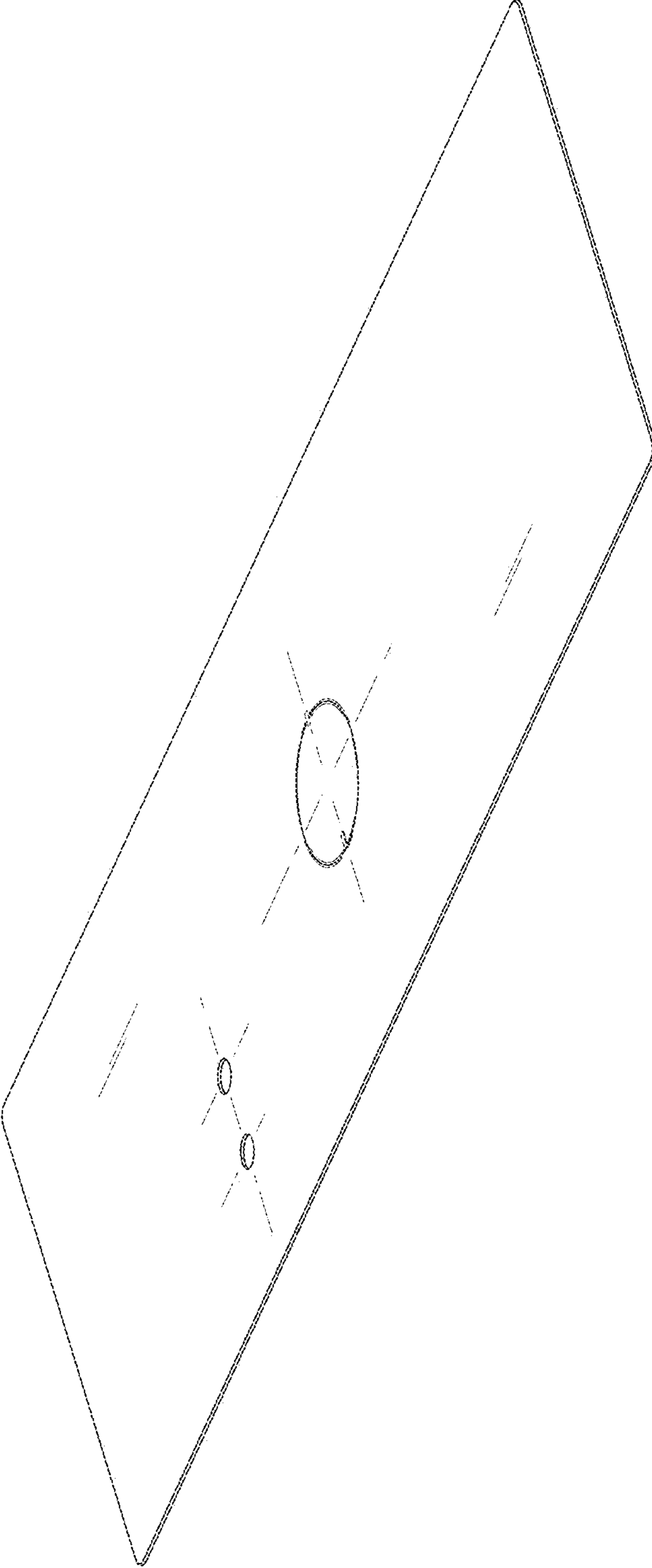


FIG. 22





FIG. 23



FIG. 24



FIG. 25



FIG. 26

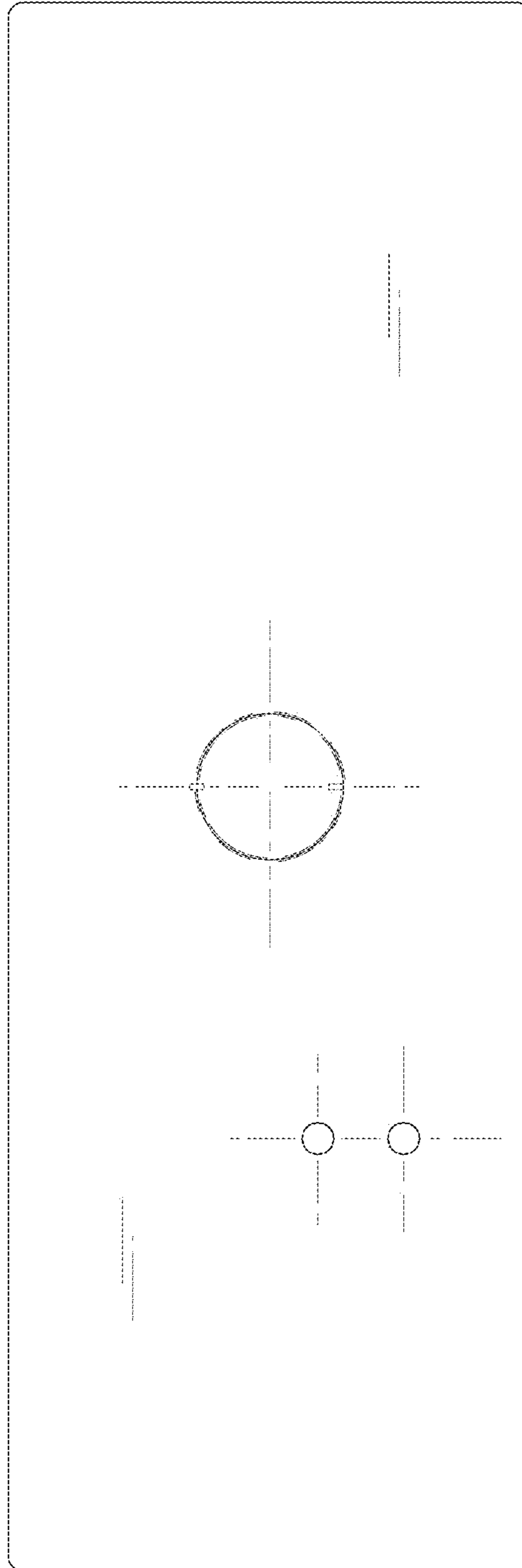


FIG. 27

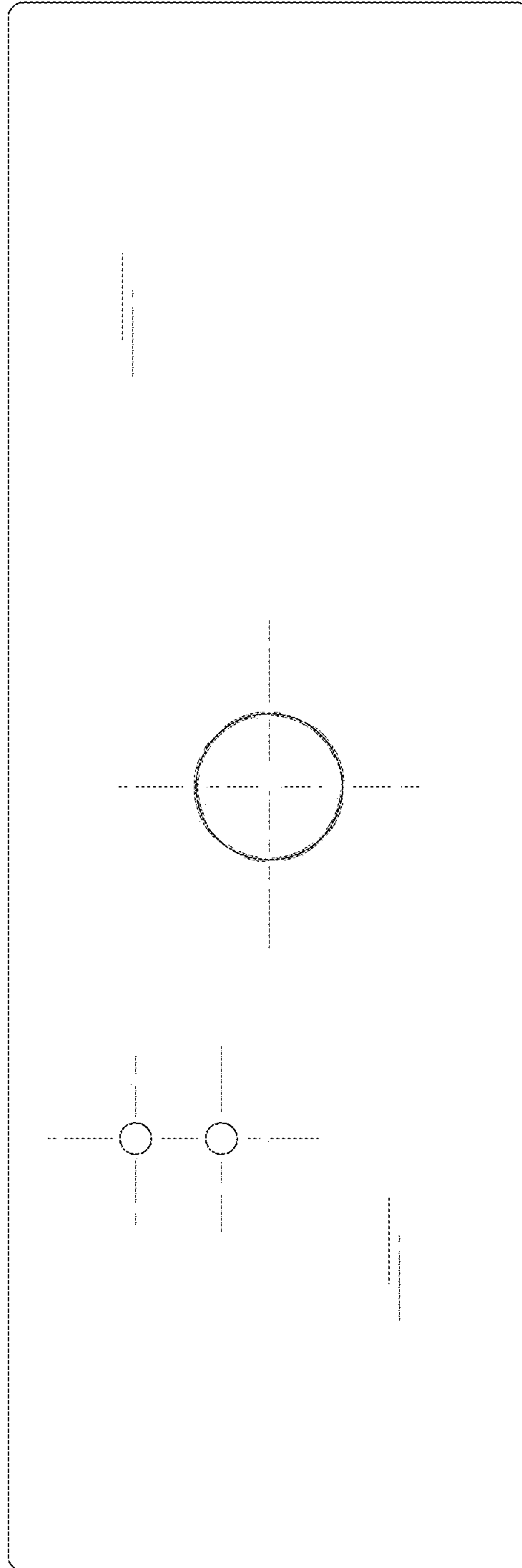


FIG. 28

